



US00D410798S

United States Patent [19]
Geier et al.

[11] **Patent Number: Des. 410,798**
[45] **Date of Patent: ** Jun. 8, 1999**

[54] **STOOL**
[75] Inventors: **James Geier; Jim Jobes**, both of
Chicago, Ill.
[73] Assignee: **555 Design Fabrication Management,
Inc.**, Chicago, Ill.
[**] Term: **14 Years**
[21] Appl. No.: **29/074,477**
[22] Filed: **Jul. 31, 1997**
[51] **LOC (6) Cl.** **06-01**
[52] **U.S. Cl.** **D6/360**
[58] **Field of Search** D6/334, 335, 336,
D6/360, 364, 365, 500, 501, 502; 297/423.21

D. 261,575 11/1981 Fear D6/360
D. 275,242 8/1984 Stephens D6/360
D. 277,432 2/1985 Appel et al. D6/364
D. 313,896 1/1991 Kaye D6/365
D. 340,141 10/1993 Chapman D6/364

Primary Examiner—Gary D. Watson
Attorney, Agent, or Firm—Edward J. Chalfie

[57] **CLAIM**

The ornamental design for a stool, as shown and described.

DESCRIPTION

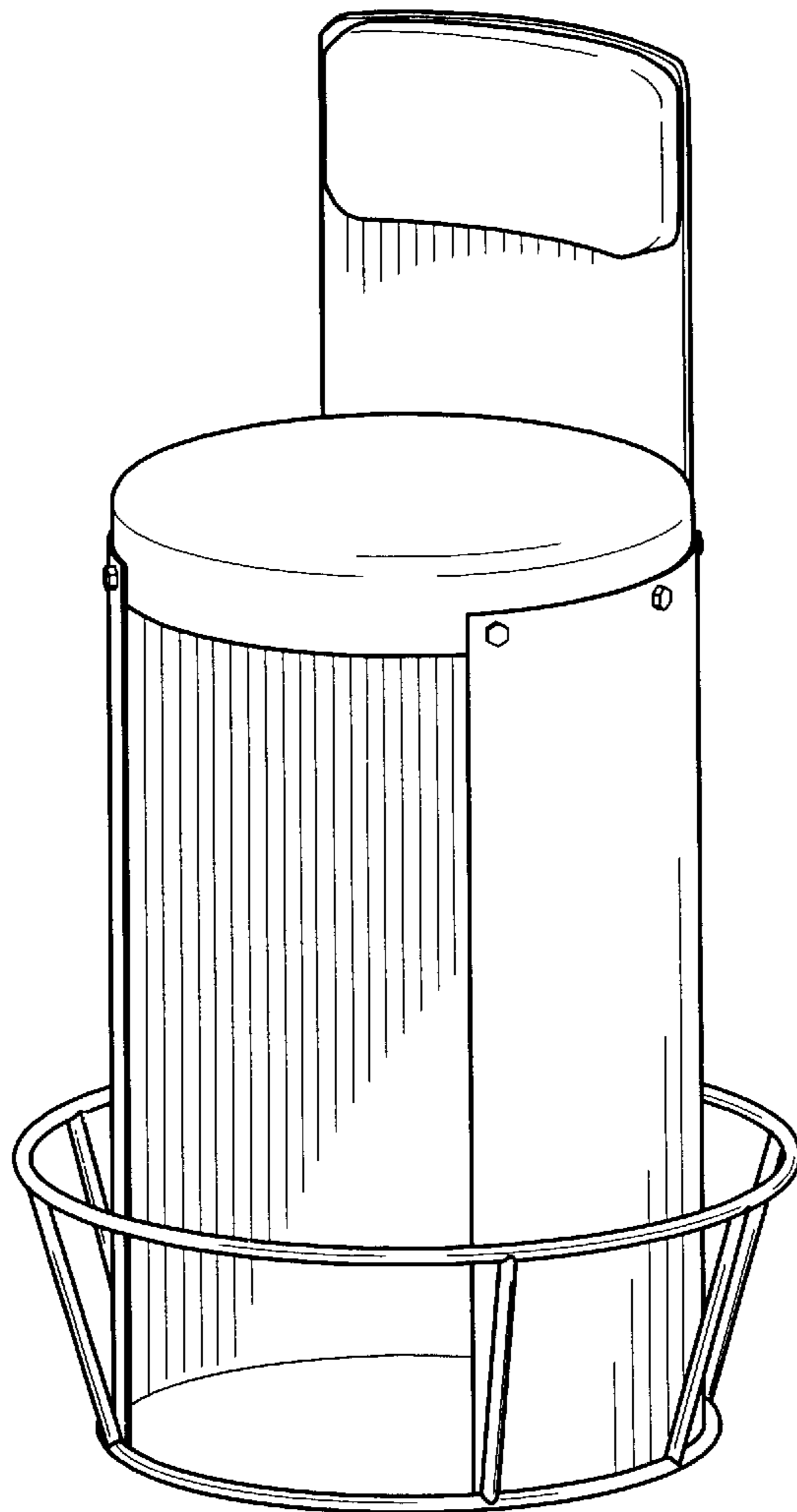
FIG. 1 is a general perspective view of the stool embodying the present invention;
FIG. 2 is a front elevation of the stool shown in FIG. 1;
FIG. 3 is a rear elevational view of the stool shown in FIG. 1;
FIG. 4 is a left side elevational view of the stool shown in FIG. 1, the right side being a mirror image thereof; and,
FIG. 5 is a top plan view of the stool shown in FIG. 1.
The bottom of the stool forms no part of the claimed design.

[56] **References Cited**

U.S. PATENT DOCUMENTS

D. 82,161 9/1930 Kolker D6/364
D. 215,429 9/1969 Sickler D6/360
D. 216,257 12/1969 Salsgiver D6/360

1 Claim, 3 Drawing Sheets



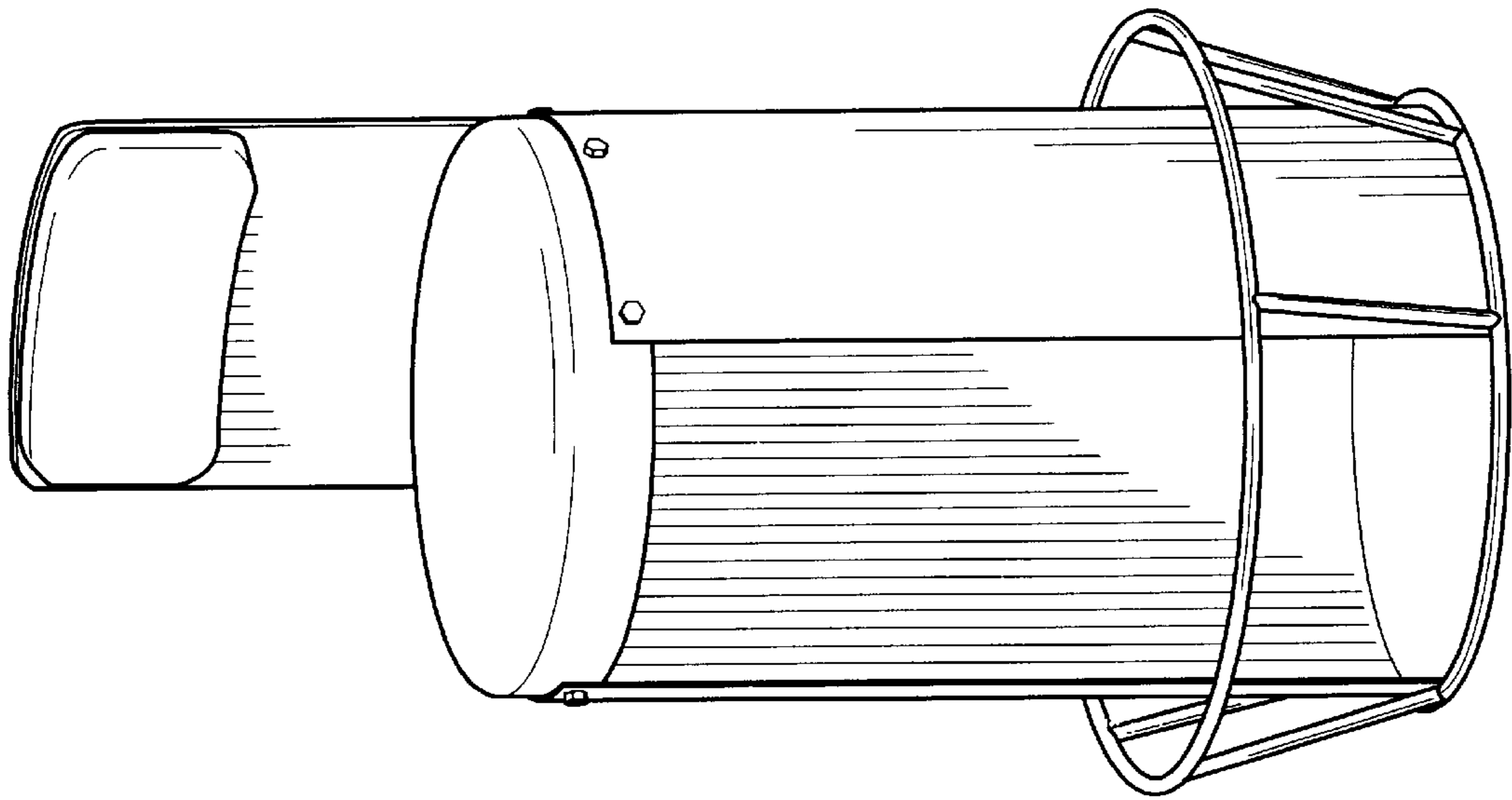


FIG. 1

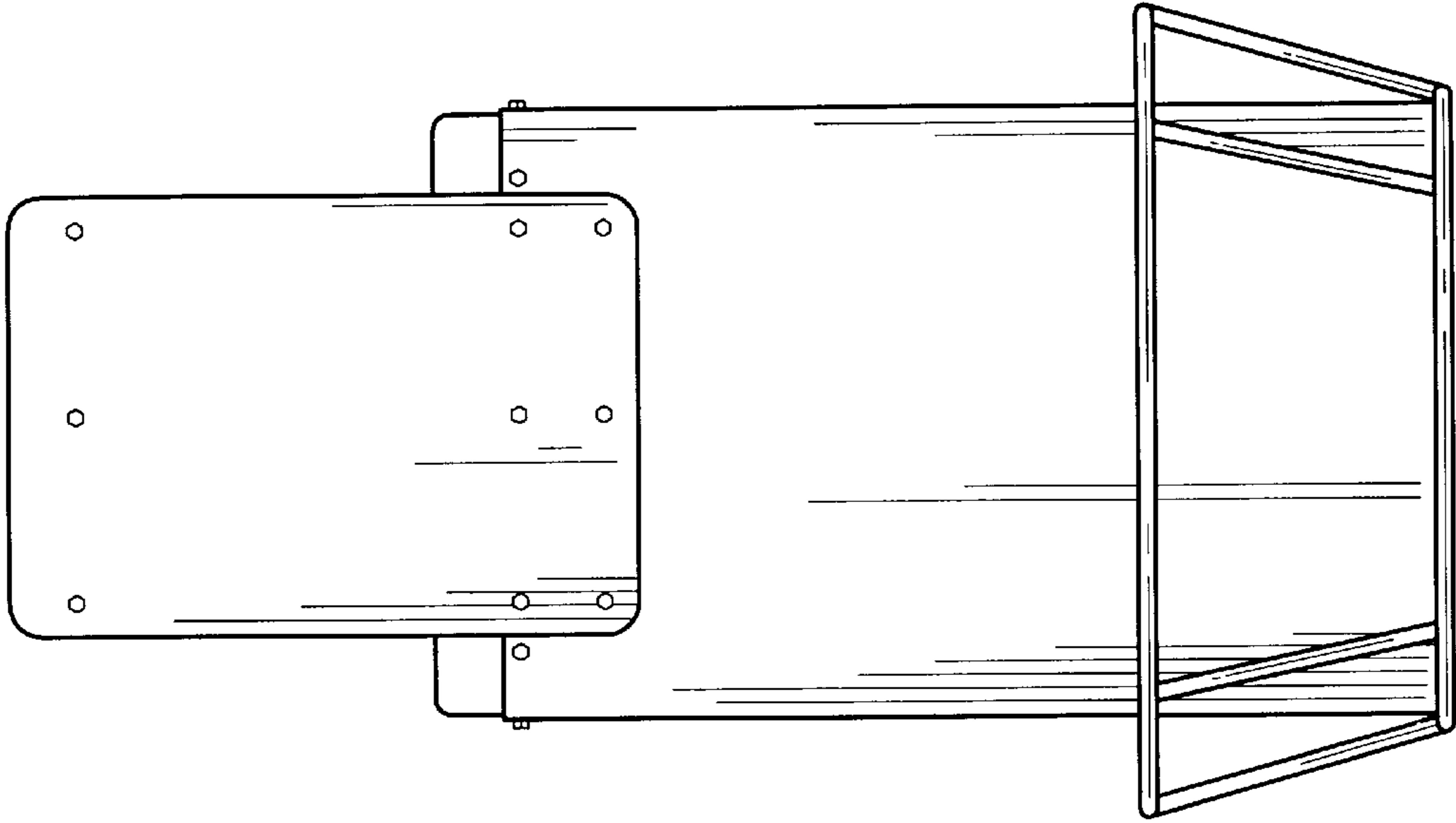


FIG. 3

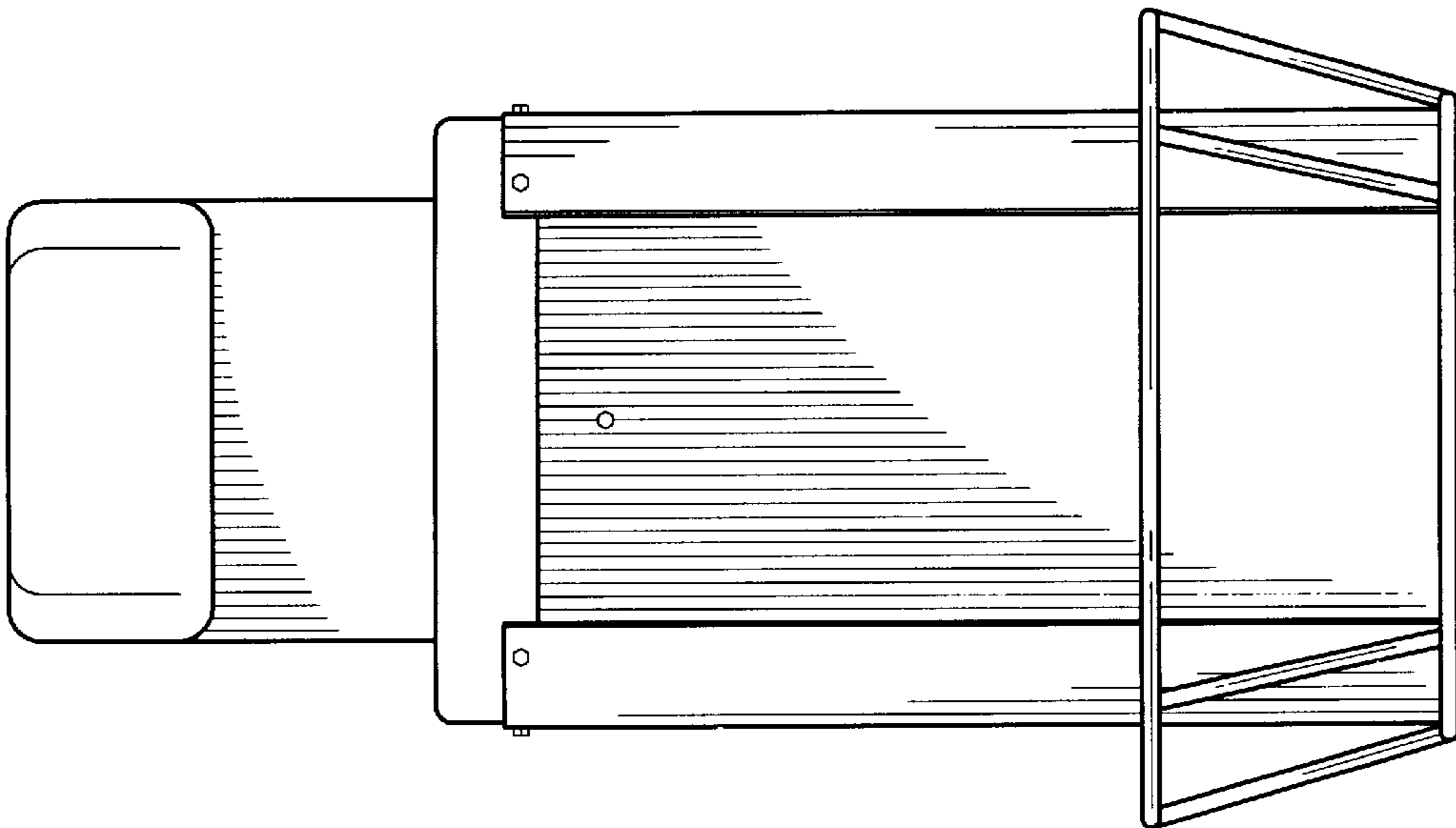


FIG. 2

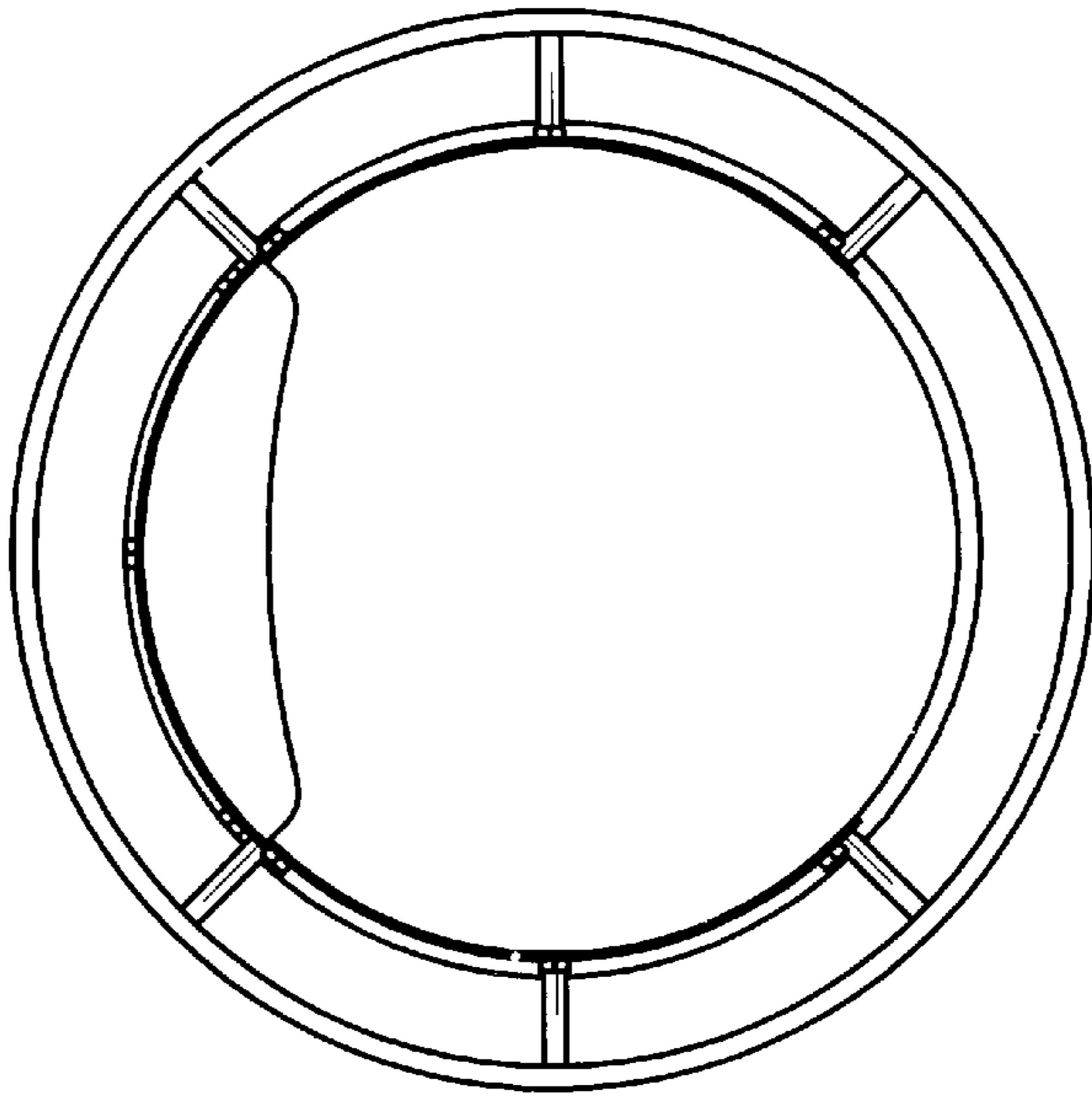


FIG. 5

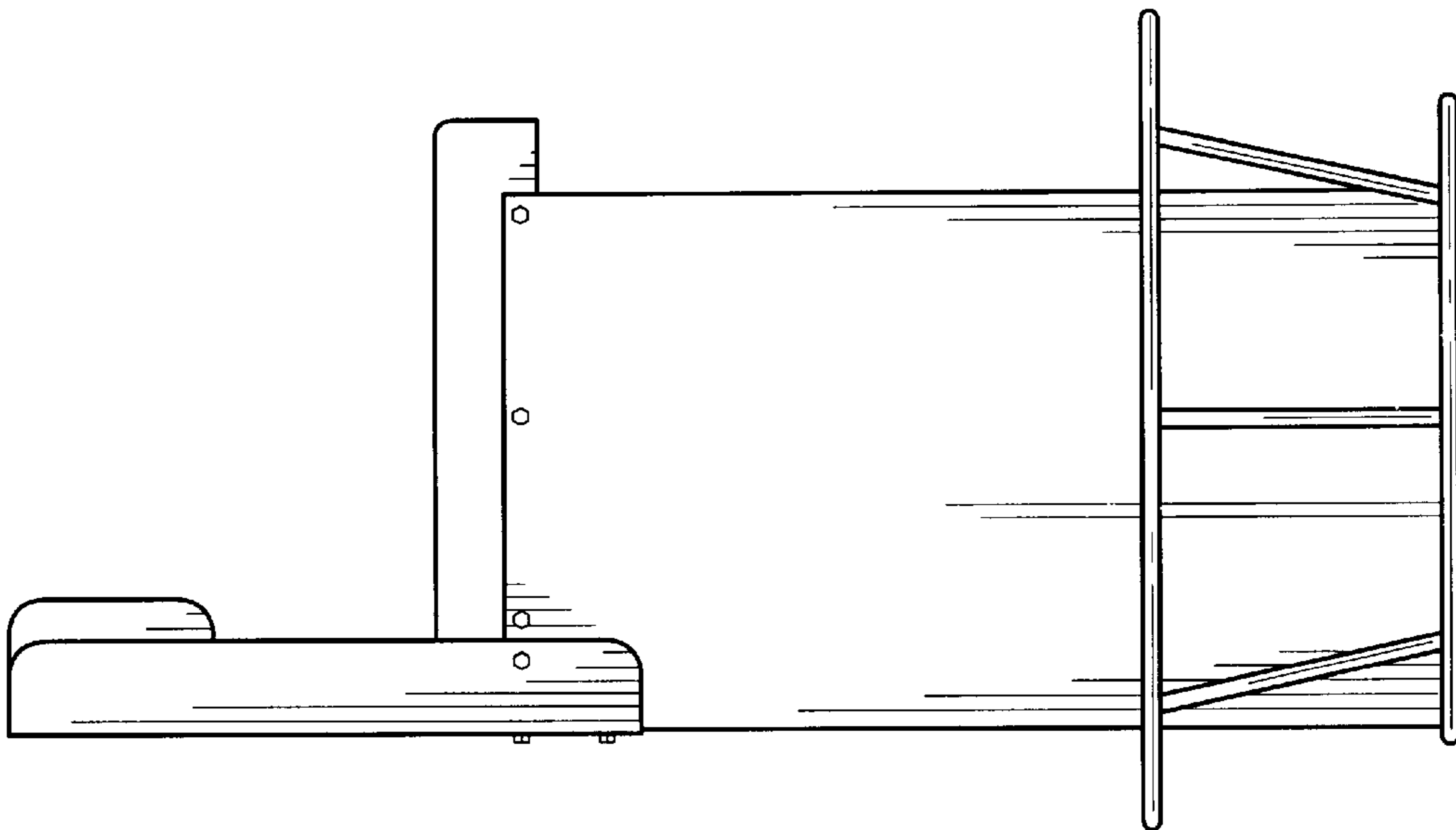


FIG. 4