



US00D410793S

United States Patent [19]
Gouldson

[11] **Patent Number: Des. 410,793**
[45] **Date of Patent: ** Jun. 8, 1999**

[54] **GARMENT HANGER**

[75] Inventor: **Stanley F. Gouldson**, Northport, N.Y.

[73] Assignee: **Spotless Plastics Pty. Ltd.**, Australia

[**] Term: **14 Years**

[21] Appl. No.: **29/090,433**

[22] Filed: **Jul. 8, 1998**

[51] **LOC (6) Cl.** **06-08**

[52] **U.S. Cl.** **D6/315**

[58] **Field of Search** D6/315, 318, 319,
D6/513, 317, 326; 223/85, 88, 91.3, 95-6;
40/322

[56] **References Cited**

U.S. PATENT DOCUMENTS

- D. 186,004 8/1959 Coon .
- D. 371,246 7/1996 Gouldson et al. D6/326
- D. 387,911 12/1997 Albert D6/317

- 1,593,285 7/1926 Batts .
- 2,425,829 8/1947 Rosenberg .
- 5,628,132 5/1997 Marshall et al. 40/322

Primary Examiner—B. J. Bullock
Attorney, Agent, or Firm—Scully, Scott, Murphy & Presser

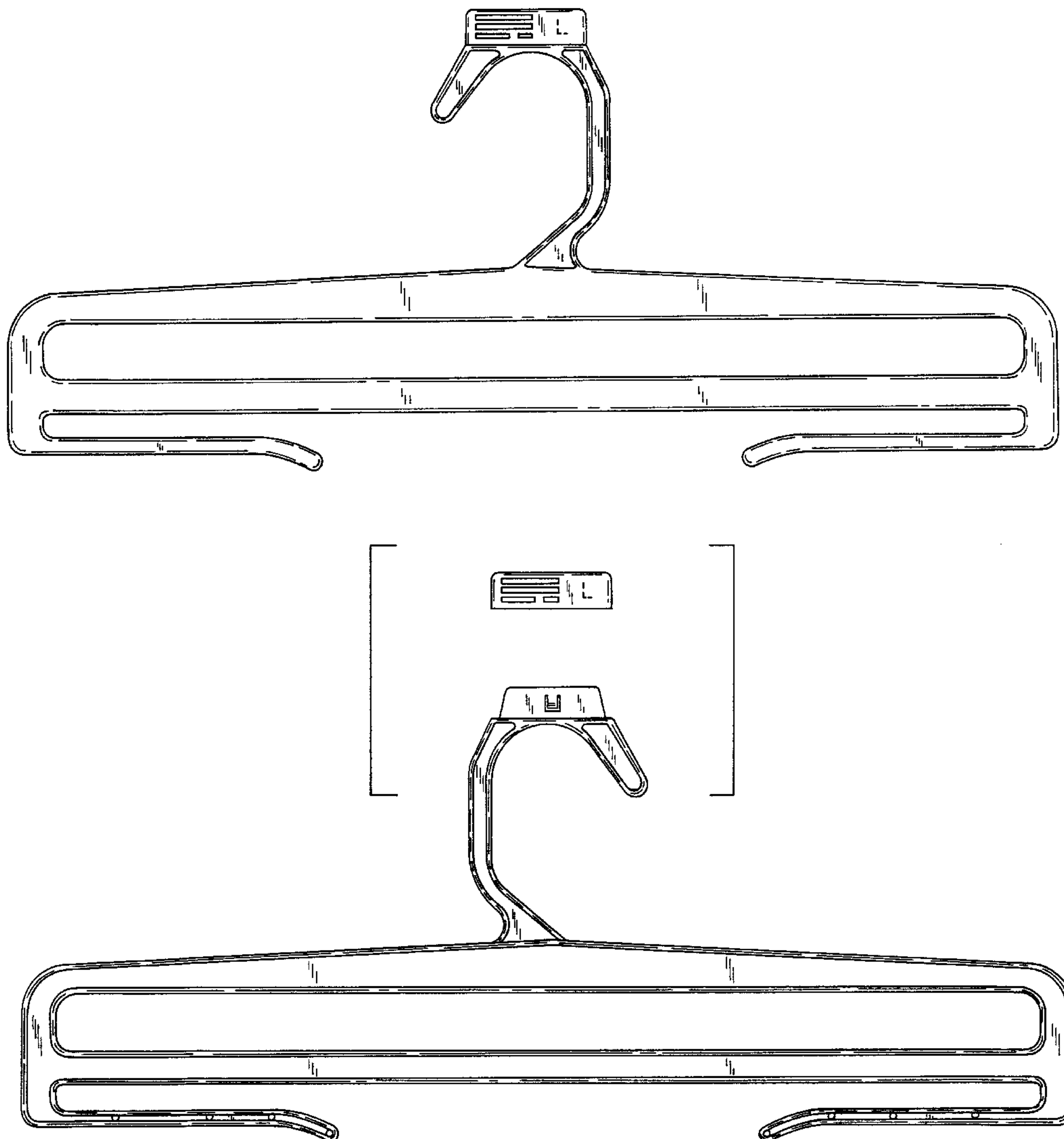
[57] **CLAIM**

The ornamental design for a garment hanger, as shown and described.

DESCRIPTION

FIG. 1 is a front elevation view of a garment hanger showing my new design, the broken lines being for illustrative purposes only and forming no part of the claimed design; FIG. 2 is an exploded rear elevation view thereof; FIG. 3 is a left end elevation view thereof; FIG. 4 is a right end elevation view thereof; FIG. 5 is a top plan view thereof; and, FIG. 6 is a bottom plan view thereof.

1 Claim, 4 Drawing Sheets



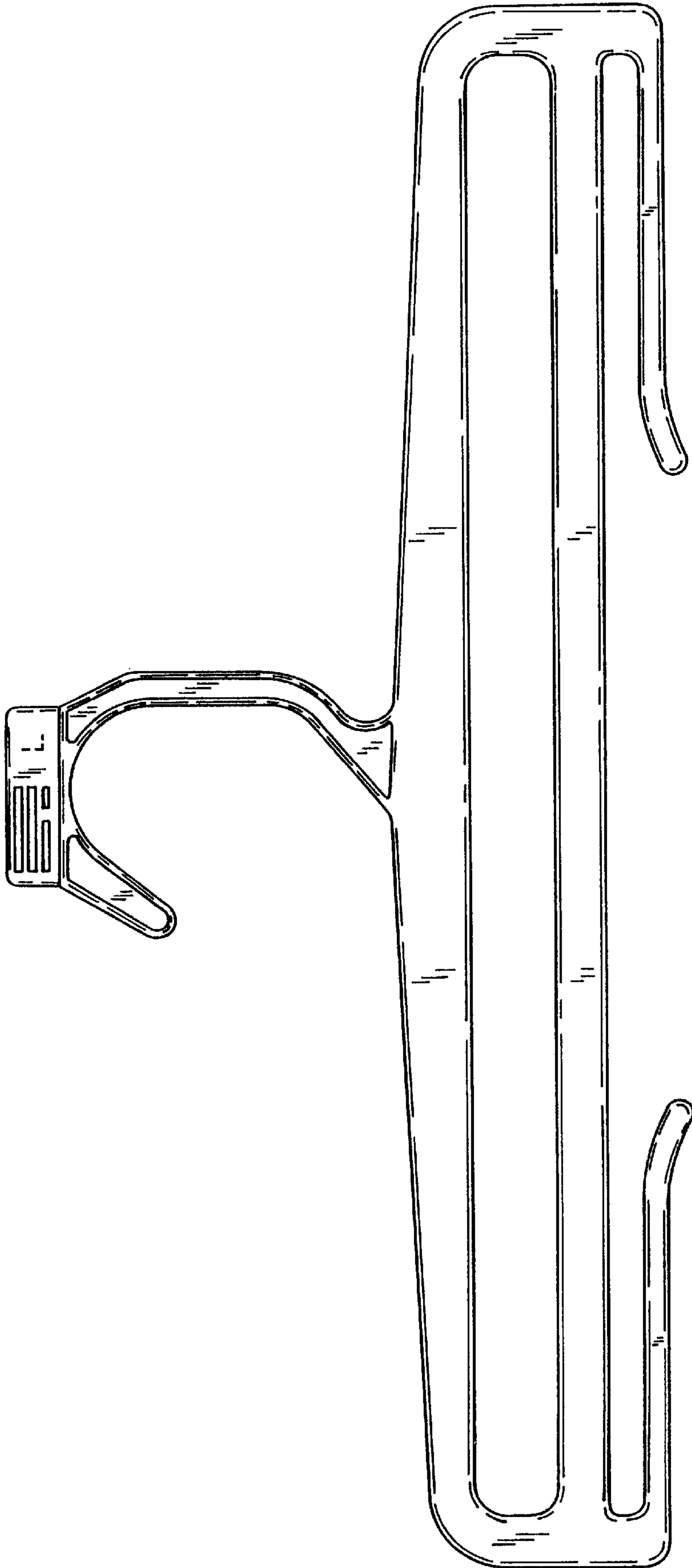


FIG. 1

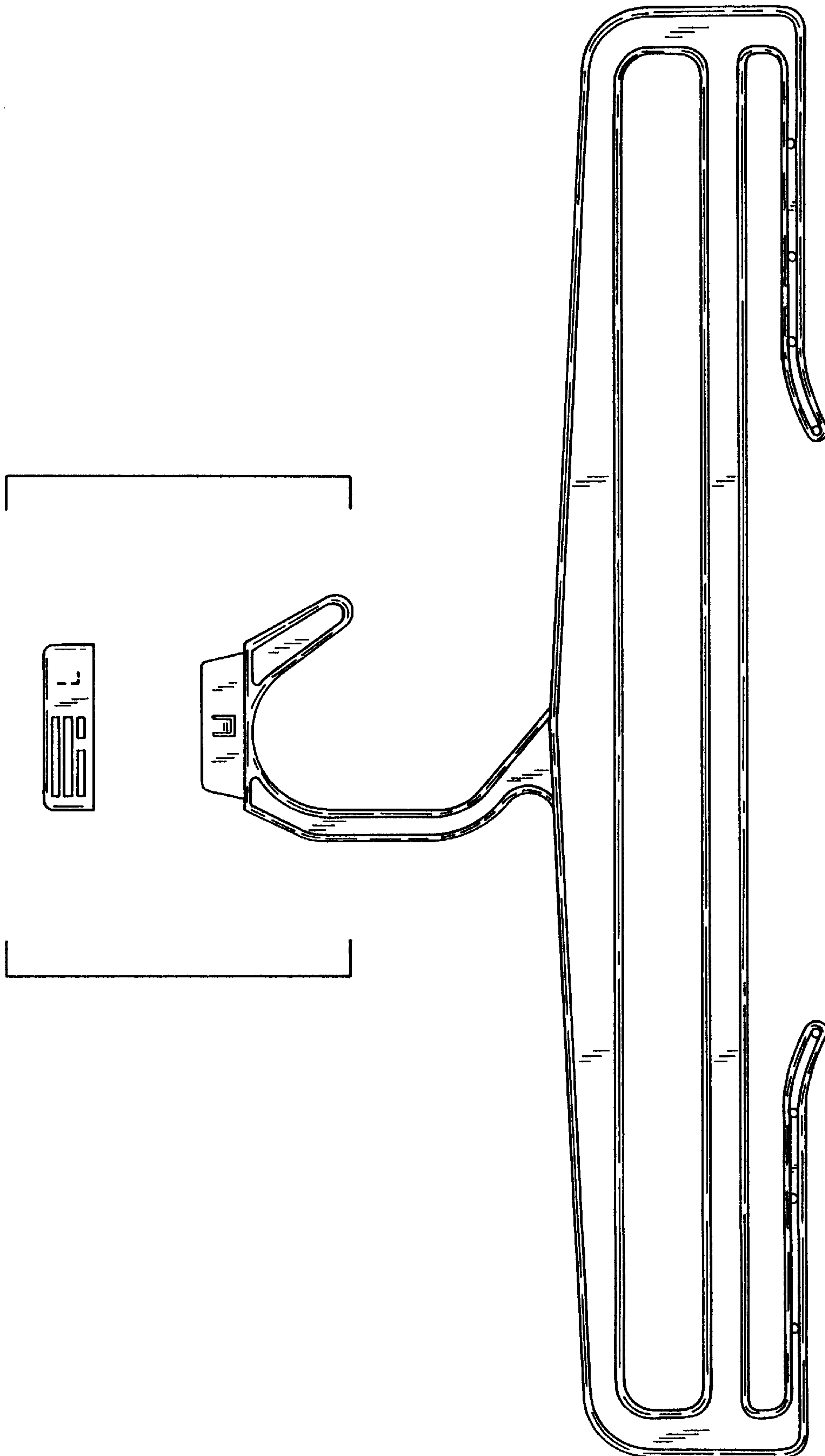


FIG. 2

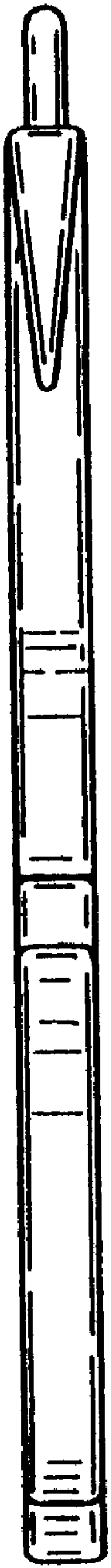


FIG. 3

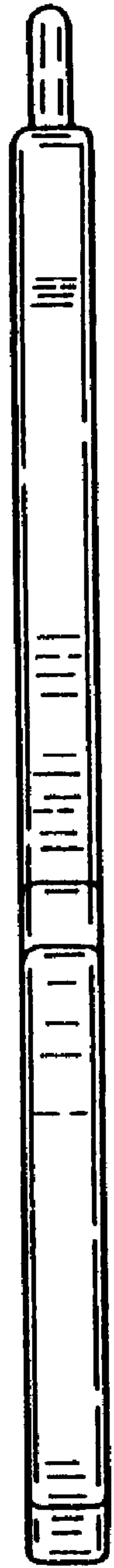


FIG. 4



FIG. 5



FIG. 6

UNITED STATES PATENT AND TRADEMARK OFFICE
CERTIFICATE OF CORRECTION

PATENT NO. : Des. 410,793
DATED : June 8, 1999
INVENTOR(S) : Stanley Gouldson

Page 1 of 1

It is certified that error appears in the above-identified patent and that said Letters Patent is hereby corrected as shown below:

Title Page, DESCRIPTION, Fig. 1: Delete --the broken lines being for illustrative purposes only and forming no part of the claimed design;--

Title Page, DESCRIPTION, Fig 2: "an exploded" should read --a rear--

Signed and Sealed this

Third Day of July, 2001

Nicholas P. Godici

Attest:

Attesting Officer

NICHOLAS P. GODICI

Acting Director of the United States Patent and Trademark Office