



US00D410792S

United States Patent [19] Zaidman

[11] **Patent Number: Des. 410,792**
[45] **Date of Patent: ** Jun. 8, 1999**

[54] **MIRROR**

[75] Inventor: **S. Paul Zaidman**, Winnipeg, Canada

[73] Assignee: **Palliser Furniture**, Winnipeg, Canada

[**] Term: **14 Years**

[21] Appl. No.: **29/085,816**

[22] Filed: **Mar. 31, 1998**

[51] **LOC (6) Cl.** **06-07**

[52] **U.S. Cl.** **D6/300**

[58] **Field of Search** D6/300-302, 309-314,
D6/444; 40/700, 711, 723, 727, 745-749,
765, 790, 798; 359/871, 872, 875, 876,
879, 881; 248/466, 469, 474, 476

[56] **References Cited**

U.S. PATENT DOCUMENTS

D. 318,292	7/1991	Duncan	D19/20
D. 343,744	2/1994	Keller	D6/444
D. 364,963	12/1995	Paus	D6/300
D. 371,005	6/1996	Brunner et al.	D6/300

OTHER PUBLICATIONS

Photographs—Series—260E and F Master Bedroom Plainsman Oak by Palliser Furniture Ltd. (Sep. 1993).

Photographs—Series—263 J, K and L—Master Bedroom Plainsman Oak by Palliser Furniture Ltd. (Sep. 1993).

Ethan Allen, ©1992, p. 214, #4 mirror at left and 2nd from top.

Pennsylvania House, p. 131, mirror at lower left.

Slumberland Furniture, Aug. 15, 1994, front cover, mirror at far left.

Primary Examiner—Janice E. Seeger

Attorney, Agent, or Firm—Senniger, Powers, Leavitt & Roedel

[57] CLAIM

The ornamental design for a mirror, as shown and described.

DESCRIPTION

FIG. 1 is a front perspective view of the design showing the right-hand side of the design, the left-hand side is a mirror image of the right-hand side,

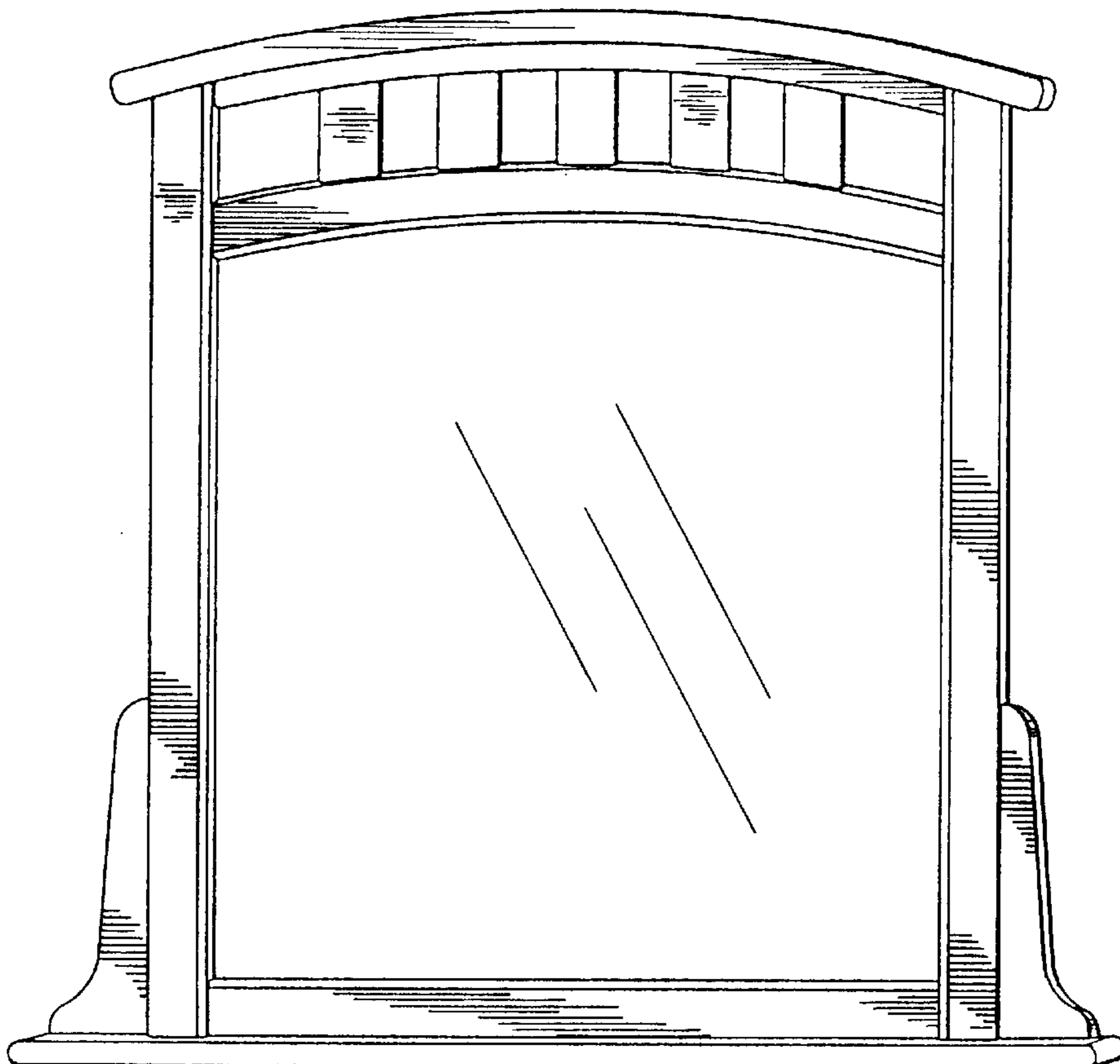
FIG. 2 is a front view of FIG. 1,

FIG. 3 is a top view of FIG. 1; and,

FIG. 4 is a right-hand side view of FIG. 1 and the left-hand side view is a mirror image.

The rear of the mirror is not part of the claimed design.

1 Claim, 2 Drawing Sheets



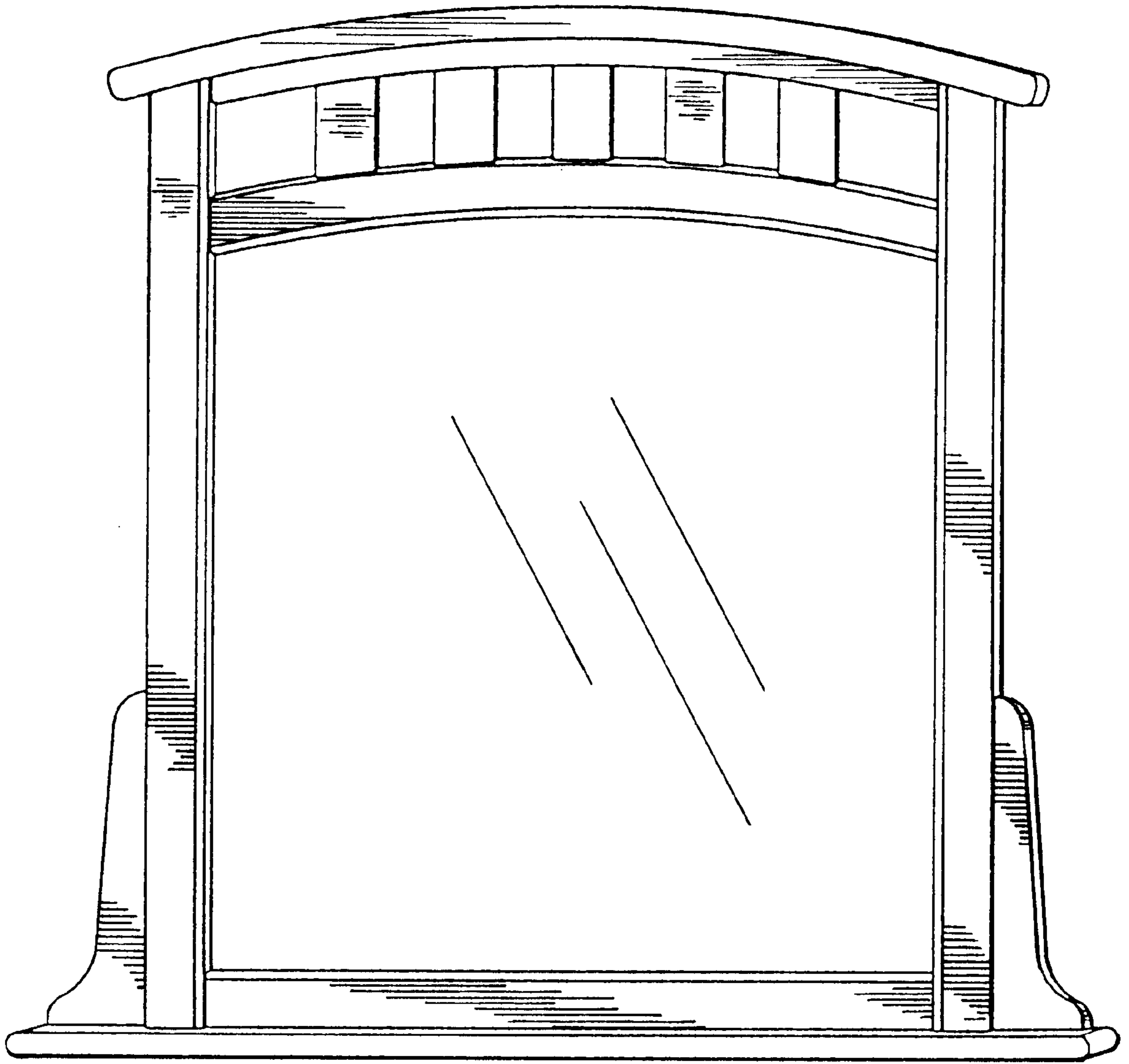


FIG. 1



FIG. 3

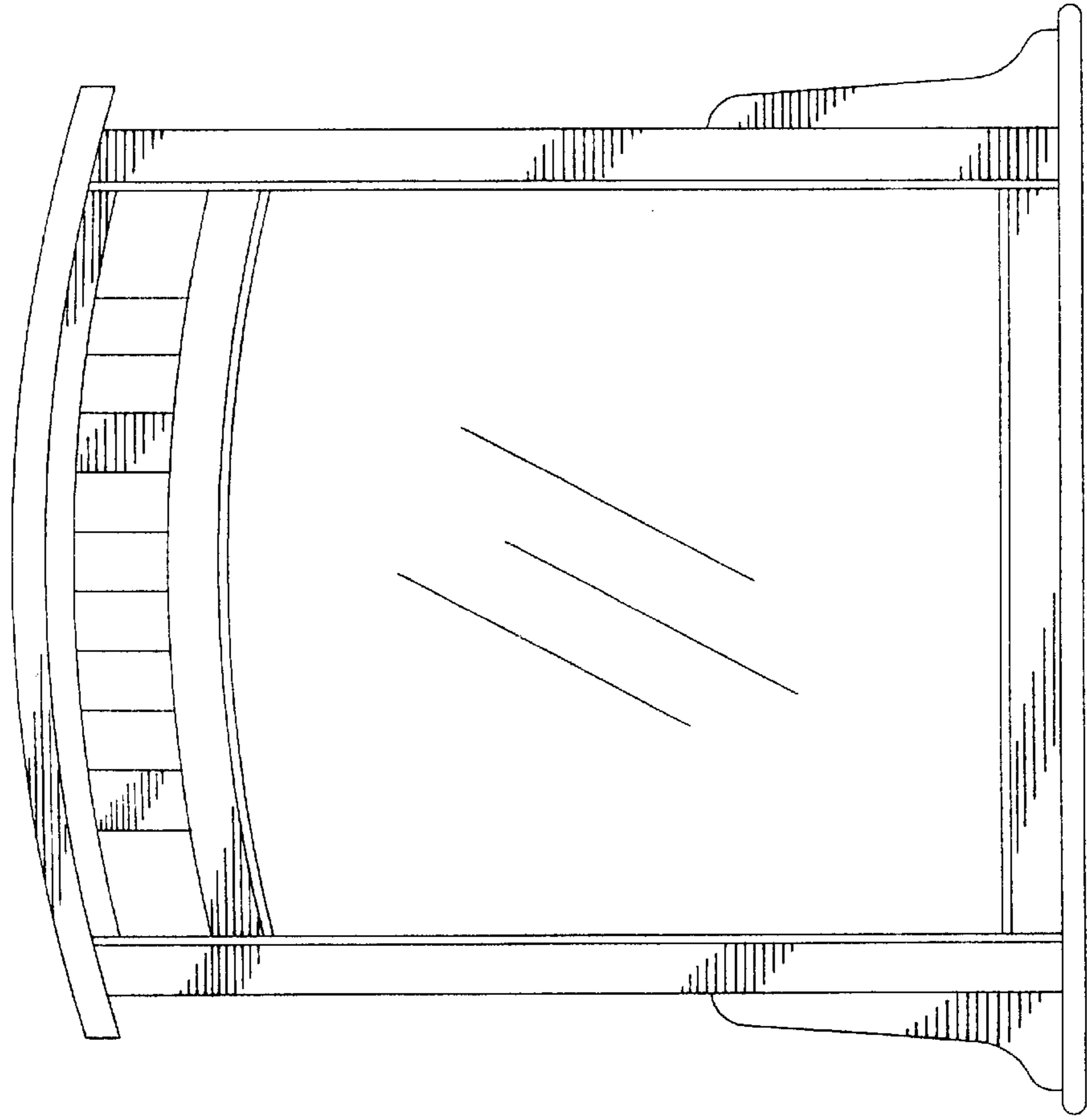


FIG. 2

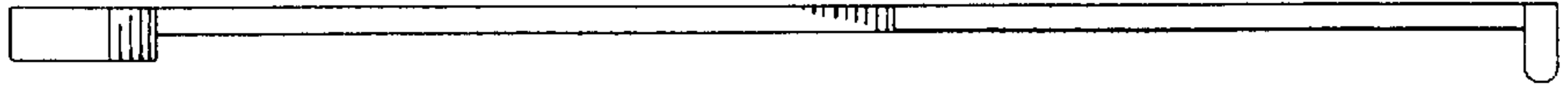


FIG. 4