



US00D410785S

# United States Patent [19]

Leasure et al.

[11] Patent Number: **Des. 410,785**

[45] Date of Patent: **\*\* Jun. 8, 1999**

[54] **CART FOR A HAND-HELD BLOWER**

[75] Inventors: **Jeremy D. Leasure**, Charlotte; **Harold M. Bigham**, Monroe, both of N.C.

[73] Assignee: **Deere & Company**, Charlotte, N.C.

[\*\*] Term: **14 Years**

[21] Appl. No.: **29/092,610**

[22] Filed: **Aug. 24, 1998**

[51] **LOC (6) Cl.** ..... **12-02**

[52] **U.S. Cl.** ..... **D34/24; D34/26**

[58] **Field of Search** ..... D34/12-27; 280/47.24, 280/47.27, 47.29, 47.3, 79.11, 47.17; 248/129; 56/12.8, 16.7

[56] **References Cited**

**U.S. PATENT DOCUMENTS**

D. 399,031	9/1998	Prosper et al. ....	D34/24
D. 401,725	11/1998	Szumal .....	D34/24
4,118,826	10/1978	Kaeser .....	15/328
5,119,619	6/1992	Zappia .....	56/12.8
5,195,208	3/1993	Yamami et al. ....	15/326

5,272,858	12/1993	Bonis .....	56/12.8
5,294,063	3/1994	Bote .....	241/101.7
5,722,110	3/1998	McIntyre et al. ....	15/329
5,735,018	4/1998	Gallagher et al. ....	15/405

*Primary Examiner*—Kay H. Chin  
*Attorney, Agent, or Firm*—Perman & Green, LLP

[57] **CLAIM**

We claim the ornamental design for a cart for a hand-held blower, as shown and described.

**DESCRIPTION**

FIG. 1 is a front, top and left side perspective view of a cart for a hand-held blower showing our new design; FIG. 2 is a top plan view thereof; FIG. 3 is a front elevational view thereof; FIG. 4 is a right side elevational view thereof; FIG. 5 is a left side elevational view thereof; FIG. 6 is a rear elevational view thereof; and, FIG. 7 is a bottom elevational view thereof.

The broken lines showing an outline of a hand-held blower is for illustration purposes only and forms no part of the claimed invention.

**1 Claim, 6 Drawing Sheets**

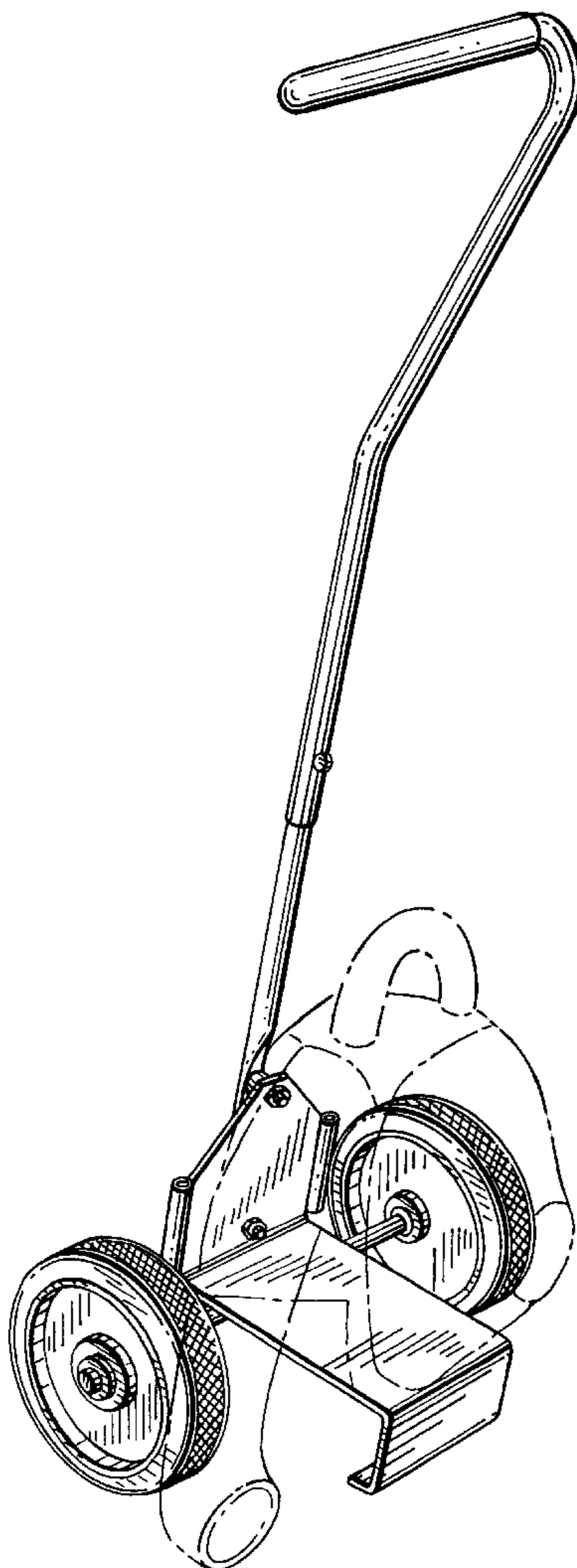


FIG. 1

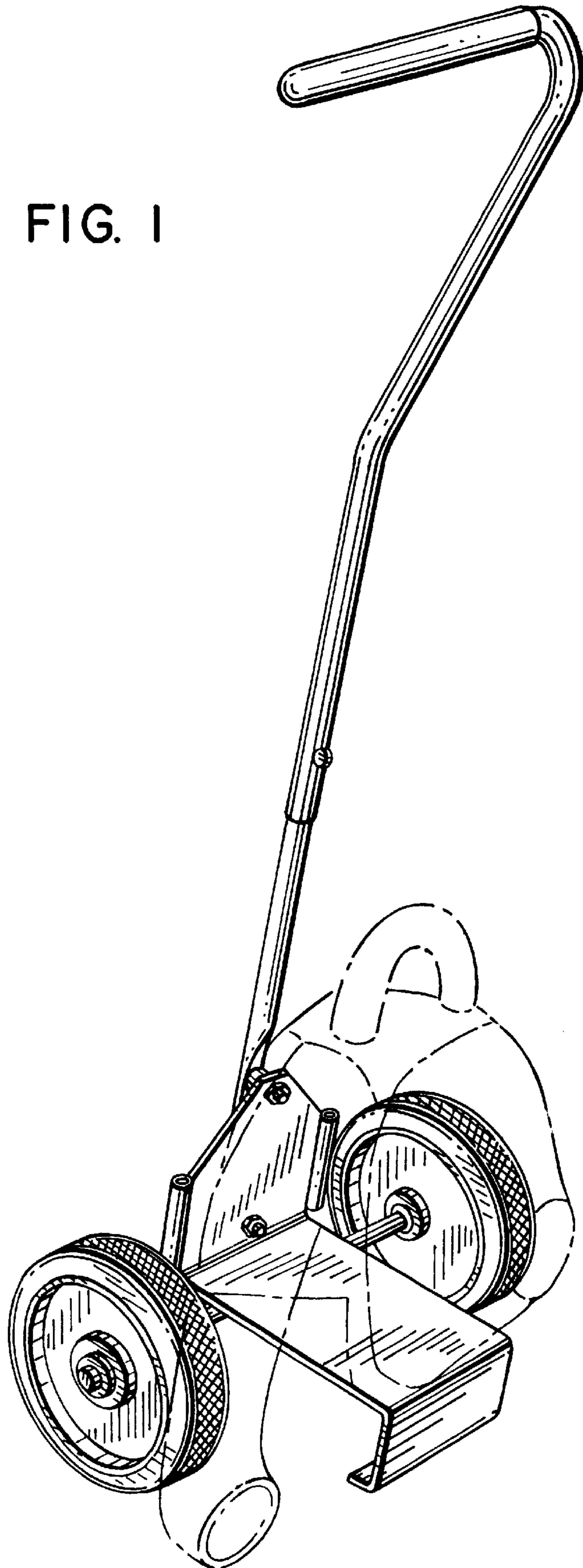


FIG. 2

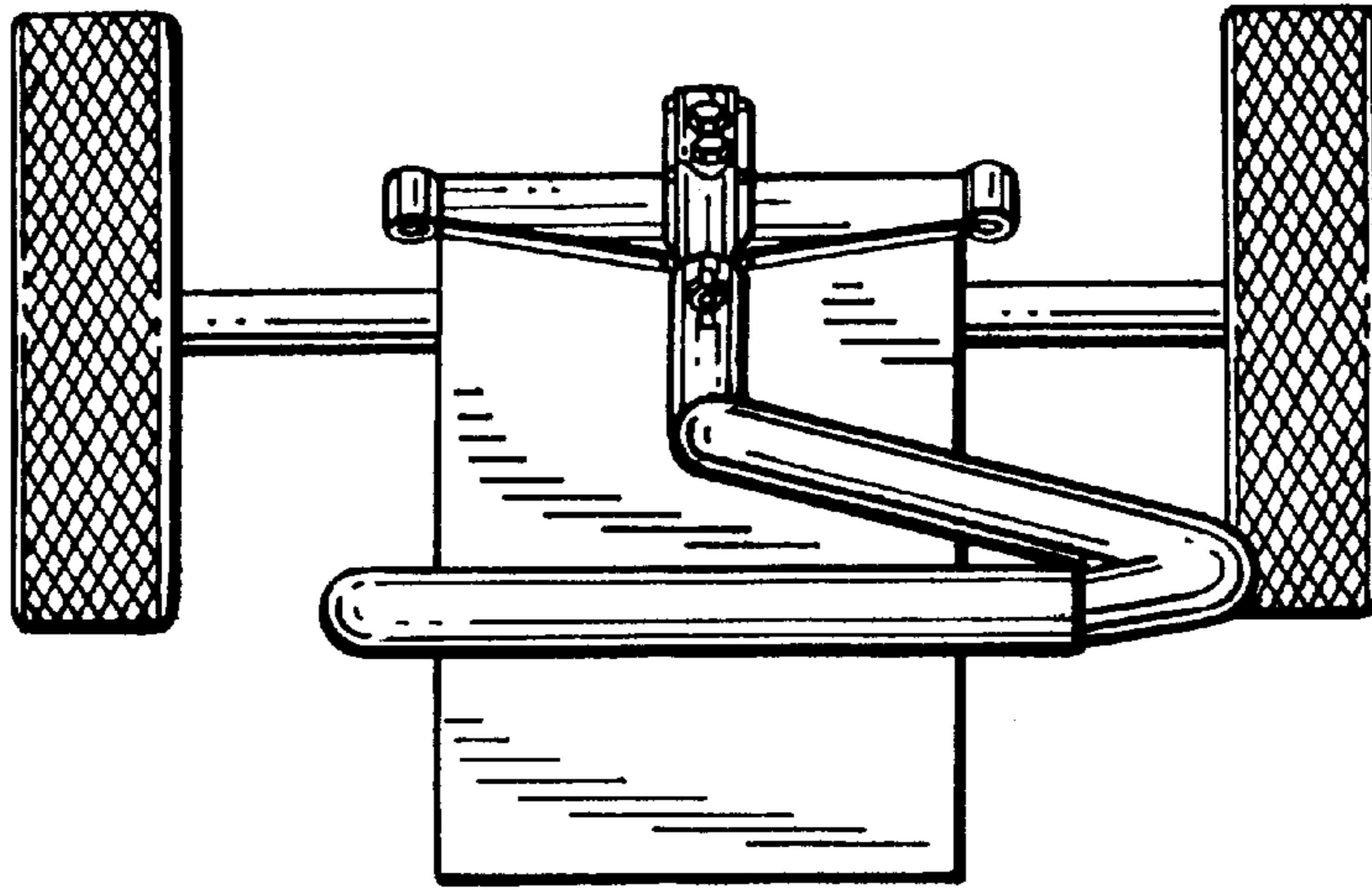
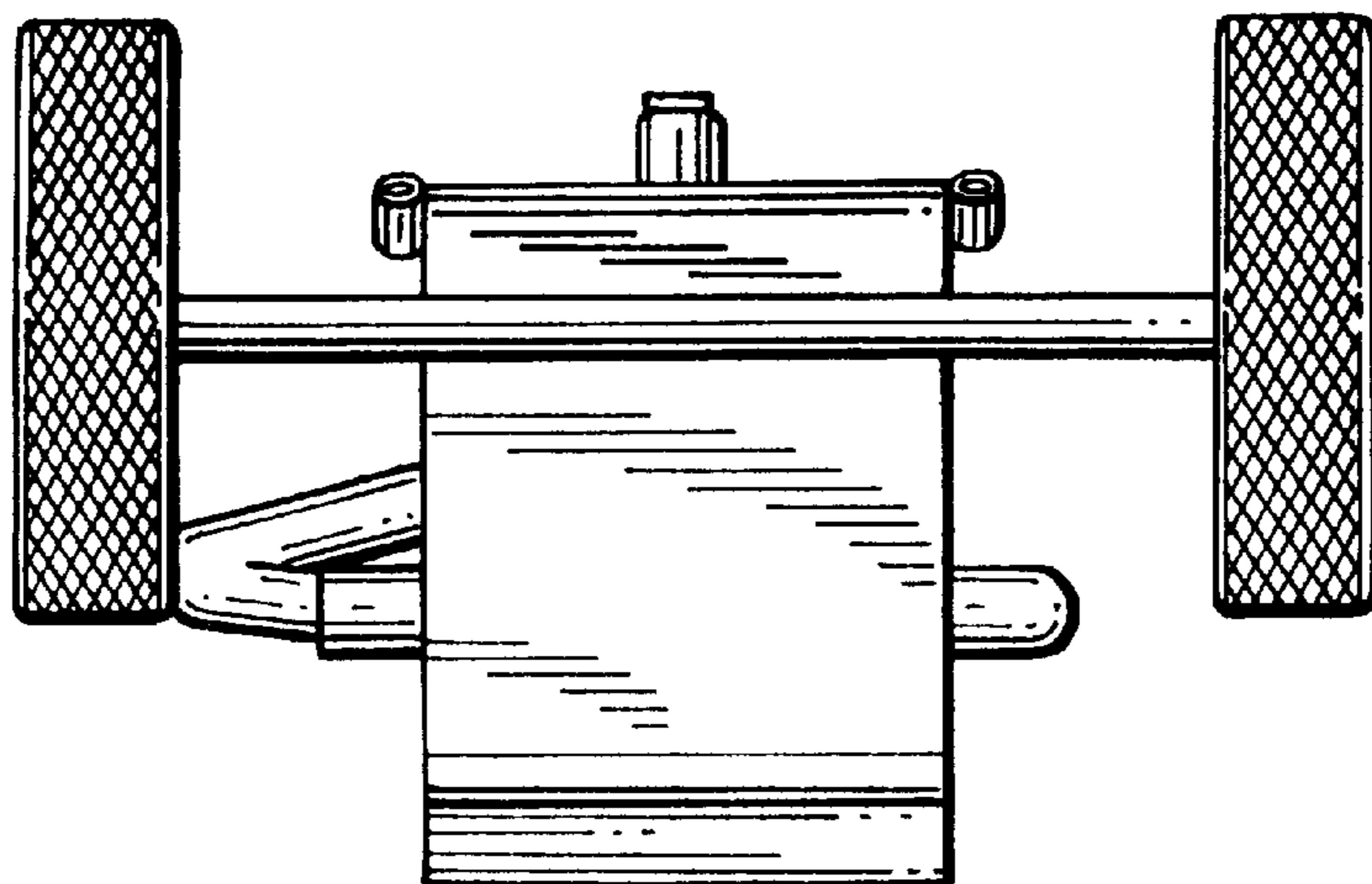


FIG. 7



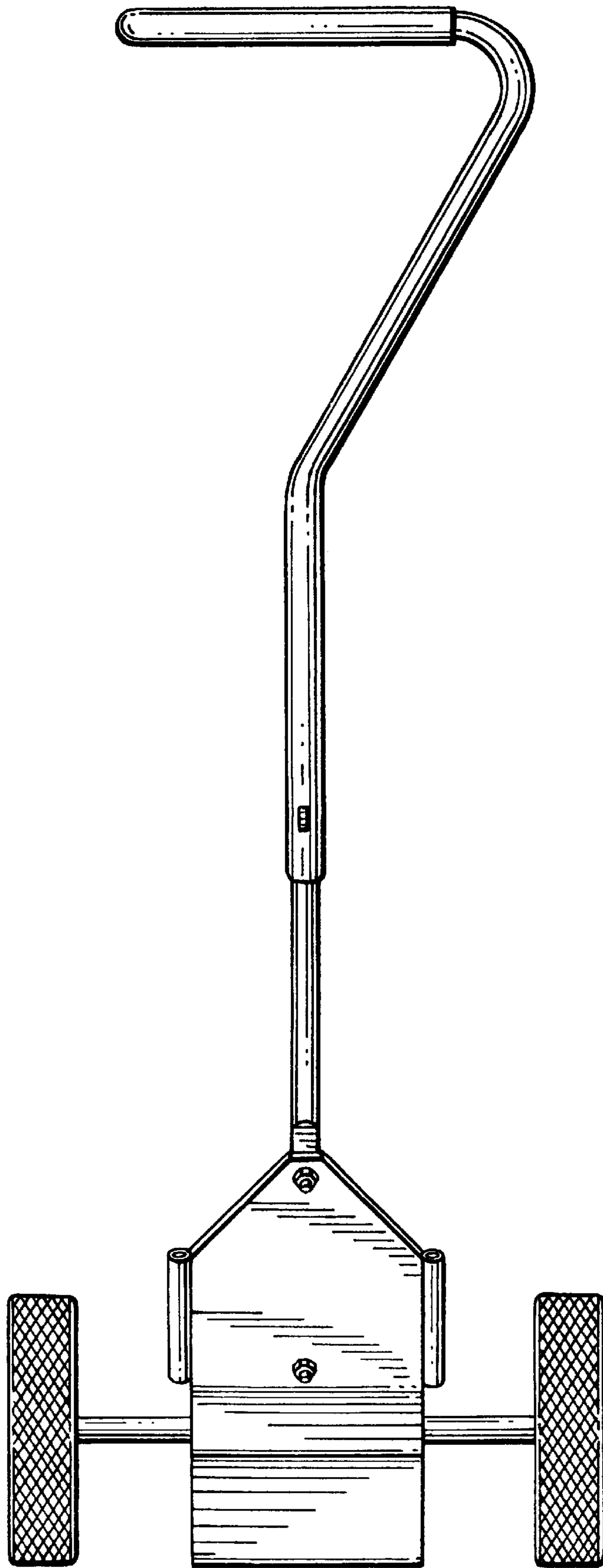


FIG. 3

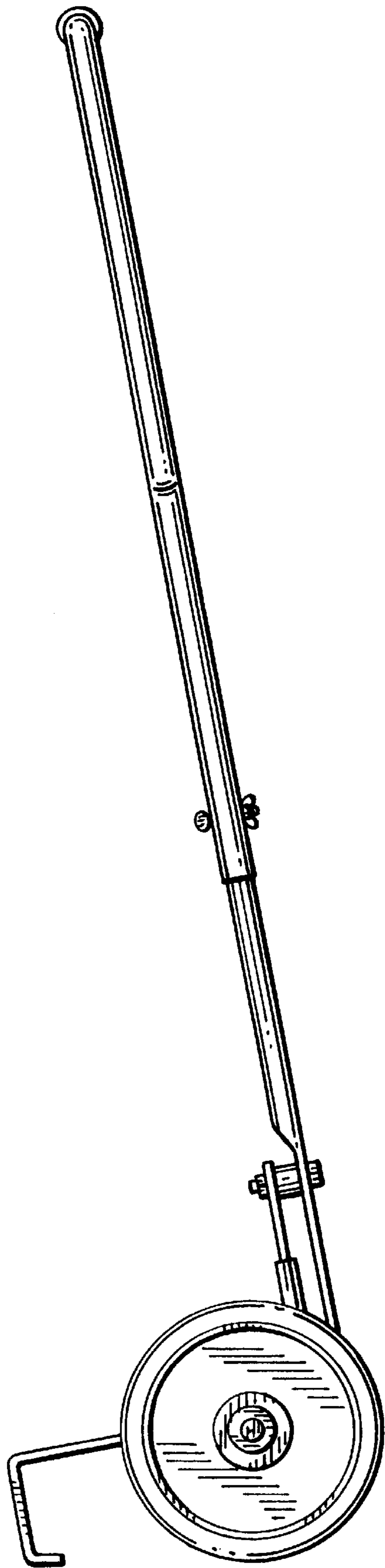


FIG. 4

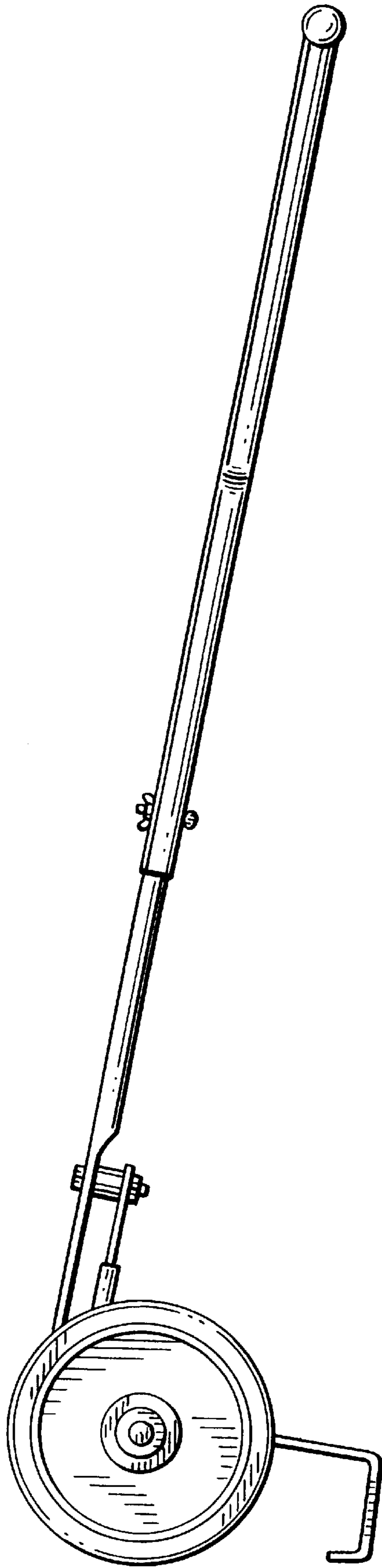


FIG. 5

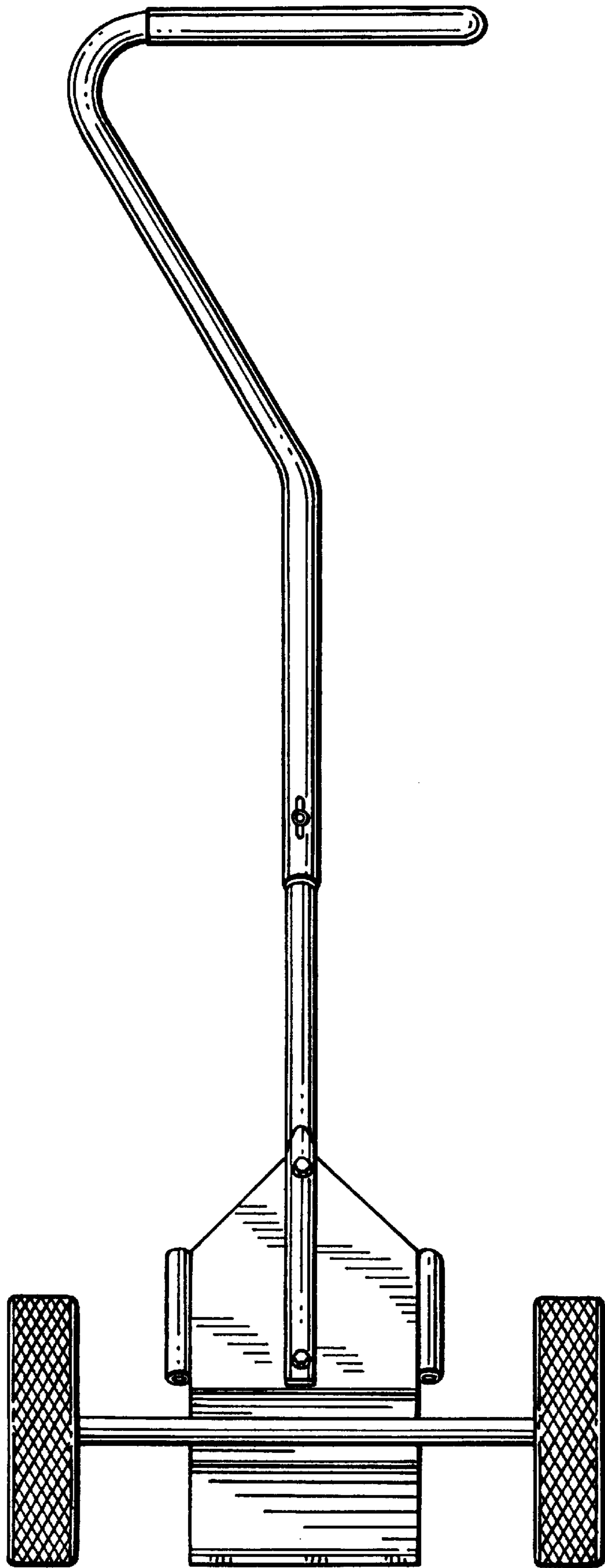


FIG. 6