



US00D410783S

United States Patent [19] Camp, Jr. et al.

[11] **Patent Number: Des. 410,783**
[45] **Date of Patent: ** Jun. 8, 1999**

[54] **ROLLER MOP HEAD**
[75] Inventors: **William P. Camp, Jr.**, Wooster;
Charles Sven Johnson, Copley, both of
Ohio

4,604,767 8/1986 Burkhart et al. 15/119 A
4,777,690 10/1988 Ancier 15/119 A
4,856,835 8/1989 Pacione 294/61
5,655,248 8/1997 Kieson et al. 15/119.2

[73] Assignee: **Rubbermaid Incorporated**, Wooster,
Ohio

OTHER PUBLICATIONS
Rubbermaid Cleaning and Maintenance Products Catalog, p.
28 (1995); U.S. Highway 13, Greenville, North Carolina.
Rubbermaid Incorporated Catalog Sheet, 1 page, (1992);
1147 Akron Road, Wooster, Ohio.

[**] Term: **14 Years**

Primary Examiner—Susan J. Lucas
Assistant Examiner—Cynthia E. Ramirez
Attorney, Agent, or Firm—Renner, Kenner, Greive, Bobak,
Taylor & Weber

[21] Appl. No.: **29/088,475**

[22] Filed: **May 26, 1998**

[51] **LOC (6) Cl.** **08-05**

[52] **U.S. Cl.** **D32/44; D32/42; D32/50**

[58] **Field of Search** D32/42, 41, 44,
D32/50, 51; 15/245, 245.1, 228, 229.6,
119.1, 105, 121

[57] **CLAIM**

The ornamental design for a roller mop head, as shown and
described.

[56] **References Cited**

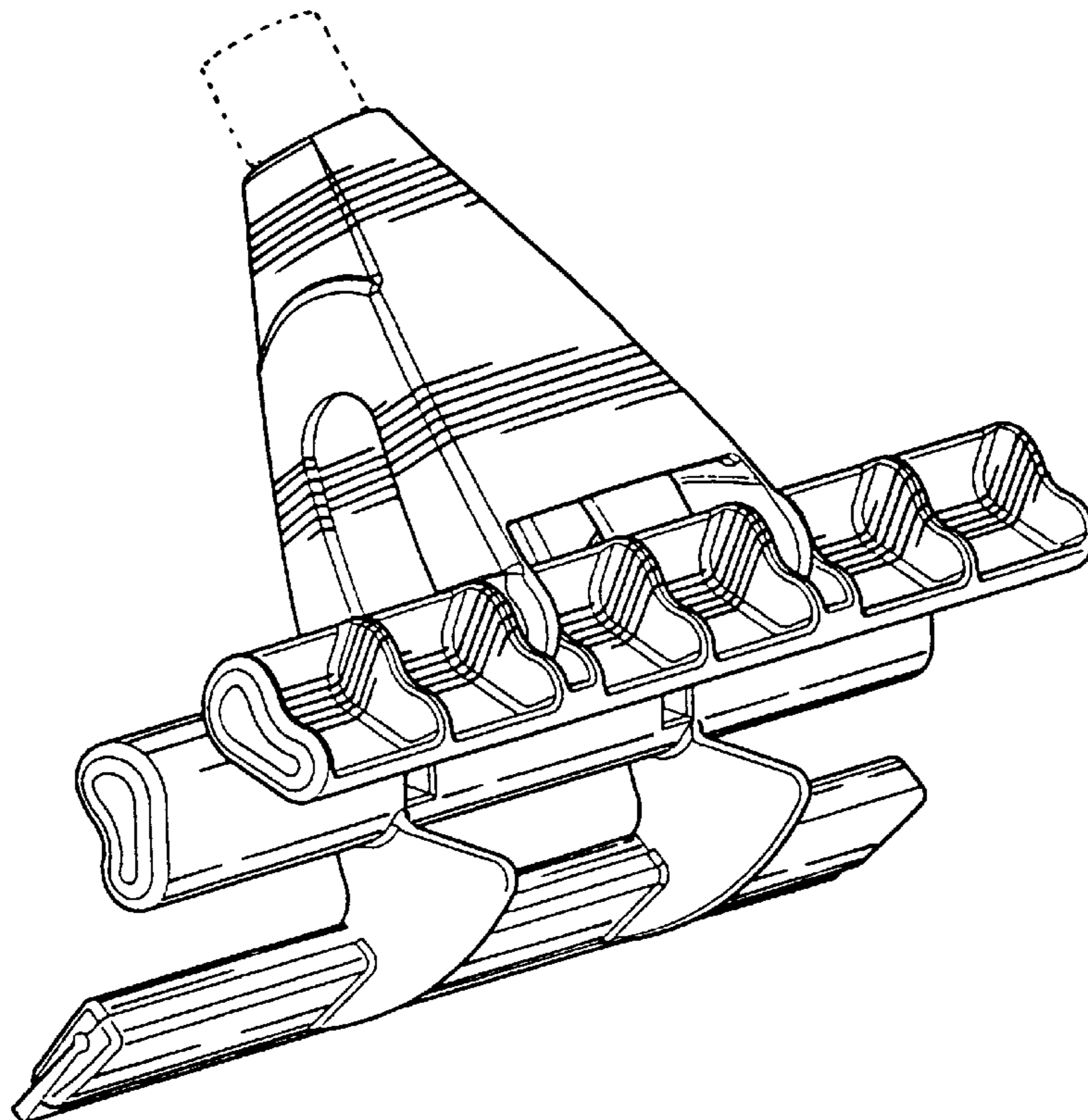
U.S. PATENT DOCUMENTS

D. 280,769	9/1985	Johnson et al.	D32/44
D. 291,378	8/1987	Viner	D32/41
D. 295,912	5/1988	Jones et al.	D32/44
D. 302,759	8/1989	Batchelor	D32/44
D. 351,267	10/1994	Libman	D32/44
D. 370,101	5/1996	Juratovac et al.	D32/50
2,852,794	9/1958	Blum	15/119
3,037,229	6/1962	Anderson	15/119
4,196,488	4/1980	Barry	15/119 A
4,464,807	8/1984	Weiss	15/119 A
4,491,998	1/1985	Wilson et al.	15/119 A

DESCRIPTION

FIG. 1 is a front, left side perspective view of a roller mop head showing our new design;
FIG. 2 is a rear elevational view thereof;
FIG. 3 is a right side elevational view thereof, the left side being a mirror image of FIG. 3;
FIG. 4 is a front elevational view thereof;
FIG. 5 is a top plan view thereof; and,
FIG. 6 is a bottom plan view thereof.
The broken lines in the drawings are for purposes of environment only and play no part in the ornamental design.

1 Claim, 2 Drawing Sheets



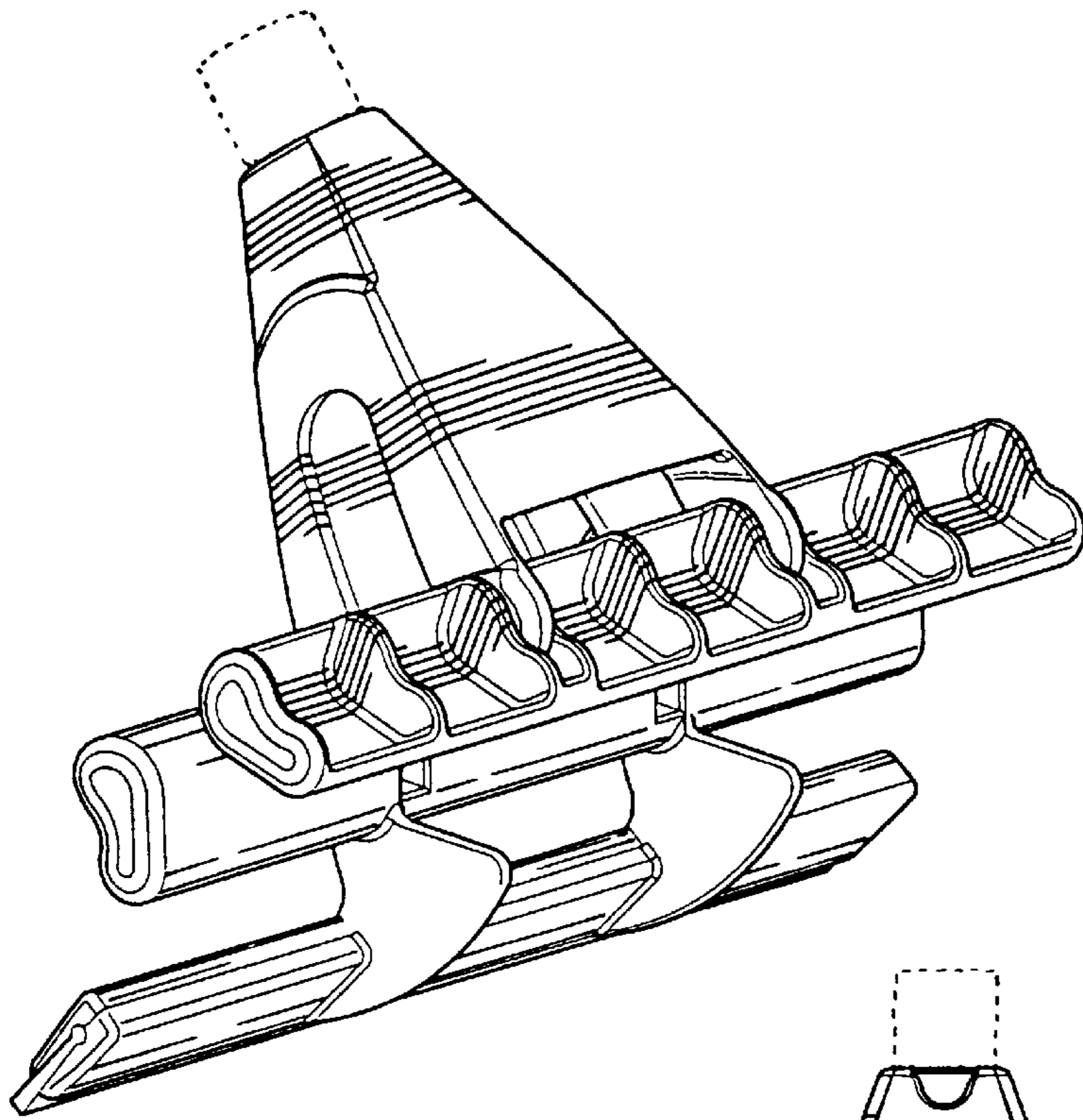


Fig-1

Fig-2

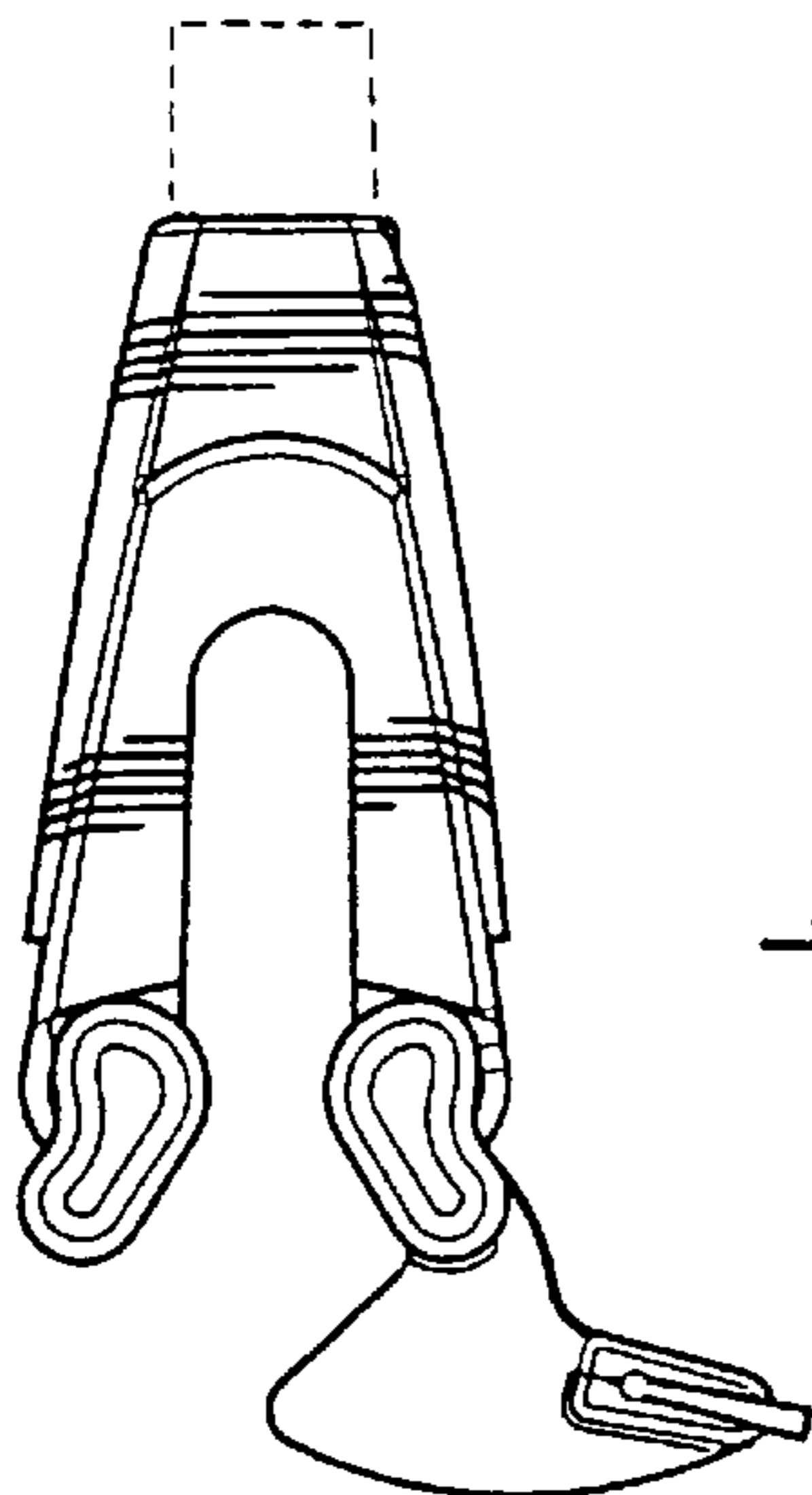
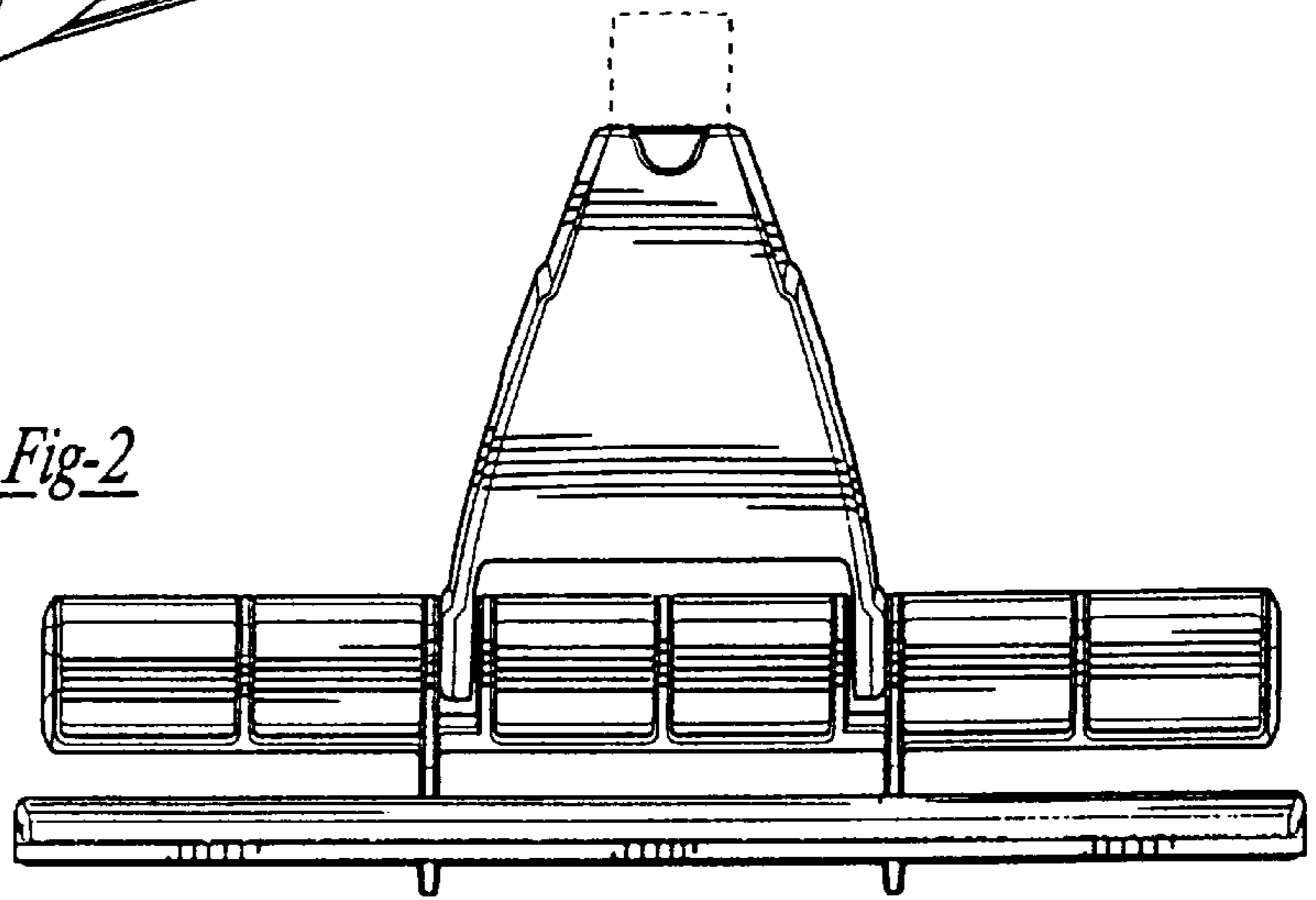


Fig-3

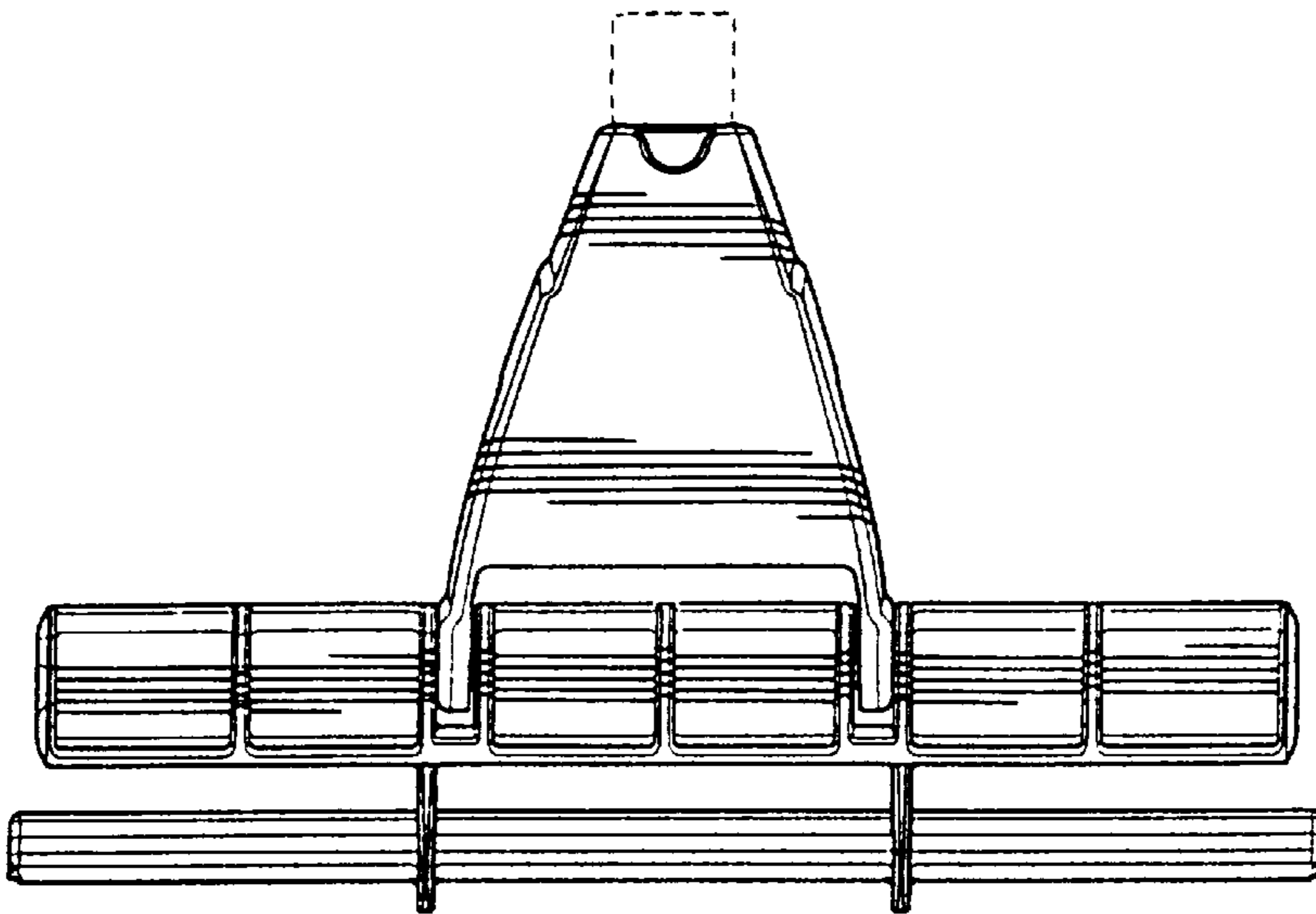


Fig-4

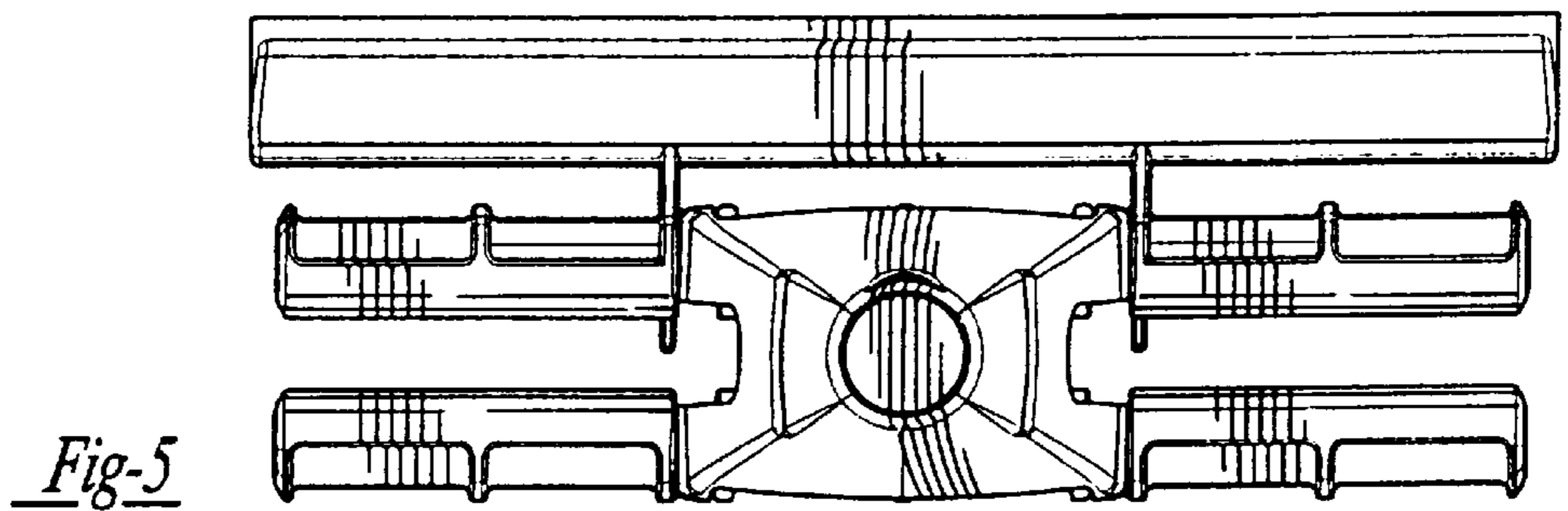


Fig-5

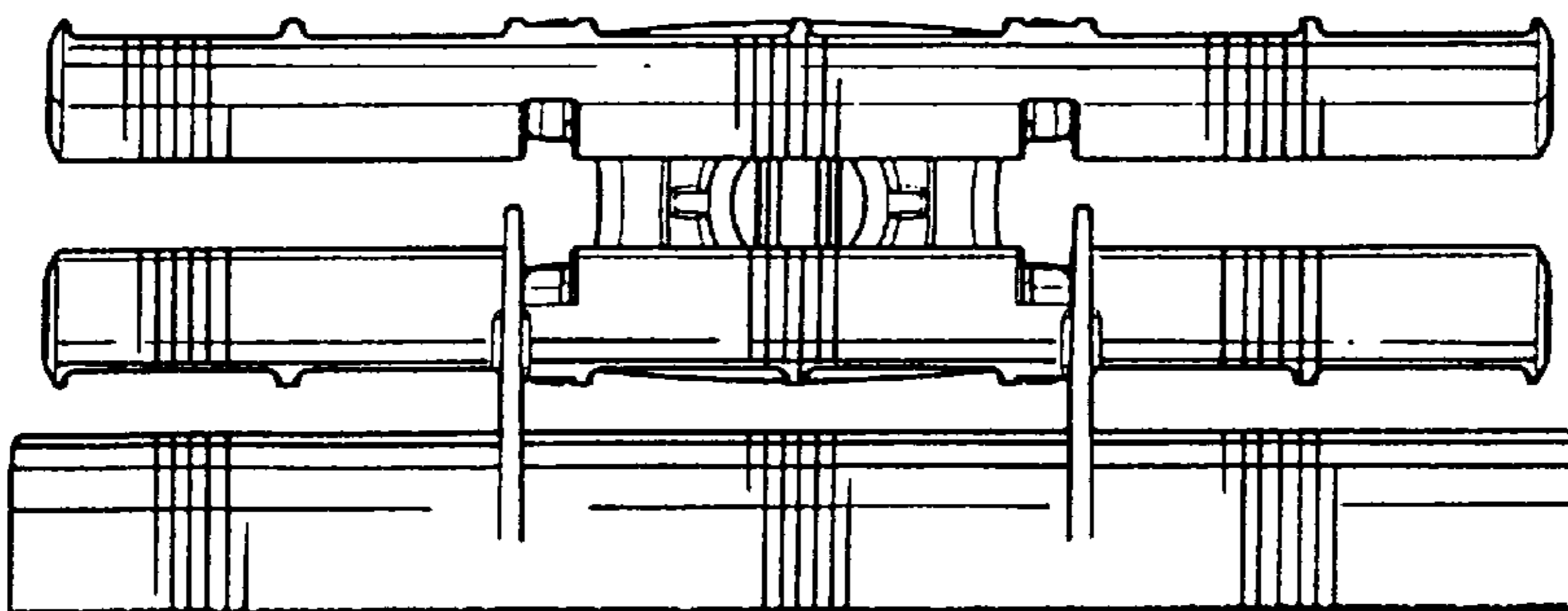


Fig-6