



US00D410778S

United States Patent [19]

[11] Patent Number: Des. 410,778

Apps et al.

[45] Date of Patent: ** Jun. 8, 1999

[54] COMPARTMENT STRUCTURE OF BOTTLE CASE

[75] Inventors: **William P. Apps**, Alpharetta; **Gerald R. Koefeld**, Atlanta, both of Ga.

[73] Assignee: **Rehrig Pacific Company**, Los Angeles, Calif.

[**] Term: **14 Years**

[21] Appl. No.: **29/081,729**

[22] Filed: **Jan. 8, 1998**

Related U.S. Application Data

[62] Division of application No. 29/067,185, Feb. 28, 1997, Pat. No. Des. 395,954, which is a division of application No. 29/039,952, Jun. 7, 1995, Pat. No. Des. 378,249, which is a continuation-in-part of application No. 29/037,469, Apr. 13, 1995, Pat. No. Des. 380,901, which is a continuation-in-part of application No. 29/018,317, Feb. 3, 1994, Pat. No. Des. 361,431, and application No. 29/034,317, Feb. 1, 1995, Pat. No. Des. 379,717, which is a continuation-in-part of application No. 07/919,376, Jul. 29, 1992, Pat. No. 5,529,176.

[51] **LOC (6) Cl.** **03-99**

[52] **U.S. Cl.** **D3/318**

[58] **Field of Search** D3/304, 307, 310, D3/311, 312-315, 317-319; D9/414, 424, 425, 341; 206/427, 429, 515, 519, 557, 201, 562-564; 220/509, 513, 514, 516, 517, 669, 670, 672, 673, DIG. 2, DIG. 15

[56] References Cited

U.S. PATENT DOCUMENTS

- D. 147,981 11/1947 Lehman .
- D. 152,907 3/1949 Richards D3/311
- D. 195,702 7/1963 Russo .
- D. 201,257 6/1965 Vidal .
- D. 231,089 4/1974 Hill .
- D. 234,679 4/1975 Hirota .
- D. 235,031 4/1975 Jansen .
- D. 239,260 3/1976 Gale .
- D. 255,097 5/1980 Carroll et al. .
- D. 266,709 10/1982 Box .

(List continued on next page.)

FOREIGN PATENT DOCUMENTS

- 247904 8/1962 Australia .
- 680197 10/1966 Belgium .
- 693216 7/1967 Belgium .
- 965056 3/1975 Canada .
- 1109433 9/1981 Canada .
- 99827 2/1984 European Pat. Off. .
- 1285689 1/1962 France .
- 1351218 12/1963 France .
- 1518610 2/1968 France .
- 2401087 3/1979 France .

(List continued on next page.)

OTHER PUBLICATIONS

Exhibits A & B: Two photos of an embodiment of U.S. Pat. No. 4,773,554 to Warwick.

Exhibits D-F: Three photos of a bottle neck resting type crate with projections above the outer side walls.

Exhibits G-J: Four photos of bottle neck resting type crate without projections above the outer side walls.

Exhibits K: One photo of a bottle neck resting type crate with different height outer side walls.

Exhibits L: Four photos of an embodiment of Great Britain Patent Publication No. 2,158,044 & U.S. Design Patent No. D289,938.

(List continued on next page.)

Primary Examiner—Ted Shooman
Assistant Examiner—Adir Aronovich
Attorney, Agent, or Firm—Banner & Witcoff, Ltd.

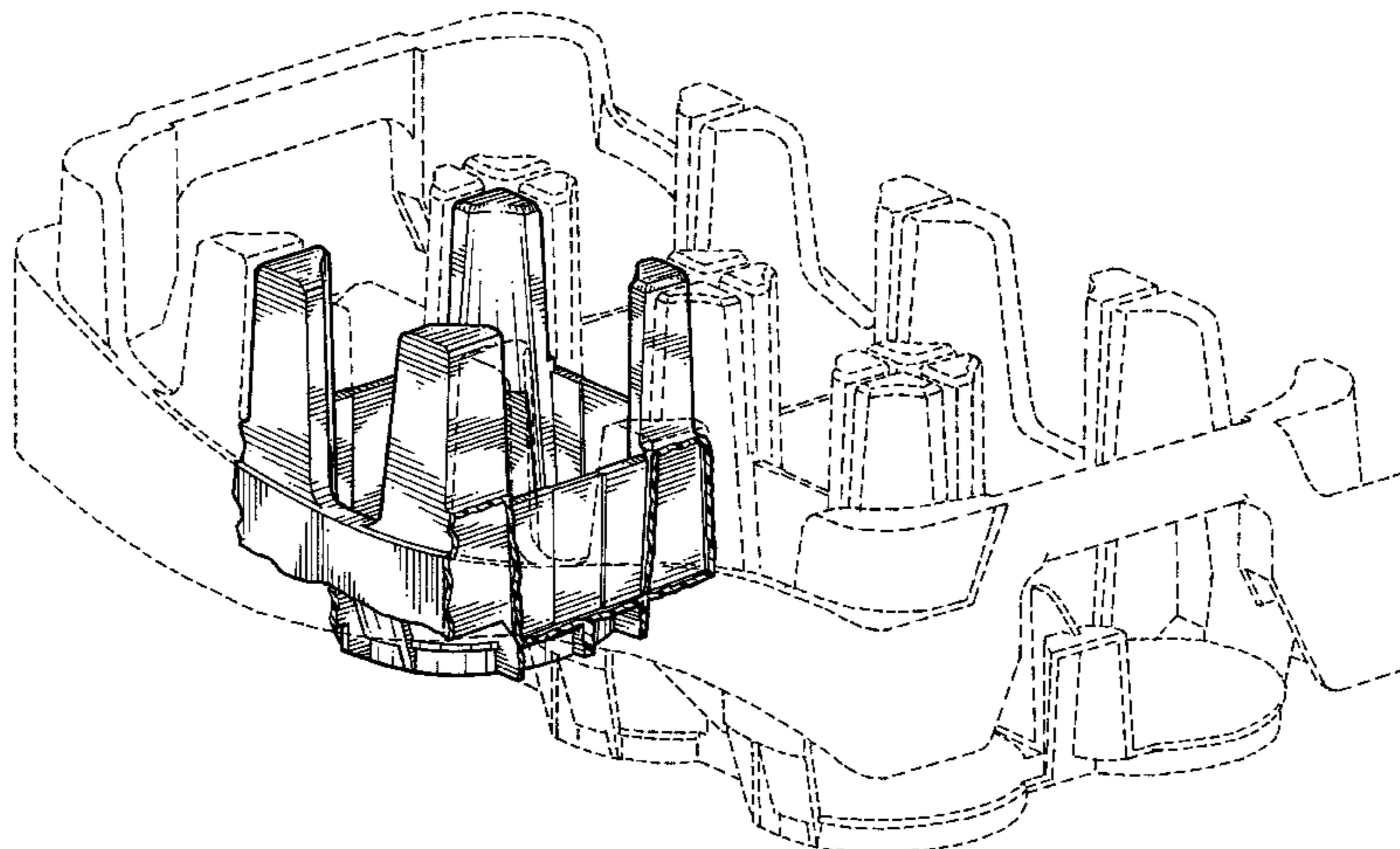
[57] CLAIM

The ornamental design for a compartment structure of bottle case, as shown and described.

DESCRIPTION

FIG. 1 is a top perspective view of a compartment structure of a bottle case showing our new design; FIG. 2 is a top plan thereof; and, FIG. 3 is a bottom plan view thereof. The broken lines depict environmental structure which forms no part of the claimed design.

1 Claim, 2 Drawing Sheets



U.S. PATENT DOCUMENTS

D. 273,482	4/1984	Andreason et al. .	
D. 275,467	9/1984	Massonnet .	
D. 284,841	7/1986	Rowland et al. .	
D. 285,851	9/1986	Rehrig .	
D. 289,938	5/1987	Warwick .	
D. 291,178	8/1987	Toms .	
D. 304,123	10/1989	Warwick	D3/313
D. 313,493	1/1991	Apps et al. .	
D. 317,670	6/1991	Apps .	
D. 318,552	7/1991	Apps .	
D. 319,129	8/1991	Apps et al. .	
D. 320,298	9/1991	Apps et al. .	
D. 325,279	4/1992	Apps .	
D. 326,749	6/1992	Apps et al. .	
D. 327,357	6/1992	Rehrig .	
D. 327,972	7/1992	Apps et al. .	
D. 329,931	9/1992	Apps .	
D. 329,932	9/1992	Apps .	
D. 333,028	2/1993	Lux, Jr.	D3/314
D. 353,997	1/1995	Muschett .	
D. 360,758	8/1995	Umiker .	
D. 361,431	8/1995	Koefeldt .	
D. 379,717	6/1997	Apps et al. .	
D. 380,901	7/1997	Apps et al. .	
1,112,943	10/1914	Stone .	
2,064,518	12/1936	Brogden .	
2,411,673	11/1946	Vechey, Jr. .	
2,530,481	11/1950	Rawn, Jr. .	
2,535,493	12/1950	Gerber .	
2,588,805	3/1952	Cross .	
2,626,079	1/1953	Keller .	
2,743,030	4/1956	Read, Jr. .	
2,760,676	8/1956	Knieriem et al. .	
2,840,256	6/1958	Cobb, Jr. .	
2,928,530	3/1960	Sauvey .	
2,935,222	5/1960	O'Connell .	
2,970,715	2/1961	Kappel et al. .	
2,974,819	3/1961	Melville .	
2,979,222	4/1961	Levine .	
3,009,579	11/1961	Ettlinger, Jr. .	
3,055,542	9/1962	Russo .	
3,092,284	6/1963	Stout .	
3,148,797	9/1964	Cloyd .	
3,151,762	10/1964	Vidal .	
3,155,268	11/1964	Fogerty et al. .	
3,184,148	5/1965	Poupitch .	
3,247,996	4/1966	Garcia .	
3,283,947	11/1966	Cornelius .	
3,297,190	1/1967	Cloyd .	
3,326,410	6/1967	Asenbauer .	
3,332,574	7/1967	Earp .	
3,333,727	8/1967	Belcher et al. .	
3,333,729	8/1967	Rabb .	
3,334,767	8/1967	Cornelius et al. .	
3,349,943	10/1967	Box .	
3,376,998	4/1968	Cornelius .	
3,379,339	4/1968	Asenbauer .	
3,384,261	5/1968	Austin .	
3,390,801	7/1968	Adomat .	
3,391,814	7/1968	Box .	
3,391,815	7/1968	Box .	
3,392,869	7/1968	Needt .	
3,416,694	12/1968	Bebb .	
3,447,715	6/1969	Beney .	
3,517,852	6/1970	Schoeller .	
3,547,309	12/1970	Pusey et al. .	
3,638,824	2/1972	Sekiguchi et al. .	
3,651,976	3/1972	Chadbourne .	
3,701,449	10/1972	Schoeller .	
3,734,341	5/1973	Levenhagen .	

3,759,416	9/1973	Constantine .
3,812,996	5/1974	Bunnell .
3,865,239	2/1975	Herolzer et al. .
3,949,876	4/1976	Bridges et al. .
4,027,796	6/1977	Martin .
4,037,722	7/1977	Bremer .
4,040,517	8/1977	Torokvei .
4,071,162	1/1978	Steinlein et al. .
4,095,720	6/1978	Delbrouck et al. .
4,101,049	7/1978	Wallace et al. .
4,105,117	8/1978	Atkin et al. .
4,120,444	10/1978	Gray .
4,161,259	7/1979	Palafox .
4,162,738	7/1979	Wright .
4,202,448	5/1980	Jaeger et al. .
4,204,596	5/1980	Davis .
4,319,685	3/1982	David .
4,344,530	8/1982	deLarosiere .
4,349,121	9/1982	Lafferty .
4,410,099	10/1983	deLarosiere .
4,416,373	11/1983	deLarsiere .
4,520,941	6/1985	Hagan et al. .
4,548,320	10/1985	Box .
4,619,371	10/1986	Rehrig .
4,671,411	6/1987	Rehrig et al. .
4,700,836	10/1987	Hammett .
4,700,837	10/1987	Hammett .
4,759,451	7/1988	Apps .
4,773,554	9/1988	Warwick .
4,789,063	12/1988	Hammett .
4,823,955	4/1989	Apps .
4,848,580	7/1989	Wise .
4,899,874	2/1990	Apps et al. .
4,932,532	6/1990	Apps et al. .
4,978,002	12/1990	Apps et al. .
5,031,774	7/1991	Morris et al. .
5,060,819	10/1991	Apps .
5,071,026	12/1991	Apps .
5,184,748	2/1993	Apps .
5,335,814	8/1994	Hepp .
5,651,461	7/1997	Apps et al. .
B1 4,344,530	3/1988	deLarosiere .

FOREIGN PATENT DOCUMENTS

1207268	12/1965	Germany .
1486412	5/1969	Germany .
6505562	10/1966	Netherlands .
943947	12/1963	United Kingdom .
1032916	6/1966	United Kingdom .
1115343	5/1968	United Kingdom .
1120067	7/1968	United Kingdom .
1152038	5/1969	United Kingdom .
1312701	4/1973	United Kingdom .
1319726	6/1973	United Kingdom .
1330778	8/1973	United Kingdom .
2079256	1/1982	United Kingdom .
2135278	8/1984	United Kingdom .
2158044	11/1985	United Kingdom .
WO 82/01536	5/1982	WIPO .
WO 92/15758	12/1990	WIPO .

OTHER PUBLICATIONS

- Exhibit M: Copy of a brochure illustrating an embodiment of GB No. 2,158,004/U.S. D289,938.
- Exhibit N: Copy of a brochure illustrating an embodiment of U.S. Patent No.4,773,554 & an embodiment of GB No. 2,158,044/U.S. D289,938.
- Exhibit O: Four photos of an embodiment of U.S. Patent No. 4,344,530 to deLarosiere.

Des. 410,778

Page 3

Exhibit P: Two photos of an embodiment of U.S. Patent No. 4,700,837 to Hammett.

Exhibit Q: Four photos of an embodiment of U.S. Patent No. 4,344,530 for 3-liter PET bottles.

Exhibit R: Four photos of a modified embodiment of U.S. Patent No. 4,700,837 for 3-liter PET bottles.

Exhibit S: Three photos of an embodiment of U.S. Patent No. 3,392,869 to Needt.

Exhibit T: Four photos of a prior art crate of Rehrig-Pacific Company, Model No. PLBC-8-2L-HD.

Exhibit U: Four photos of a prior art crate of Rehrig-Pacific Company Model No. PLBC-6-2L-HD.

Exhibit V: Four photos of a prior art crate Rehrig-Pacific Company, Model No. PLBC-8-2L-PET-QD.

Exhibits W & X: Brochures including a PBC-6-2L (LO) crate for 2-liter bottles.

Exhibit Y: Brochure and photo, "Interlocking bottom grid. Cross stackable".

Exhibit Z: One-page brochure disclosing a prior art 2-liter PET case having a plurality of notches on the top wall.

Exhibit AA: One-page brochure illustrating a prior art 2-liter PET case.

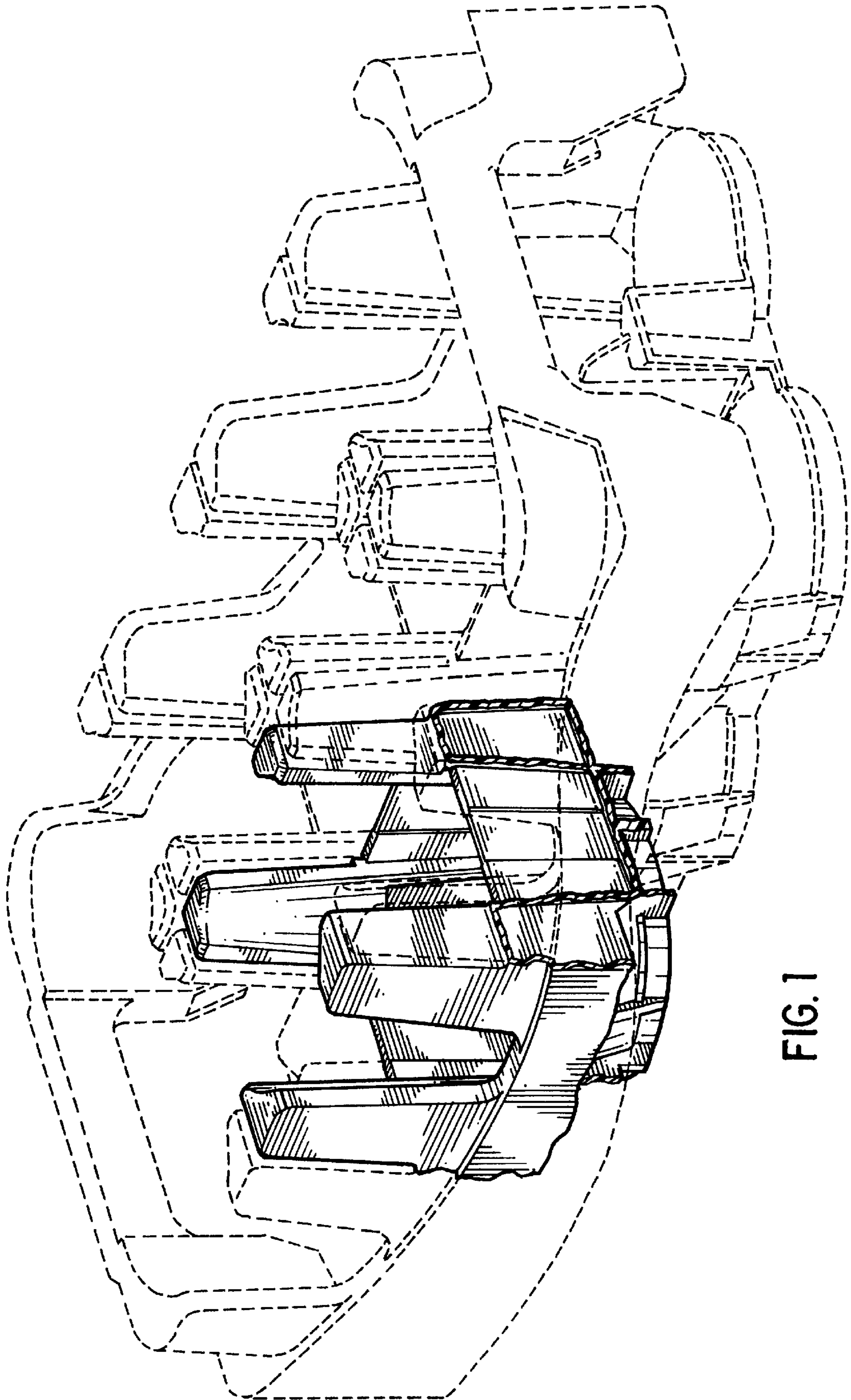


FIG. 1

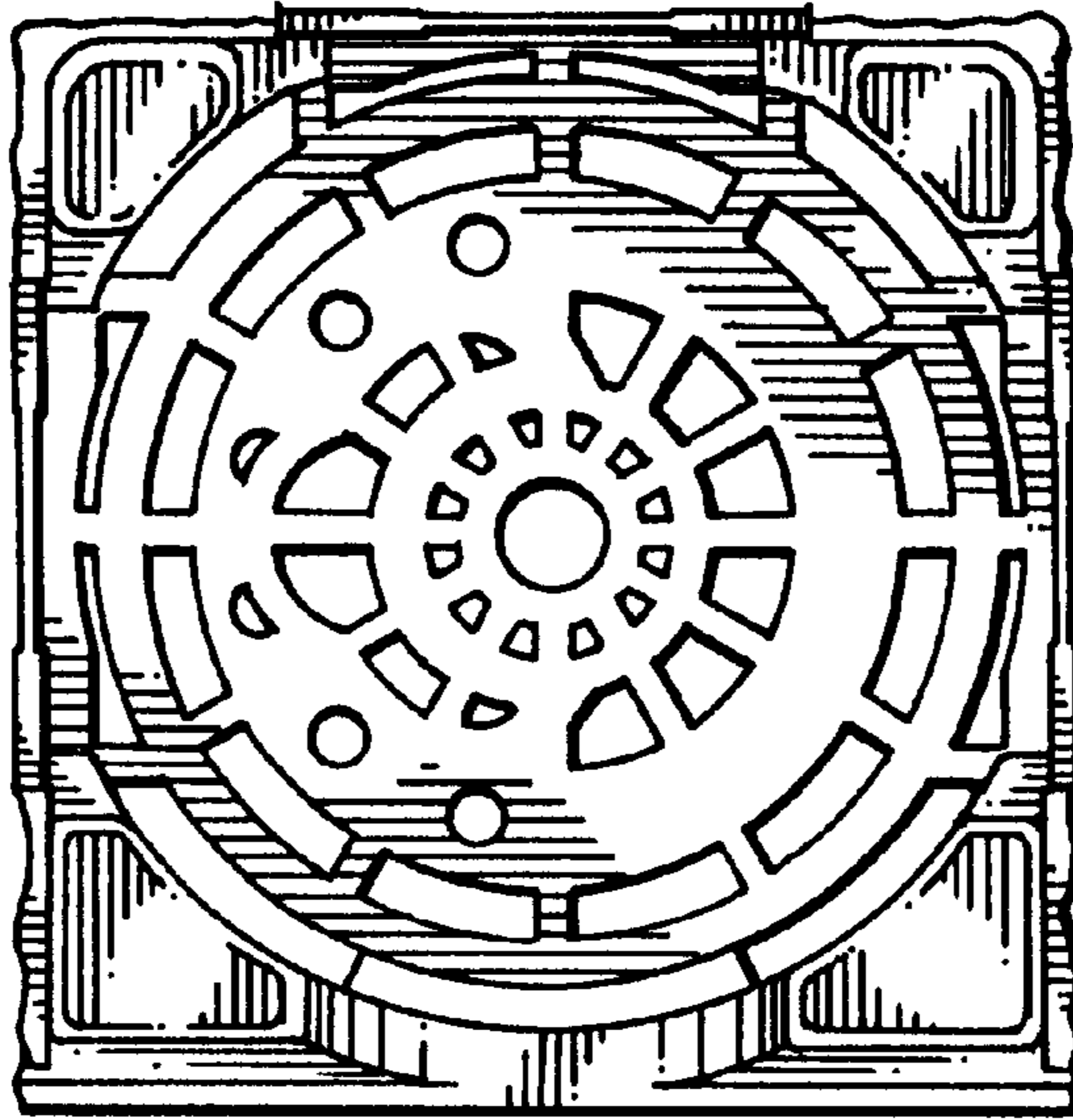


FIG. 2

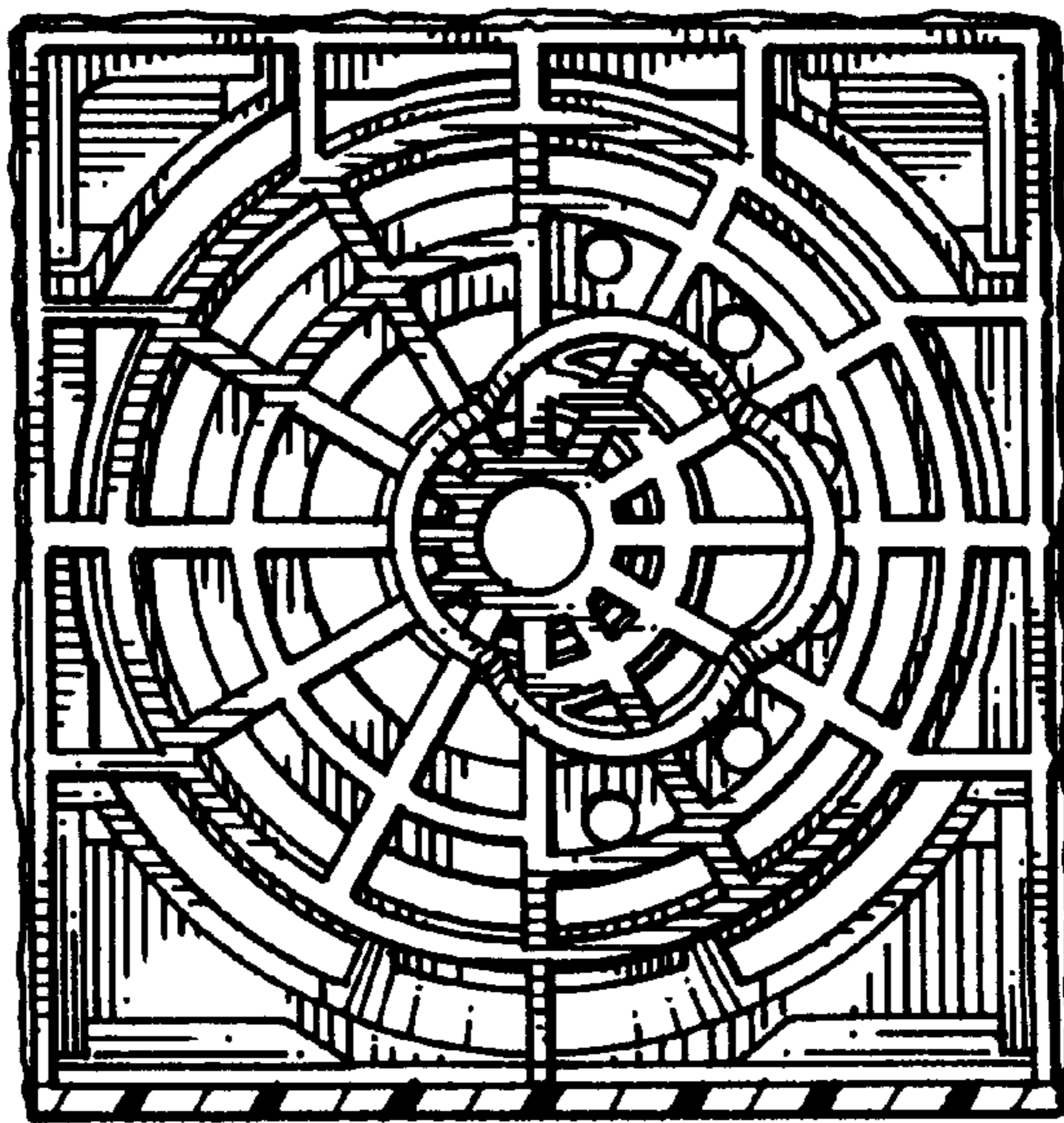


FIG. 3