



US00D410771S

United States Patent [19] Chang

[11] **Patent Number: Des. 410,771**
[45] **Date of Patent: ** Jun. 8, 1999**

[54] **HOLDER FOR KEY RING**

D. 383,304 9/1997 Van Osch D3/208

[76] Inventor: **Gin-Sung Chang**, No. 229-21,
Kuang-Ming Rd., Chien-Chu Tsun,
Chien-Chu Tsun, Wu-Jih Hsiang,
Taichung Hsien, Taiwan

Primary Examiner—Ralf Seifert
Attorney, Agent, or Firm—Ladas & Parry

[**] Term: **14 Years**

[57] **CLAIM**

The ornamental design for holder for key ring, as shown and described.

[21] Appl. No.: **29/089,337**

DESCRIPTION

[22] Filed: **Jun. 12, 1998**

FIG. 1 is a perspective view of holder for key ring showing my new design;

[51] **LOC (6) Cl.** **03-01**

FIG. 2 is a front elevational view thereof;

[52] **U.S. Cl.** **D3/208; D10/119**

FIG. 3 is a rear elevational view thereof;

[58] **Field of Search** D3/207-212; D21/405;
D19/38; D10/119; 70/456 R, 456 B; 24/3

FIG. 4 is a left side elevational view thereof;

FIG. 5 is a right side elevational view thereof;

FIG. 6 is a top plan view thereof;

FIG. 7 is a bottom plan view thereof;

FIG. 8 is another perspective view thereof; and,

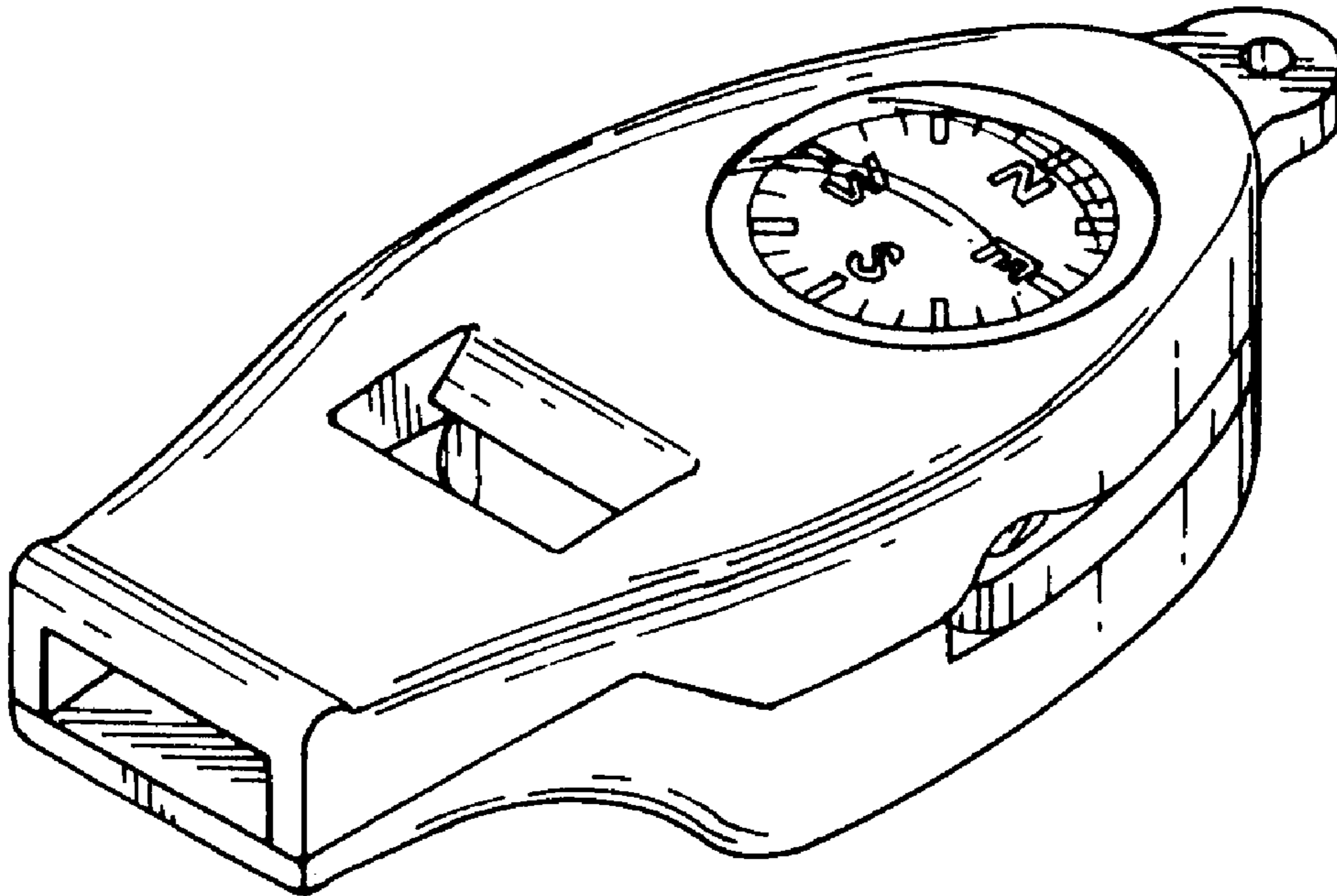
FIG. 9 is a perspective view with key ring shown in broken lines.

[56] **References Cited**

U.S. PATENT DOCUMENTS

D. 76,516	10/1928	Zisch	D10/119
D. 331,904	9/1991	Johnson et al.	D3/208
D. 366,229	1/1996	Barnett	D3/208
D. 366,358	1/1996	Ravizza	D3/211

1 Claim, 4 Drawing Sheets



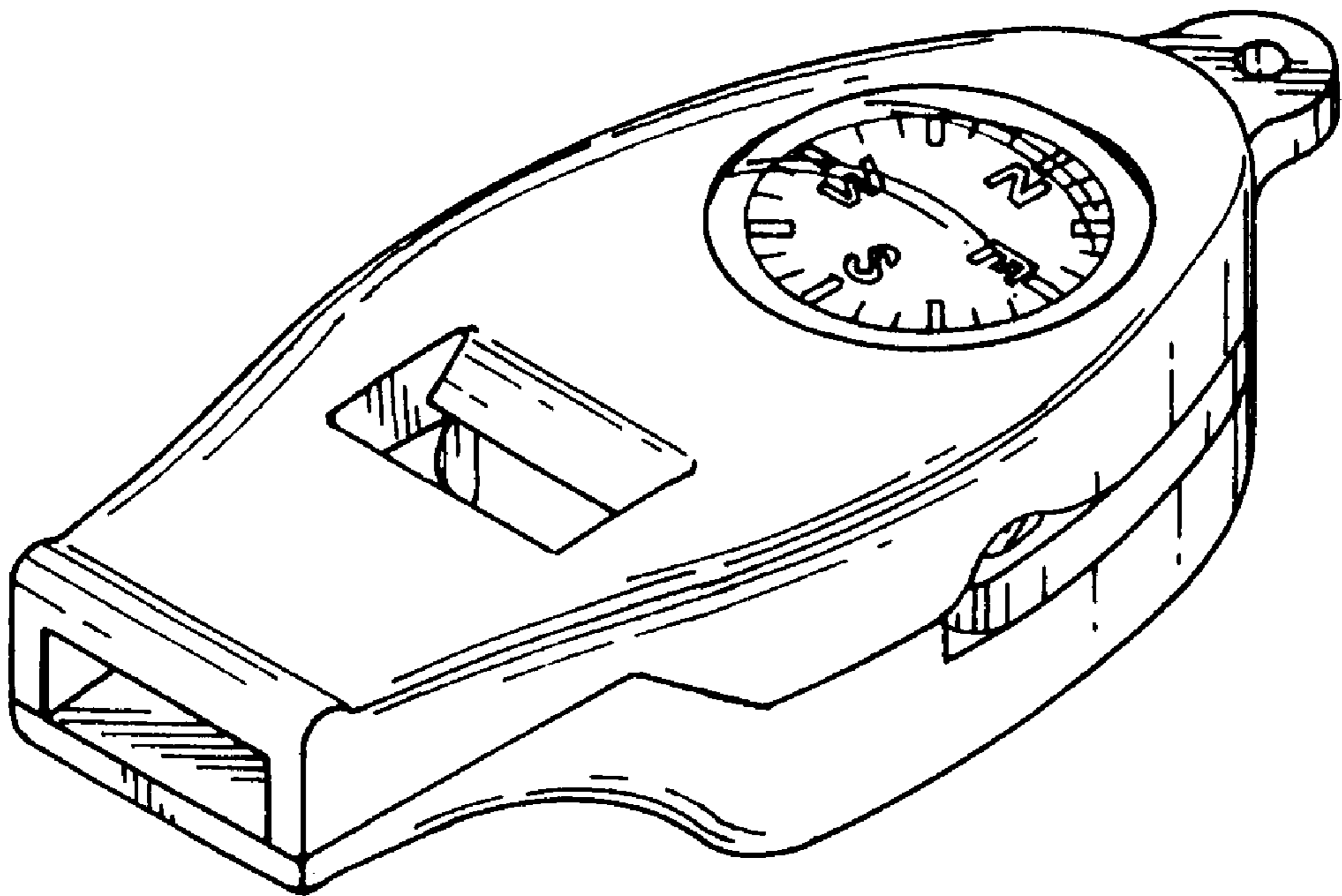


FIG. 1

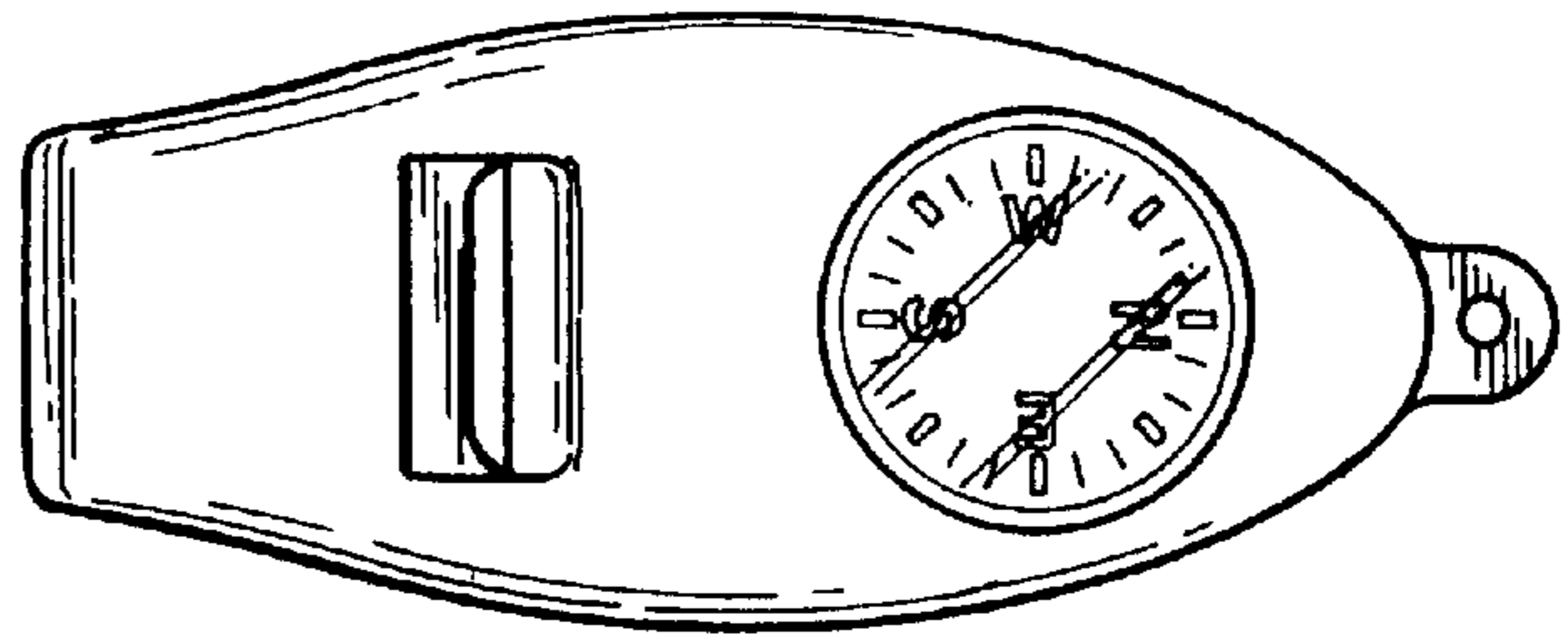


FIG. 6

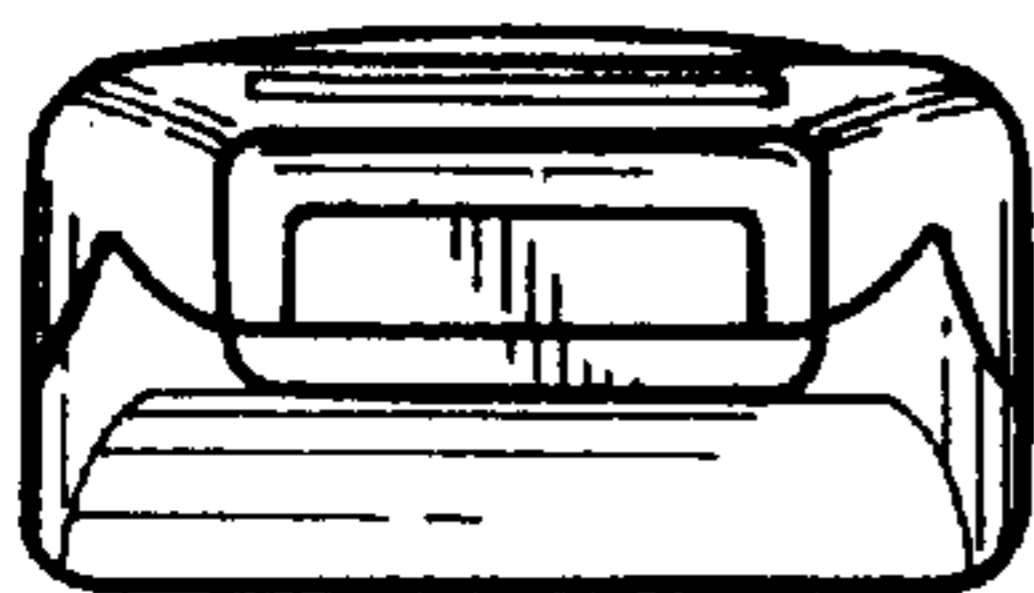


FIG. 4

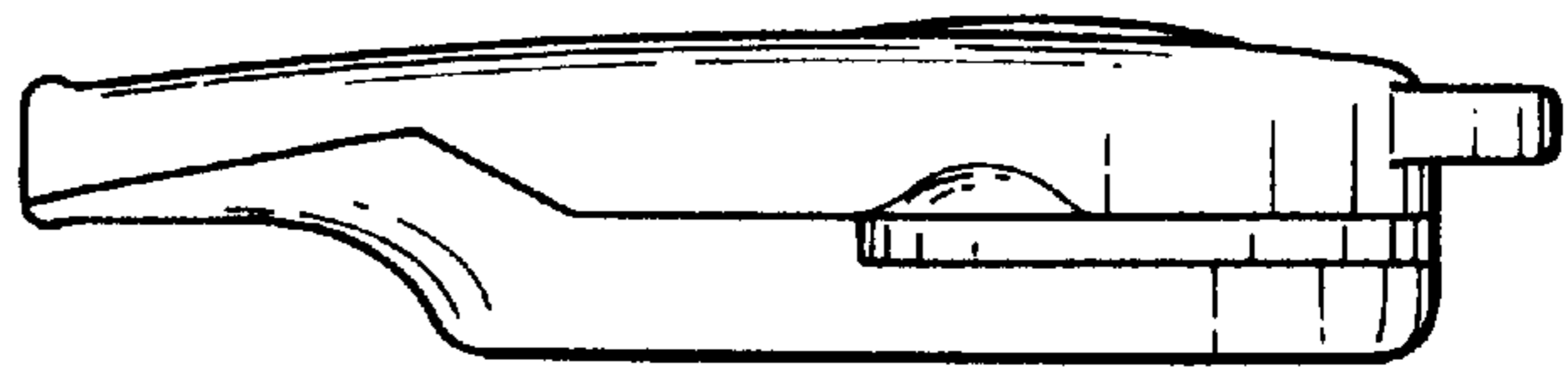


FIG. 2

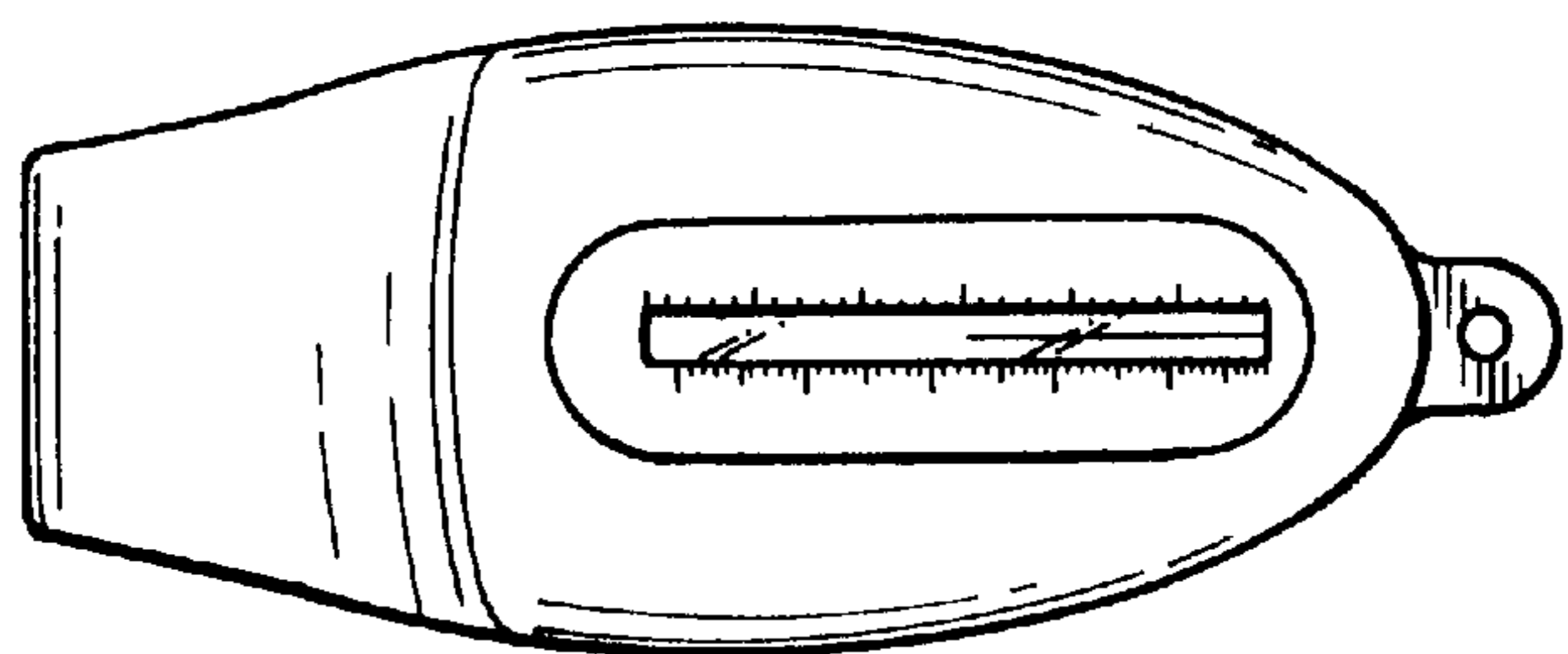


FIG. 7

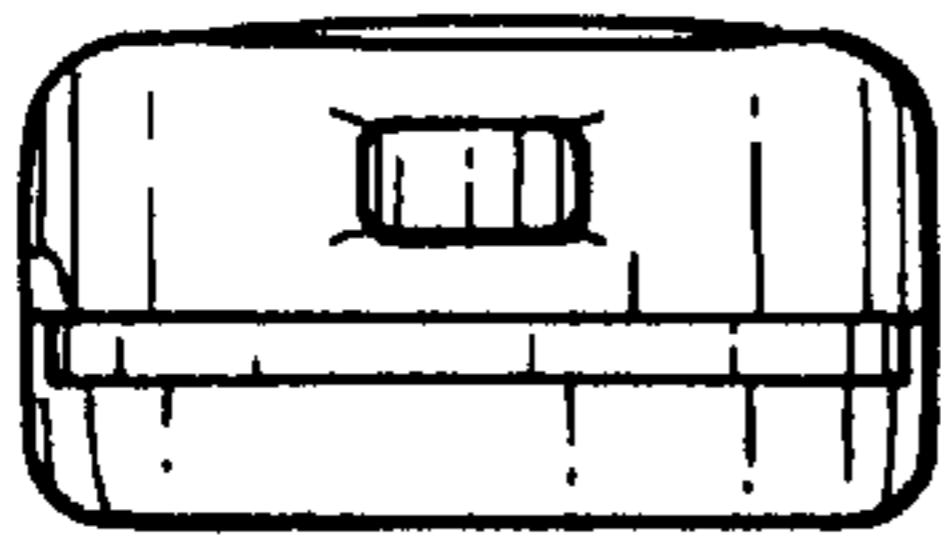


FIG. 5

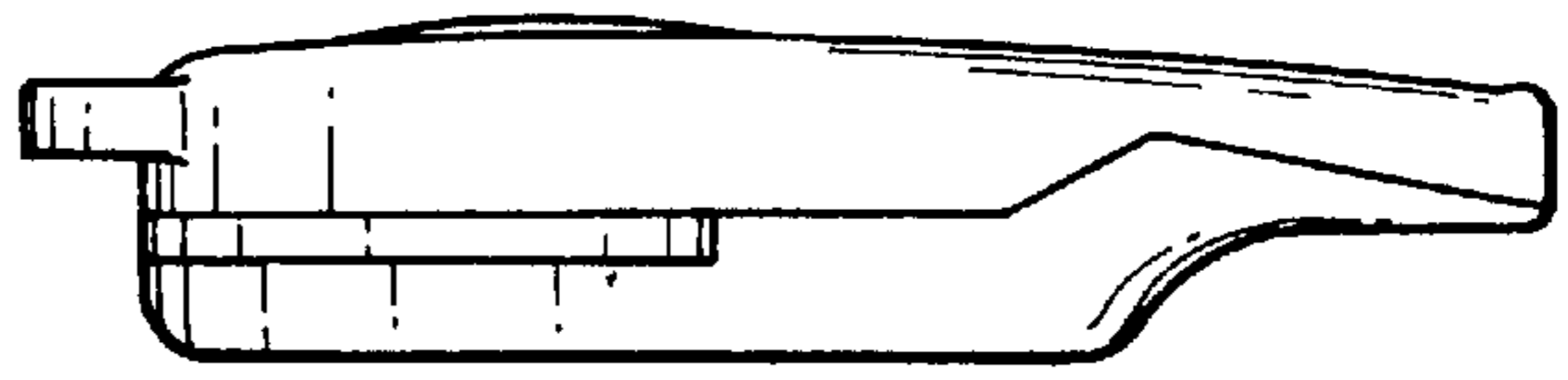


FIG. 3

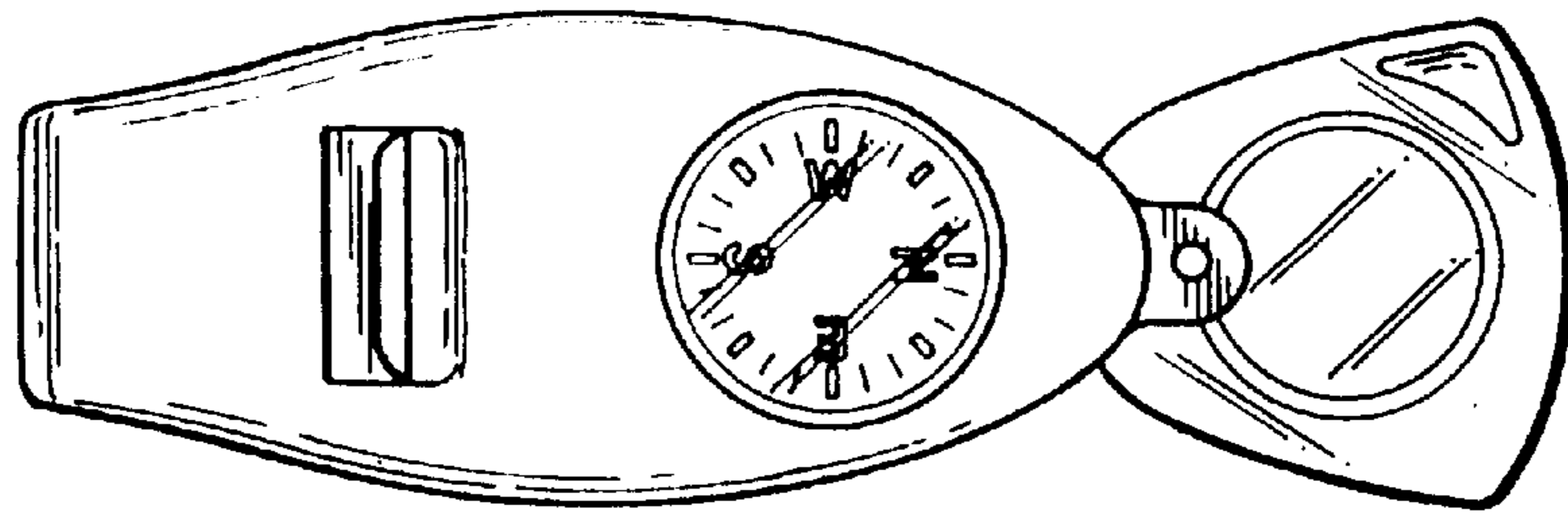


FIG. 8

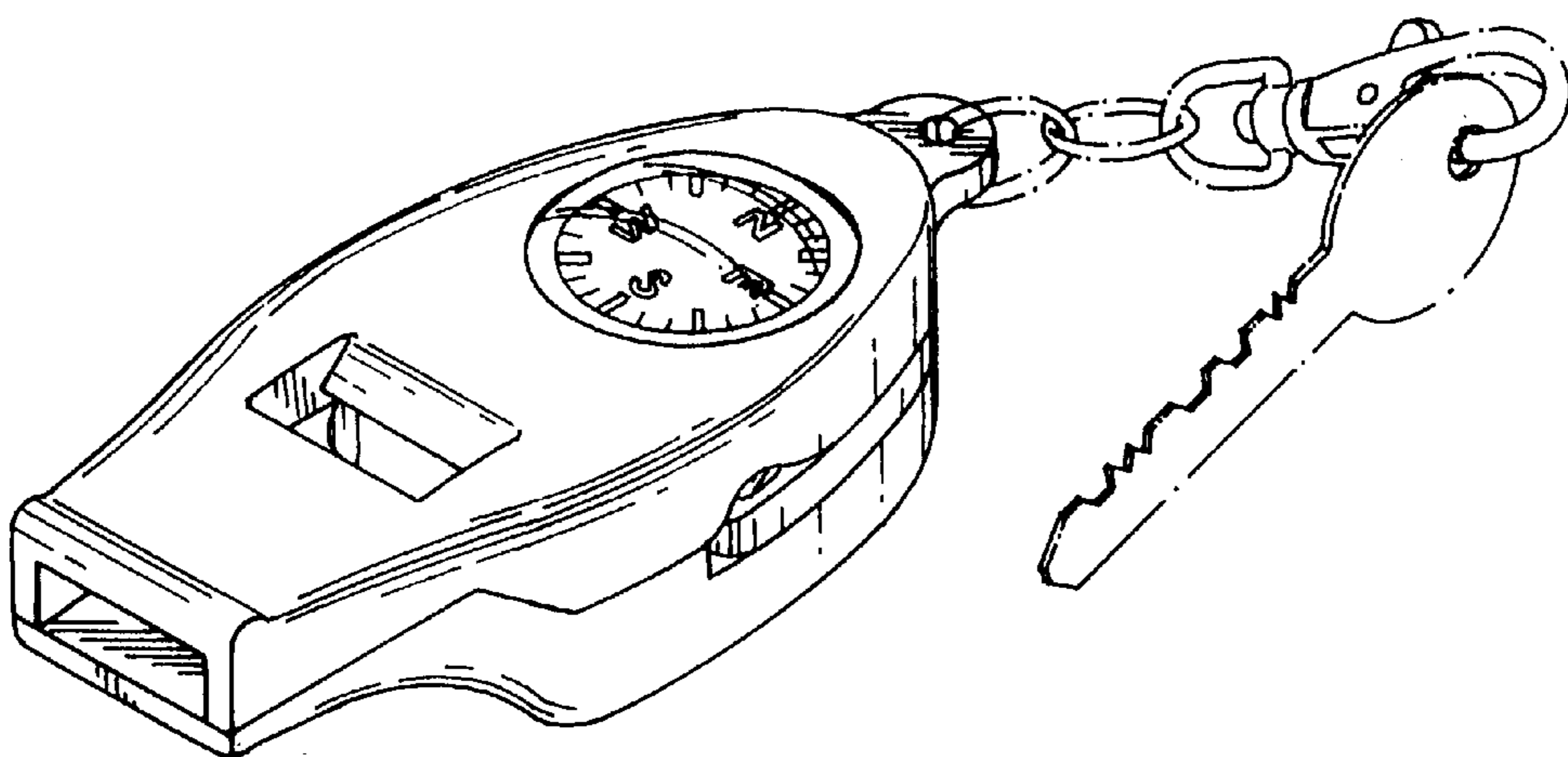


FIG. 9