



US00D410765S

# United States Patent [19] Gawryk

[11] **Patent Number: Des. 410,765**

[45] **Date of Patent: \*\* Jun. 8, 1999**

[54] **CIGAR HUMIDIFIER**

5,011,009 4/1991 Scheurer ..... 206/270

[75] Inventor: **Fred T. Gawryk**, 4137 N. Dickinson Ave., Chicago, Ill. 60641

*Primary Examiner*—Susan J. Lucas  
*Assistant Examiner*—Jennifer Rivard

[73] Assignee: **Fred T. Gawryk**, Chicago, Ill.

[57] **CLAIM**

[\*\*] Term: **14 Years**

The ornamental design for a cigar humidifier, as shown and described.

[21] Appl. No.: **29/079,510**

### DESCRIPTION

[22] Filed: **Nov. 18, 1997**

[51] **LOC (6) Cl.** ..... **27-06**

[52] **U.S. Cl.** ..... **D27/189; D27/183**

[58] **Field of Search** ..... D27/183, 186, D27/189, 190; 220/8; 131/329, 237.5, 175, 349; 206/266, 269, 270, 268, 242; 312/31.1

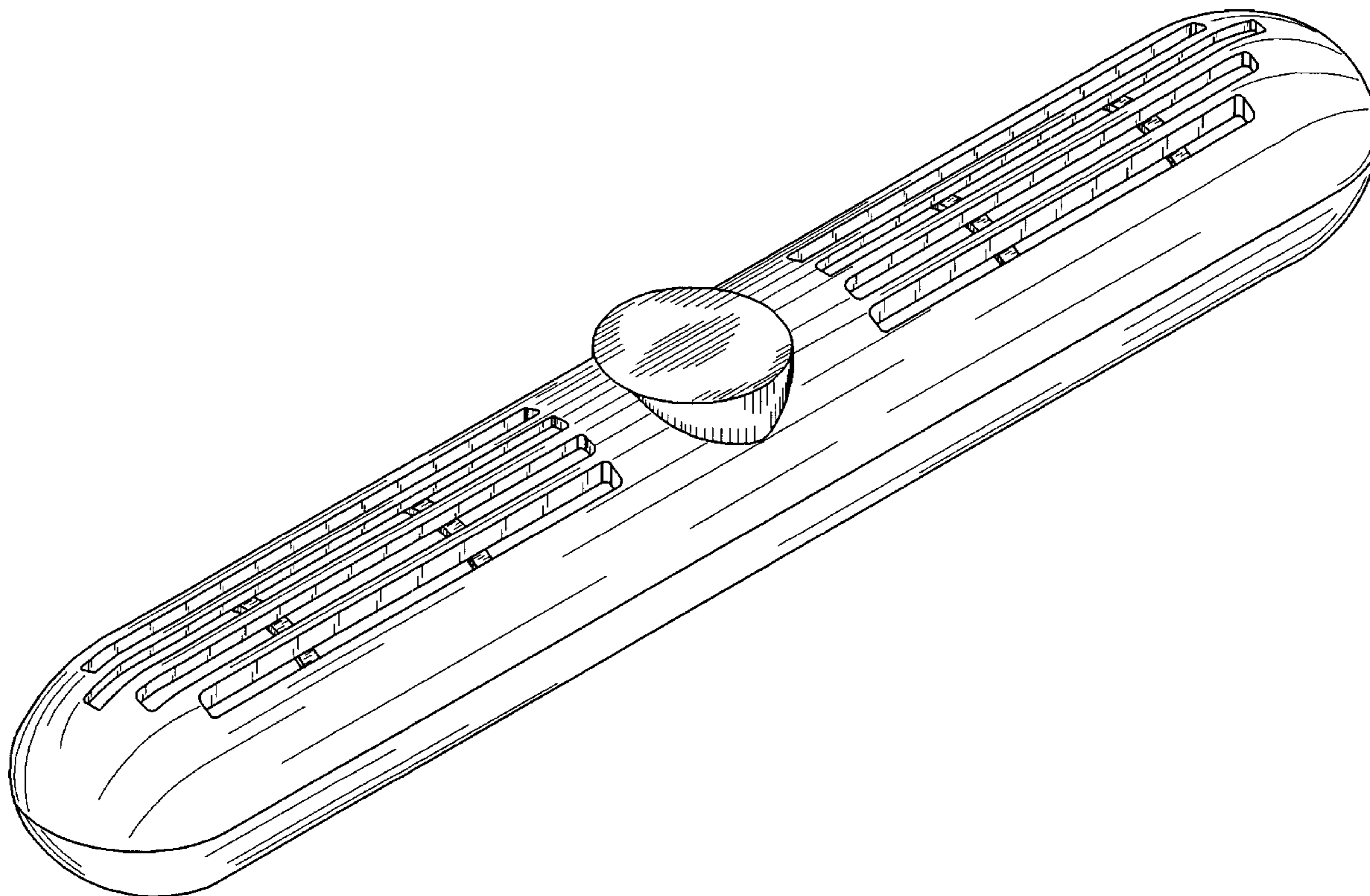
FIG. 1 is a perspective view of the cigar humidifier;  
FIG. 2 is a front elevational view thereof;  
FIG. 3 is a rear elevational view thereof;  
FIG. 4 is a top plan view thereof;  
FIG. 5 is a bottom plan view thereof;  
FIG. 6 is a left side elevational view thereof; and,  
FIG. 7 is a right side elevational view thereof.

[56] **References Cited**

#### U.S. PATENT DOCUMENTS

3,132,909 5/1964 Josefson ..... 312/31.1

**1 Claim, 4 Drawing Sheets**



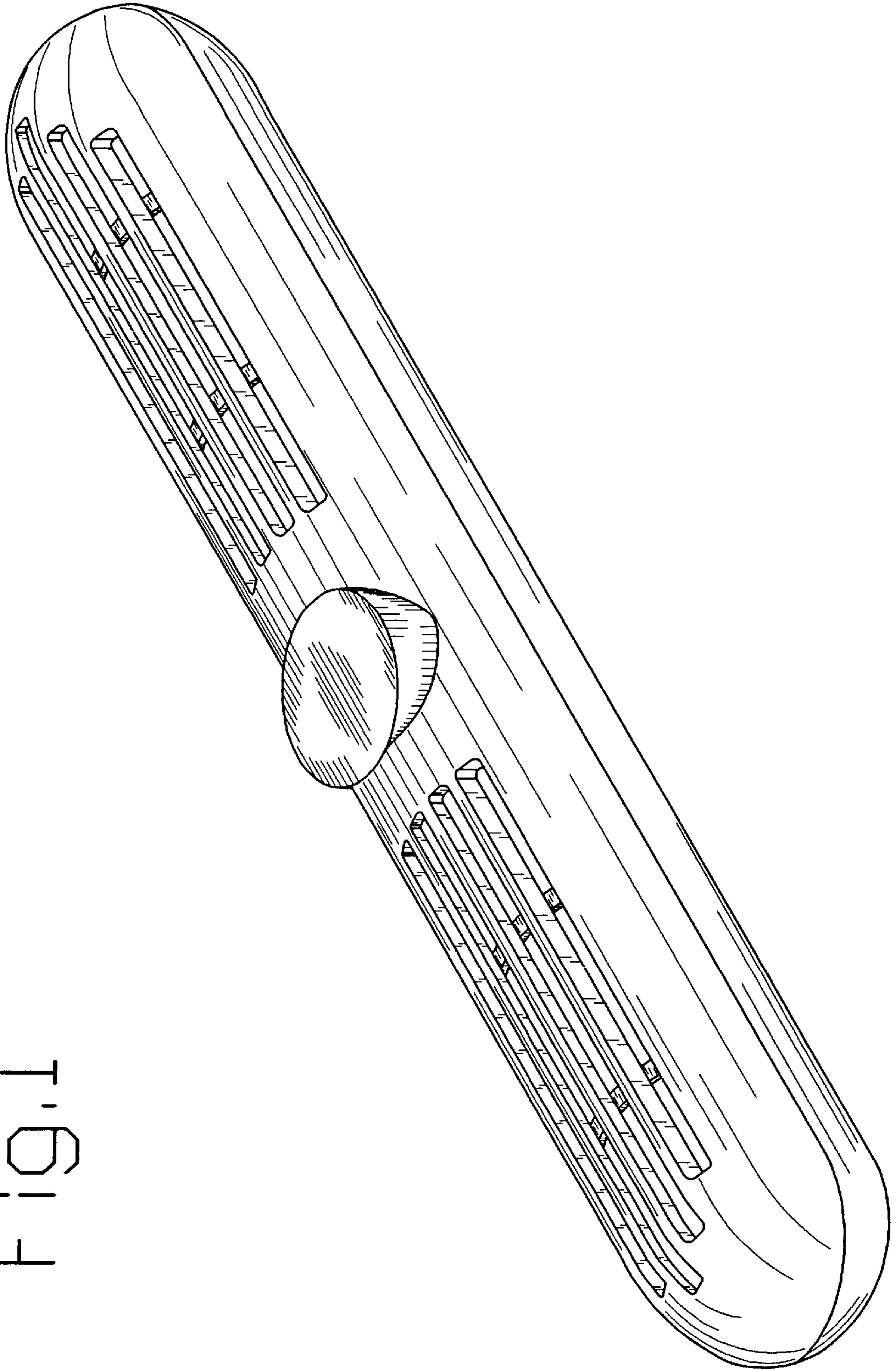


FIG. 1

Fig. 2

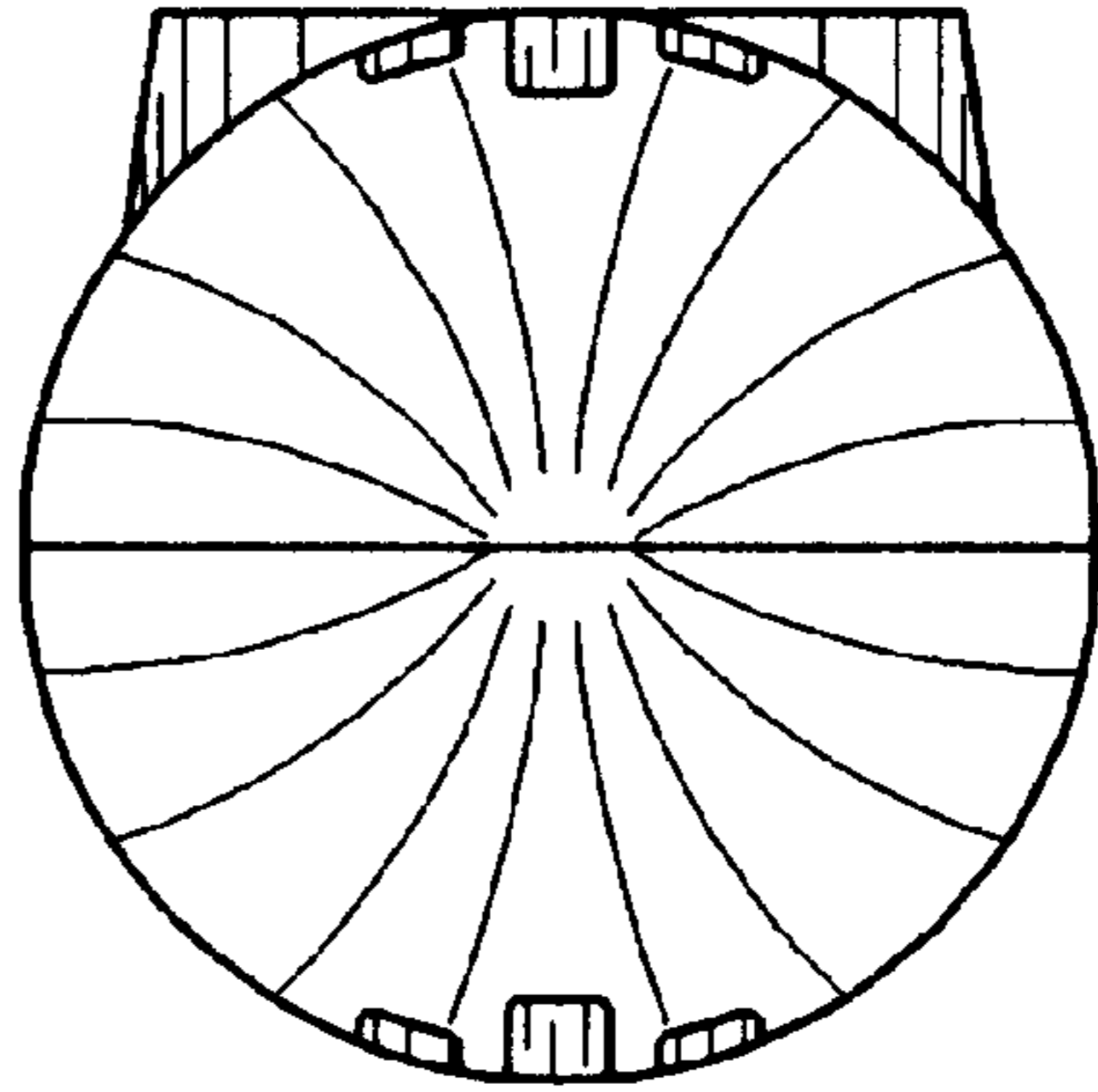


Fig. 3

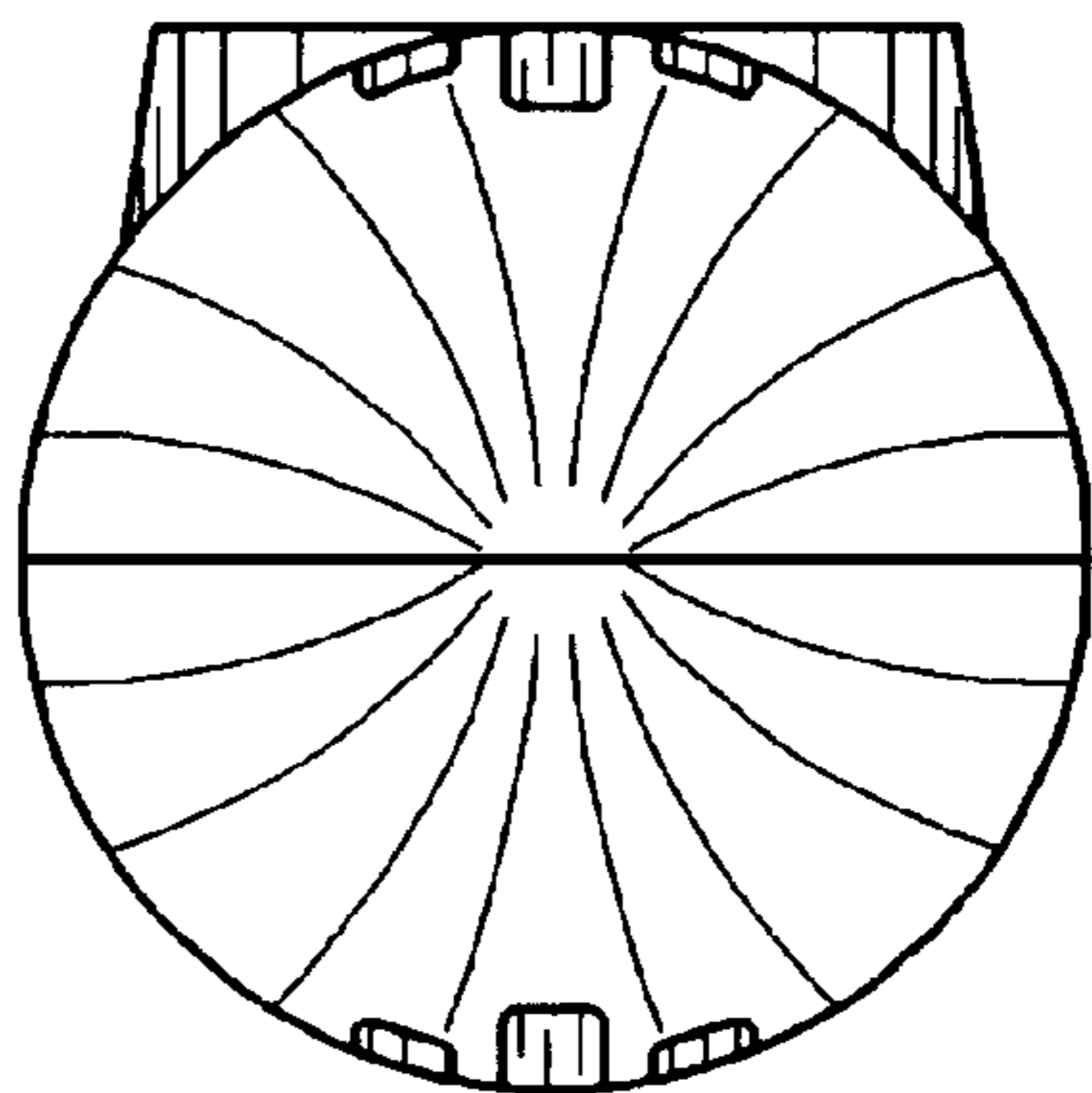


FIG. 4

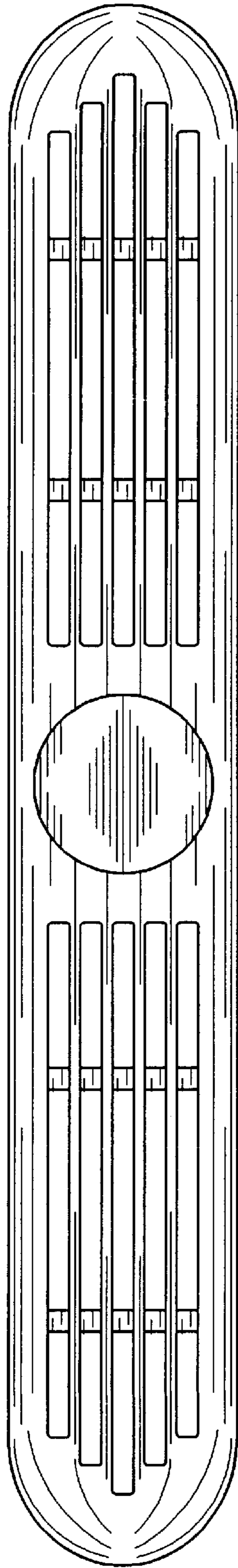


FIG. 5

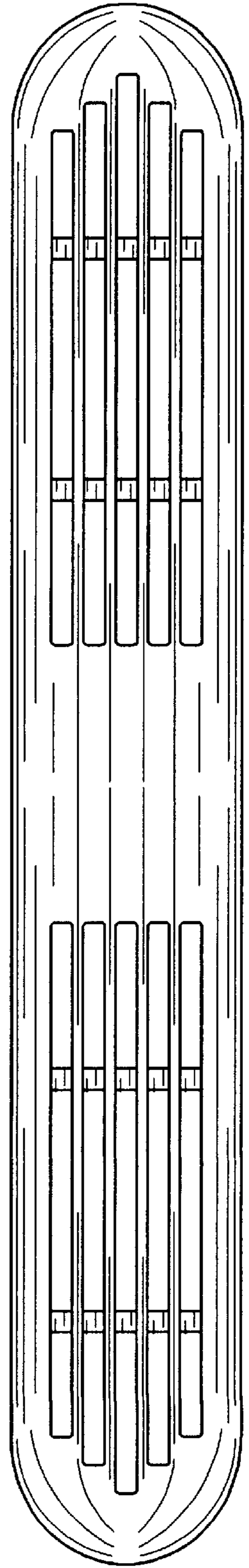


FIG. 6

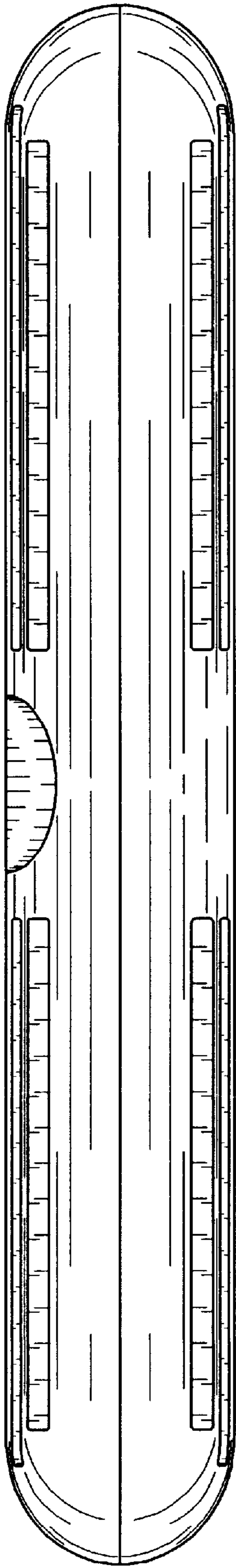


FIG. 7

