



US00D410761S

# United States Patent [19] Chiu

[11] **Patent Number: Des. 410,761**  
[45] **Date of Patent: \*\* Jun. 8, 1999**

[54] **FLASHLIGHT**

[76] **Inventor: Si Fu Chiu**, Unit 10, 19th Floor,  
Technology Plaza, 29-35 Sha Tsui Road,  
Tsuen Wan, New Territories, The Hong  
Kong Special Administrative Region of  
the People's Republic of China

[\*\*] **Term: 14 Years**

[21] **Appl. No.: 29/090,798**

[22] **Filed: Jul. 16, 1998**

[51] **LOC (6) Cl. .... 26-02**

[52] **U.S. Cl. .... D26/49**

[58] **Field of Search** ..... D26/37-50; 362/157,  
362/158, 160, 161, 168, 171, 173, 178,  
179, 180, 183-208

[56] **References Cited**

**U.S. PATENT DOCUMENTS**

- D. 177,091 3/1956 Garland ..... D26/49
- D. 198,468 6/1964 Doring ..... D26/49

- D. 231,560 4/1974 Keller ..... D26/49
- D. 307,057 4/1990 Seok ..... D26/49
- D. 351,477 10/1994 Bamber ..... D26/37
- D. 360,045 7/1995 Inukai ..... D26/49
- D. 368,147 3/1996 Bamber et al. .... D26/49
- D. 395,722 6/1998 Howard et al. .... D26/49

*Primary Examiner*—Marcus A. Jackson  
*Attorney, Agent, or Firm*—Browning Bushman

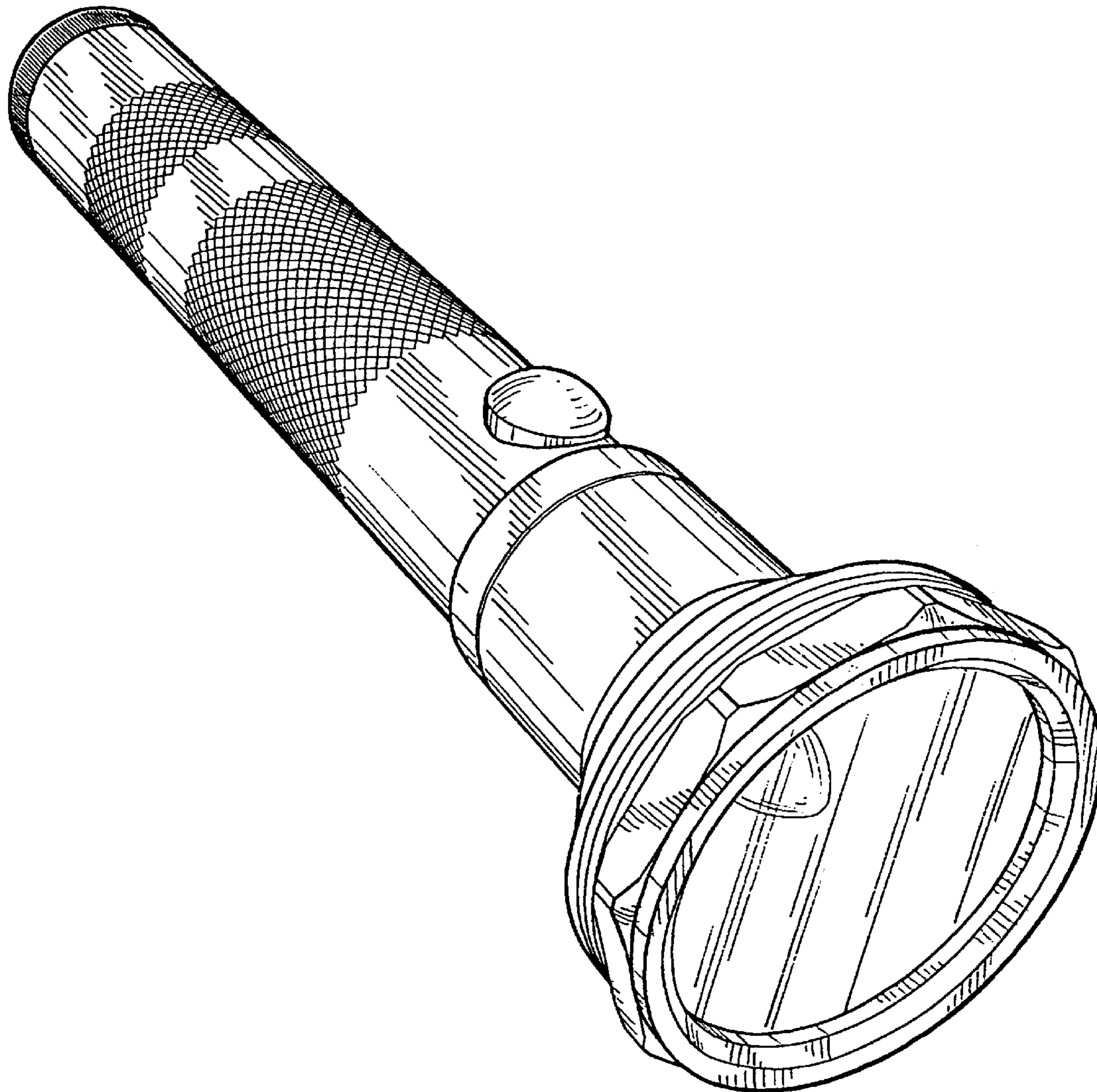
[57] **CLAIM**

The ornamental design for a flashlight, as shown and described.

**DESCRIPTION**

FIG. 1 is a front end perspective view of a flashlight showing my new design;  
FIG. 2 is a left side elevational view thereof;  
FIG. 3 is a bottom plan view thereof;  
FIG. 4 is a front end elevational view thereof;  
FIG. 5 is a right side elevational view thereof;  
FIG. 6 is a top plan view thereof; and,  
FIG. 7 is a rear end elevational view thereof.

**1 Claim, 3 Drawing Sheets**



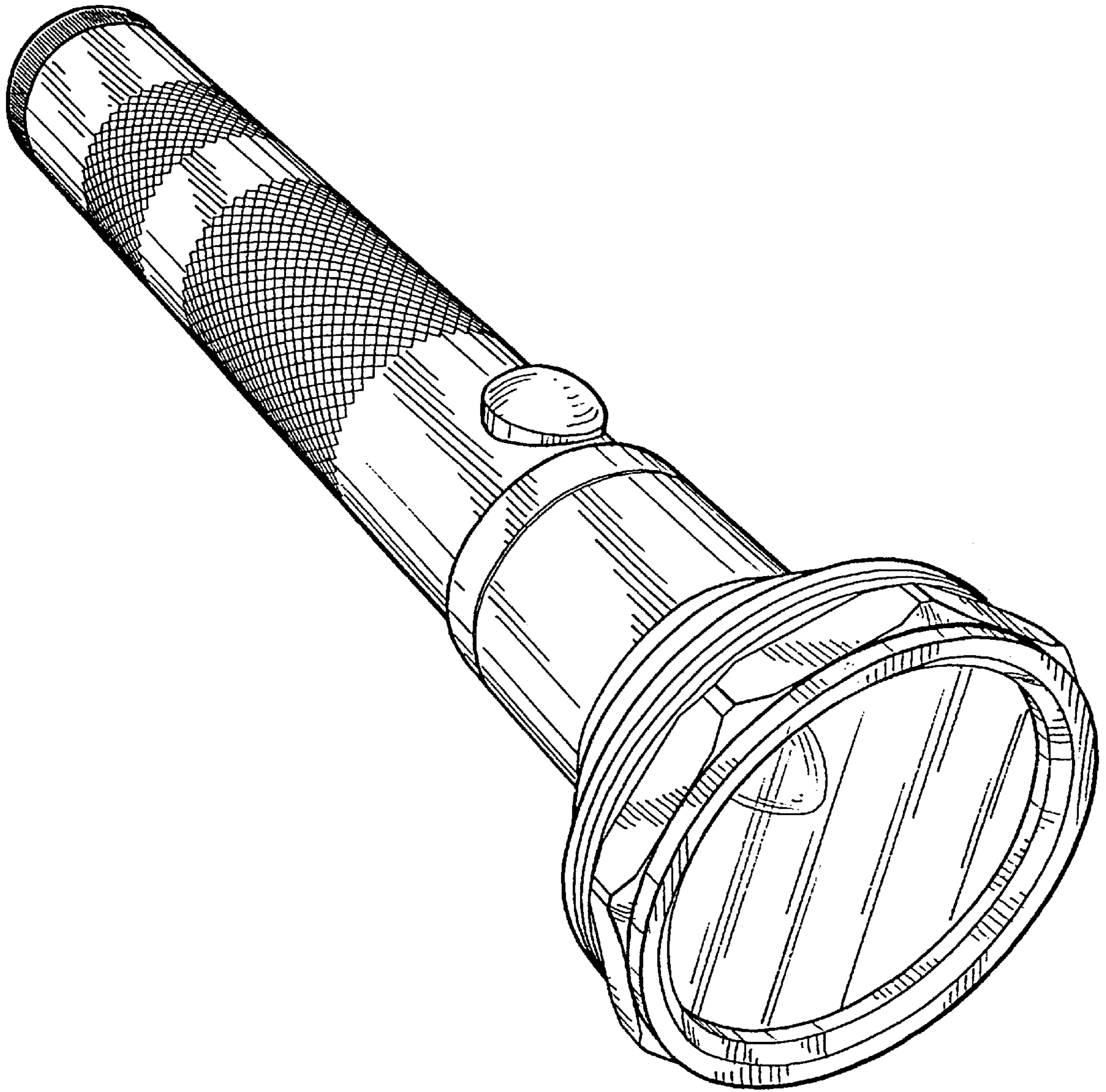


FIG. 1



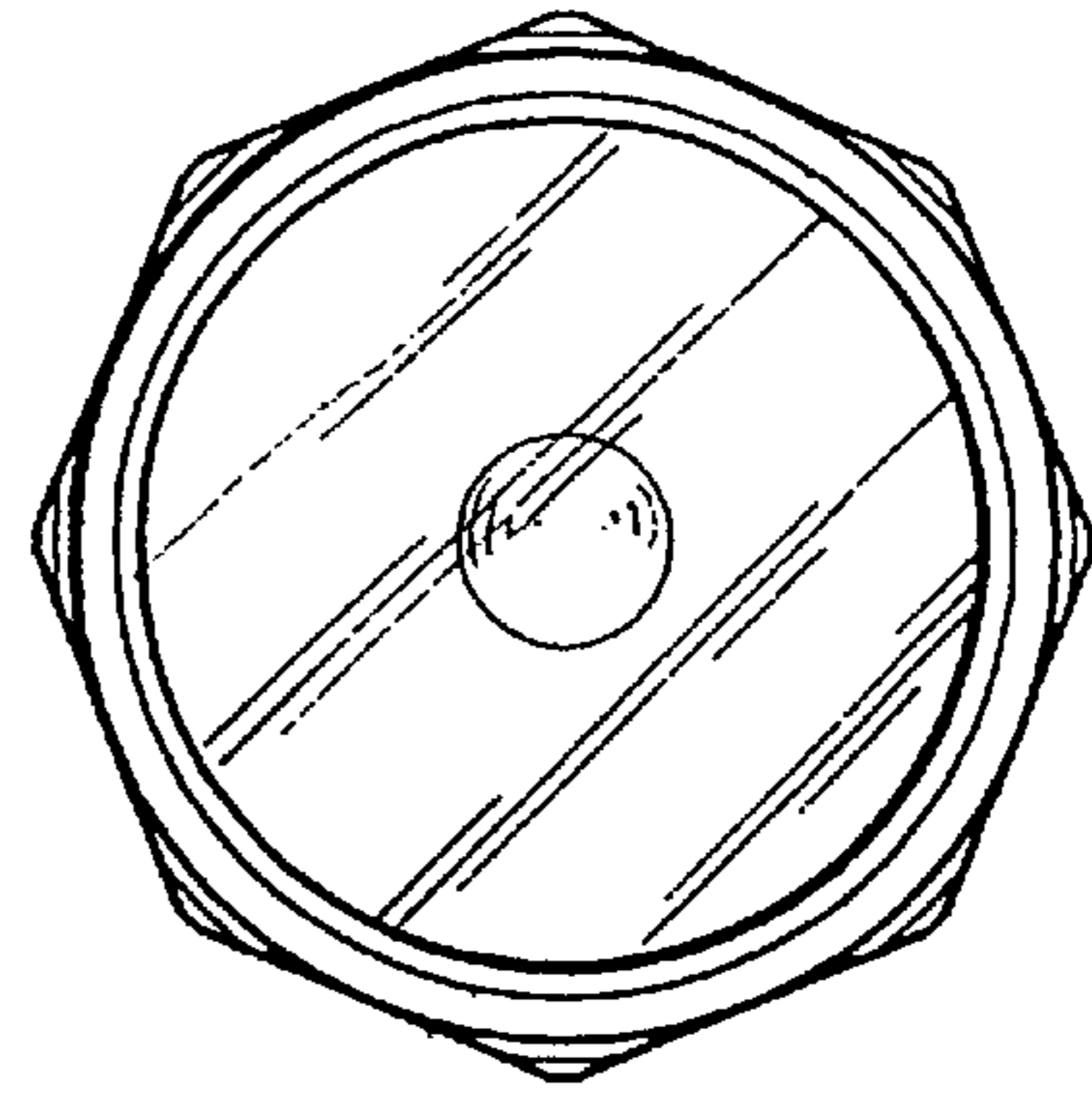


FIG. 4

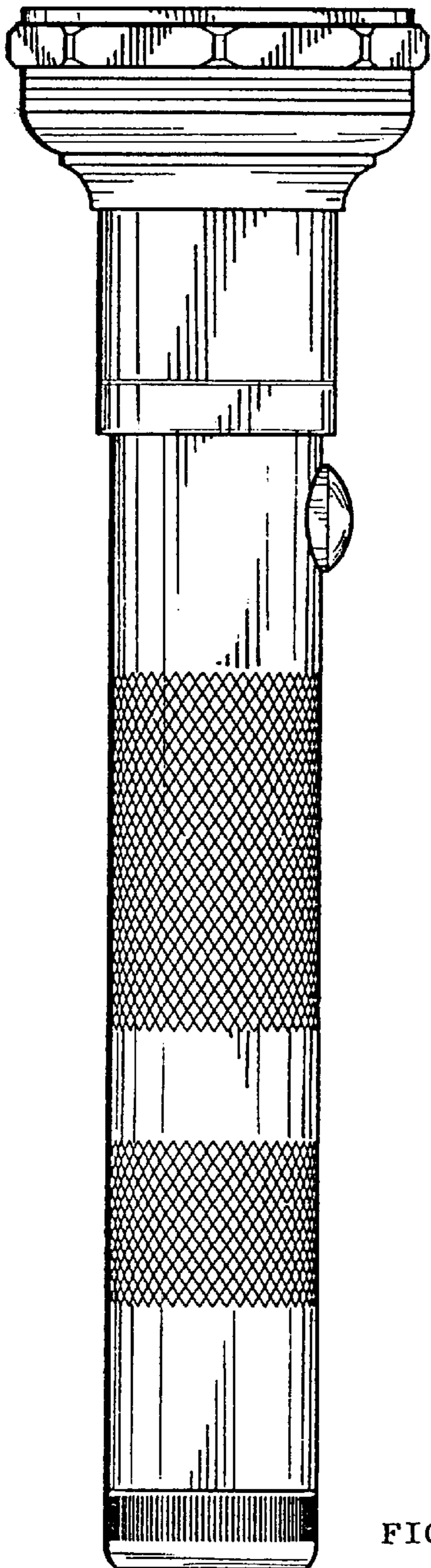


FIG. 2

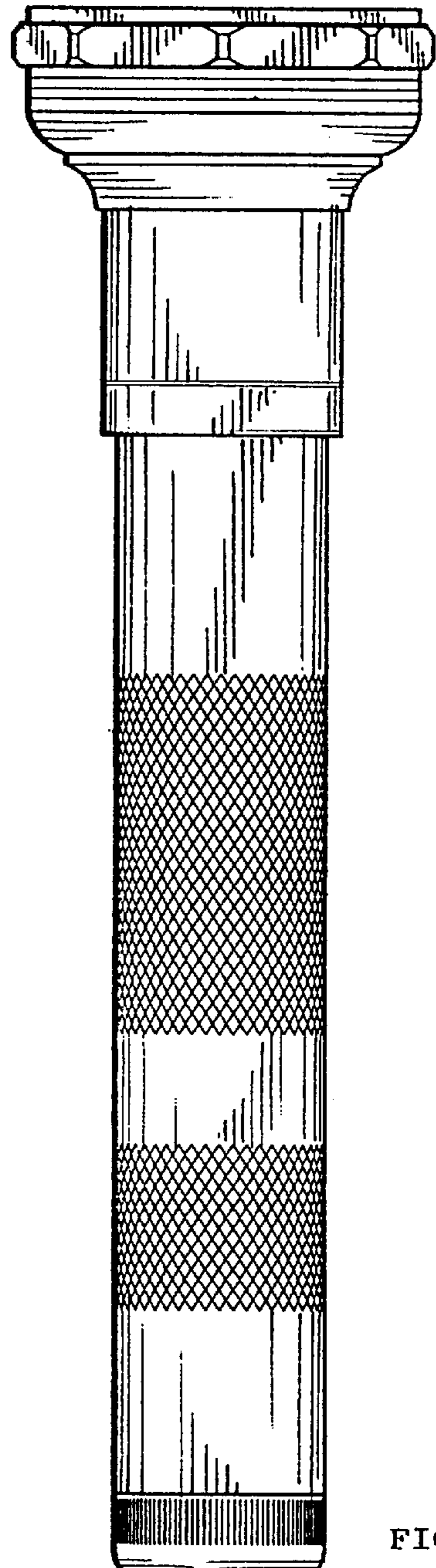


FIG. 3

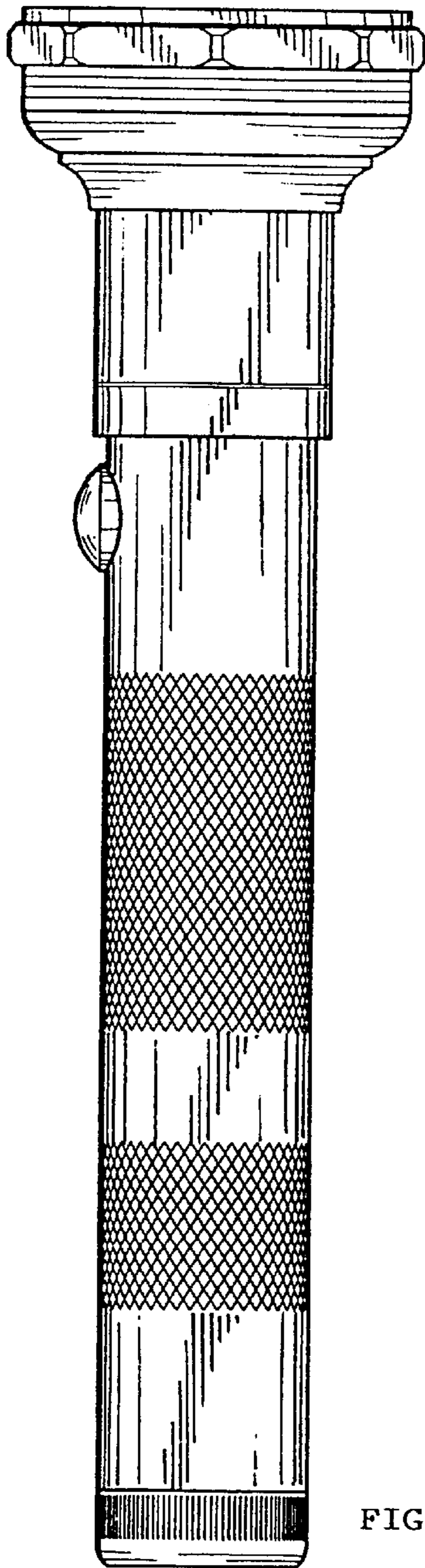


FIG. 5

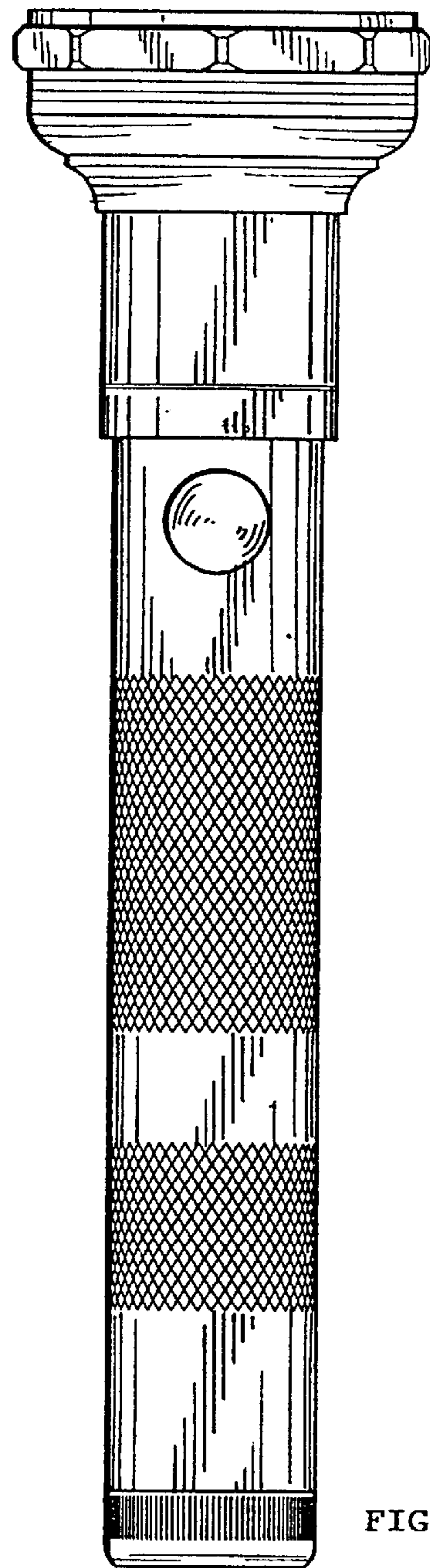


FIG. 6

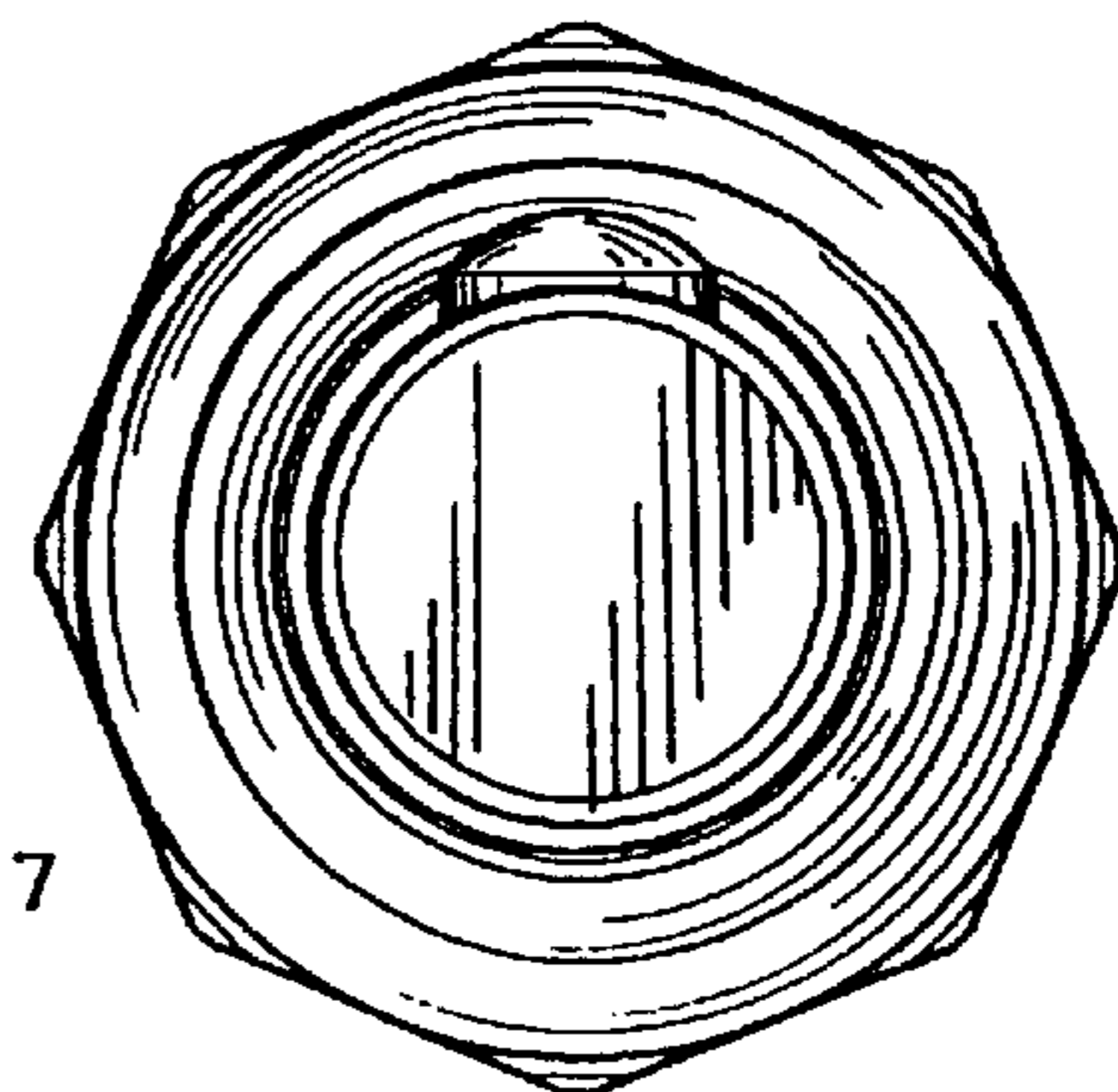


FIG. 7