



US00D410760S

United States Patent [19]

Yao

[11] Patent Number: **Des. 410,760**

[45] Date of Patent: **** Jun. 8, 1999**

[54] **COMBINED FLASHLIGHT AND TOOL BOX**

D. 389,593 1/1998 Shiao D26/38
D. 393,784 4/1998 Zee D26/38

[76] Inventor: **Ghing Hsiu Yao**, P.O. Box 63-99,
Taichung, Taiwan

Primary Examiner—Marcus A. Jackson

[**] Term: **14 Years**

[57] **CLAIM**

[21] Appl. No.: **29/090,581**

The ornamental design for a combined flashlight and tool box, as shown and described.

[22] Filed: **Jul. 10, 1998**

DESCRIPTION

[51] **LOC (6) Cl.** **26-02**

FIG. 1 is a perspective view of a combined flashlight and tool box showing my new design;

[52] **U.S. Cl.** **D26/38**

FIG. 2 is a front elevational view thereof;

[58] **Field of Search** D26/37-50; D3/274,
D3/276, 282, 905; 362/157, 158, 183-208

FIG. 3 is a rear elevational view thereof;

FIG. 4 is a left side elevational view thereof;

FIG. 5 is a right side elevational view thereof;

FIG. 6 is a top plan view thereof; and,

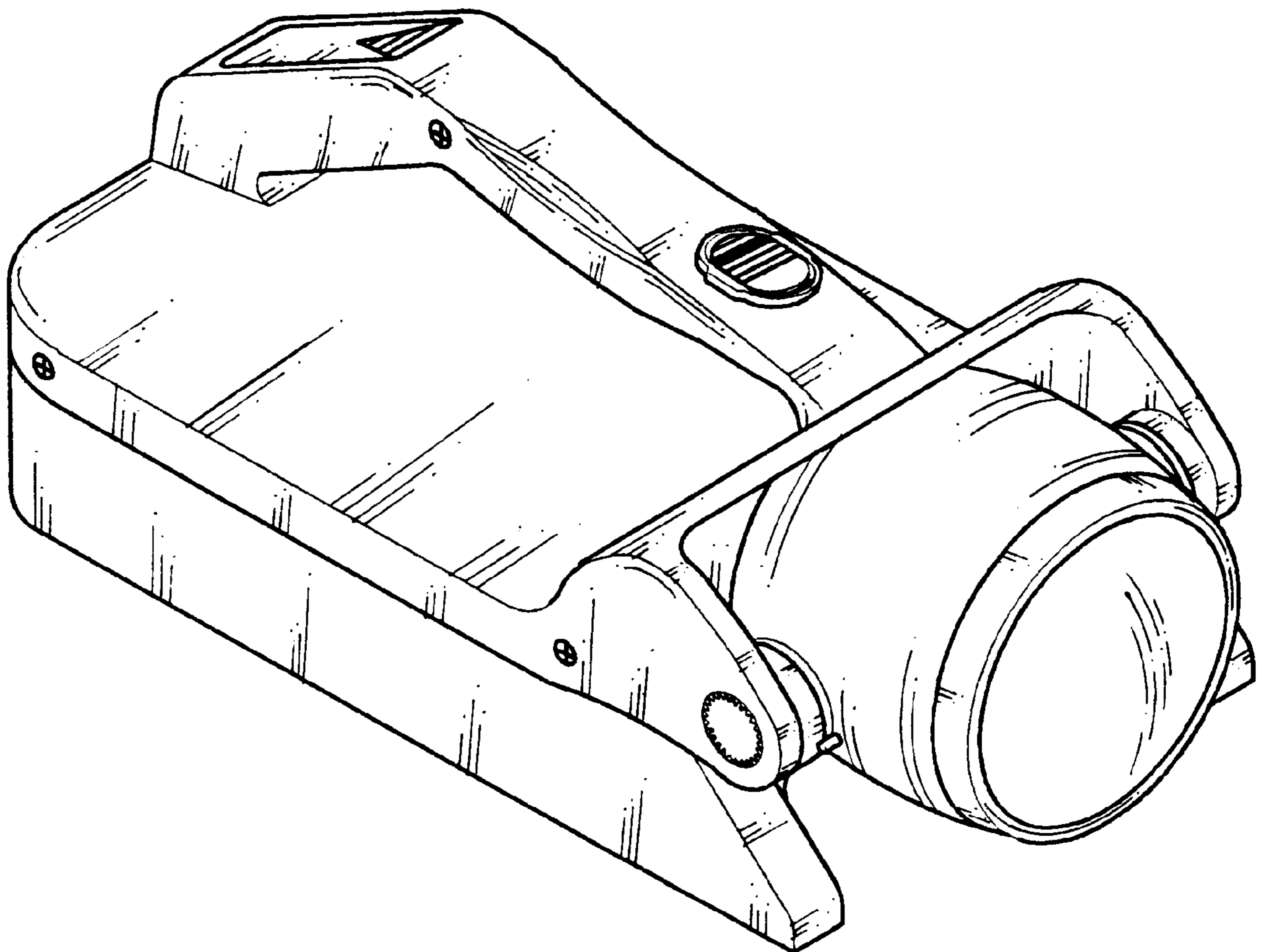
FIG. 7 is a bottom plan view thereof.

[56] **References Cited**

U.S. PATENT DOCUMENTS

D. 376,908 12/1996 Hsu D26/38
D. 384,202 9/1997 Gilmore D26/38

1 Claim, 3 Drawing Sheets



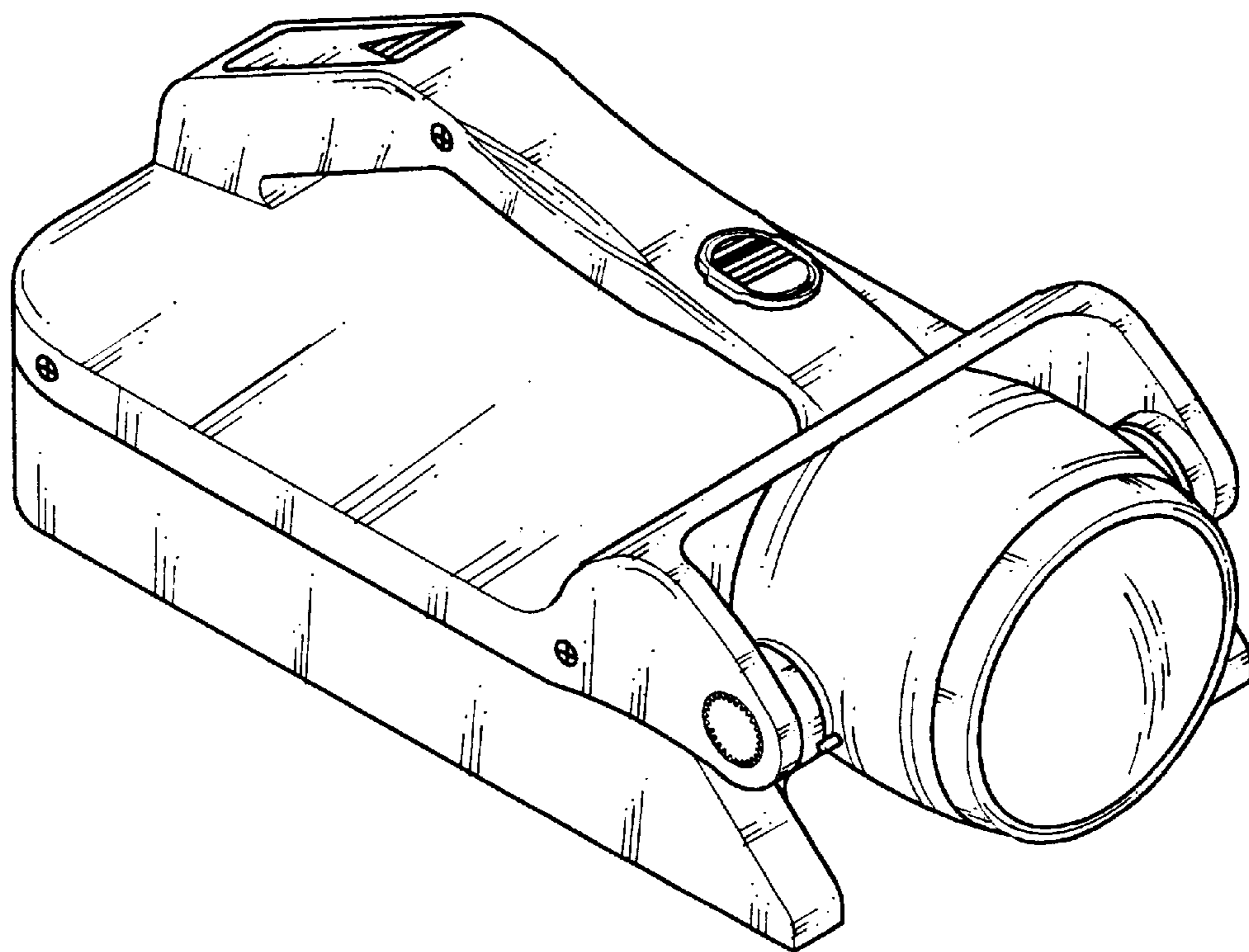


FIG. 1

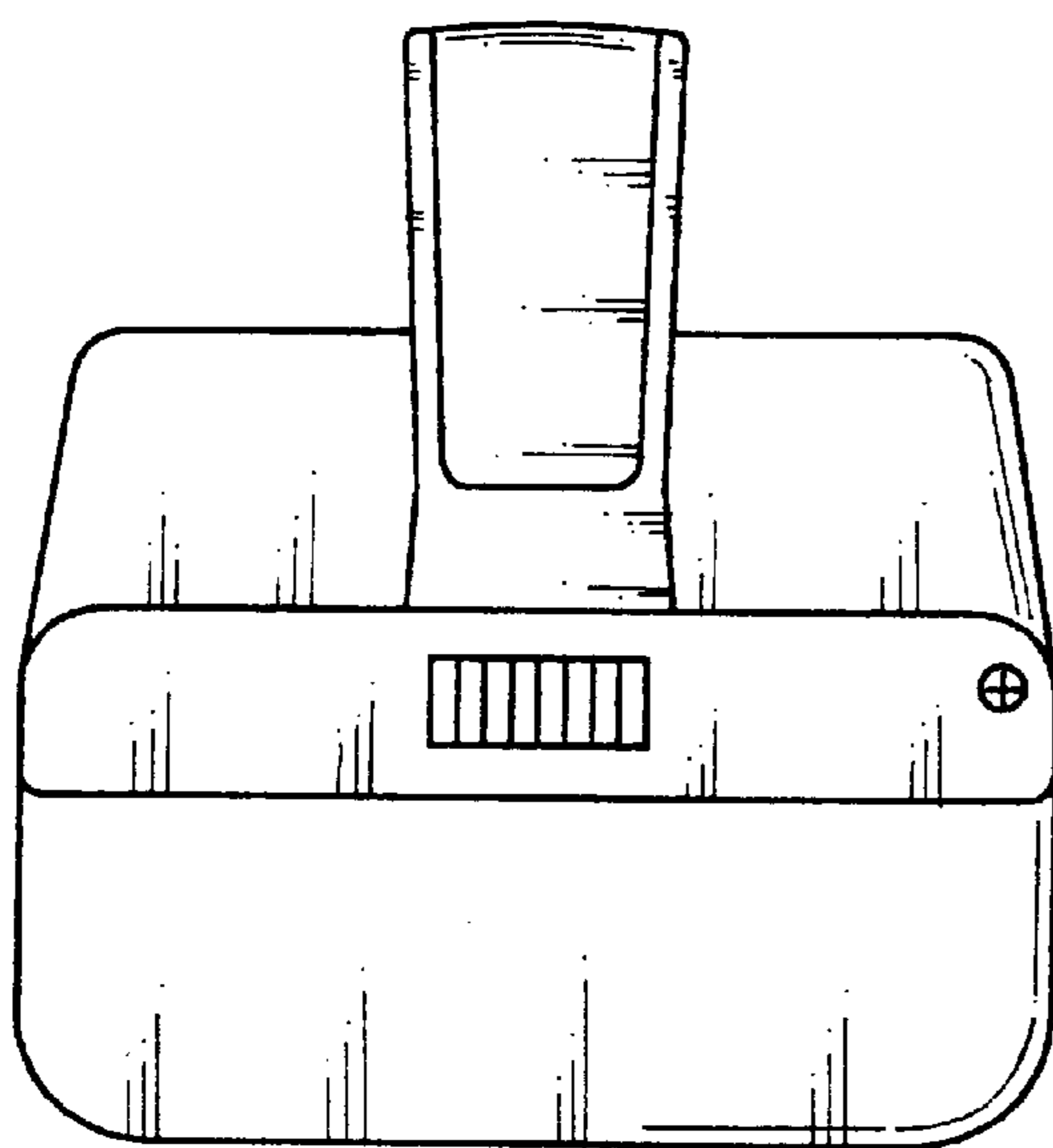


FIG. 3

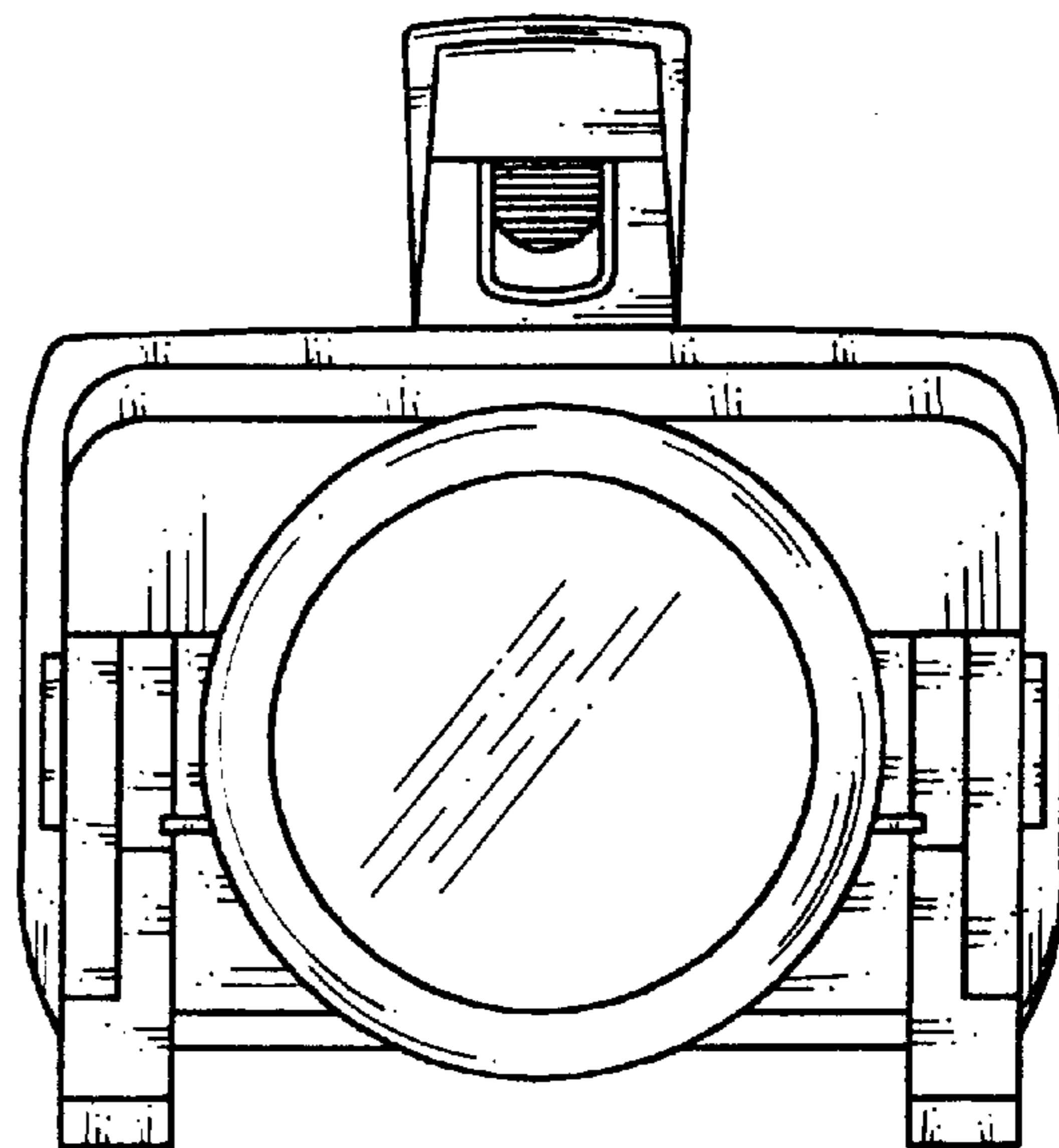


FIG. 2

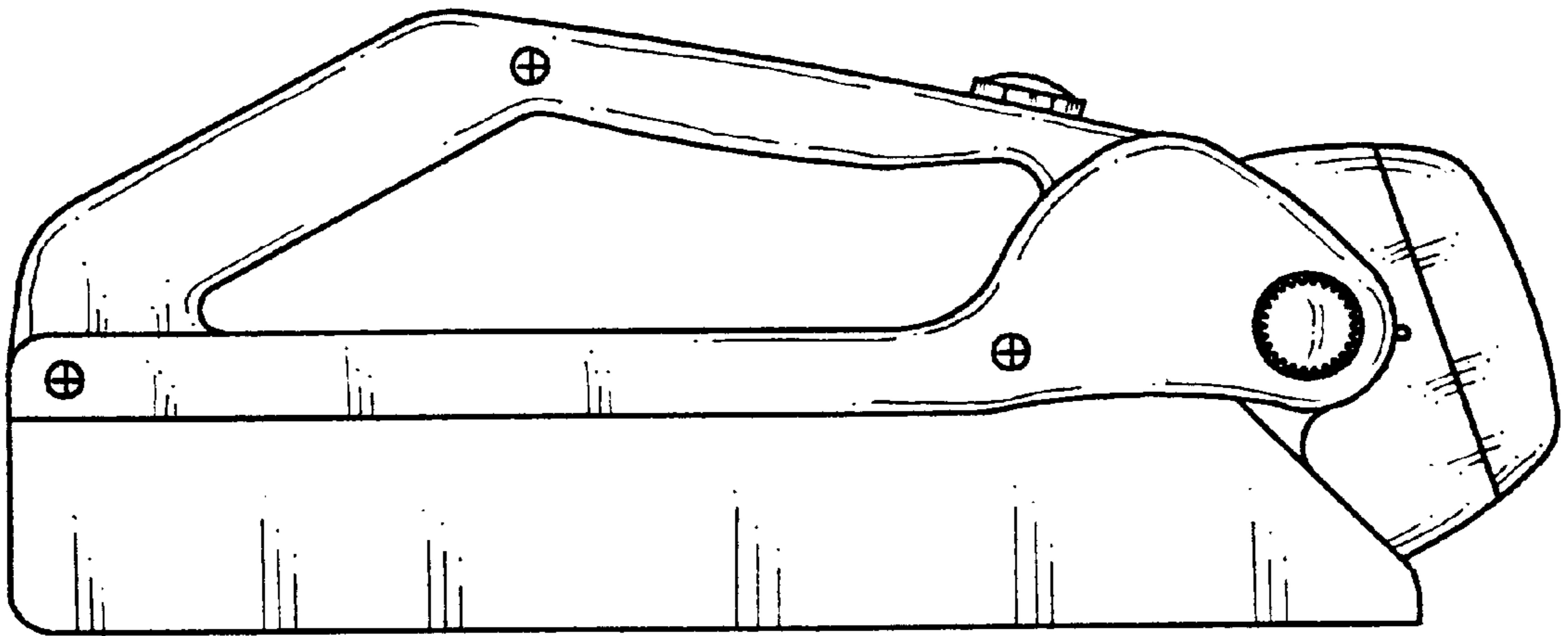


FIG. 4

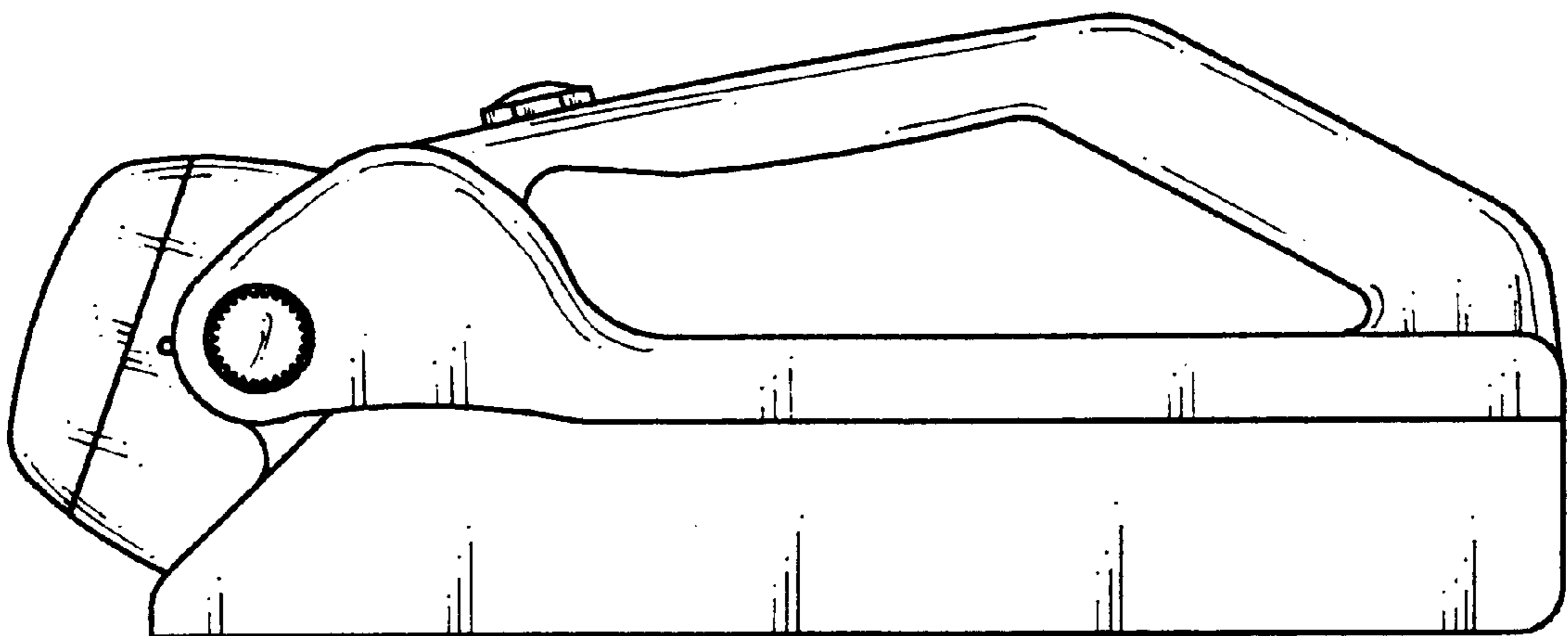


FIG. 5

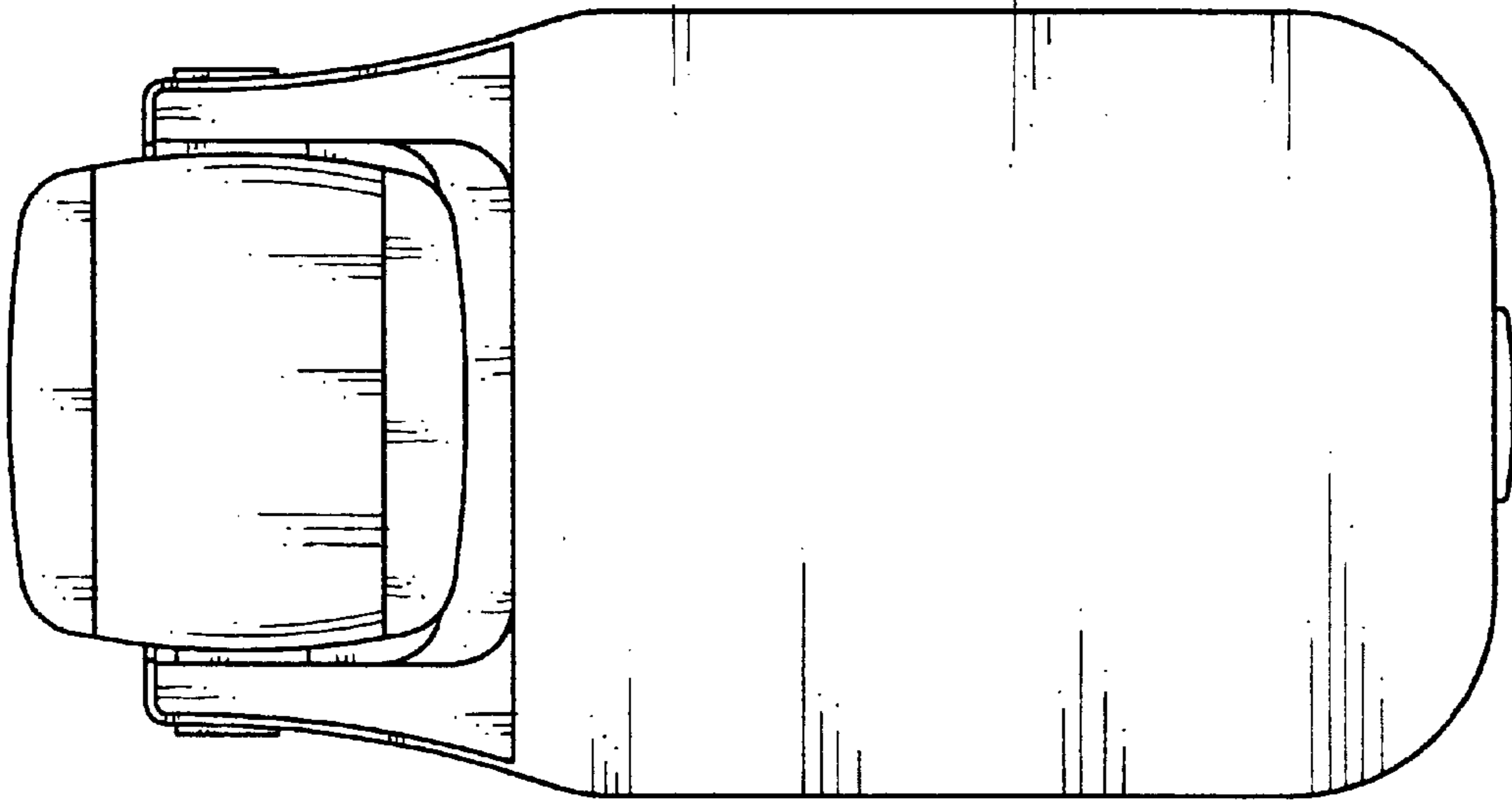


FIG. 7

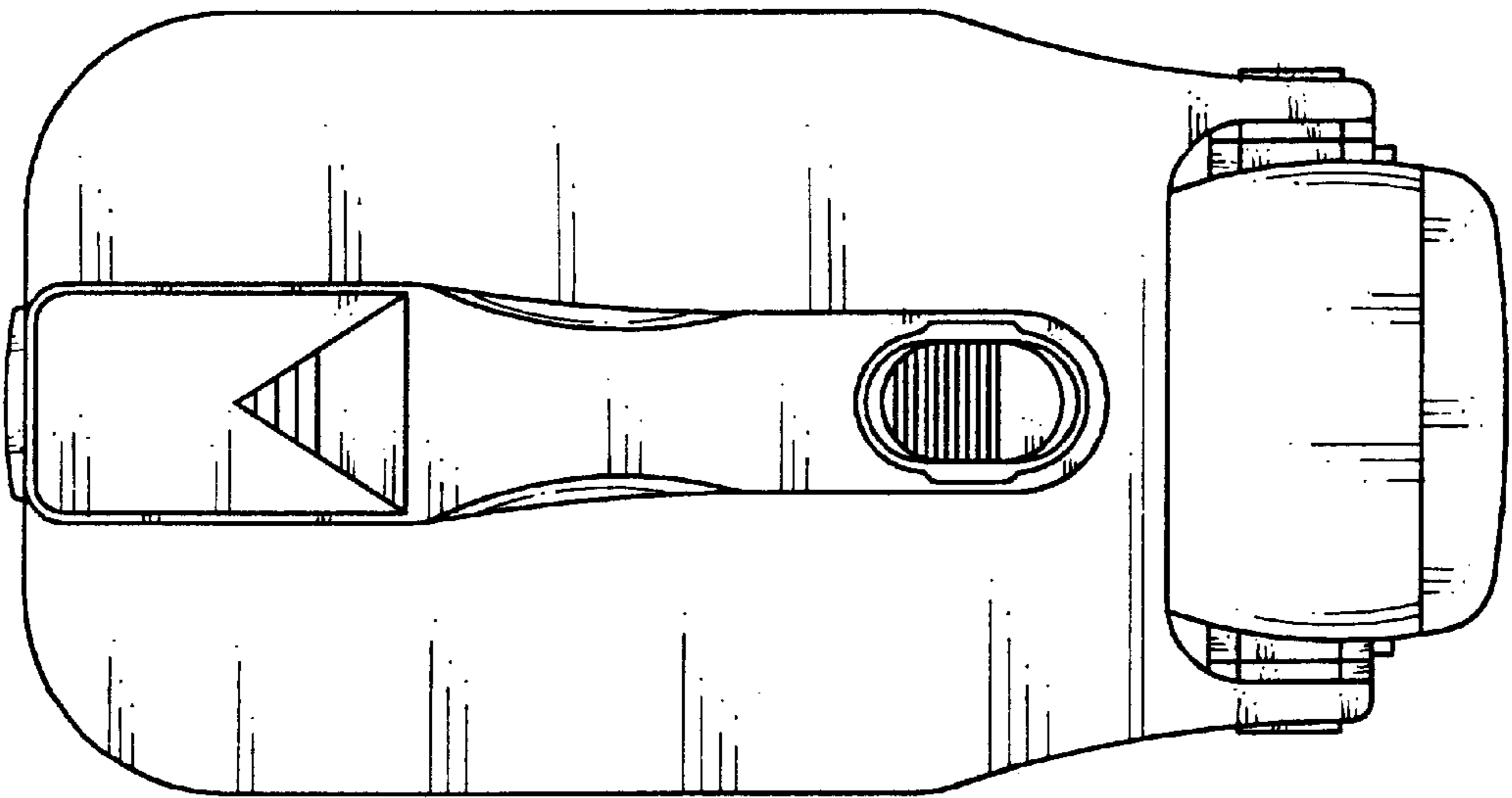


FIG. 6