



US00D410751S

United States Patent [19]
Meier

[11] **Patent Number: Des. 410,751**
[45] **Date of Patent: ** Jun. 8, 1999**

[54] **SHELTER**

[75] Inventor: **Richard Meier**, New York, N.Y.

[73] Assignee: **More Group PLC**, London, United Kingdom

[**] Term: **14 Years**

[21] Appl. No.: **29/077,986**

[22] Filed: **Oct. 17, 1997**

[30] **Foreign Application Priority Data**

Apr. 17, 1997 [GB] United Kingdom 2064989

[51] **LOC (6) Cl.** **25-03**

[52] **U.S. Cl.** **D25/16**

[58] **Field of Search** D25/1, 16; 52/34, 52/35, 36.1, 36.2, 27.5

[56] **References Cited**

U.S. PATENT DOCUMENTS

D. 304,134	10/1989	Griffiths	D25/16
5,216,853	6/1993	Dignan et al.	52/36.1
5,615,623	4/1997	Capraro, Jr.	52/36.1

Primary Examiner—Doris Clark
Attorney, Agent, or Firm—Fulbright & Jaworski L.L.P.

[57] **CLAIM**

I claim the ornamental design for a shelter, as shown and described.

DESCRIPTION

FIG. 1 is a front view of my design for a shelter;

FIG. 2 is a rear view thereof;

FIG. 3 is a side view thereof;

FIG. 4 is the other side view thereof; and

FIG. 5 is a top plan view thereof.

FIG. 6 is a rear view of my design for a shelter showing a second embodiment.

FIG. 7 is a front view thereof;

FIG. 8 is a side view thereof;

FIG. 9 is the other side view thereof;

FIG. 10 is a cross sectional view taken along line 10—10 of FIG. 7; and

FIG. 11 is a top plan view thereof.

FIG. 12 is a front view of my design for a shelter showing a third embodiment.

FIG. 13 is a side view thereof;

FIG. 14 is a cross sectional view taken along line 14—14 of FIG. 12;

FIG. 15 is a top plan view thereof.

FIG. 16 is a cross sectional view taken along line 16—16 of FIG. 12;

FIG. 17 is a rear view thereof; and,

FIG. 18 is the other side view thereof.

The broken lines showing telephones are for illustrative purposes only and form no part of the claimed design.

1 Claim, 8 Drawing Sheets



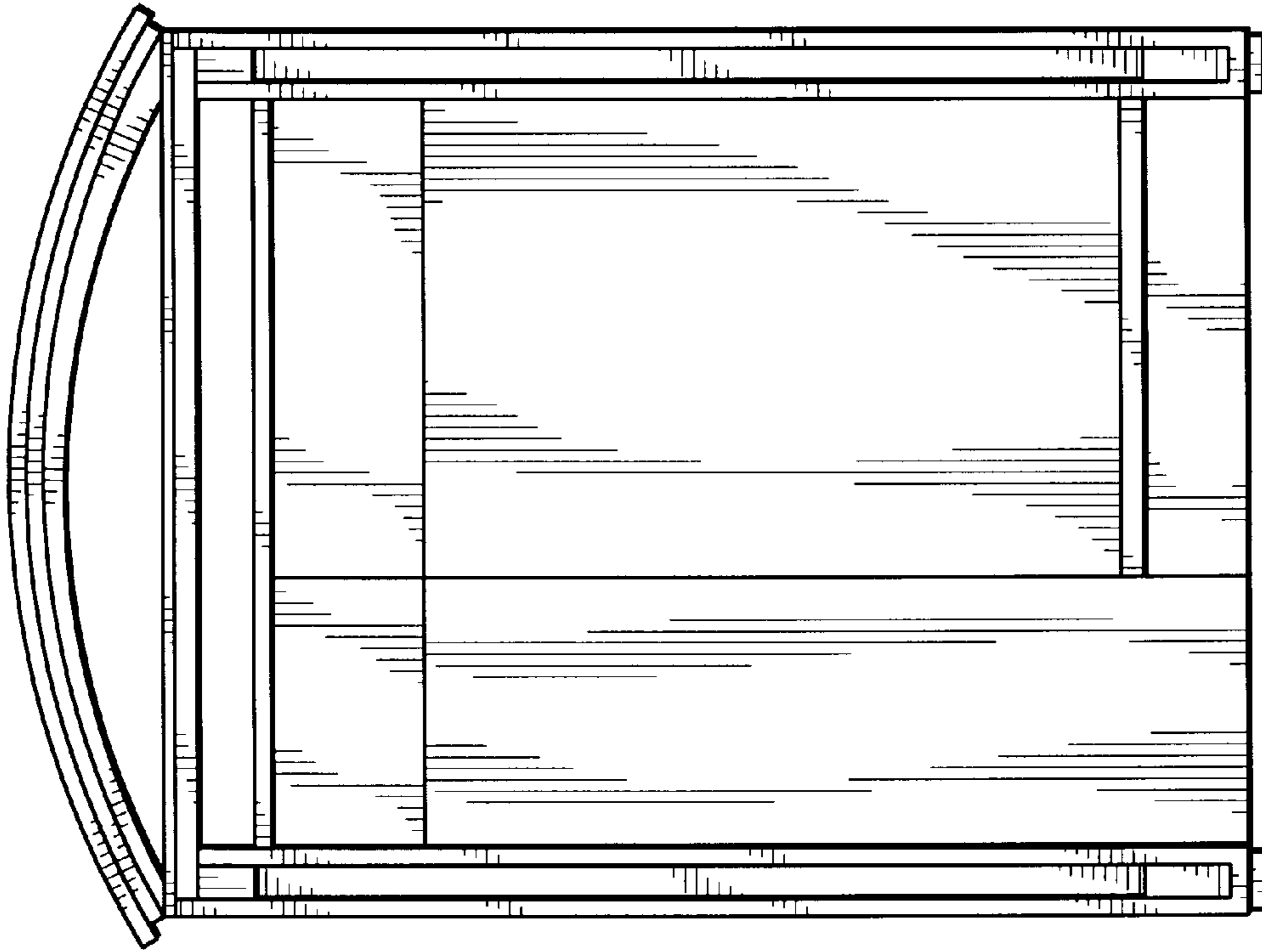


FIG. 2

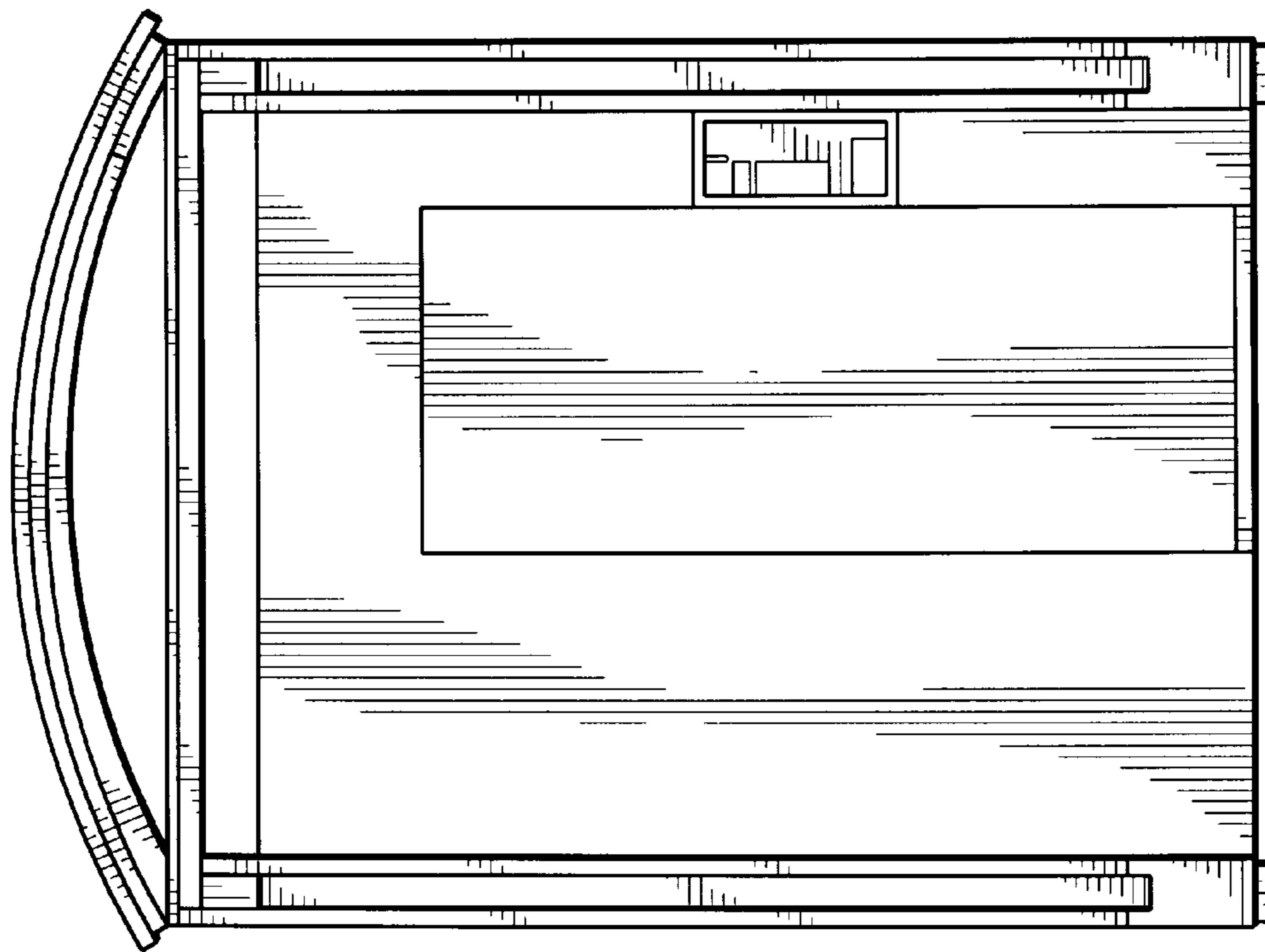


FIG. 1

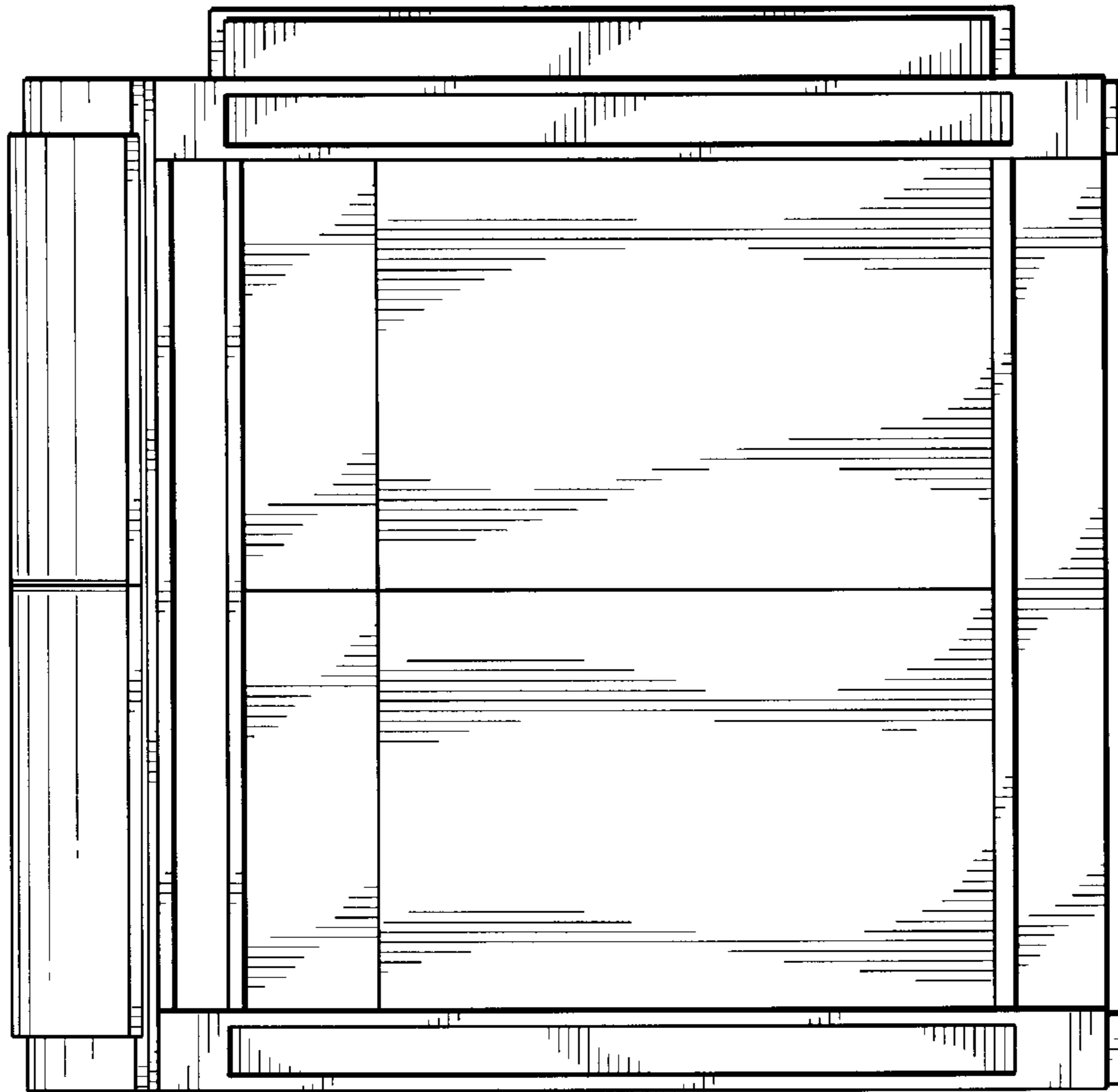


FIG. 4

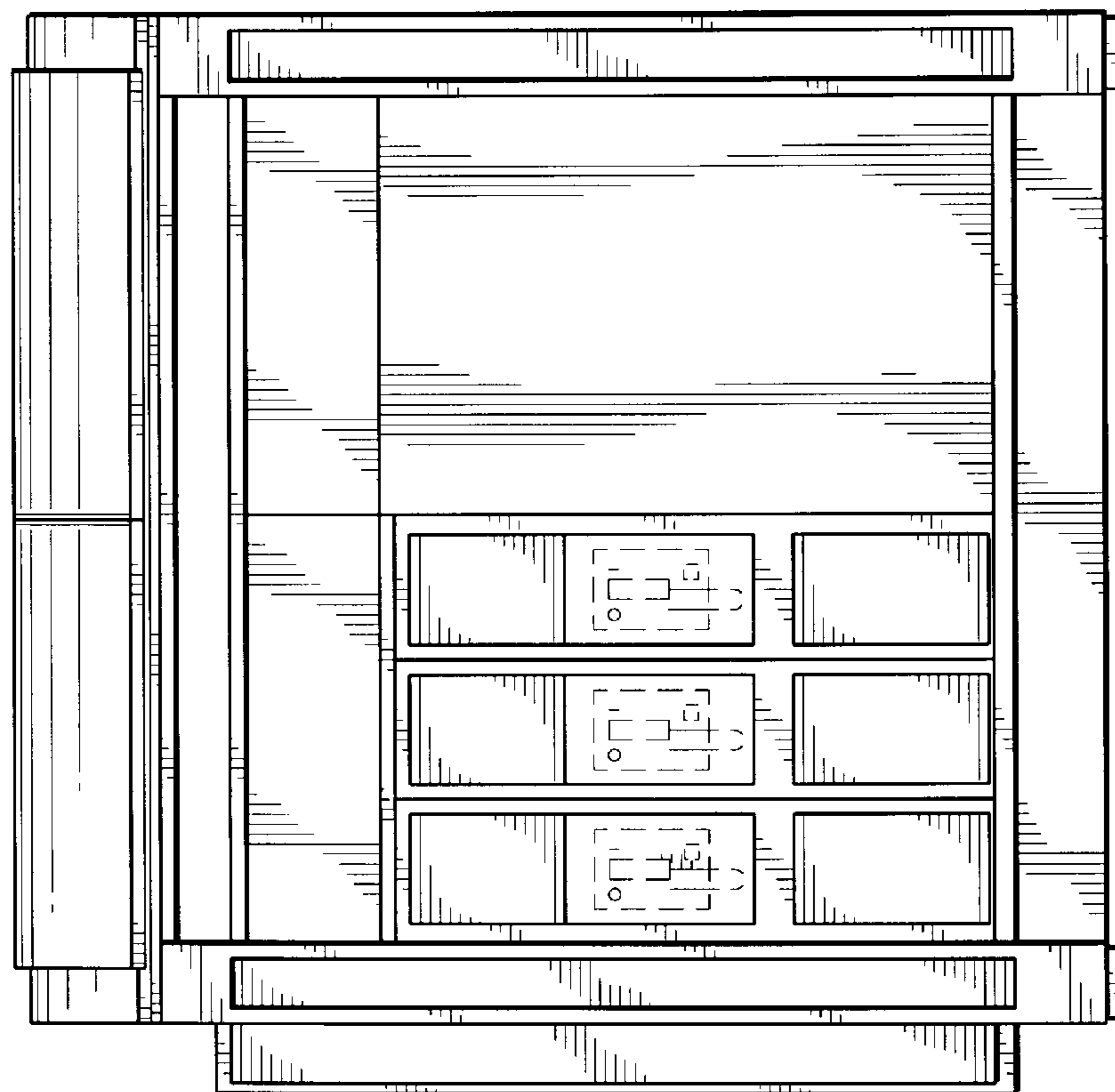


FIG. 3

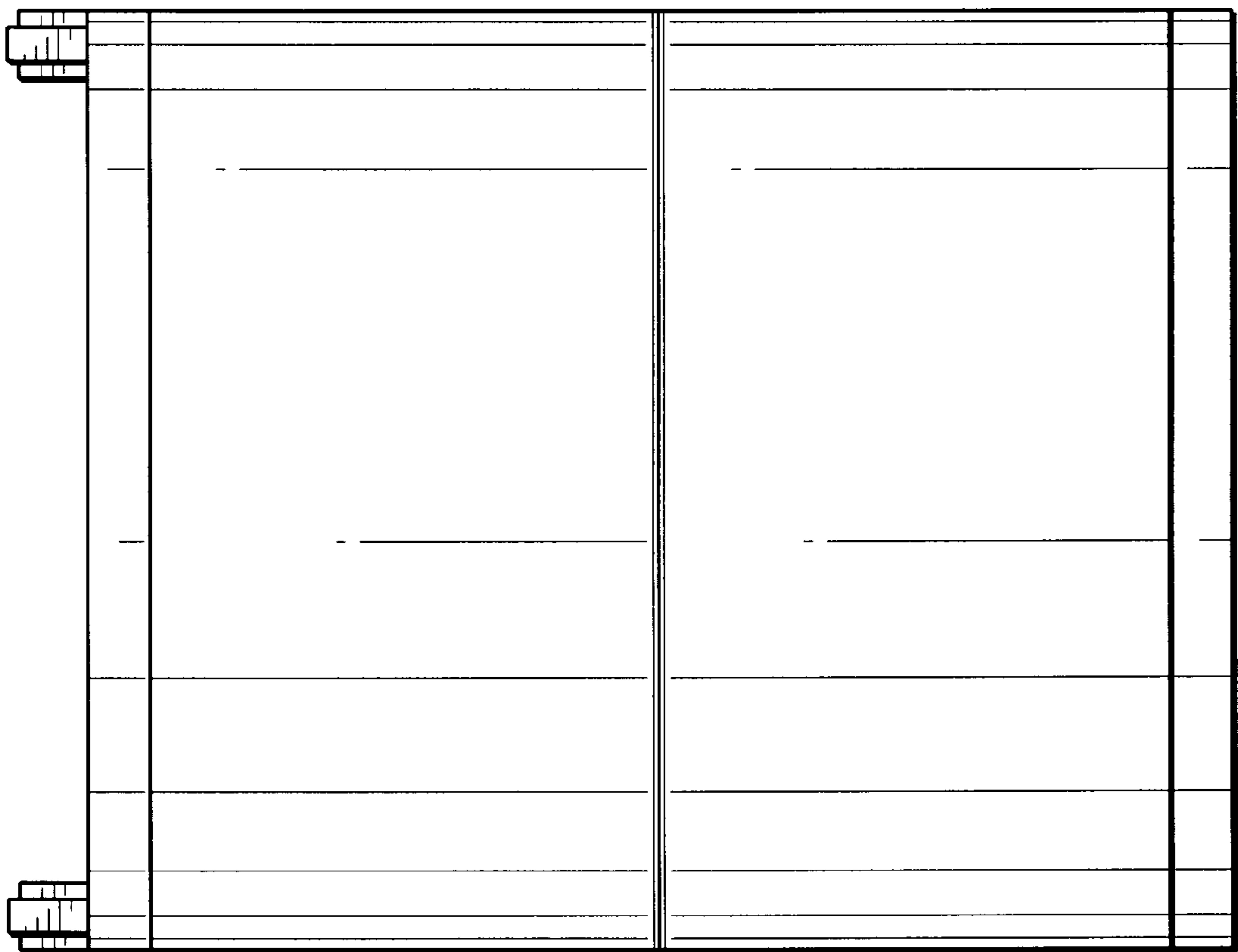
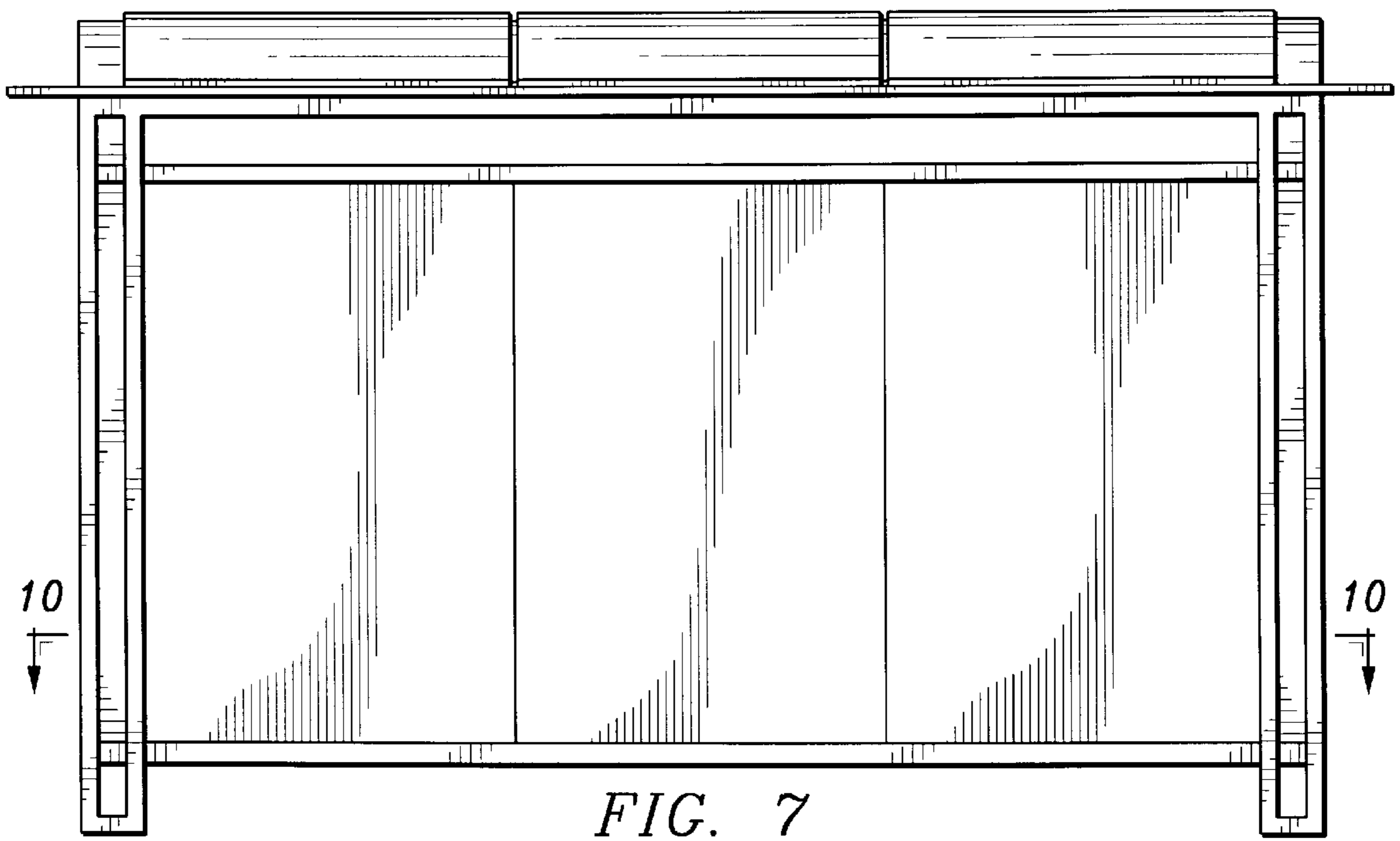
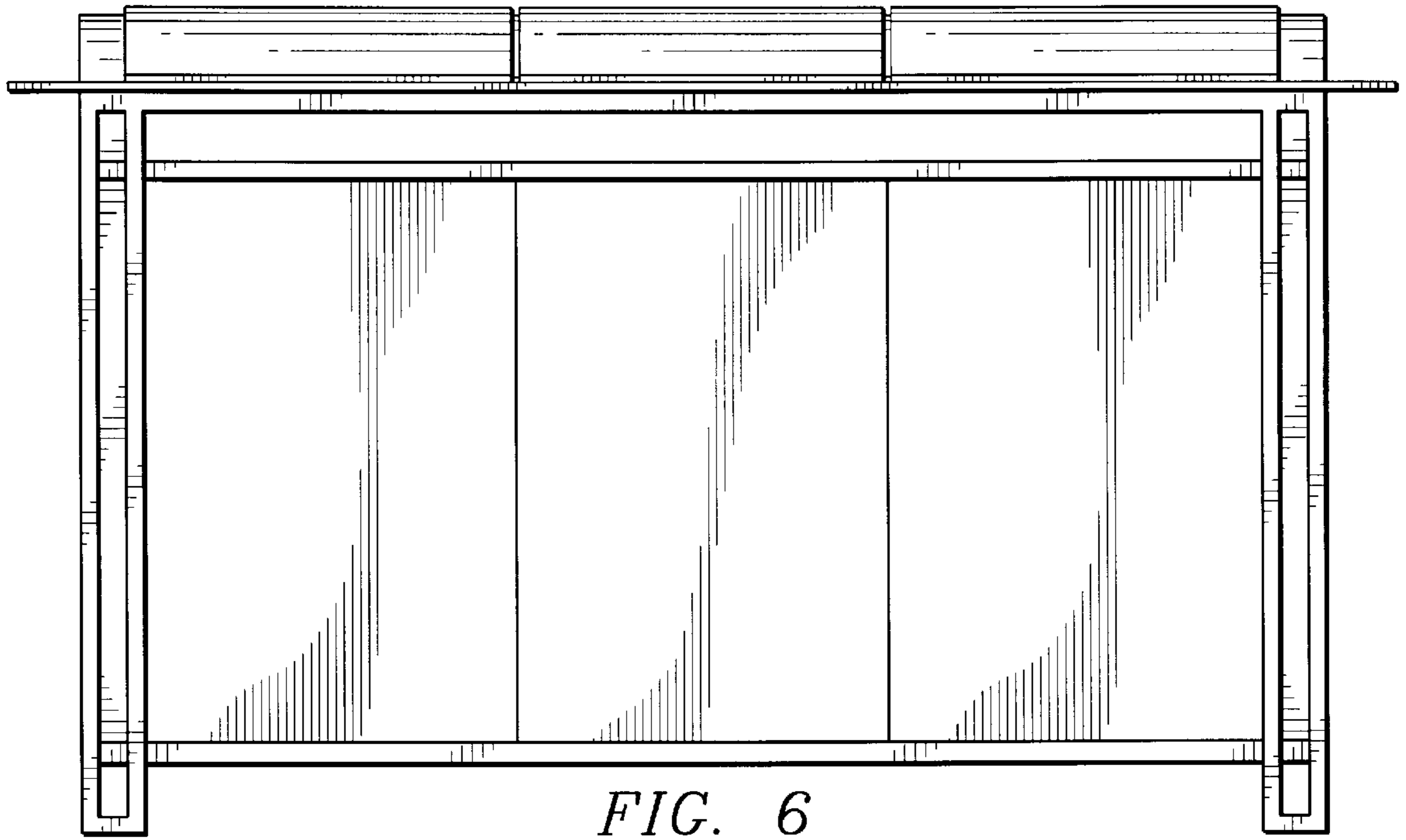


FIG. 5



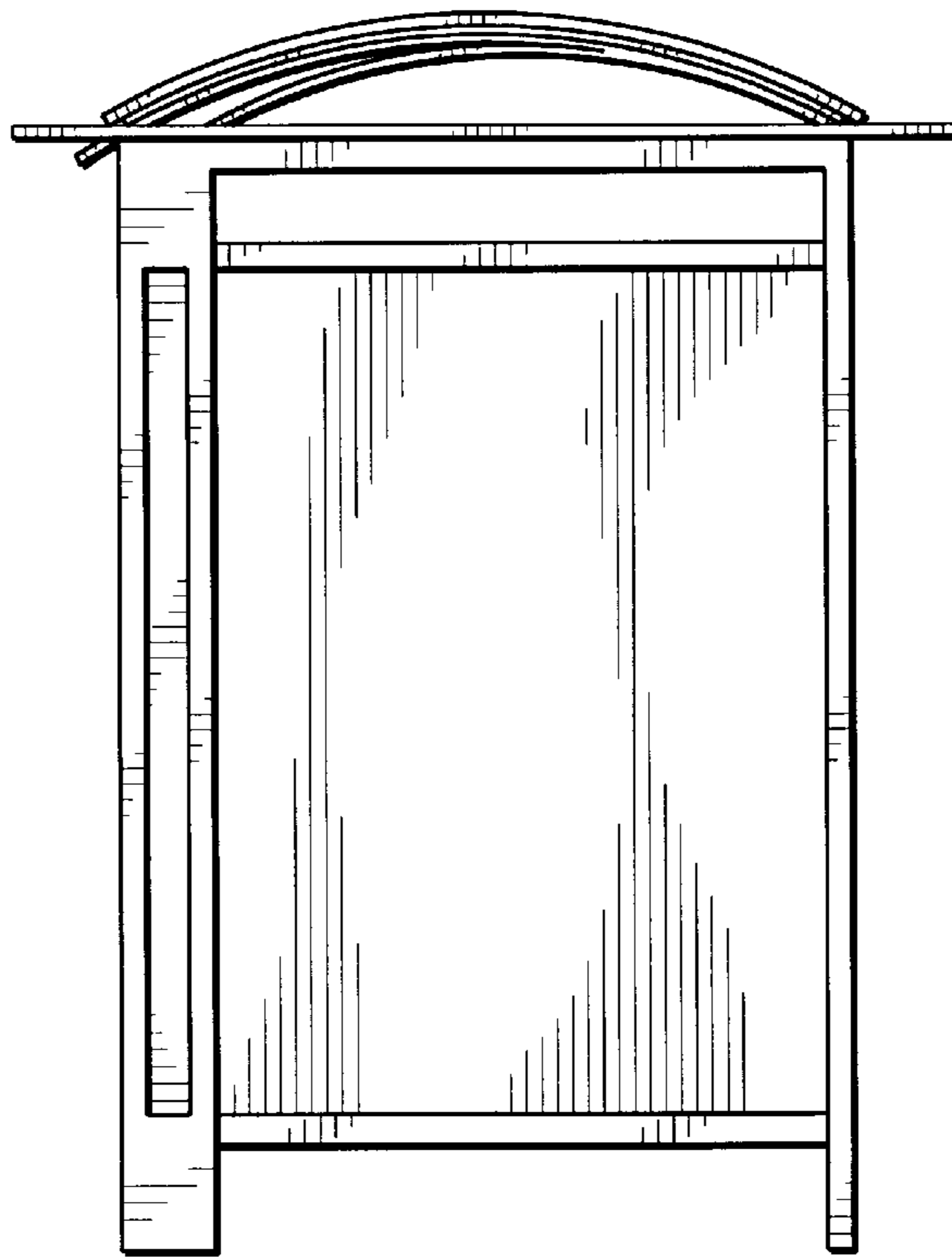


FIG. 8

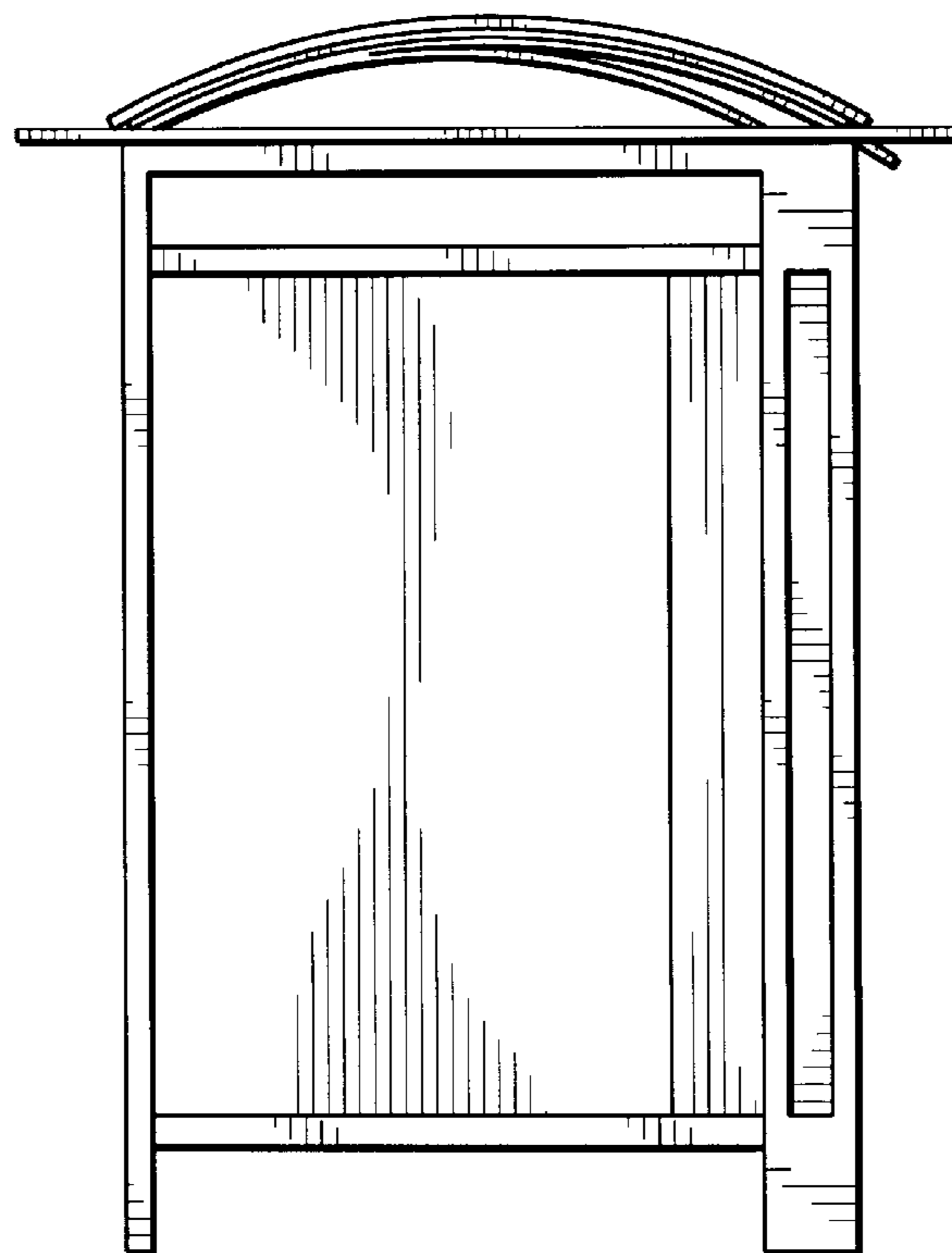


FIG. 9

FIG. 10

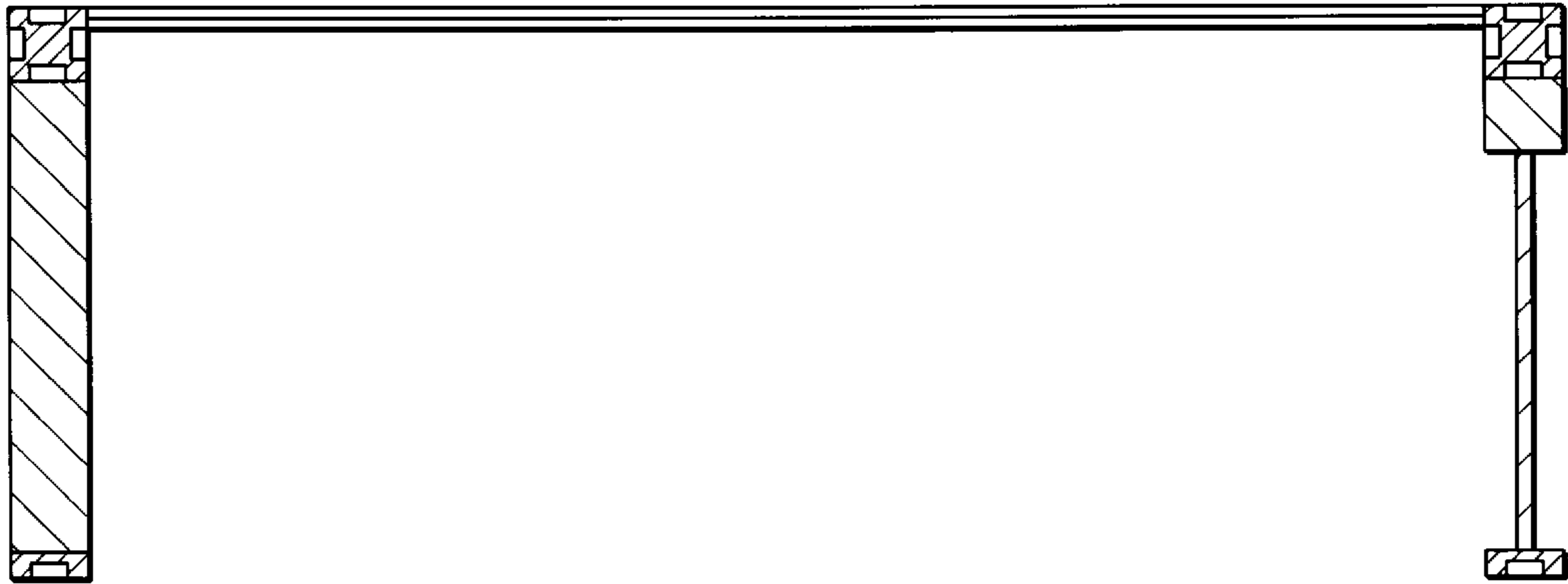


FIG. 11

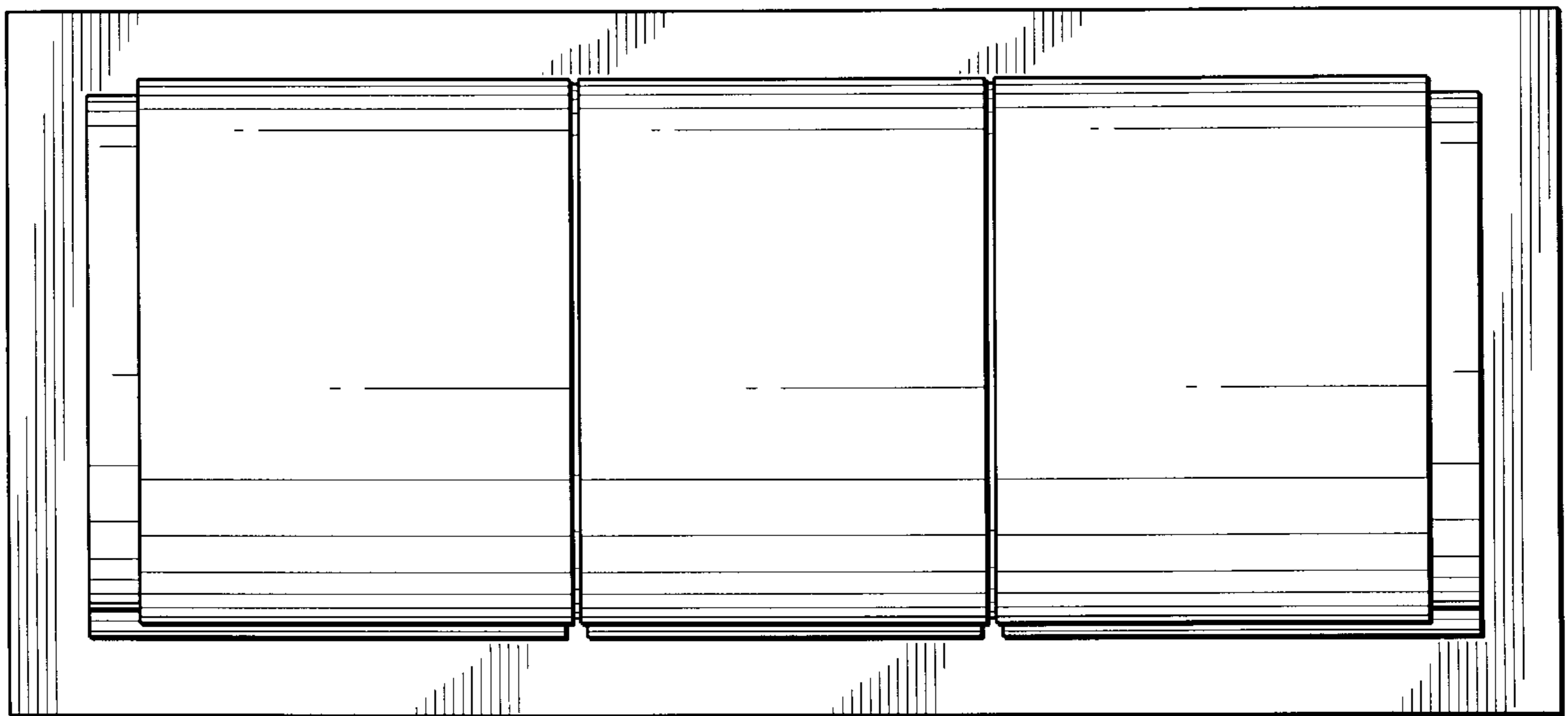


FIG. 14

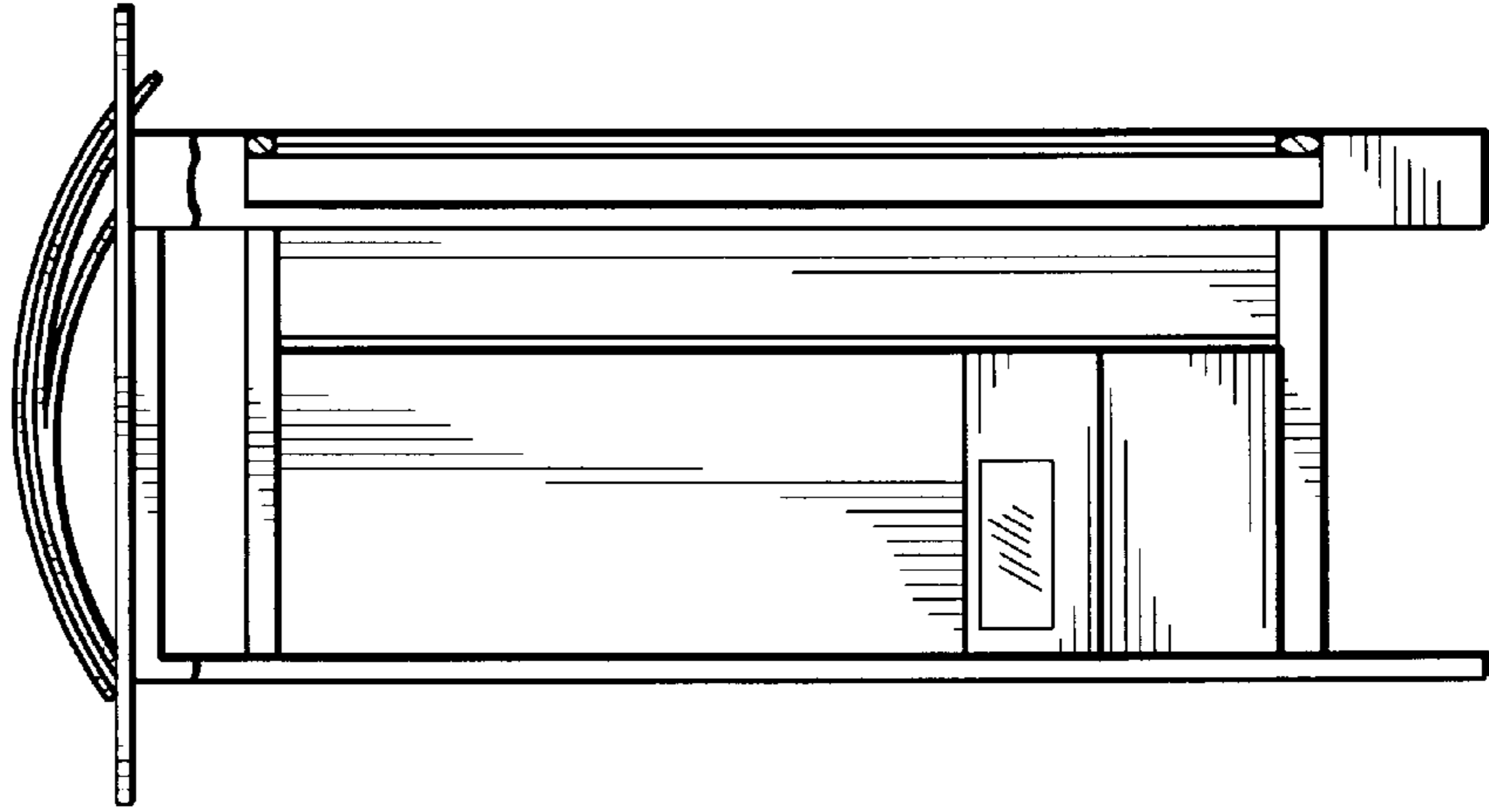


FIG. 13

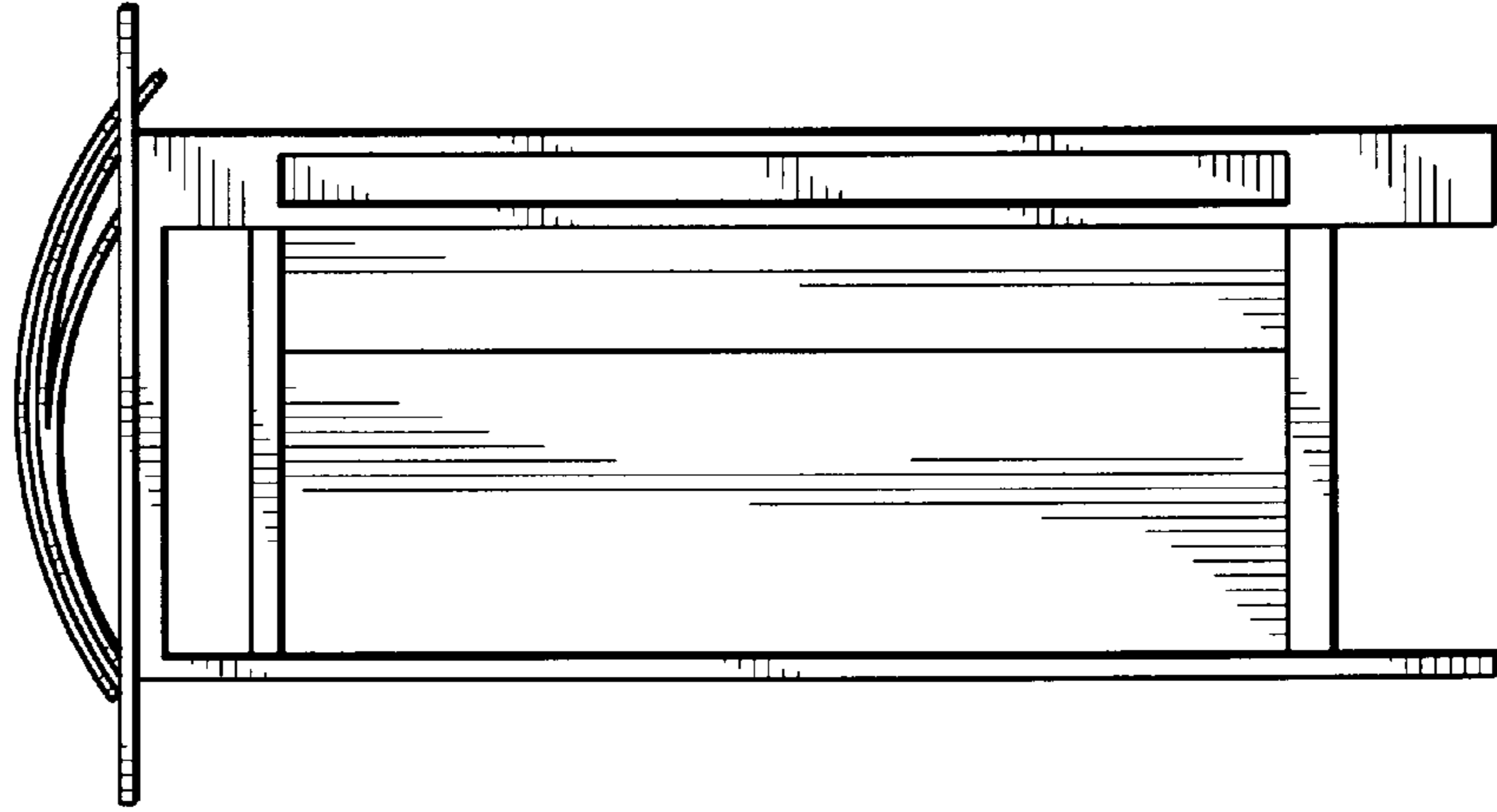
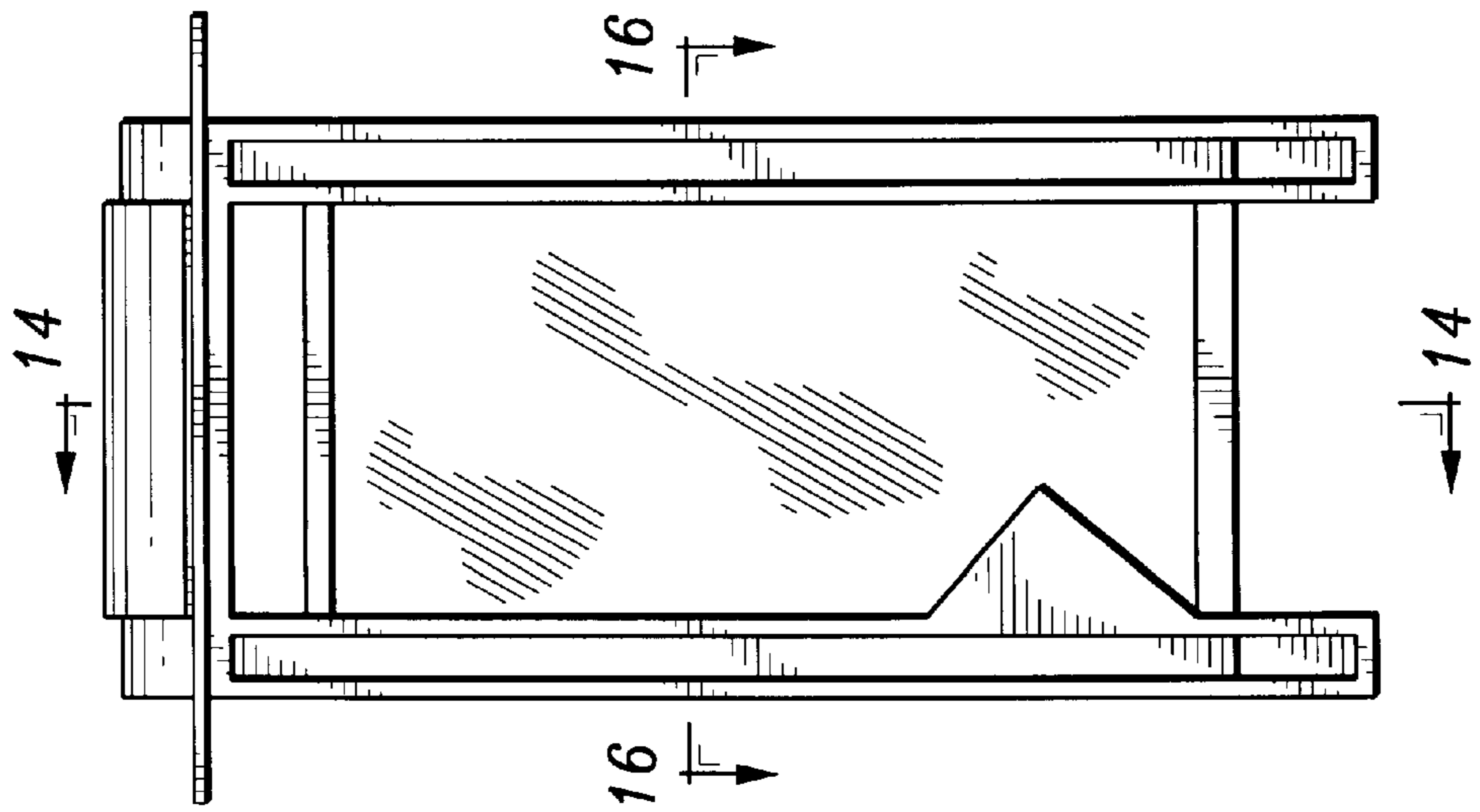


FIG. 12



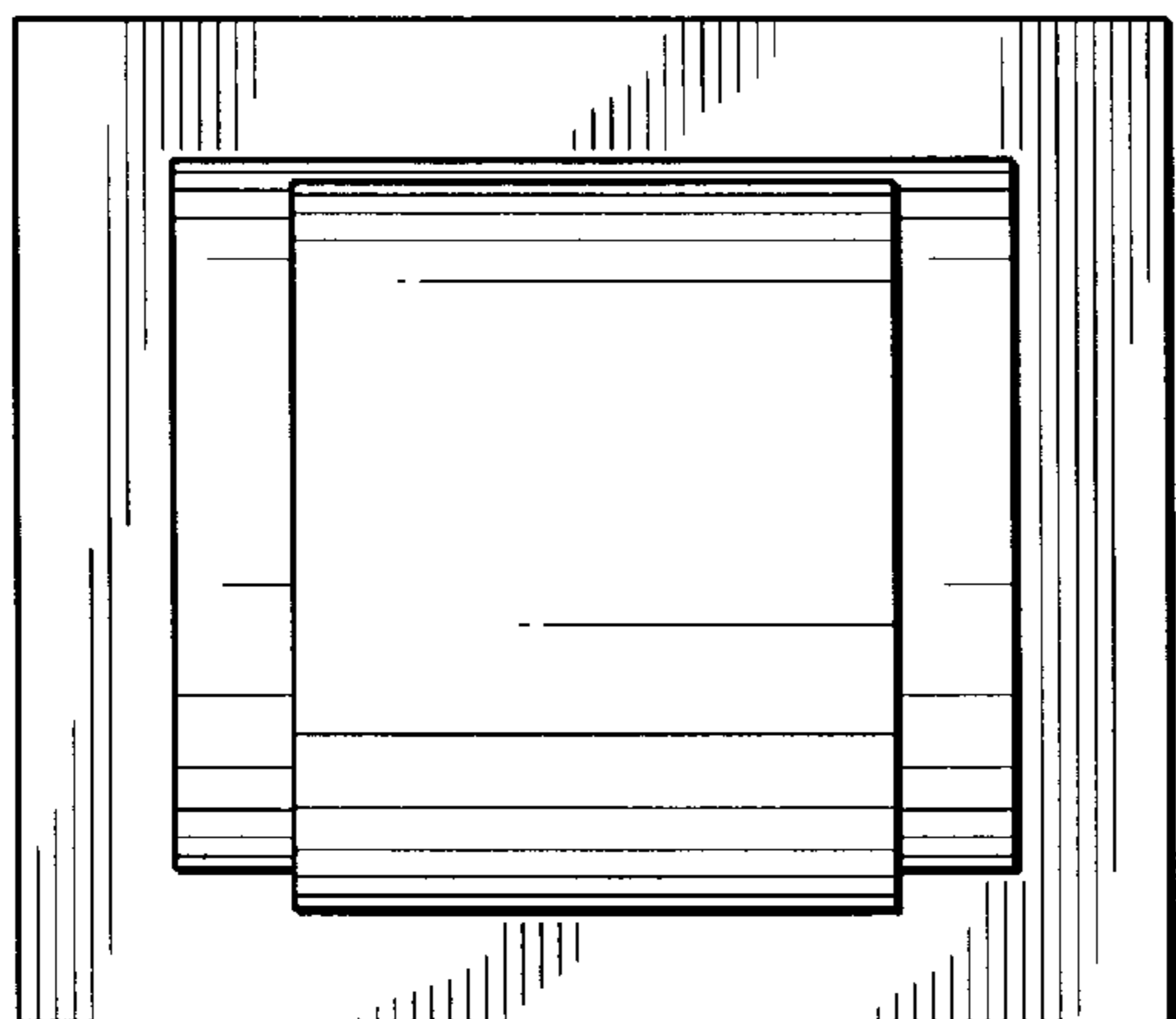


FIG. 15

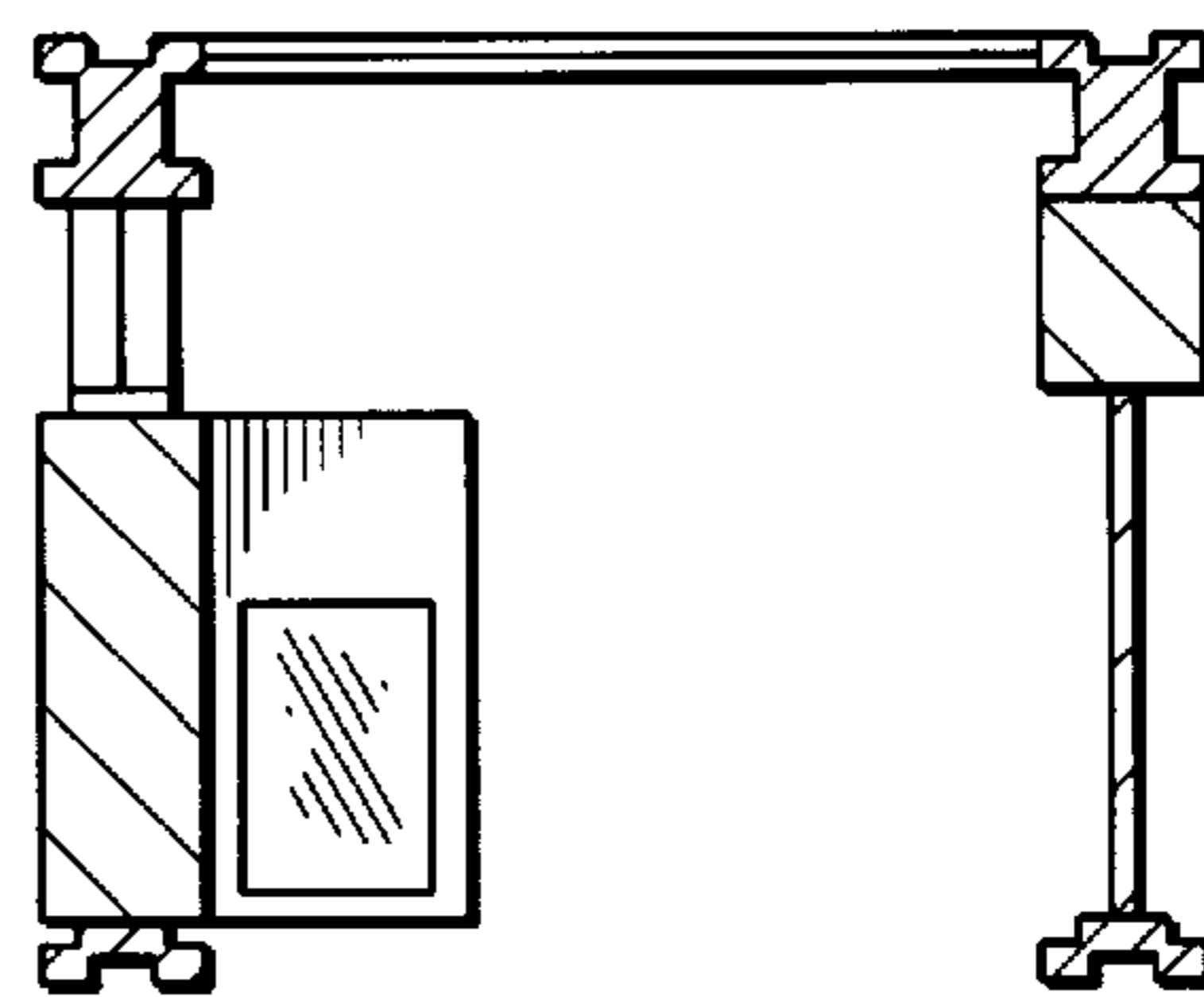


FIG. 16

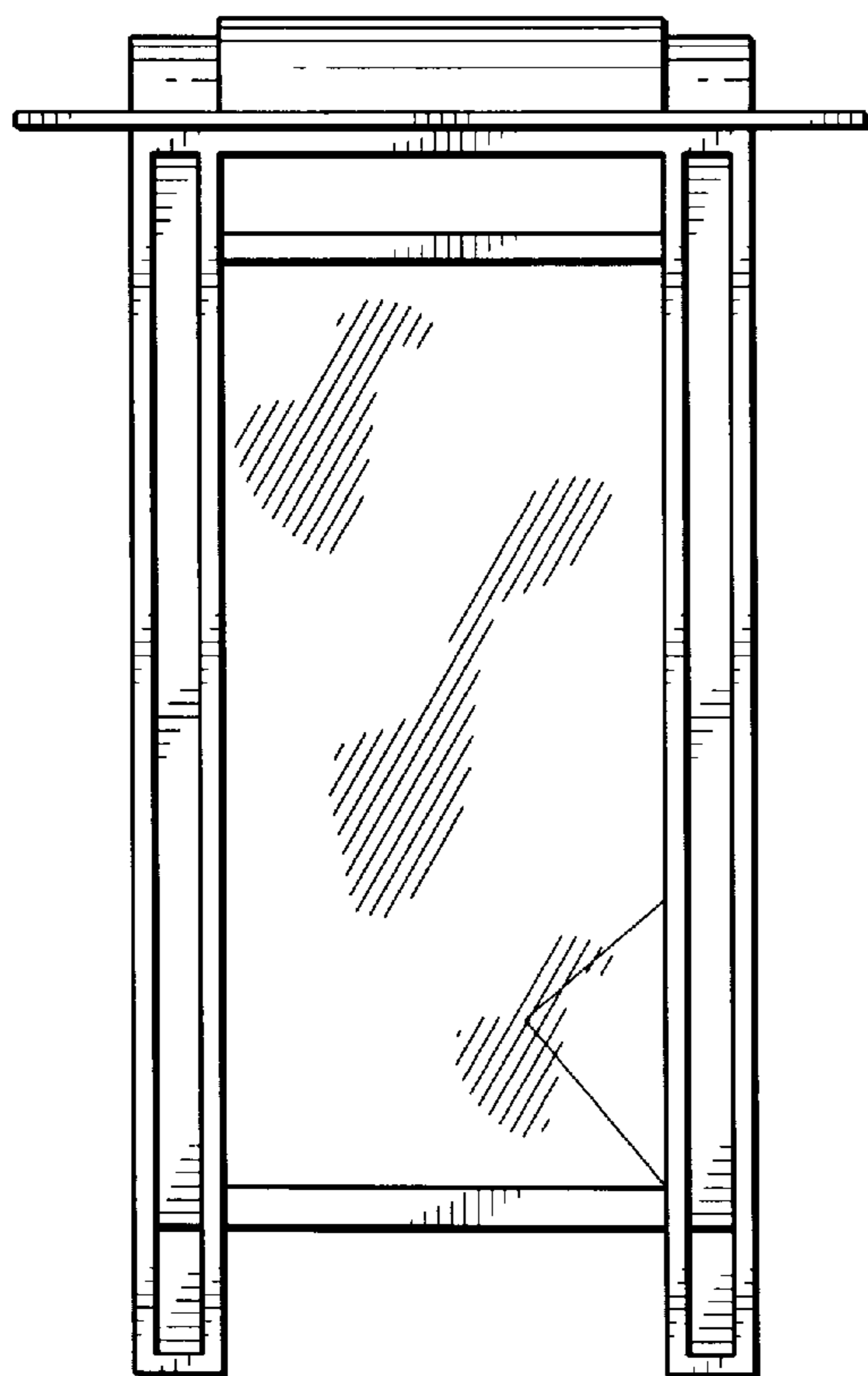


FIG. 17

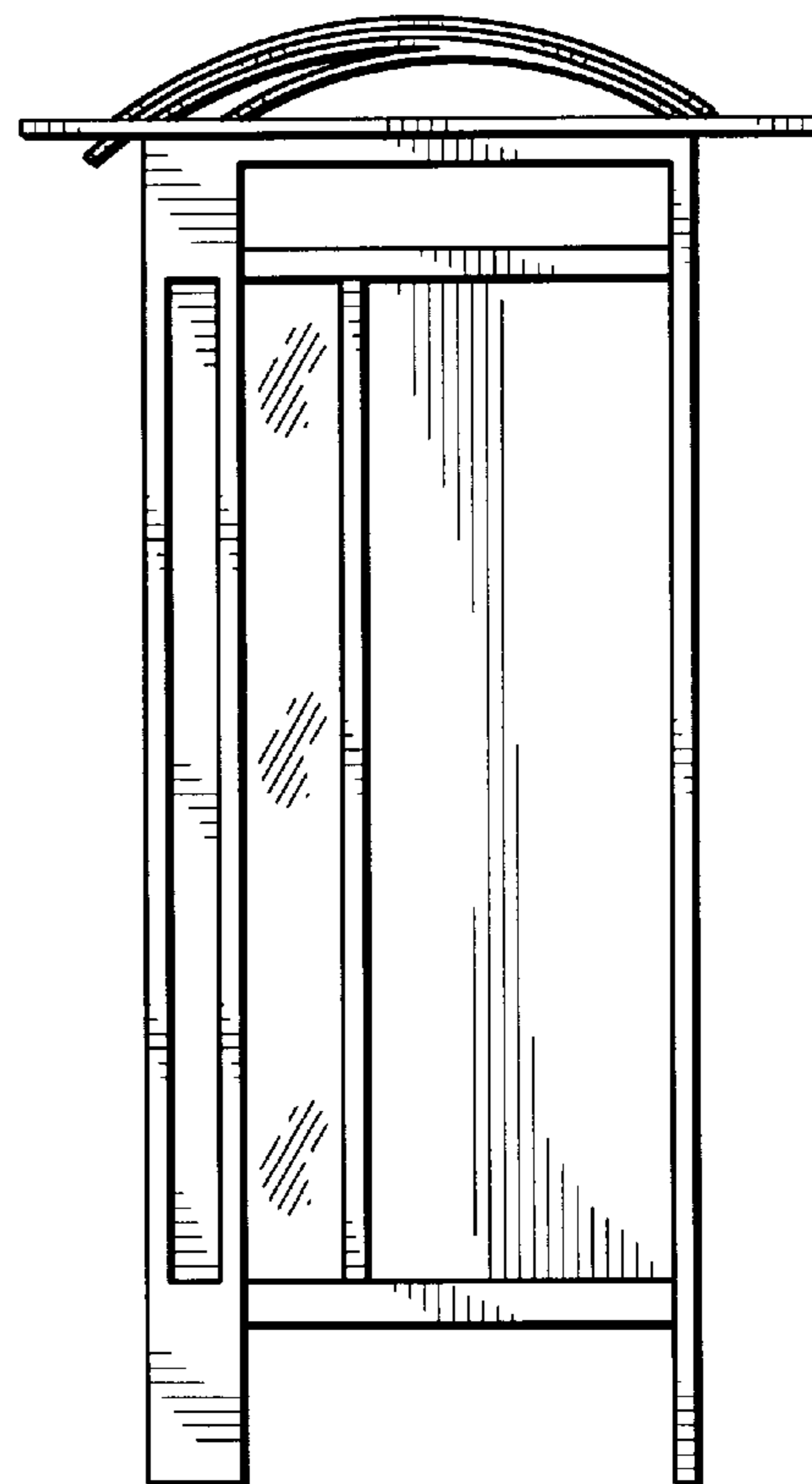


FIG. 18