



US00D410744S

United States Patent [19]
Banister

[11] **Patent Number: Des. 410,744**
[45] **Date of Patent: ** Jun. 8, 1999**

[54] **LUMBAR SUPPORT**

4,424,599 1/1984 Hannouche 5/632
5,431,618 7/1995 Levi 5/630

[76] Inventor: **Nevin D. Banister**, 6621 Kenwood Ave., Dallas, Tex. 75214

Primary Examiner—Stella Reid
Attorney, Agent, or Firm—Gardere & Wynne, L.L.P.

[**] Term: **14 Years**

[57] **CLAIM**

[21] Appl. No.: **29/087,461**

The ornamental design for a lumbar support, as shown and described.

[22] Filed: **May 4, 1998**

DESCRIPTION

[51] **LOC (6) Cl.** **24-04**

[52] **U.S. Cl.** **D24/183**

[58] **Field of Search** D24/183; 5/630,
5/632, 633, 636, 648, 652; D6/601

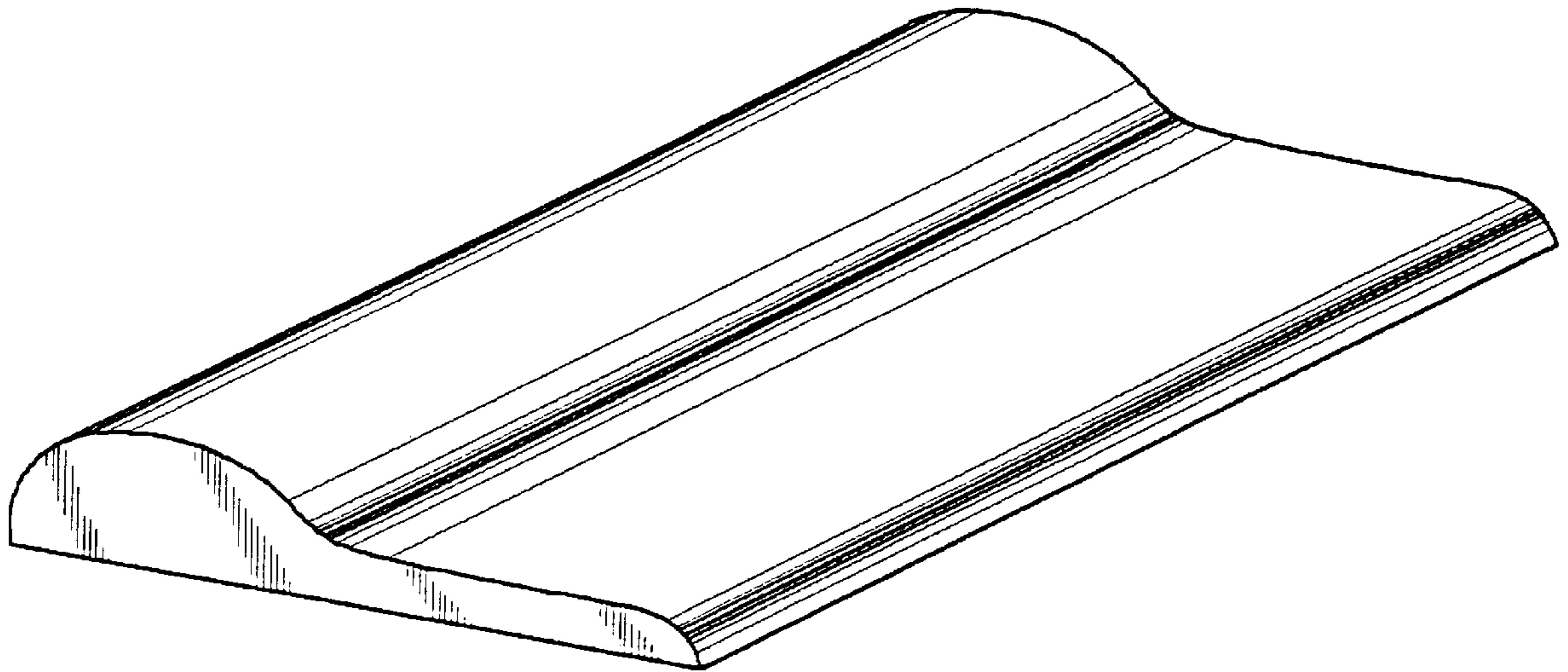
FIG. 1 is a front perspective view of a lumbar support illustrating my new design;
FIG. 2 is a left side elevation view thereof;
FIG. 3 is a right side elevation view thereof;
FIG. 4 is a front elevation view thereof;
FIG. 5 is a rear elevation view thereof;
FIG. 6 is a top plan view thereof; and,
FIG. 7 is a bottom plan view thereof.

[56] **References Cited**

U.S. PATENT DOCUMENTS

- D. 209,118 10/1967 Grube D24/183 X
- D. 242,390 11/1976 Grube D24/183
- D. 276,938 12/1984 Pedersen D24/183

1 Claim, 2 Drawing Sheets



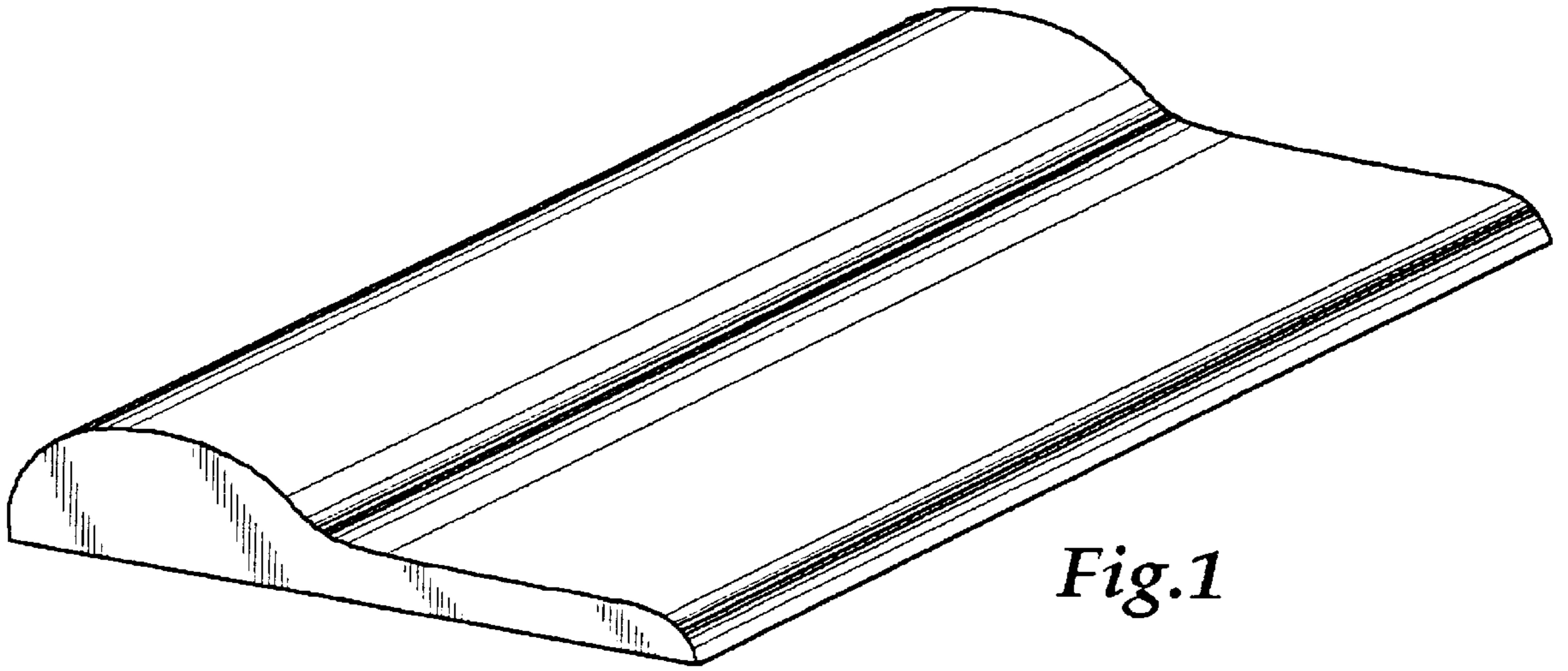


Fig.1

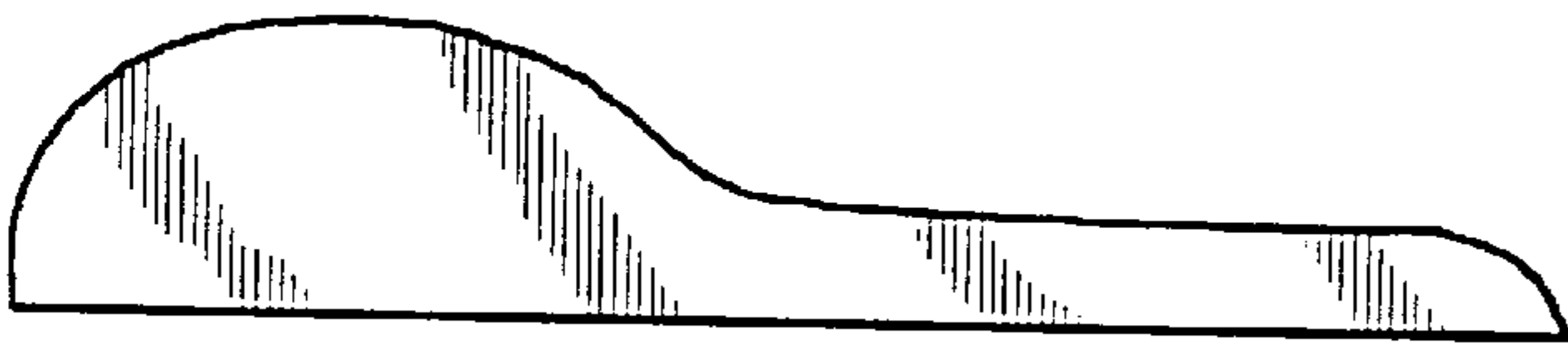


Fig.2

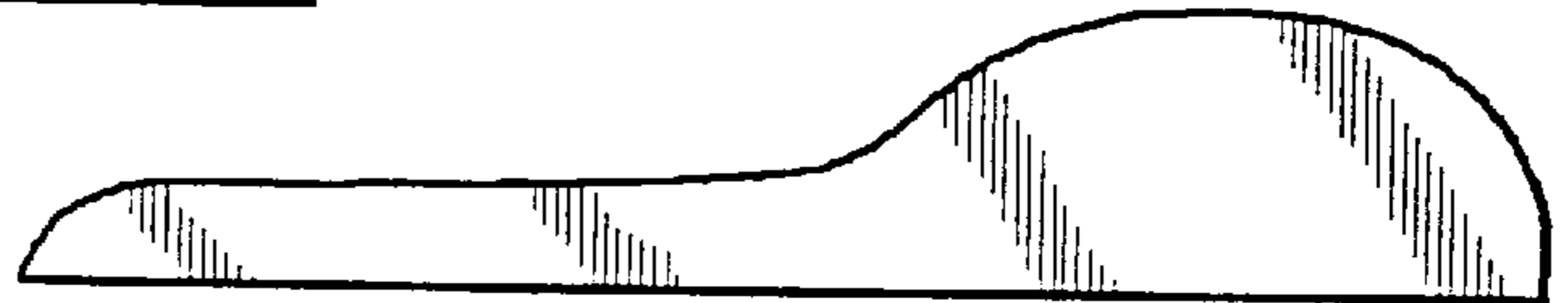


Fig.3

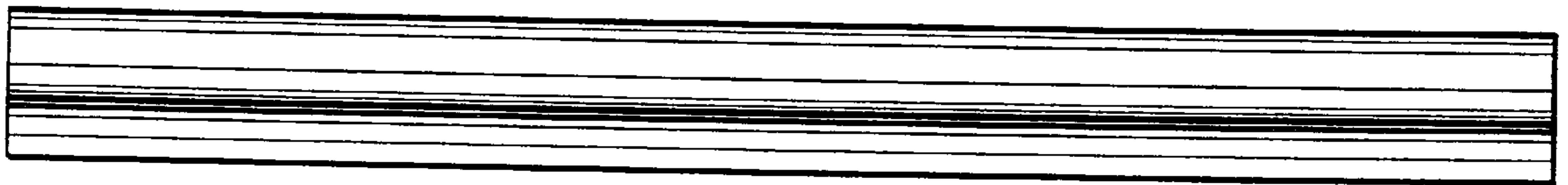


Fig.4

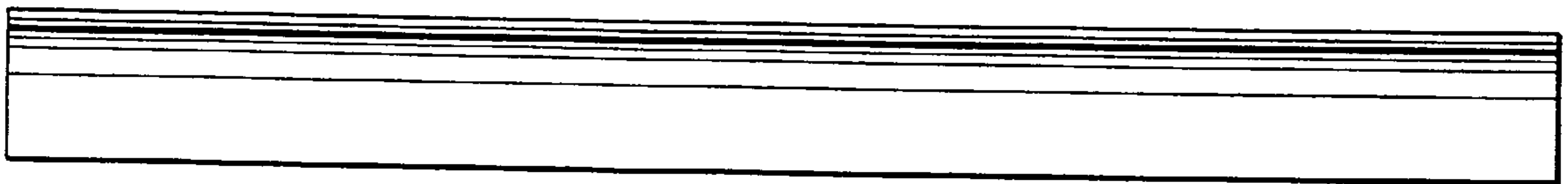


Fig.5

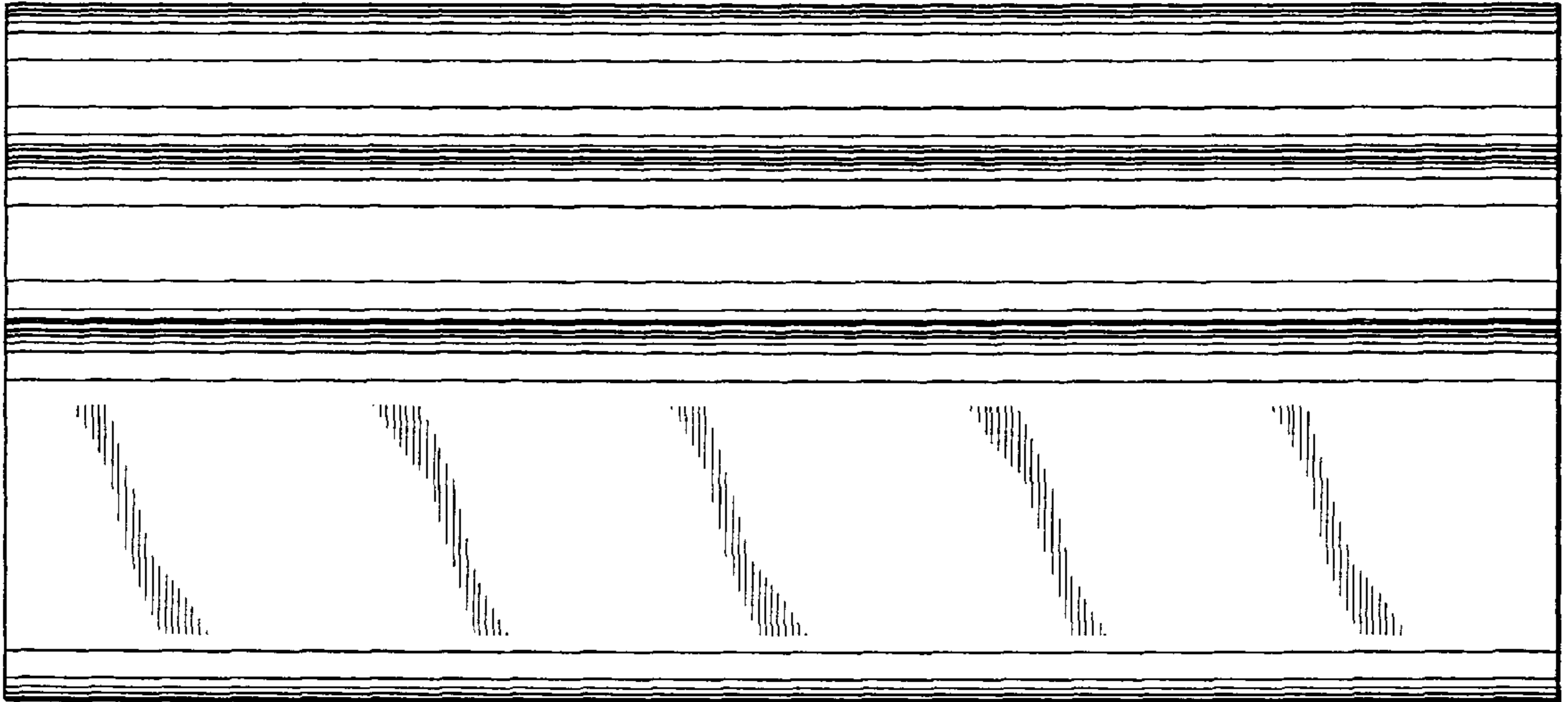


Fig. 6

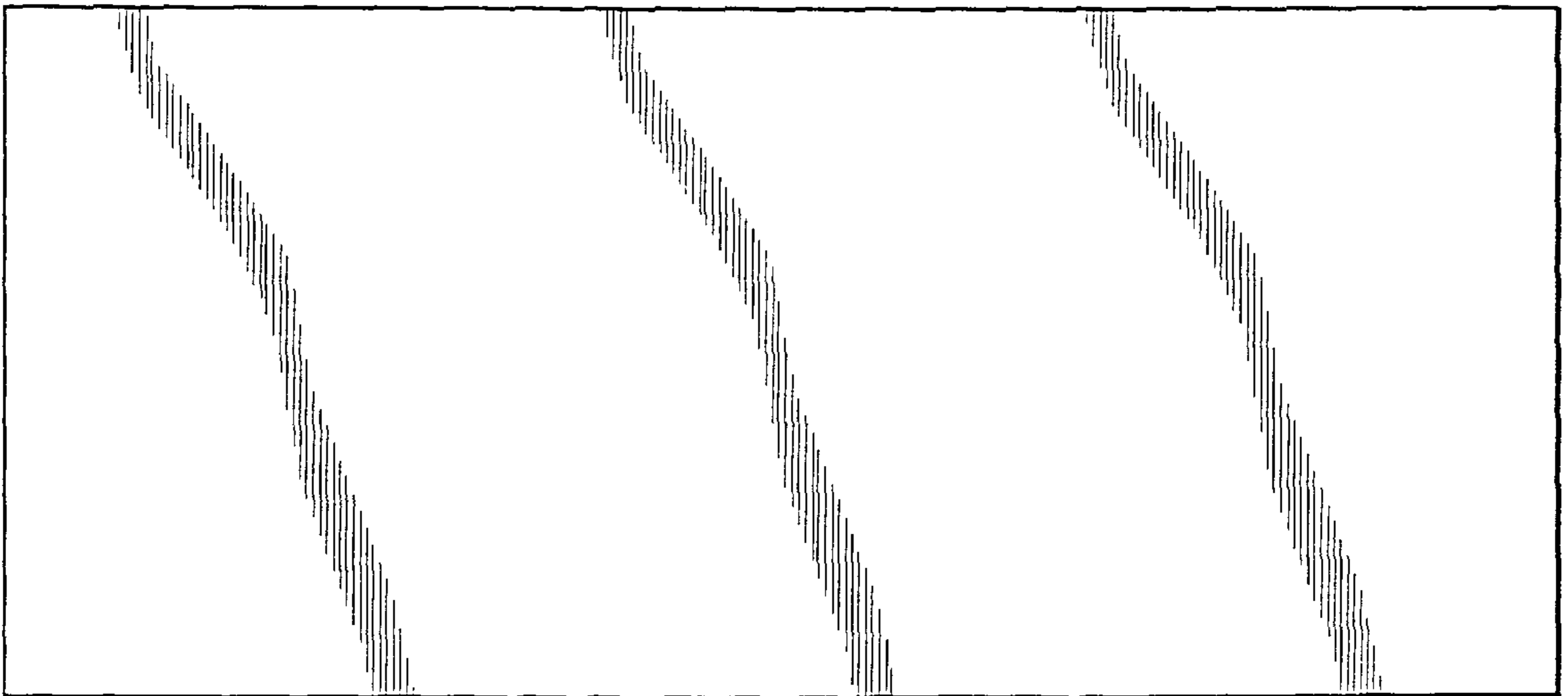


Fig. 7