



US00D410742S

United States Patent [19] Coolidge

[11] **Patent Number: Des. 410,742**
[45] **Date of Patent: ** Jun. 8, 1999**

[54] **STRAP-ON MALE PROSTHESIS**

FOREIGN PATENT DOCUMENTS

[76] Inventor: **David L. Coolidge**, 118 Industrial Way,
Unit A Corona, Calif. 91720

002355495 1/1978 France 600/39

[**] Term: **14 Years**

Primary Examiner—Stella Reid
Assistant Examiner—I Simmons
Attorney, Agent, or Firm—Willie Krawitz

[21] Appl. No.: **29/089,635**

[57] **CLAIM**

[22] Filed: **Jun. 19, 1998**

The ornamental design for a strap-on male prosthesis, as shown and described.

[51] **LOC (6) Cl.** **24-03**

[52] **U.S. Cl.** **D24/155**

[58] **Field of Search** D24/105, 155,
D24/200; 600/39, 40, 41, 38

DESCRIPTION

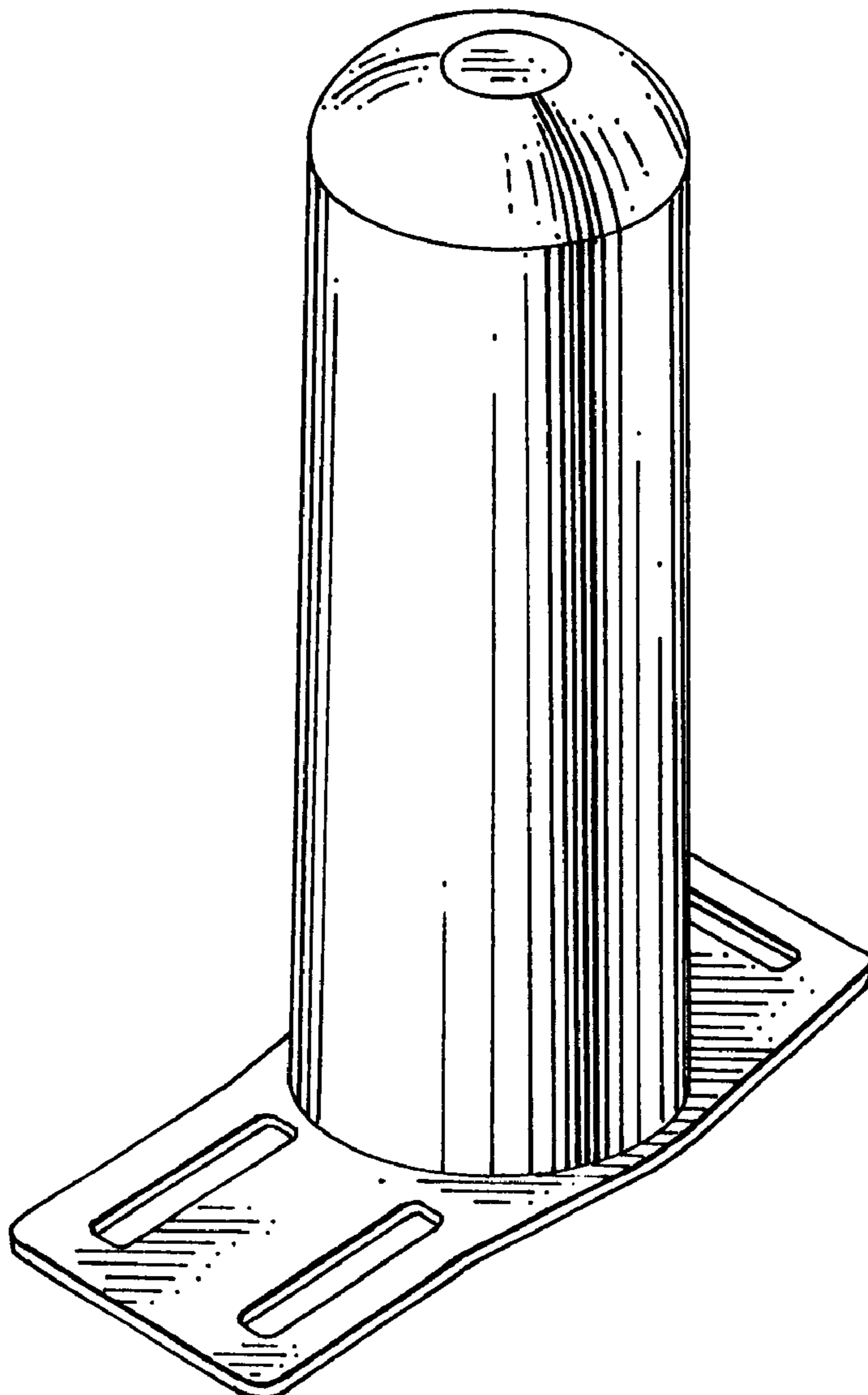
FIG. 1 is a perspective view of a strap-on male prosthesis, showing my new design;
FIG. 2 is a top plan view thereof;
FIG. 3 is a side elevation view thereof;
FIG. 4 is a bottom view thereof; and,
FIG. 5 is a front elevation view thereof.

[56] **References Cited**

U.S. PATENT DOCUMENTS

D. 401,341 11/1998 Poubouridis D24/155
844,798 2/1907 Hawley 600/39
5,360,390 11/1994 Magnum 600/39

1 Claim, 1 Drawing Sheet



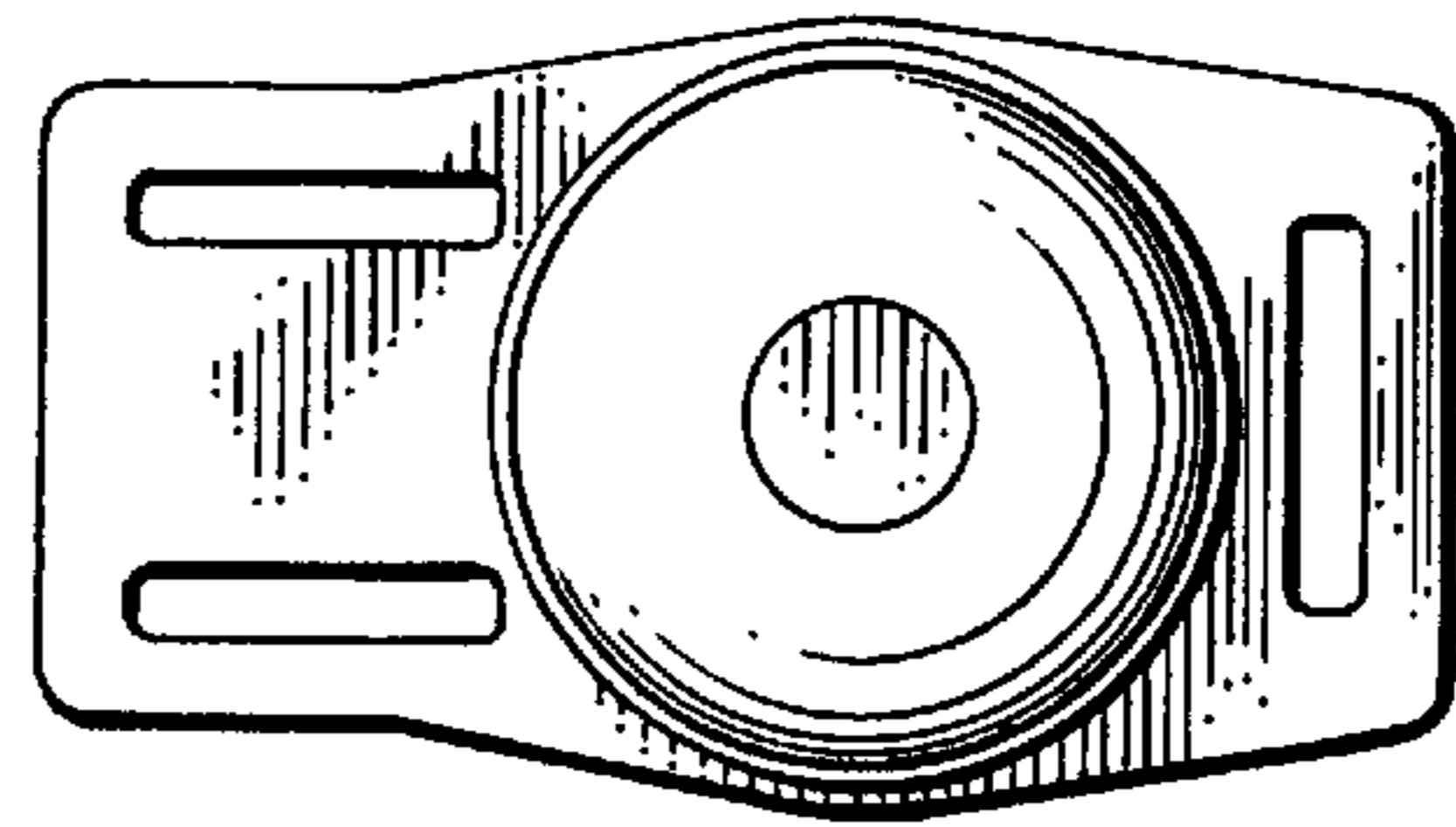
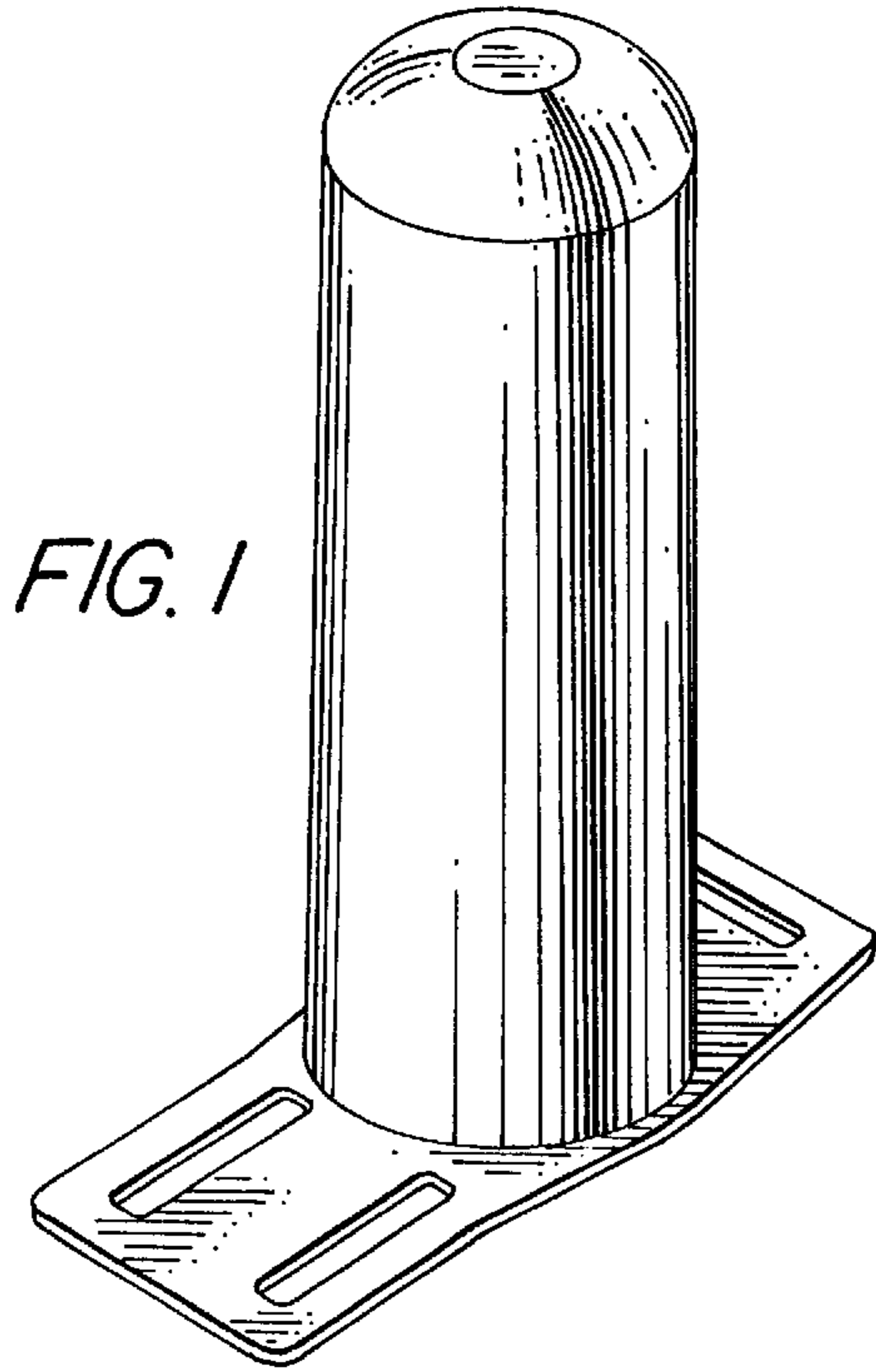


FIG. 2

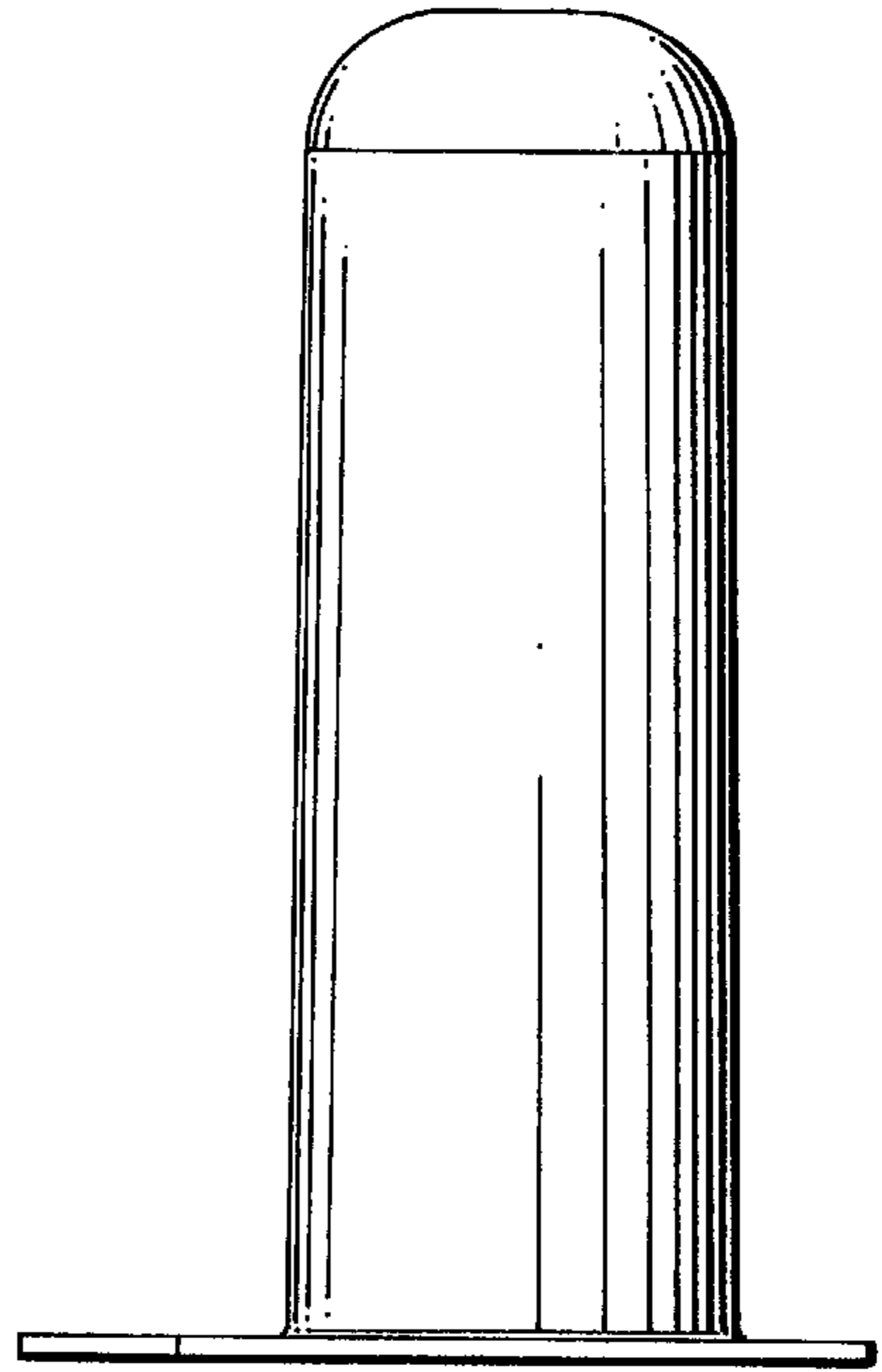


FIG. 3

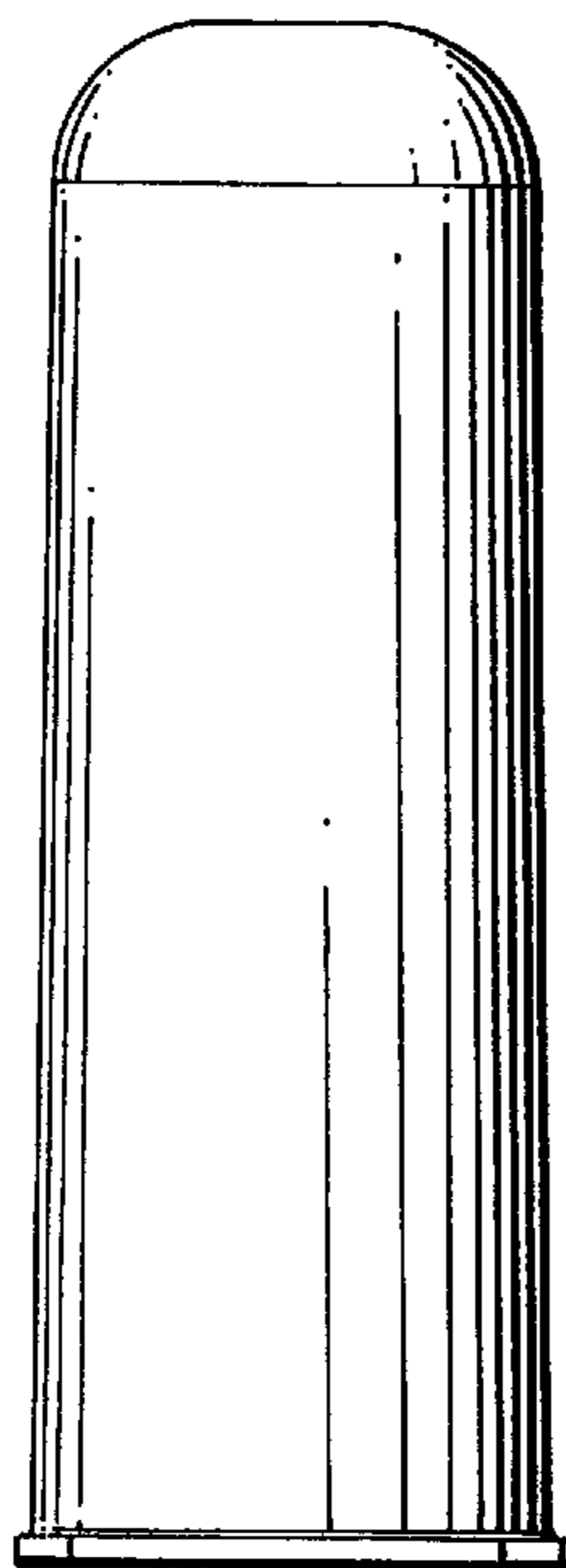


FIG. 5

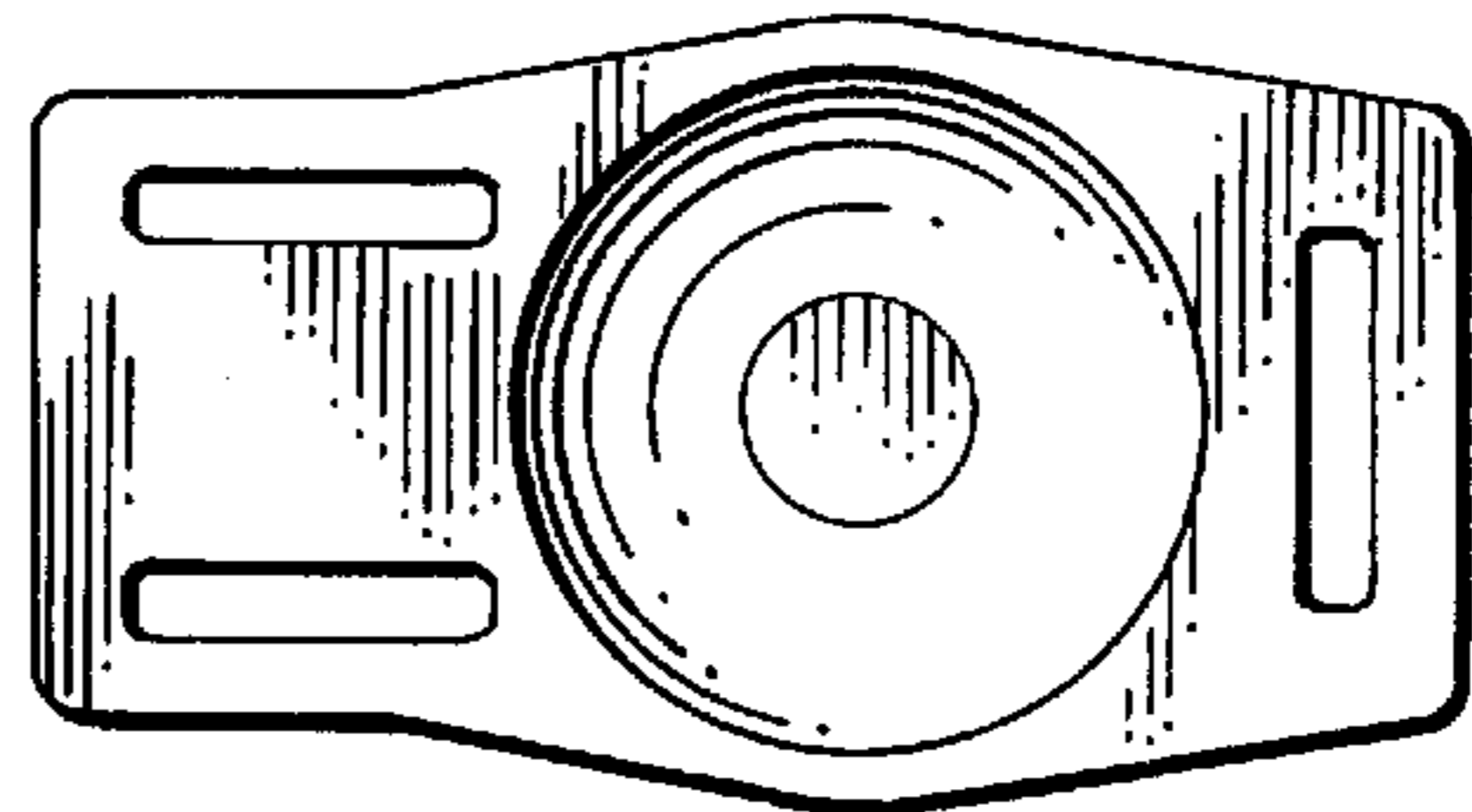


FIG. 4