



US00D410740S

United States Patent [19] Molina

[11] **Patent Number: Des. 410,740**
[45] **Date of Patent: ** Jun. 8, 1999**

[54] **PEDIATRIC CATHETER CONNECTOR**

[75] Inventor: **Roger V. Molina**, Summerfield, N.C.

[73] Assignee: **Incutech, Inc.**, Kernersville, N.C.

[**] Term: **14 Years**

[21] Appl. No.: **29/087,901**

[22] Filed: **May 11, 1998**

D. 314,622 2/1991 Andersson et al. .
D. 321,252 10/1991 Jepson et al. D24/112
D. 369,409 4/1996 Salter D24/129

Primary Examiner—Susan J. Lucas
Assistant Examiner—Cynthia E. Ramirez

[57] CLAIM

The ornamental design for a pediatric catheter connector, as shown and described.

DESCRIPTION

FIG. 1 is a front elevational view of a first of a pediatric catheter embodying my design;
FIG. 2 is a right elevational view thereof, the left side being a mirror image thereof;
FIG. 3 is a rear elevational view thereof;
FIG. 4 is a top plan view thereof;
FIG. 5 is a rear elevational view of another embodiment having three tubing openings, the other views thereof being identical to FIGS. 1-4; and,
FIG. 6 is a rear elevational view of another embodiment having four tubing openings, the other views thereof being identical to FIGS. 1-4.

Related U.S. Application Data

[62] Division of application No. 29/079,287, Nov. 12, 1997, Pat. No. Des. 399,559.

[51] **LOC (6) Cl.** **24-02**

[52] **U.S. Cl.** **D24/108**

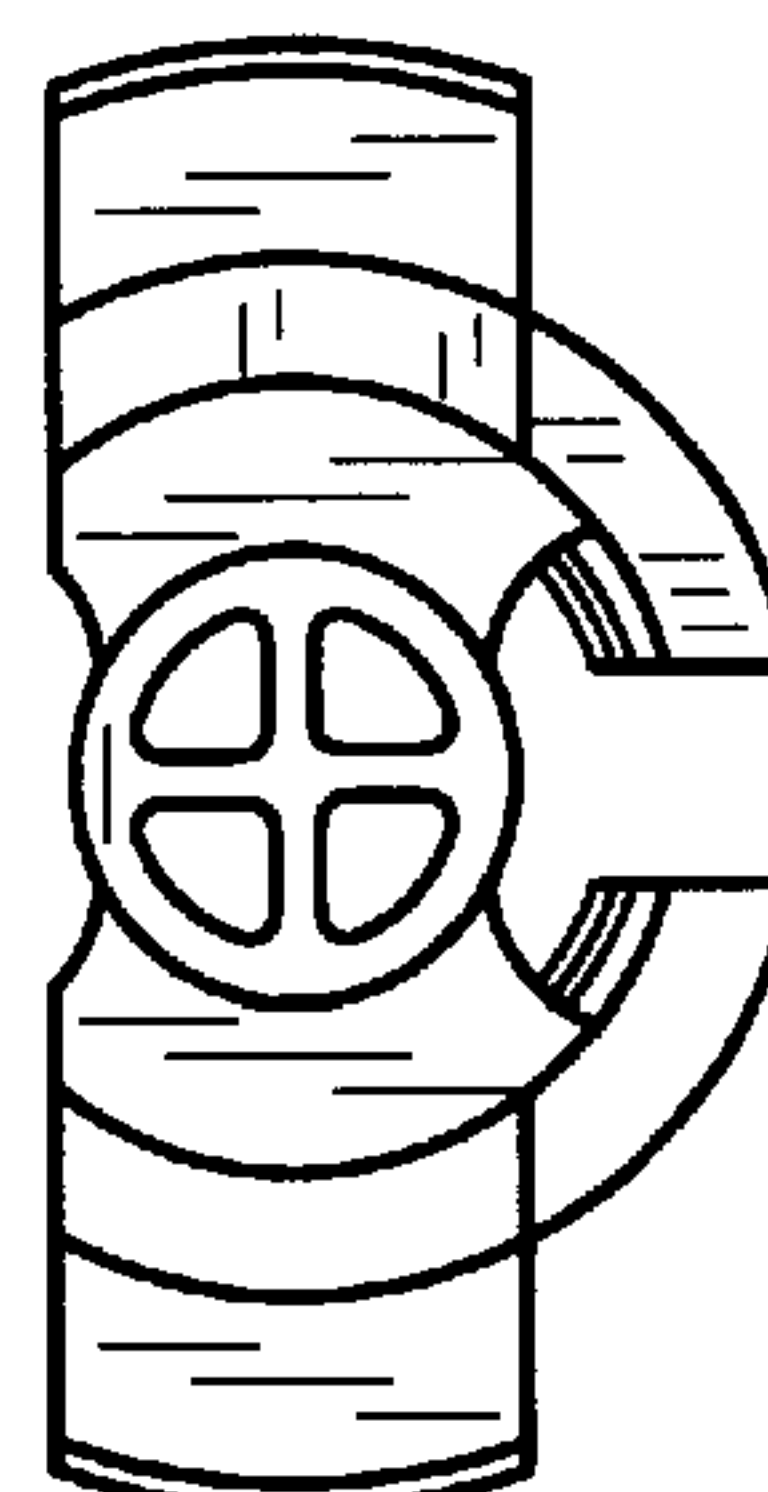
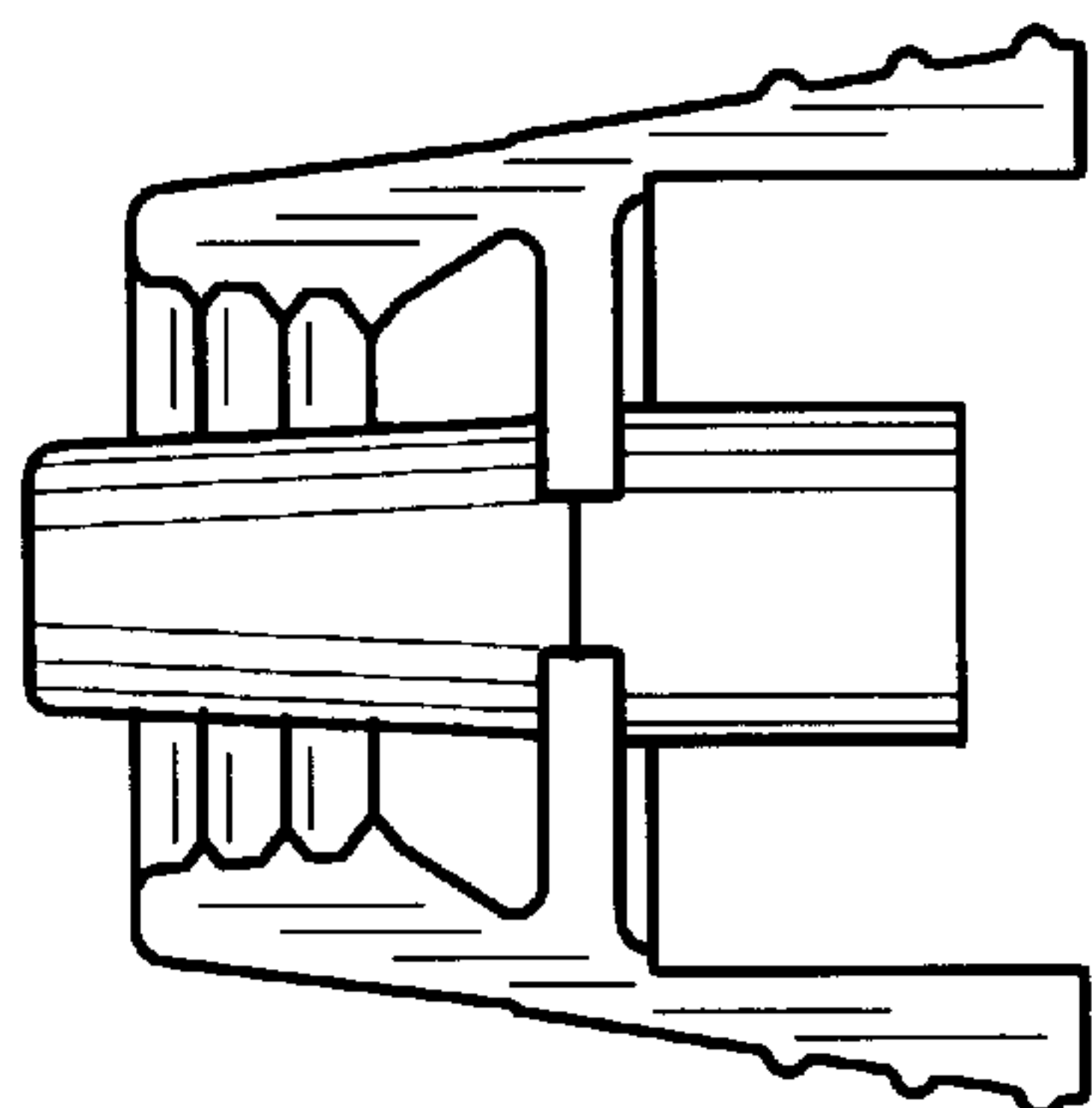
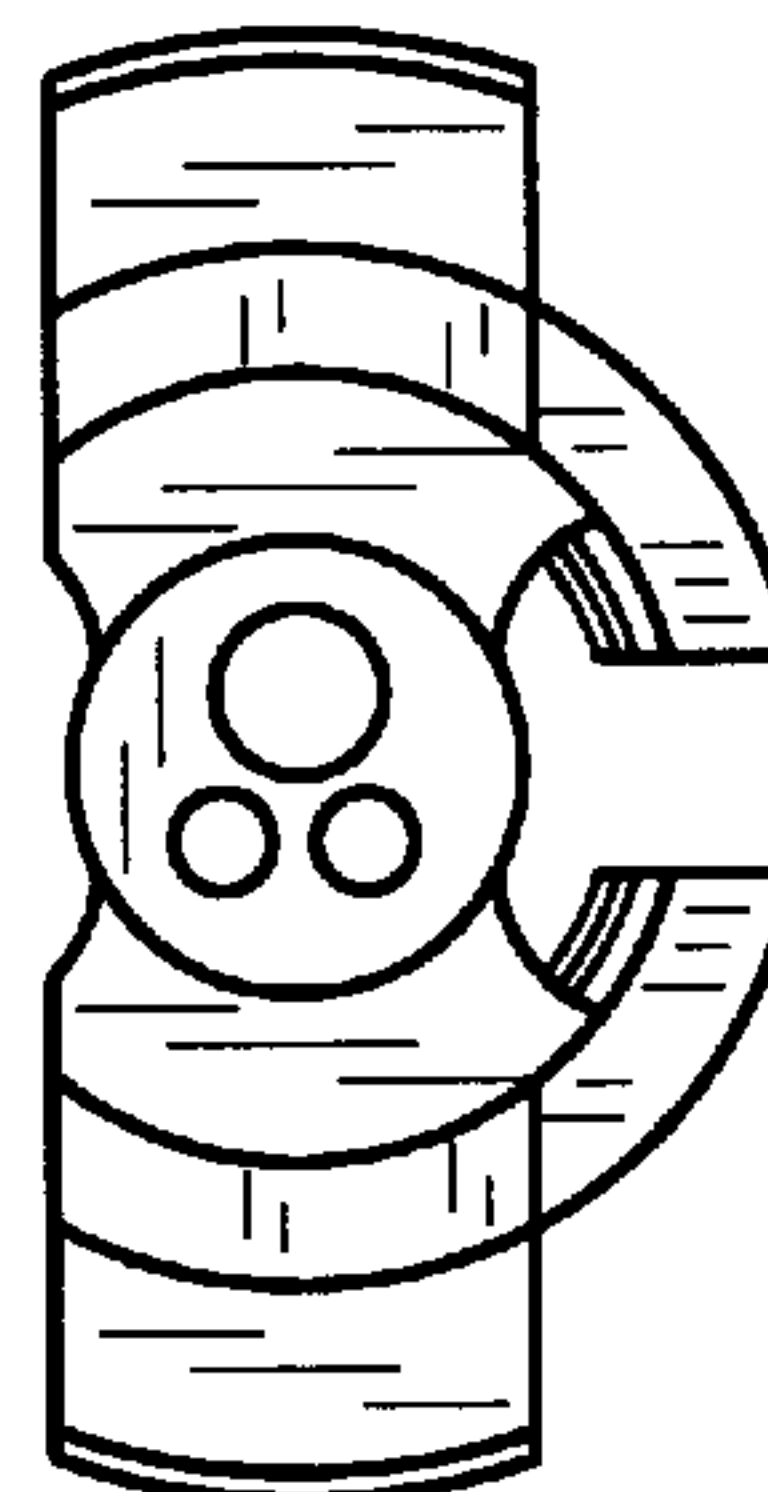
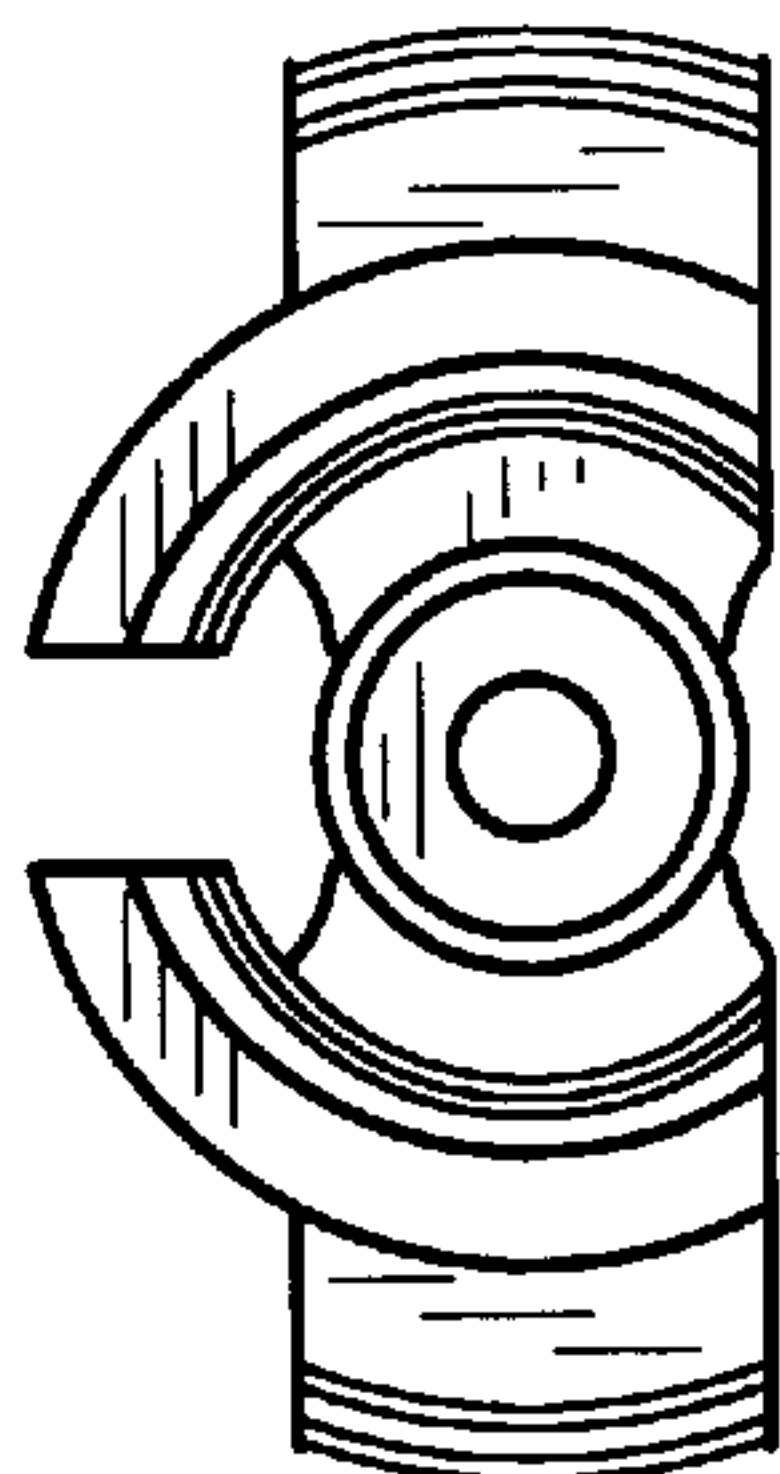
[58] **Field of Search** D24/112, 111, D24/130, 129; D13/133, 151; 604/243, 283, 240, 241, 242, 164, 180, 909; 285/81, 334.3, 339, 343, 353

[56] References Cited

U.S. PATENT DOCUMENTS

D. 302,729 8/1989 Stephens et al. .

1 Claim, 1 Drawing Sheet



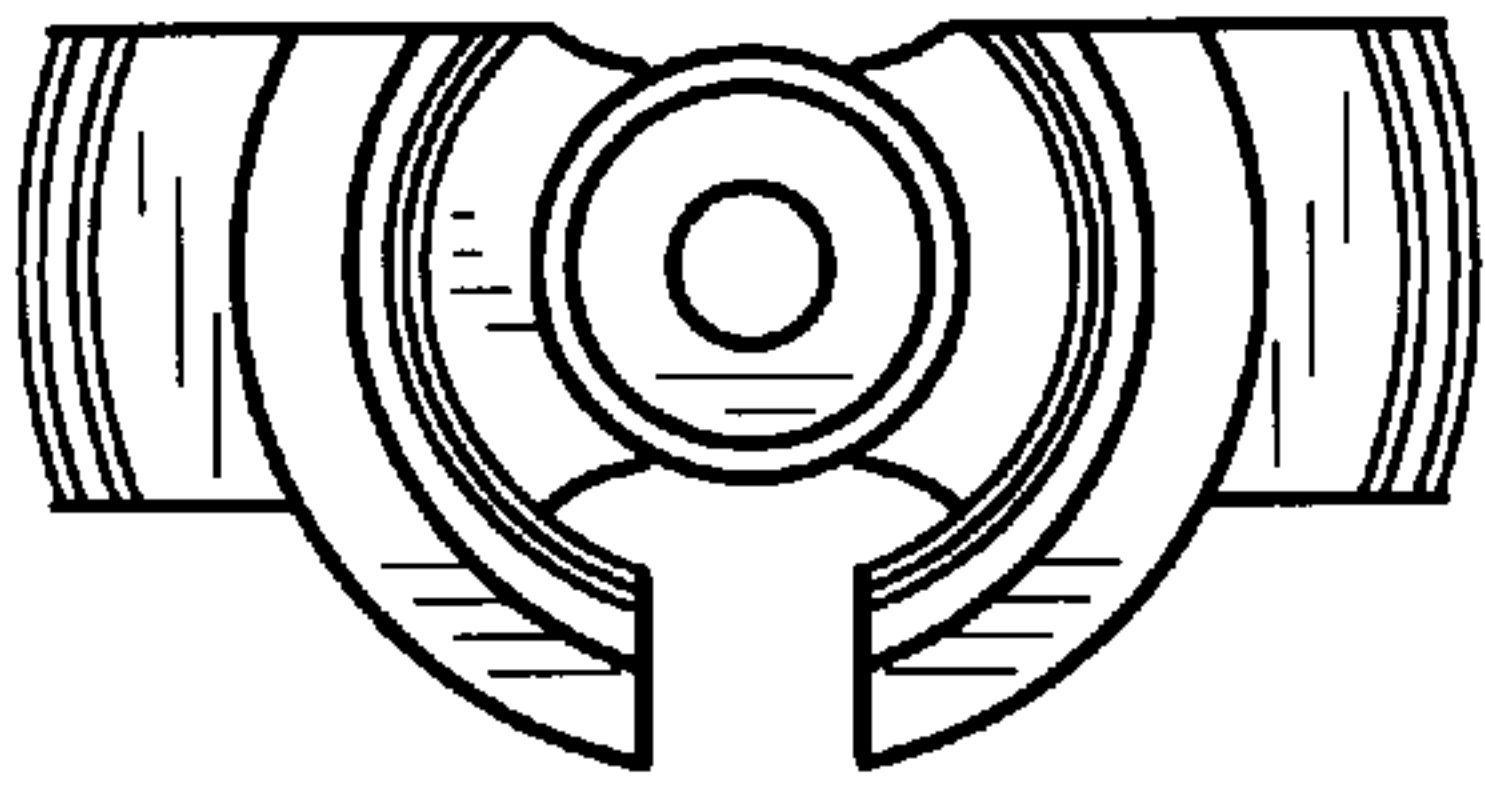


FIG. 1

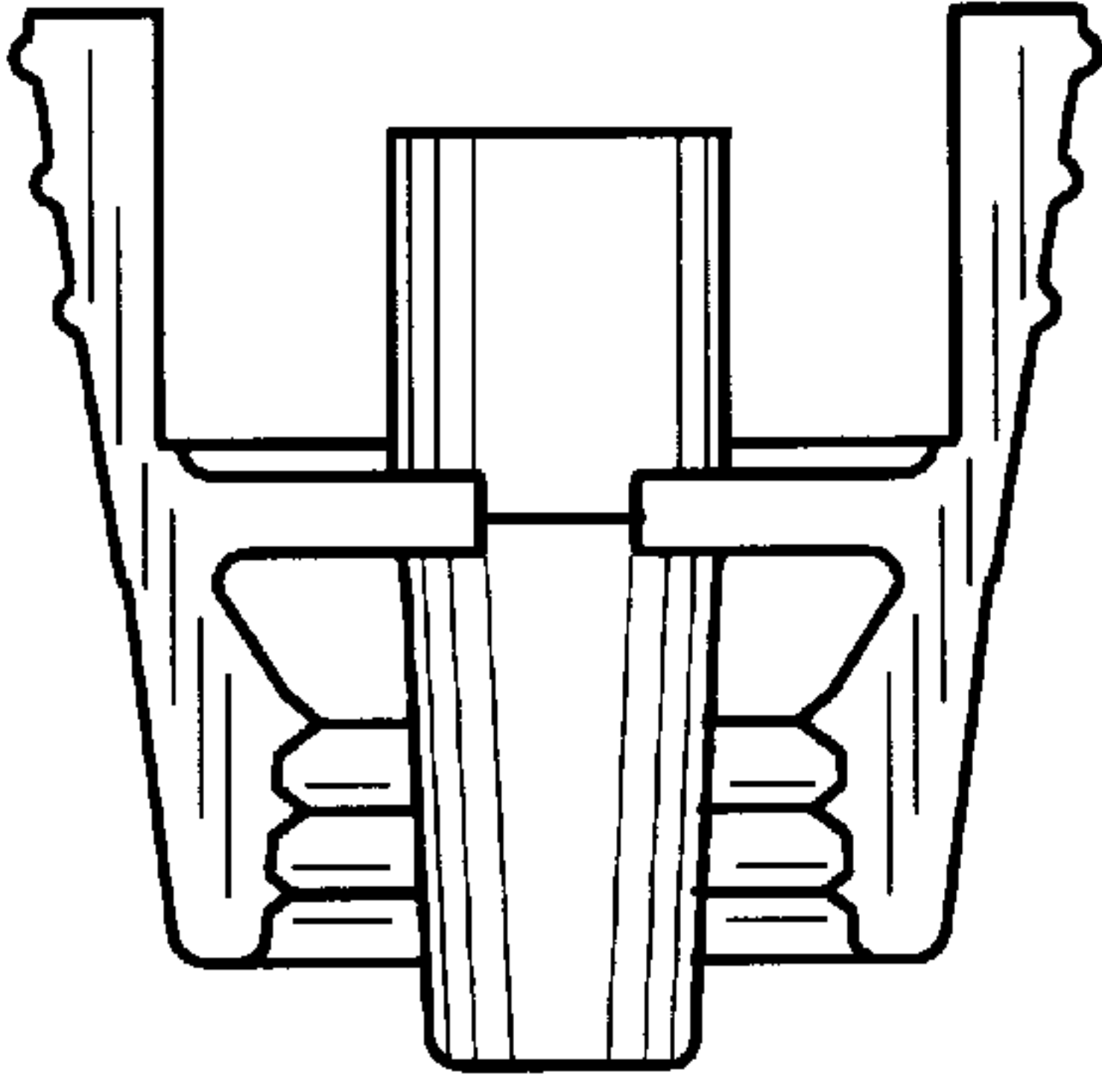


FIG. 2

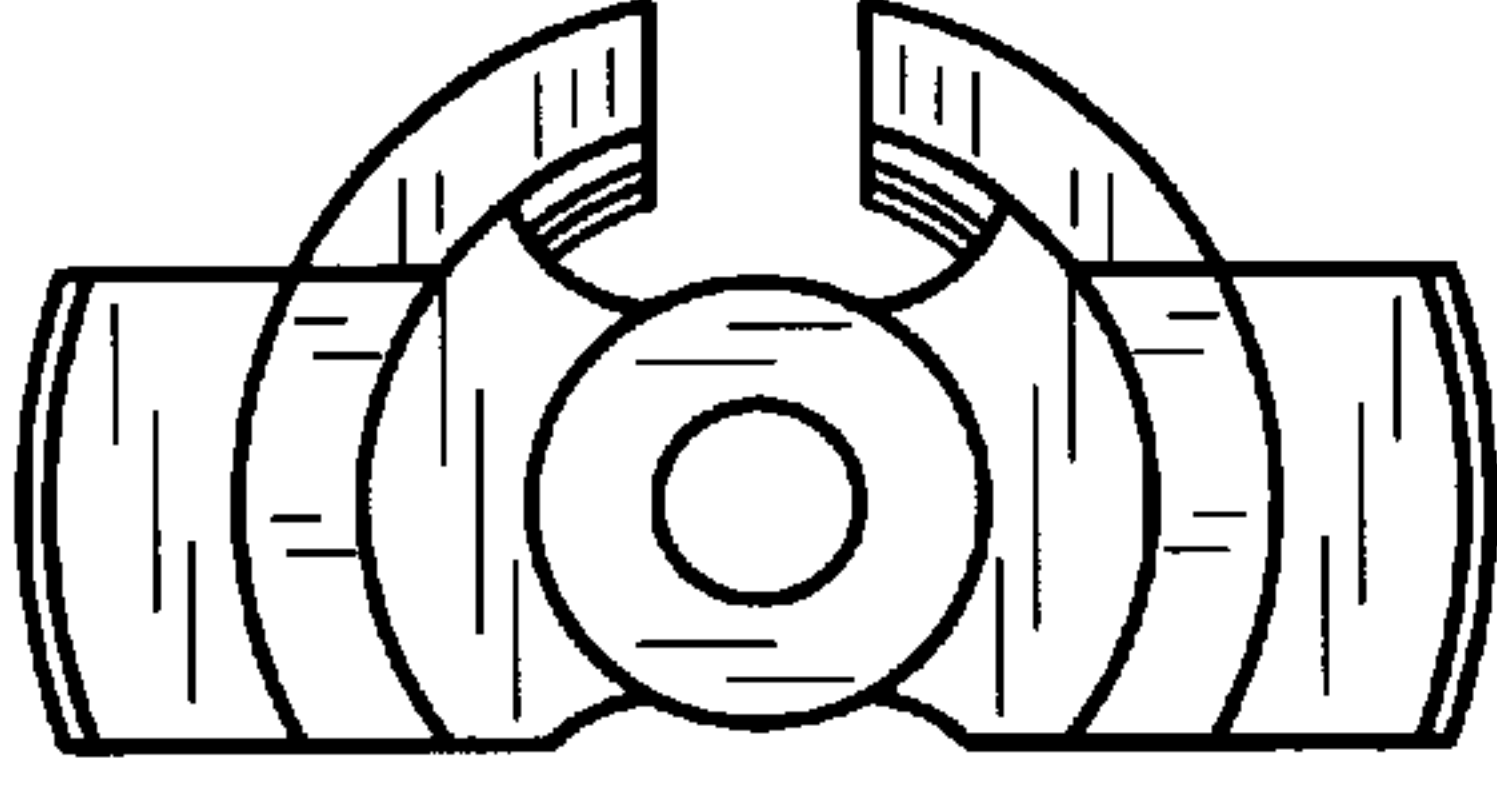


FIG. 3

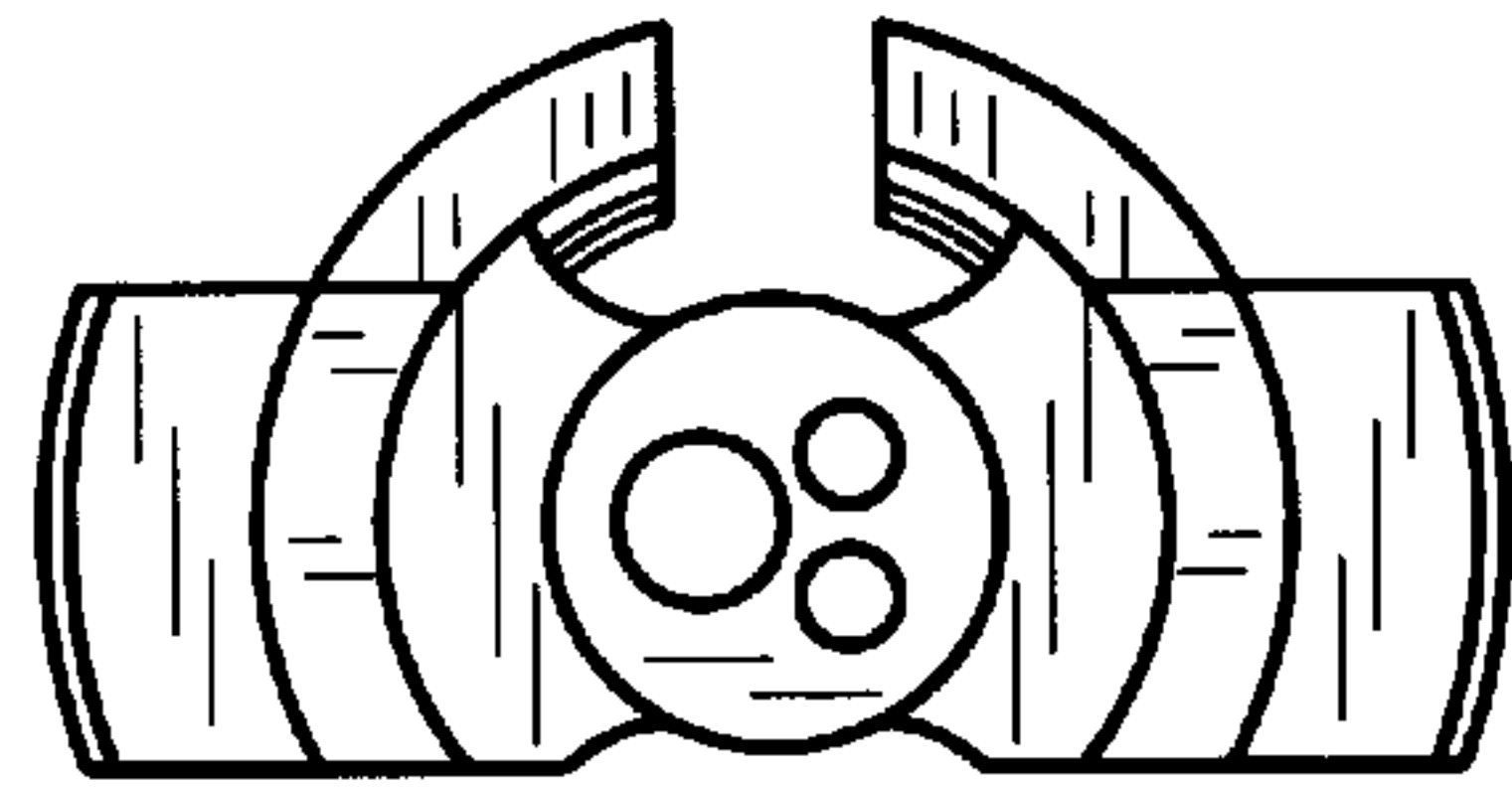


FIG. 5

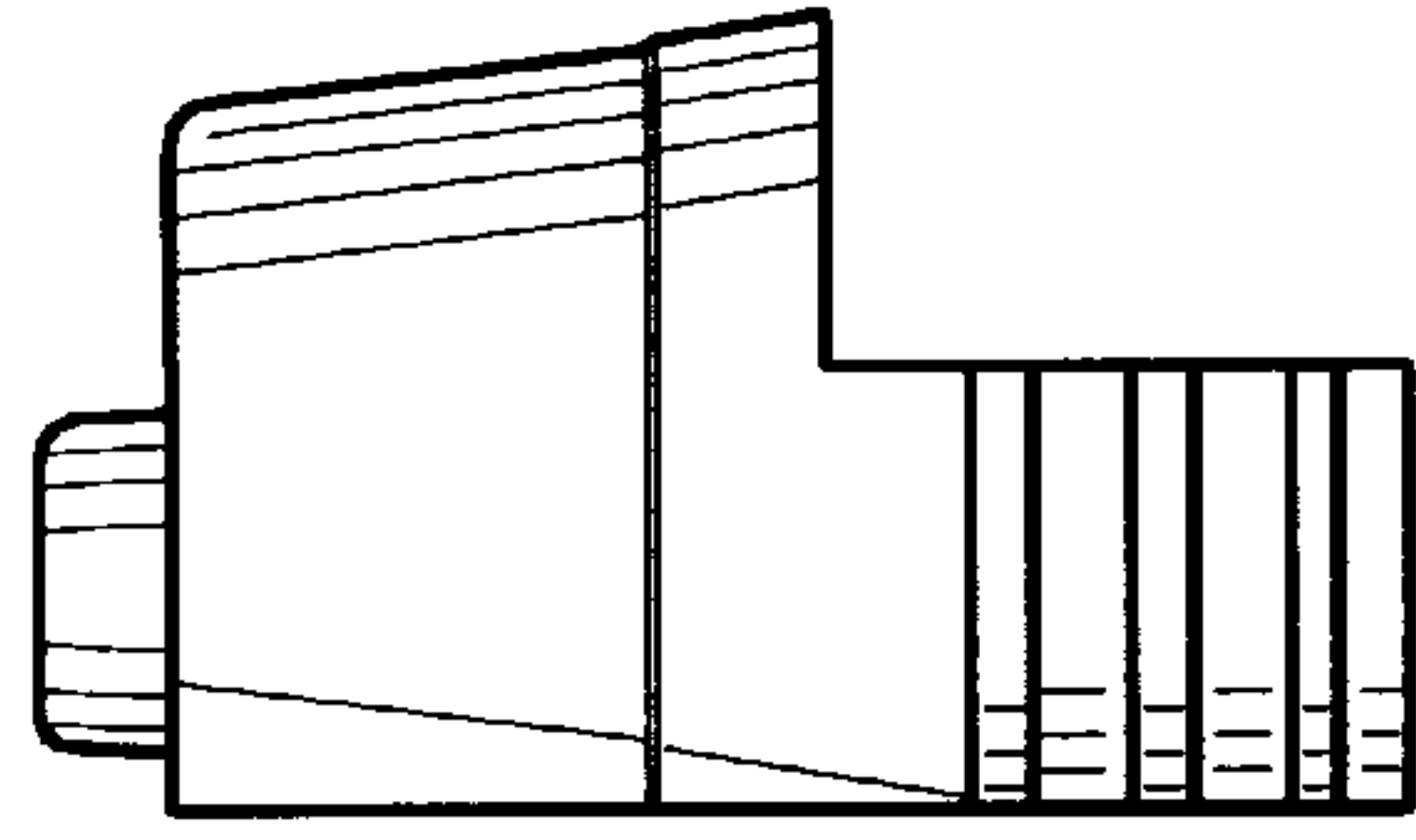


FIG. 4

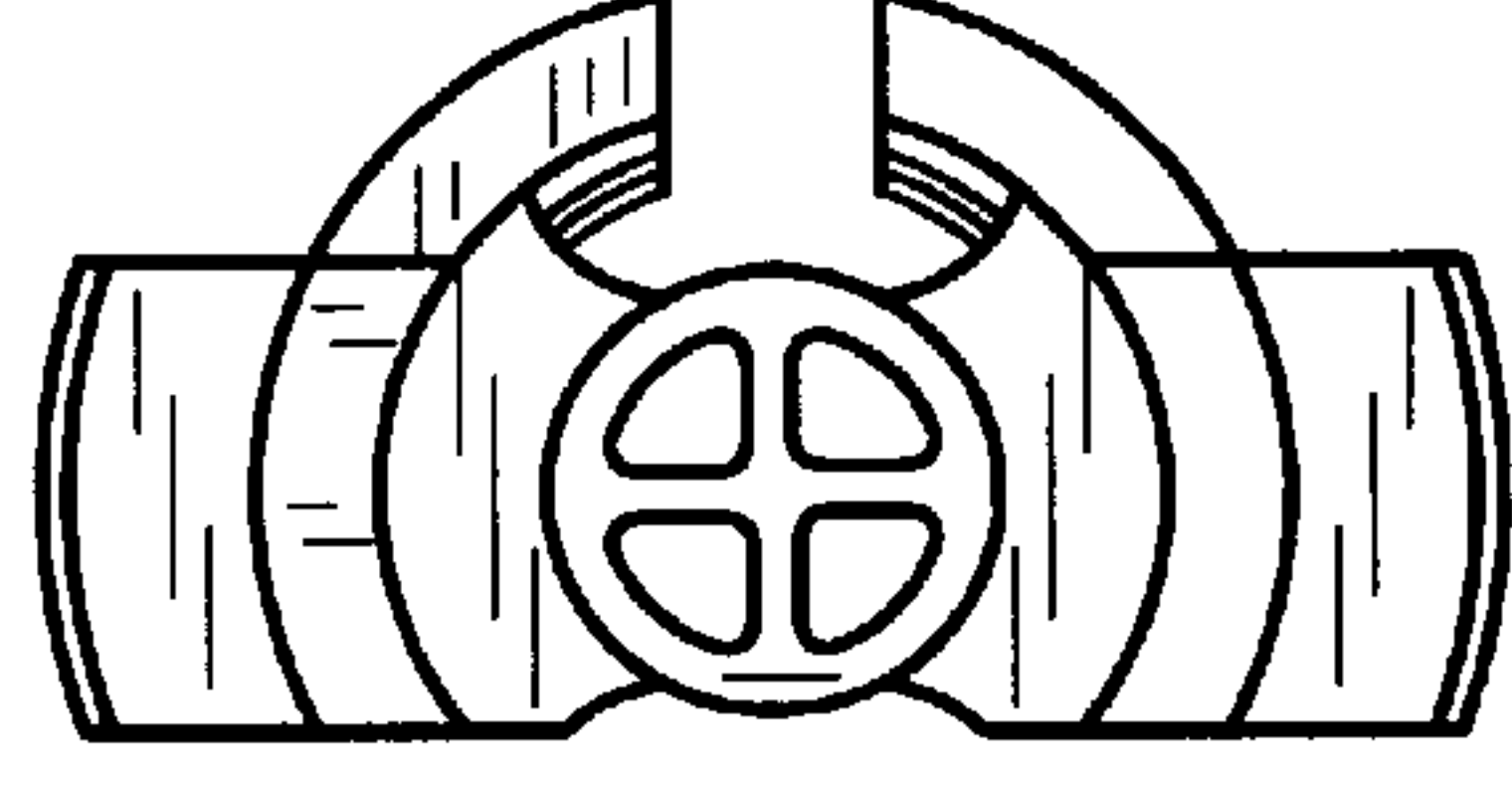


FIG. 6