



US00D410739S

United States Patent [19]

Reeves-Artison et al.

[11] Patent Number: **Des. 410,739**

[45] Date of Patent: **** Jun. 8, 1999**

[54] **CHILDREN'S PORTABLE POTTY**

4,846,076 7/1989 Menges, Sr. et al. 248/213.2 X
5,429,265 7/1995 Maire et al. 220/522

[76] Inventors: **Tammie A. Reeves-Artison; Kenneth B. Artison**, both of 4011 Windermere Dr., Memphis, Tenn. 38128

Primary Examiner—Louis S. Zarfes
Assistant Examiner—Eric Watterson
Attorney, Agent, or Firm—Garvey, Smith, Nehrbass & Doody

[**] Term: **14 Years**

[21] Appl. No.: **29/090,409**

[57] **CLAIM**

[22] Filed: **Jul. 8, 1998**

The ornamental design for a children's portable potty, as shown.

[51] **LOC (6) Cl.** **23-02**

DESCRIPTION

[52] **U.S. Cl.** **D23/299**

[58] **Field of Search** D23/296, 297-301;
4/235, 239, 449, 476-479, 483

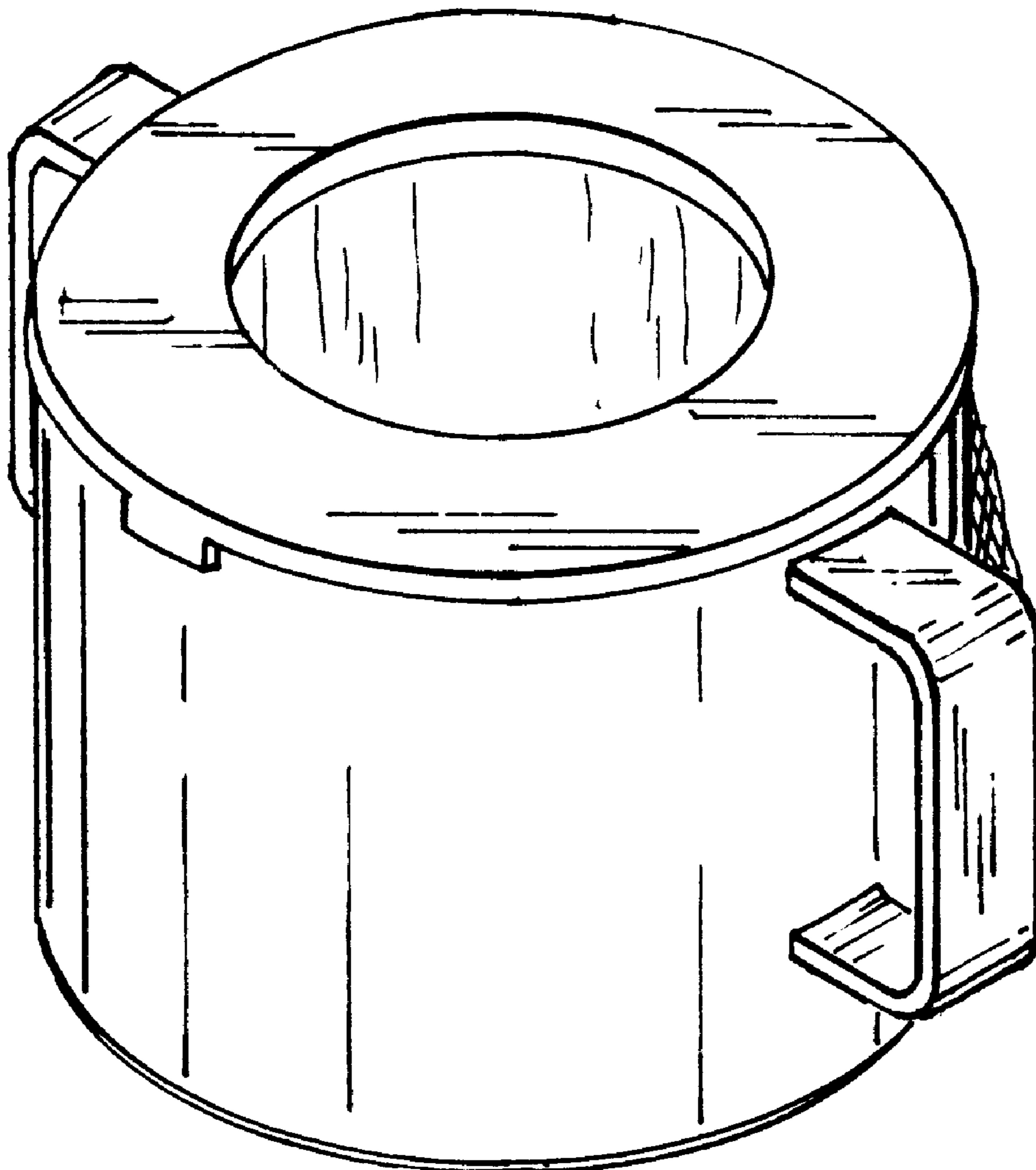
FIG. 1 is a perspective view of a children's portable potty showing my new design;
FIG. 2 is a top view thereof;
FIG. 3 is a front elevational view thereof;
FIG. 4 is a bottom view thereof;
FIG. 5 is a rear elevational view thereof; and,
FIG. 6 is a right side elevational view thereof; the undisclosed left side elevational view being a mirror image.

[56] **References Cited**

U.S. PATENT DOCUMENTS

D. 190,555	6/1961	Weidner	D23/311
D. 379,495	5/1997	Sidman et al.	D23/296
3,751,845	8/1973	Van Leeuwen	D6/351 X
4,295,680	10/1981	Grasso	D6/351 X
4,606,080	8/1986	Clementino	4/460

1 Claim, 2 Drawing Sheets



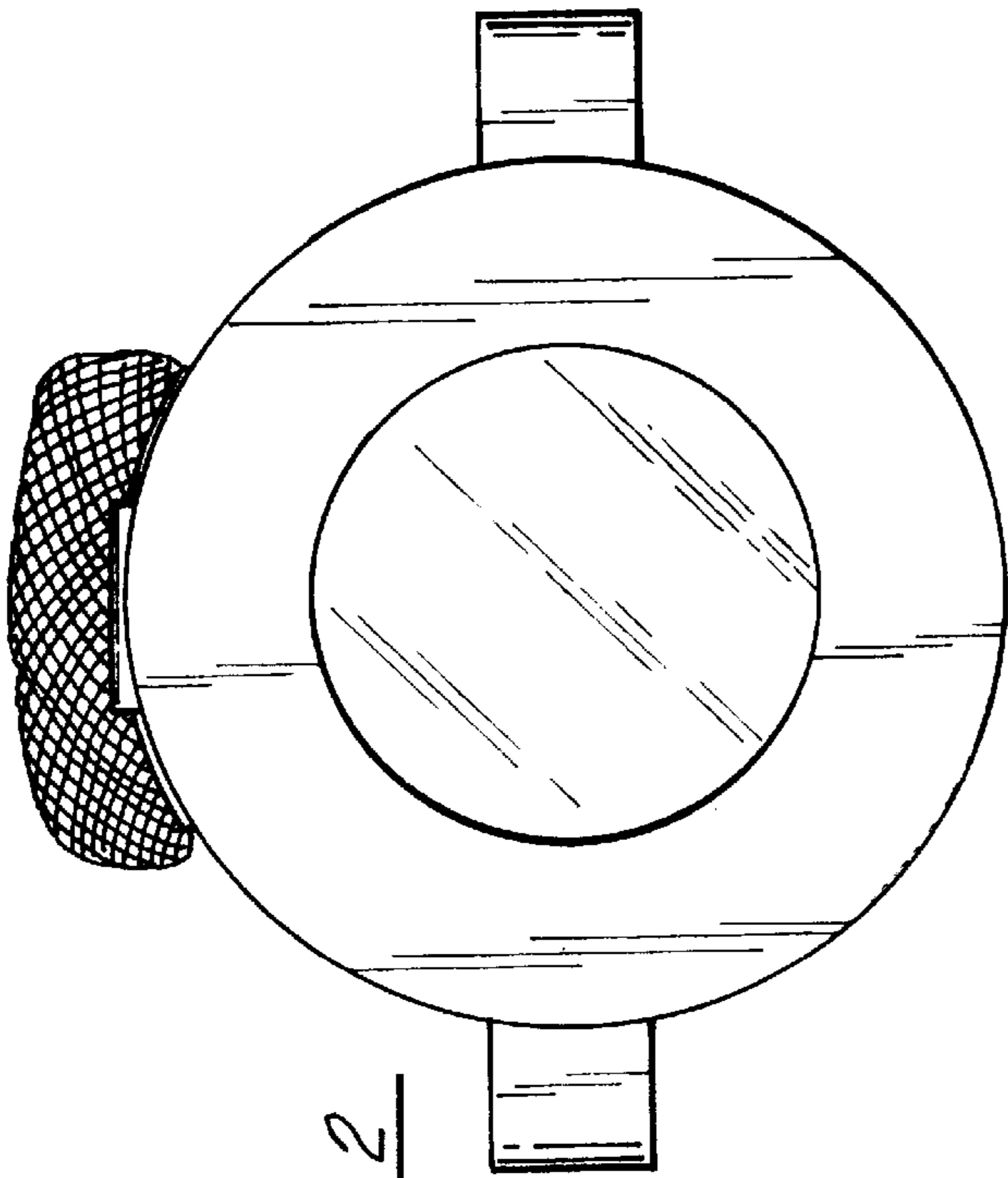


FIG. 2

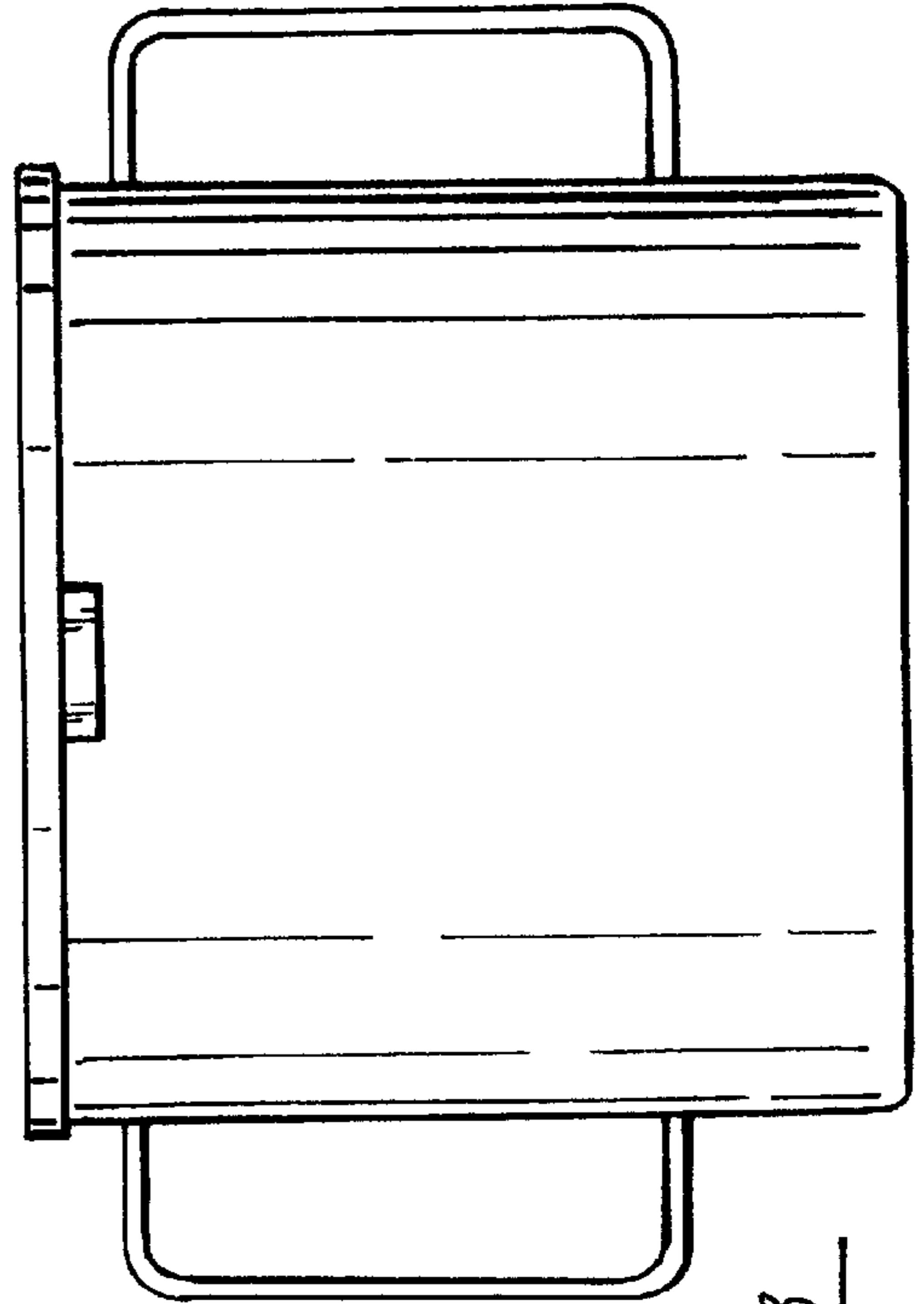


FIG. 3

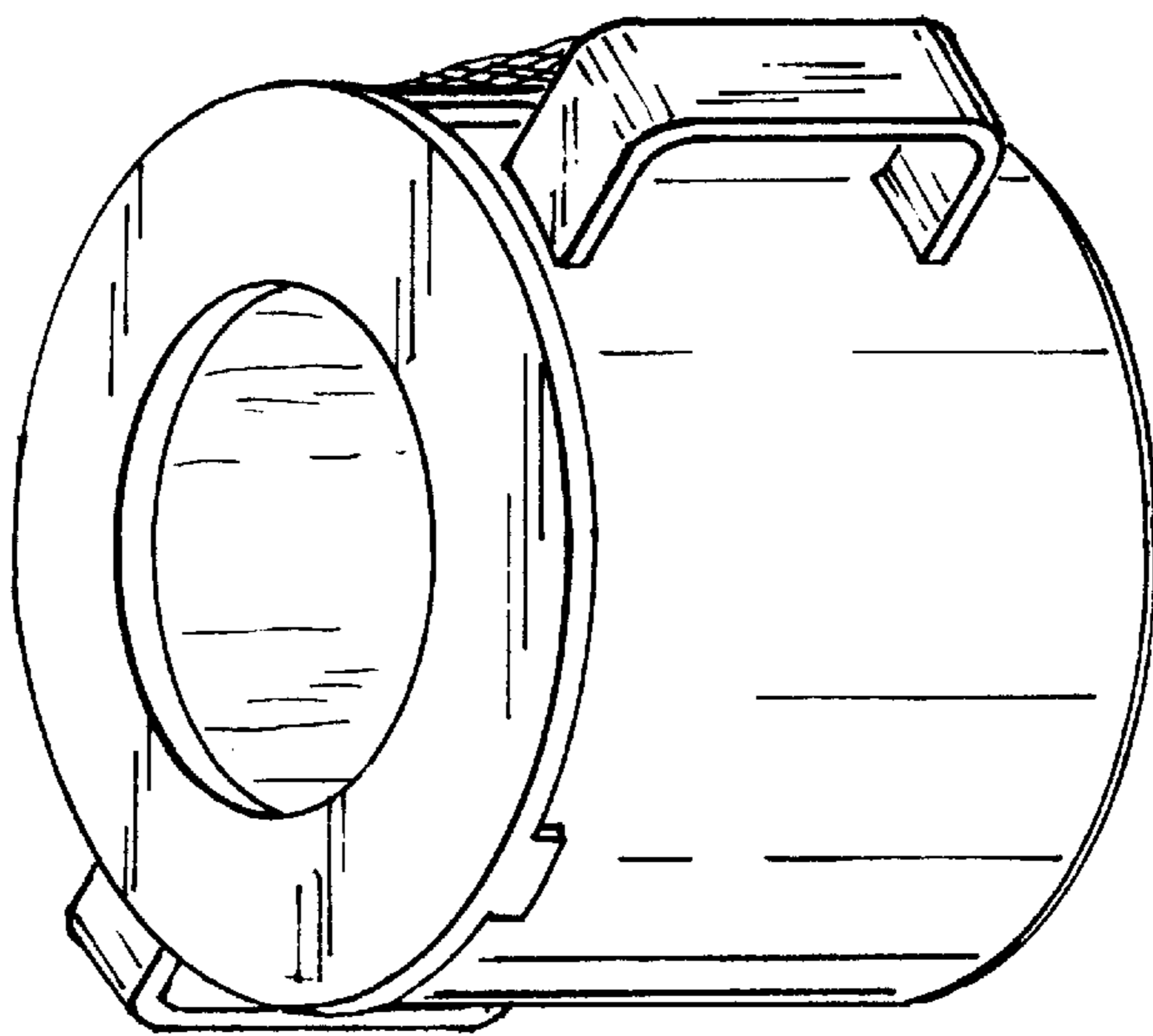


FIG. 1

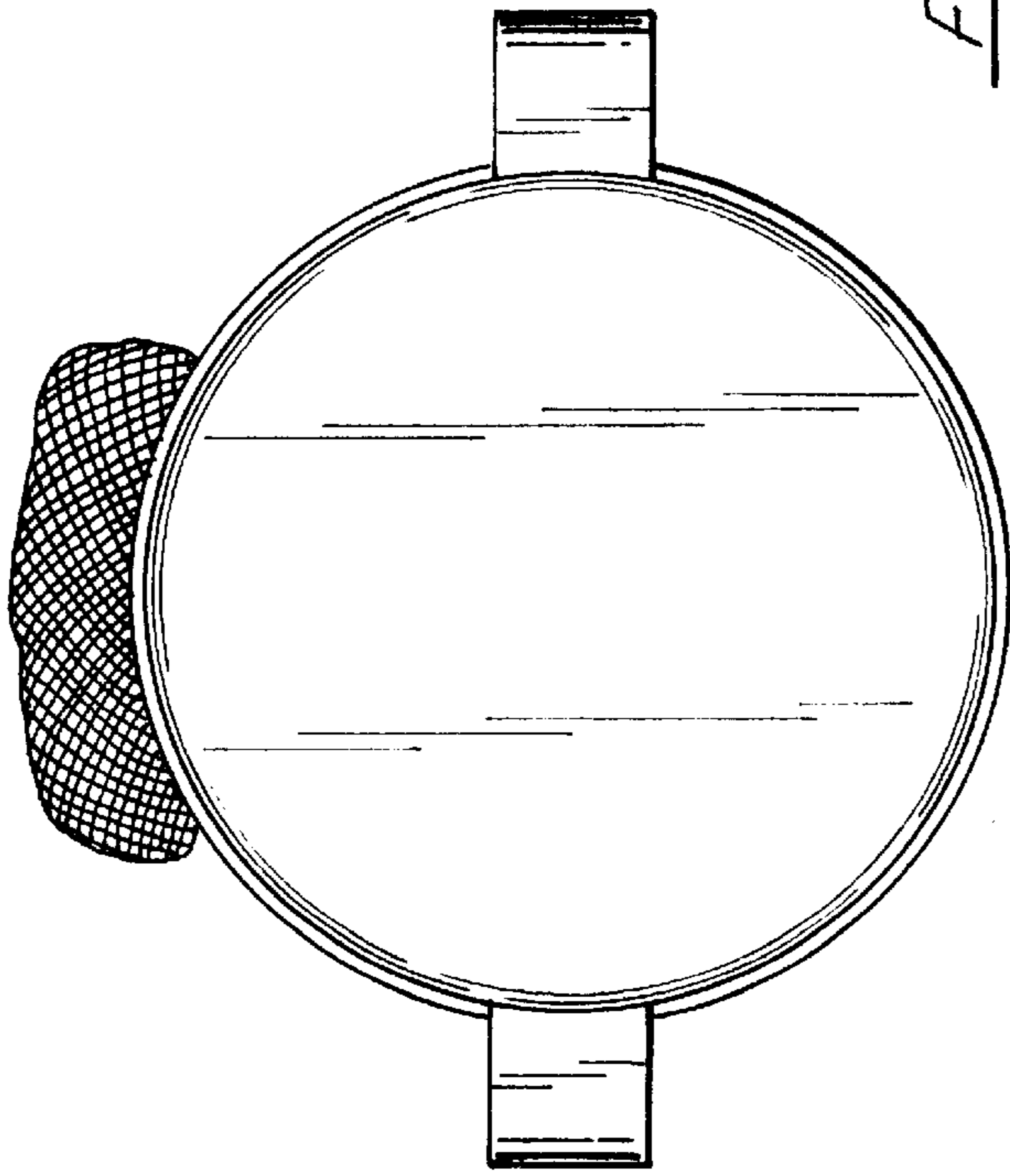


FIG. 4

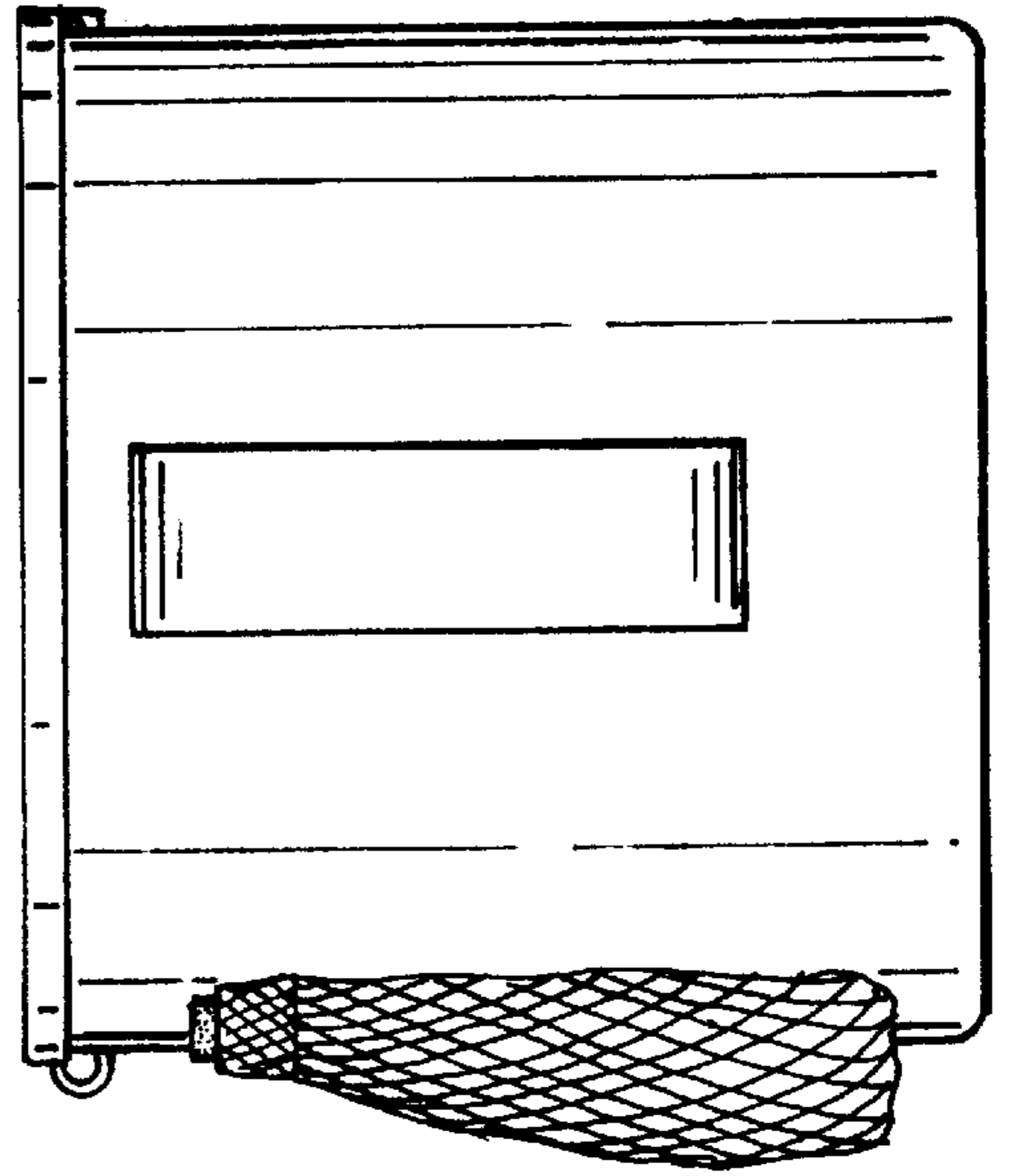


FIG. 6

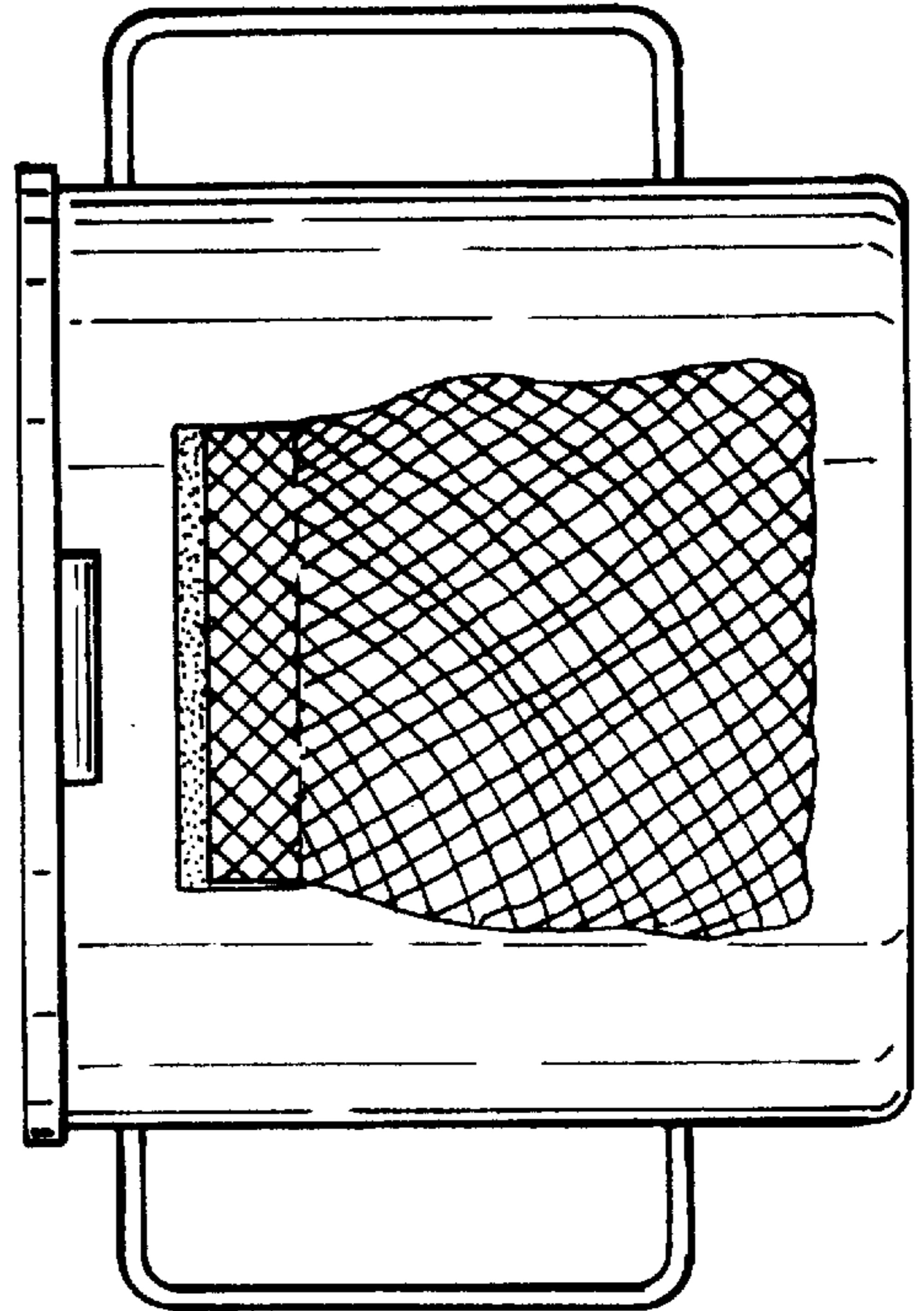


FIG. 5