



US00D410737S

United States Patent [19] Gottwald

[11] **Patent Number: Des. 410,737**
[45] **Date of Patent: ** Jun. 8, 1999**

[54] **LEVER HEAD FOR A FAUCET**
[75] Inventor: **Adolf Gottwald**, Iserlohn, Germany
[73] Assignee: **Friedrich Grohe AG**, Hemer, Germany
[**] Term: **14 Years**

D. 291,238 8/1987 Haug et al. D23/252
D. 331,450 12/1992 Haug et al. D23/252
D. 357,060 4/1995 Haug et al. D23/252
D. 393,052 3/1998 Lobermeier D23/250

[21] Appl. No.: **29/091,375**
[22] Filed: **Jul. 29, 1998**
[30] **Foreign Application Priority Data**

Primary Examiner—Louis S. Zarfes
Assistant Examiner—Eric Watterson
Attorney, Agent, or Firm—Herbert Dubno

Feb. 19, 1998 [DE] Germany M 98 01 732

[57] **CLAIM**

[51] **LOC (6) Cl.** **23-01**
[52] **U.S. Cl.** **D23/250**
[58] **Field of Search** D23/238-243,
D23/250-257; D8/300-310; 4/675-678;
16/110 R-121

The ornamental design for a lever head for a faucet, as shown and described.

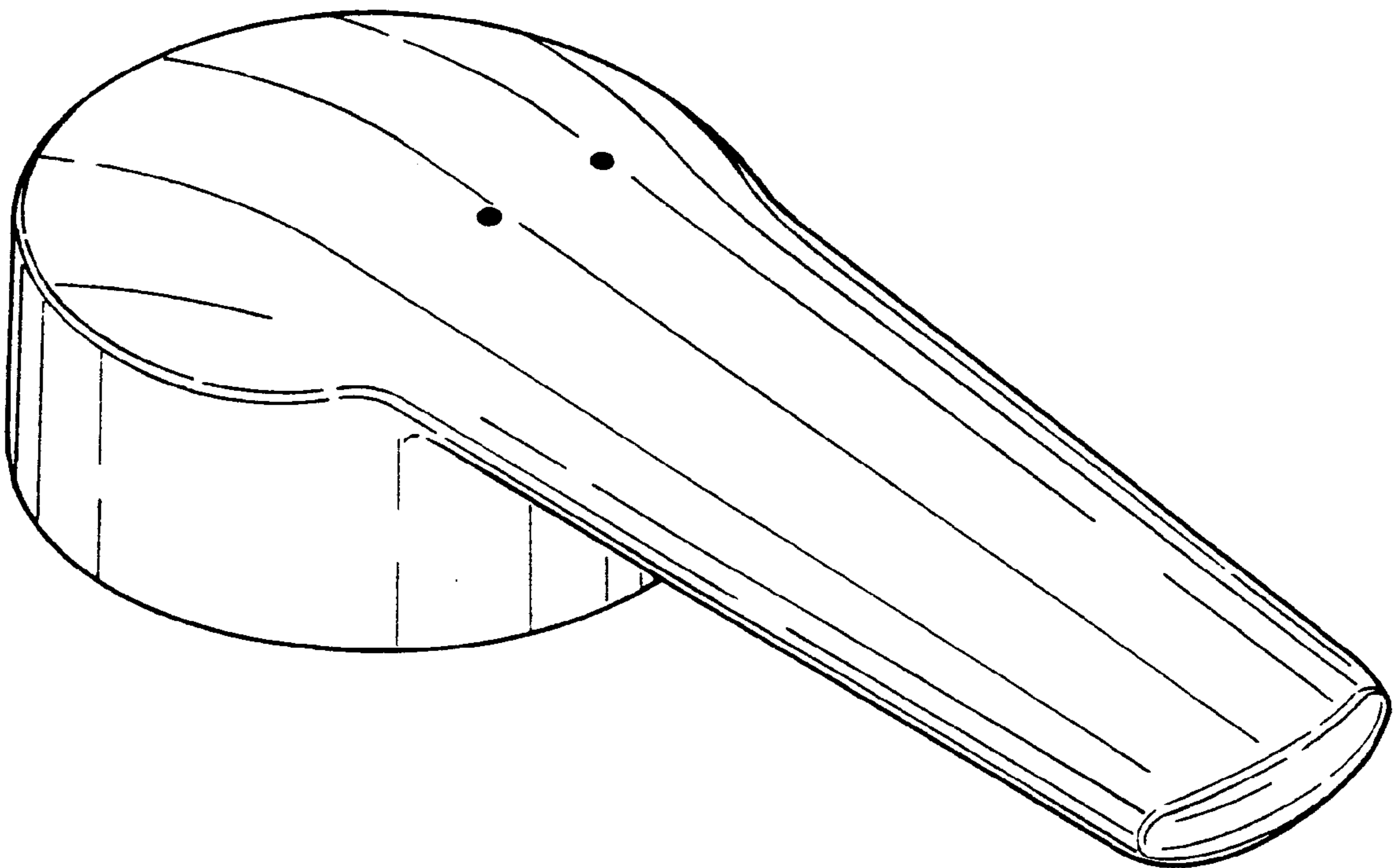
DESCRIPTION

[56] **References Cited**
U.S. PATENT DOCUMENTS

FIG. 1 is a top, front, left-side perspective view of a lever head for a faucet showing my new design;
FIG. 2 is a front view thereof;
FIG. 3 is a rear view thereof;
FIG. 4 is a left side elevational view thereof, the right side elevational view being mirror symmetrical thereto;;
FIG. 5 is a bottom view thereof; and,
FIG. 6 is a top view thereof.

D. 254,088 1/1980 Haug D23/252

1 Claim, 2 Drawing Sheets



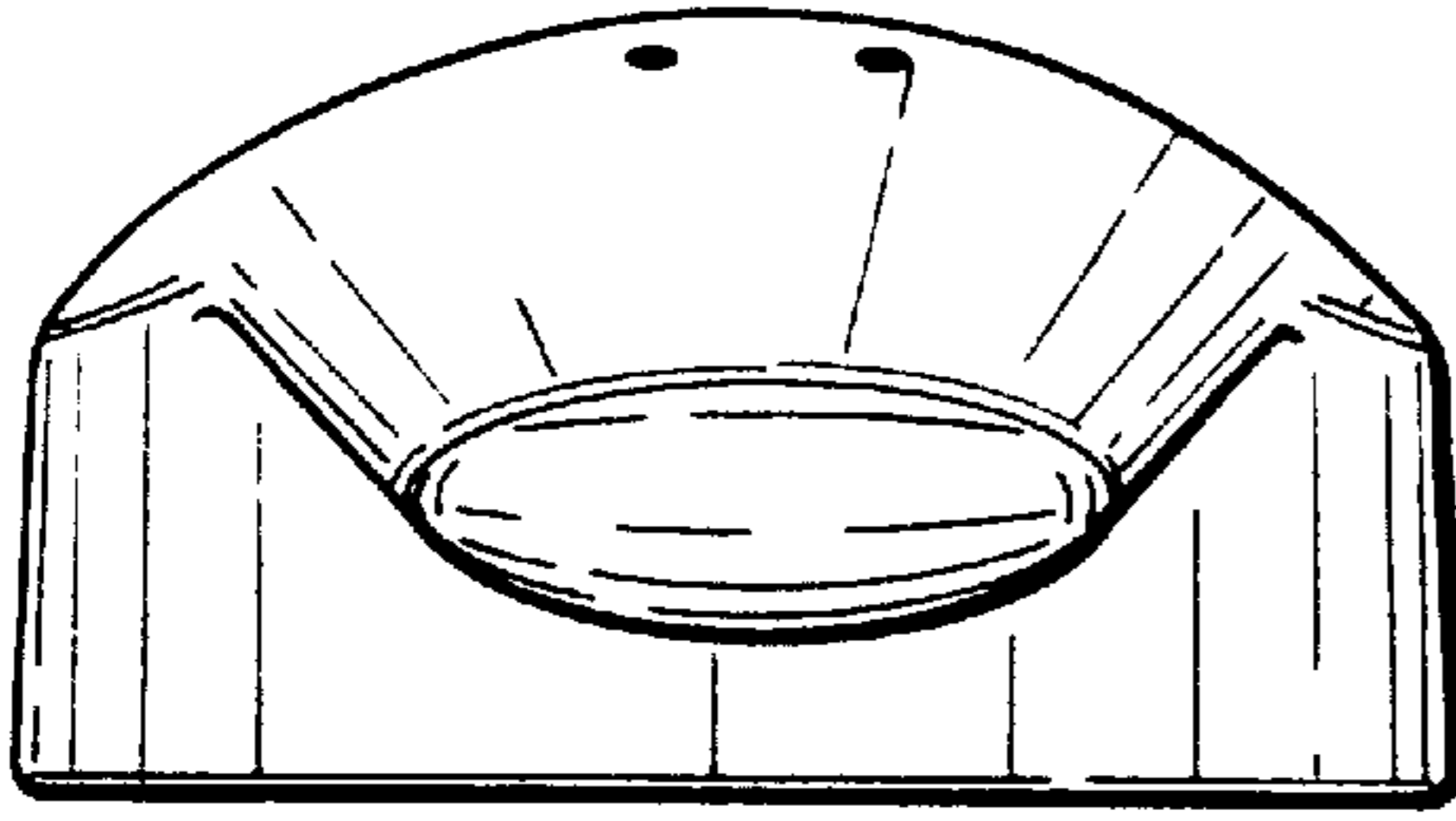


FIG. 2

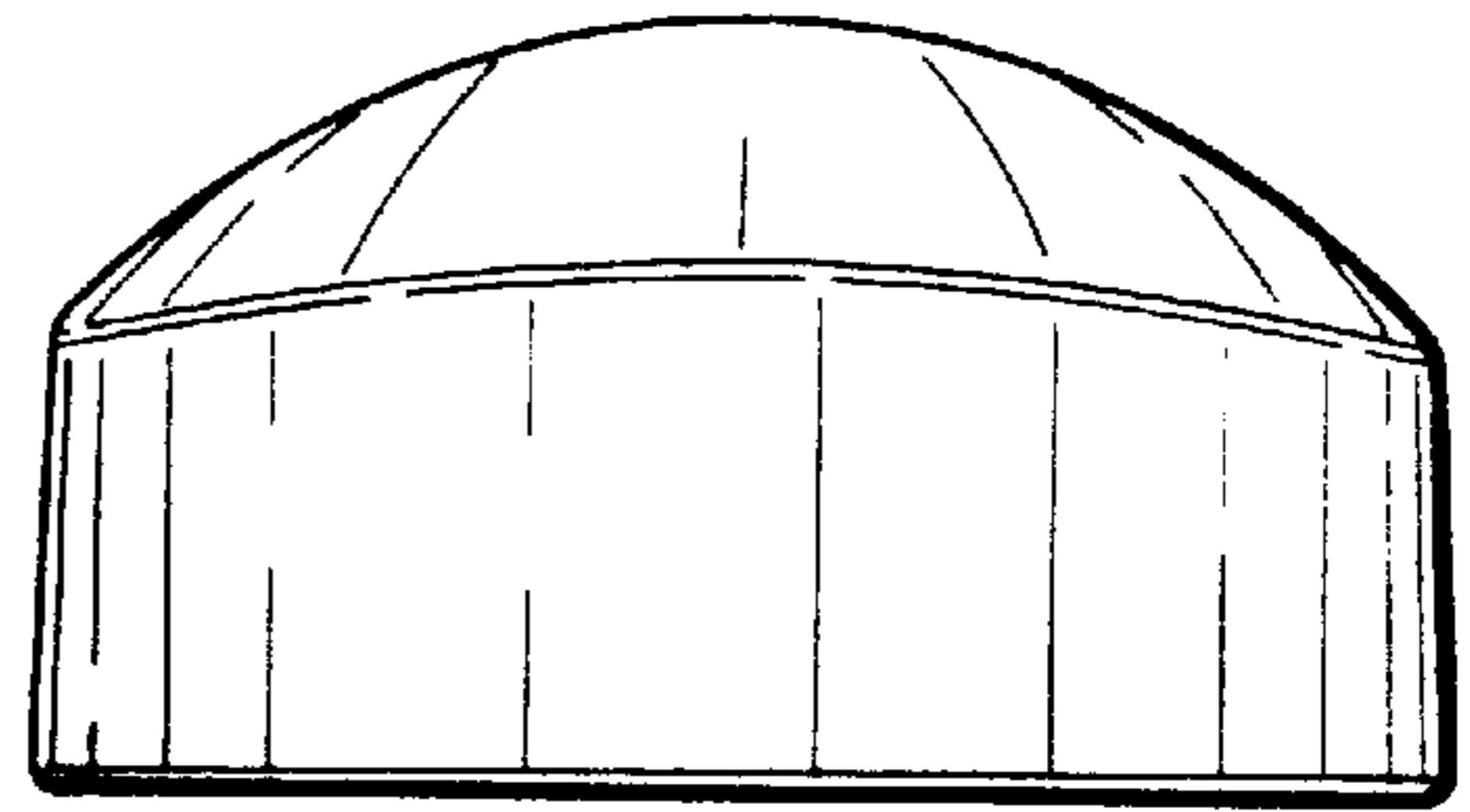


FIG. 3

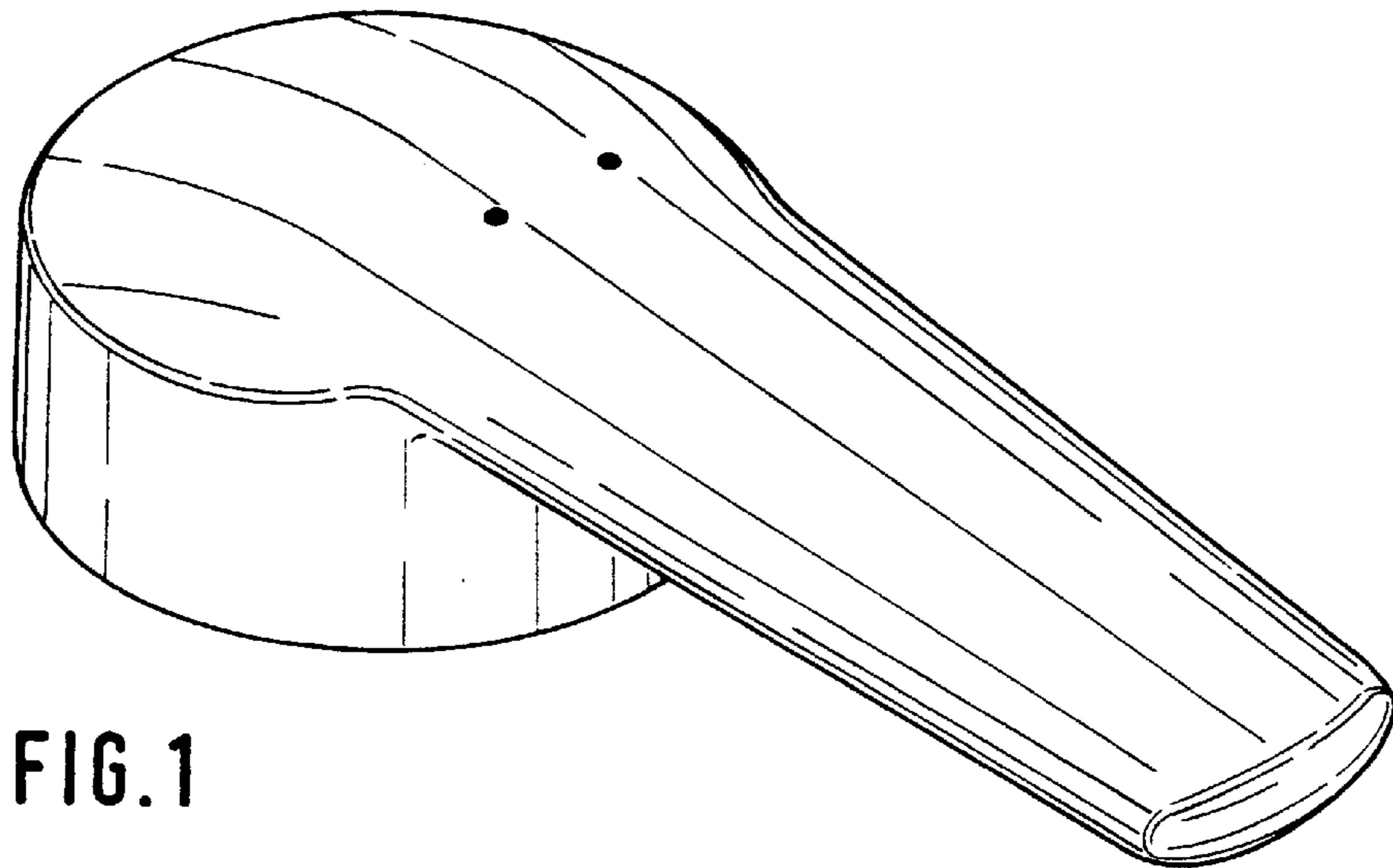


FIG. 1

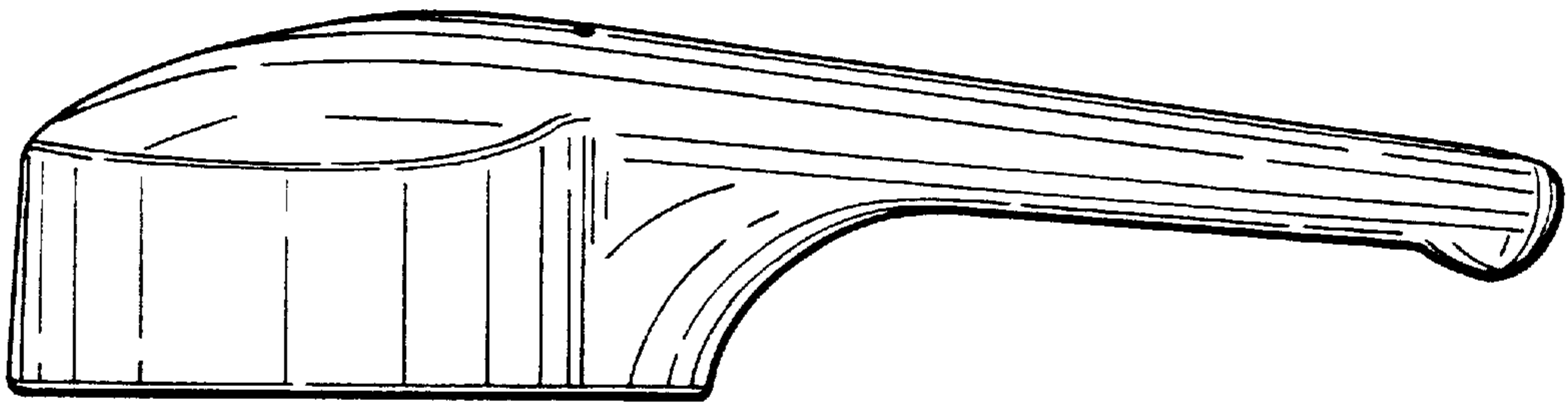


FIG. 4

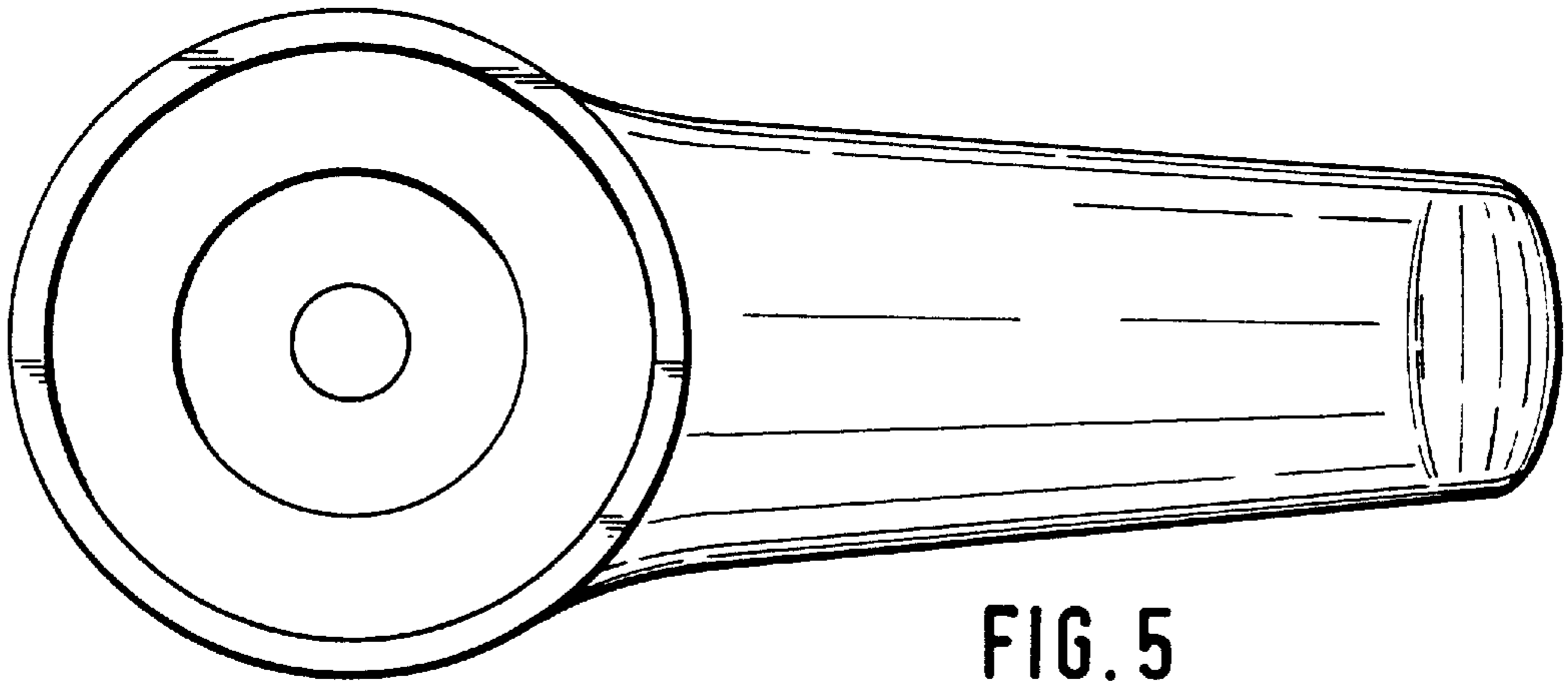


FIG. 5

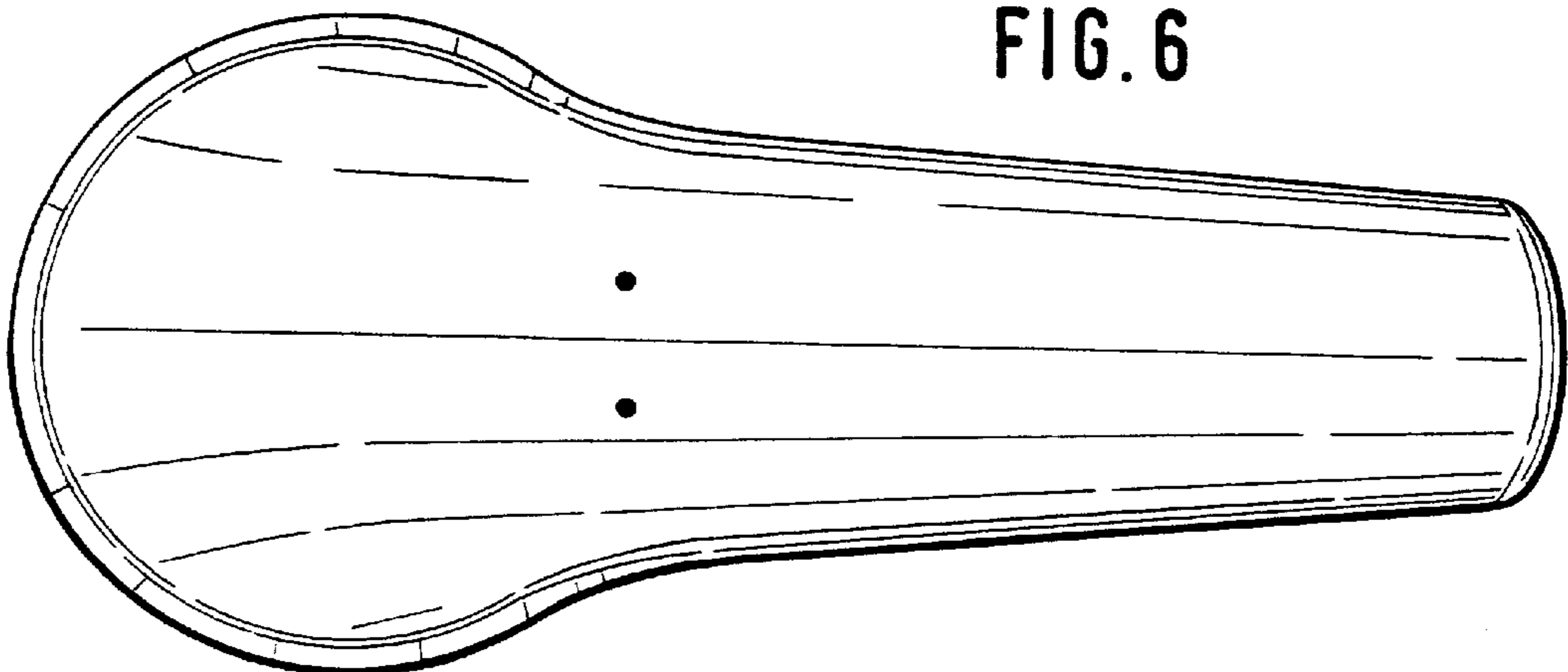


FIG. 6