



US00D410736S

United States Patent [19] Slothower

[11] **Patent Number: Des. 410,736**
[45] **Date of Patent: ** Jun. 8, 1999**

[54] **PLUMBING FIXTURE HANDLE**

D. 358,870 5/1995 Formgren D23/250
D. 378,775 4/1997 Kergoet D23/250

[75] Inventor: **Erich D. Slothower**, Sheboygan, Wis.

OTHER PUBLICATIONS

[73] Assignee: **Kohler Co.**, Kohler, Wis.

Undated Kroin catalog ad showing faucet handles, admitted prior art.

[**] Term: **14 Years**

Undated Eljer catalog ad, p. 7.16, showing a model 717-1540 faucet handle, admitted prior art.

[21] Appl. No.: **29/091,369**

Primary Examiner—Louis S. Zarfes
Assistant Examiner—Eric Watterson
Attorney, Agent, or Firm—Quarles & Brady LLP

[22] Filed: **Jul. 28, 1998**

Related U.S. Application Data

[57] CLAIM

[62] Division of application No. 29/049,417, Jan. 24, 1996.

The ornamental design for a plumbing fixture handle, as shown and described.

[51] **LOC (6) Cl.** **23-01**

[52] **U.S. Cl.** **D23/250**

[58] **Field of Search** D23/238-243,
D23/250-257; D8/300-308; 16/110 R,
114 R; 137/801; 4/675-678

DESCRIPTION

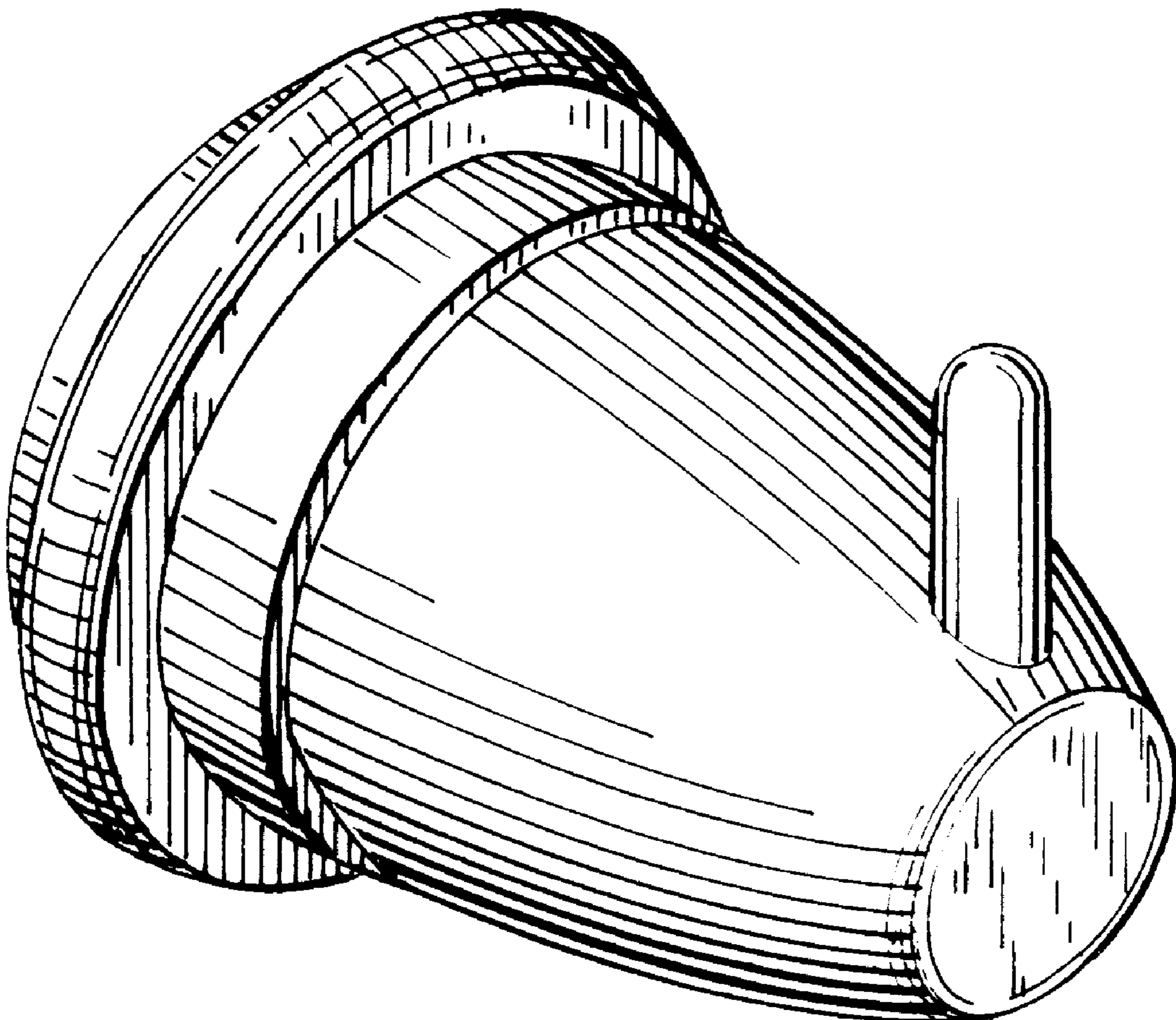
[56] References Cited

U.S. PATENT DOCUMENTS

D. 276,064 10/1984 Stairs, Jr. D23/28
D. 304,071 10/1989 Haug et al. D23/250
D. 323,020 1/1992 Kolada D23/250
D. 324,807 3/1992 Reid et al. D23/310

FIG. 1 is a left, top, front perspective view of a plumbing fixture handle embodying my new design; FIG. 2 is a left side elevational view thereof, the right side elevational view being a mirror image of the left side shown; FIG. 3 is a front elevational view thereof; FIG. 4 is a top plan view thereof; and, FIG. 5 is a bottom plan view thereof.

1 Claim, 2 Drawing Sheets



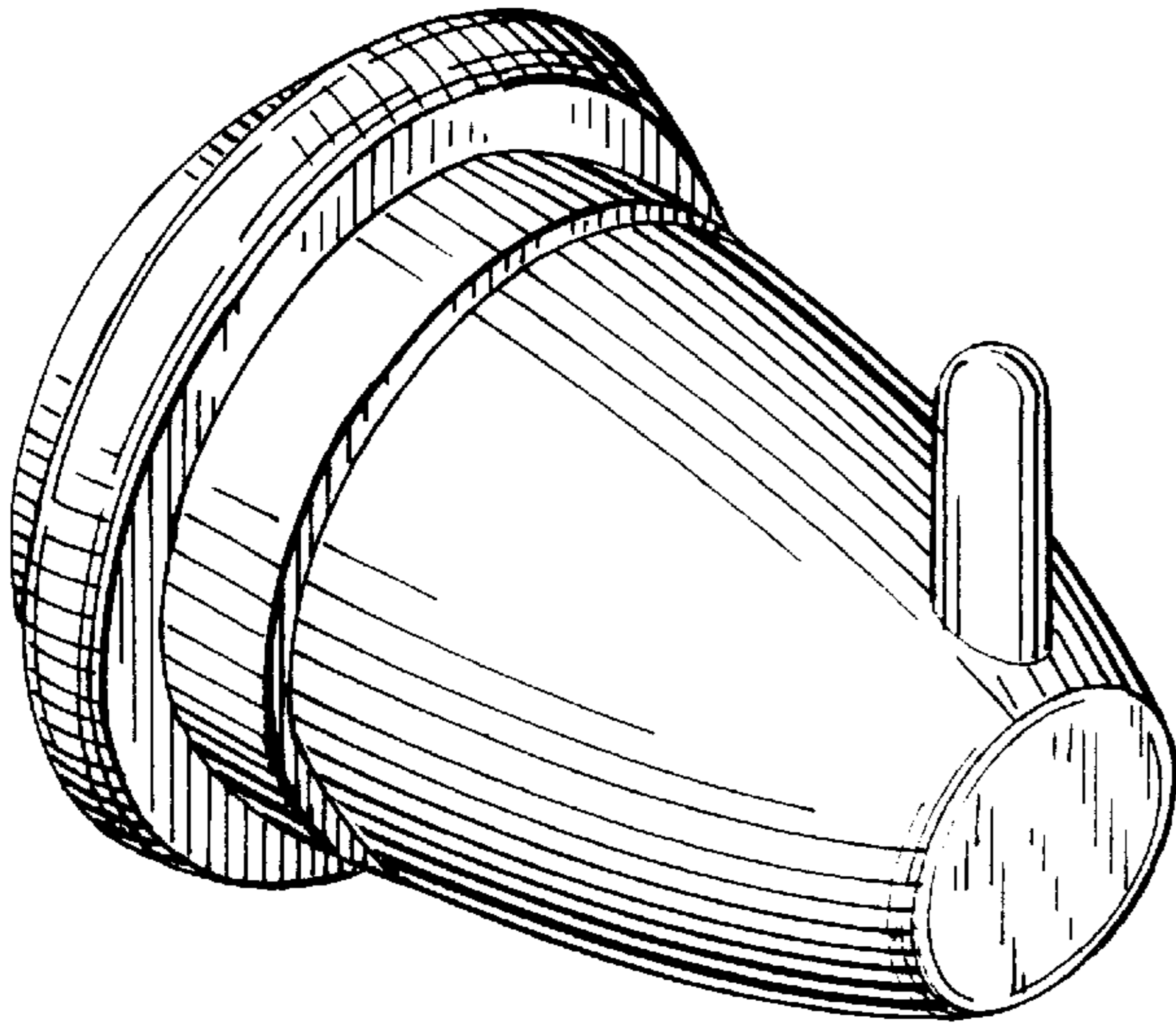


FIG. 1

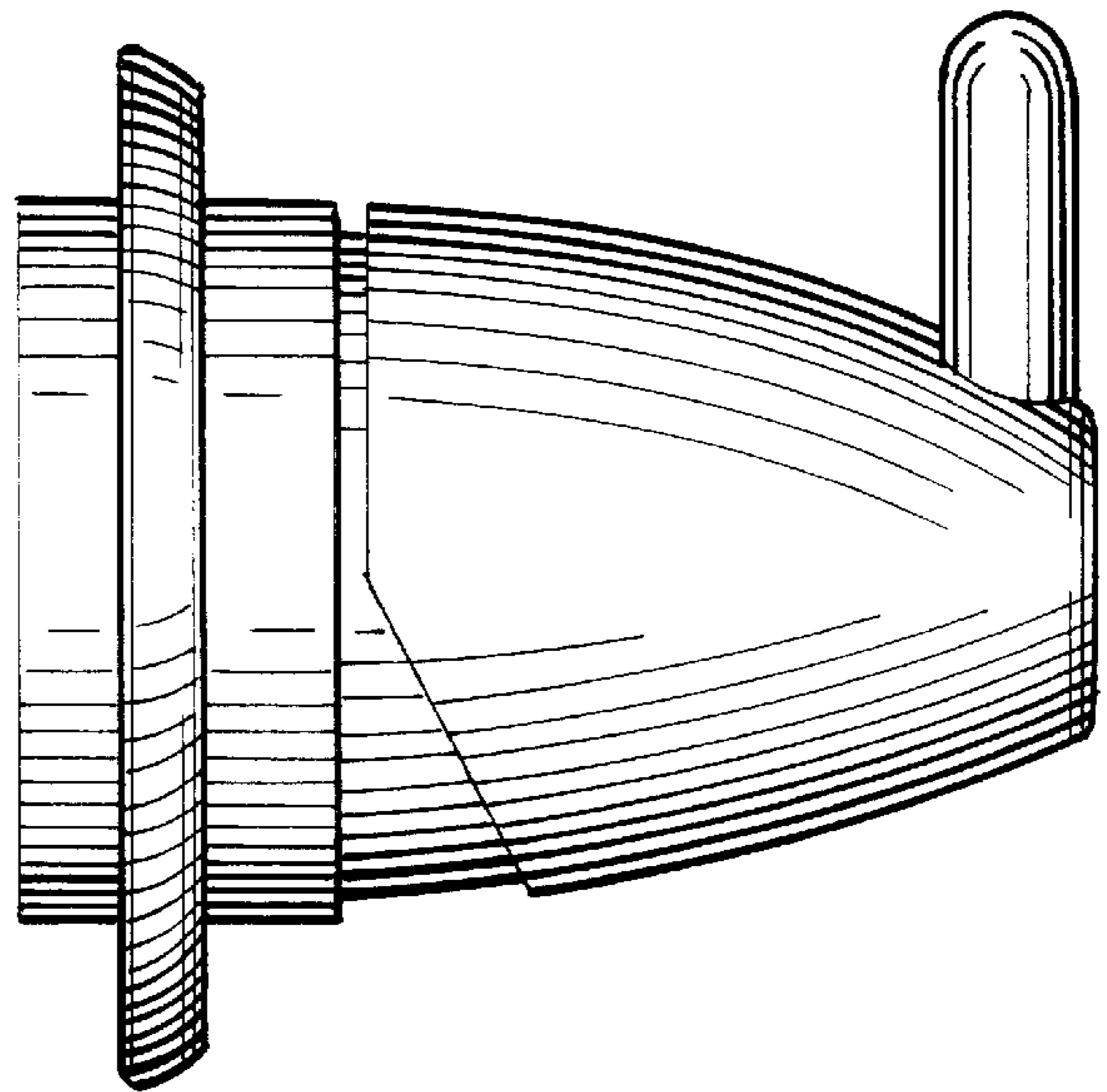


FIG. 2

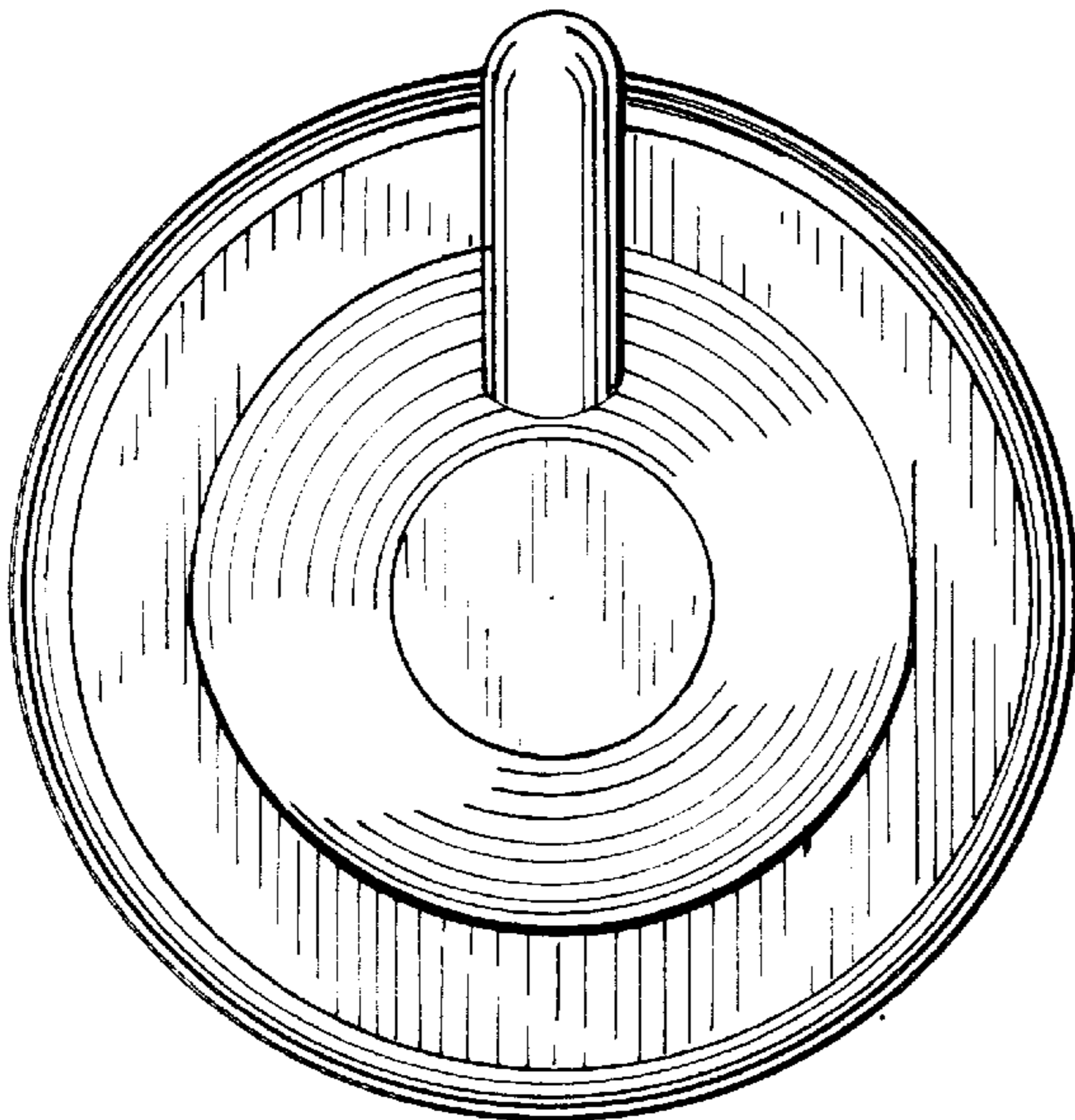


FIG. 3

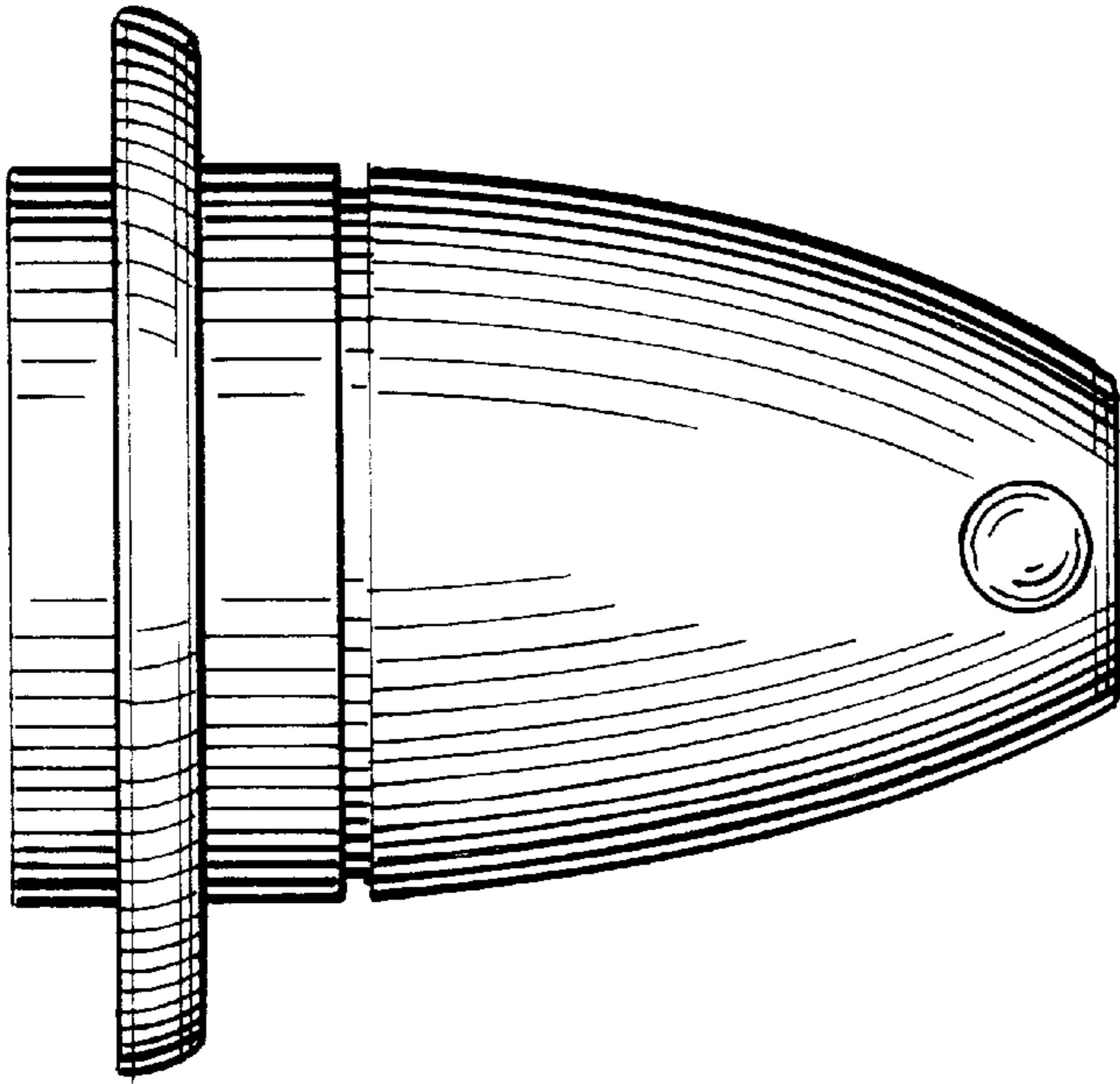


FIG. 4

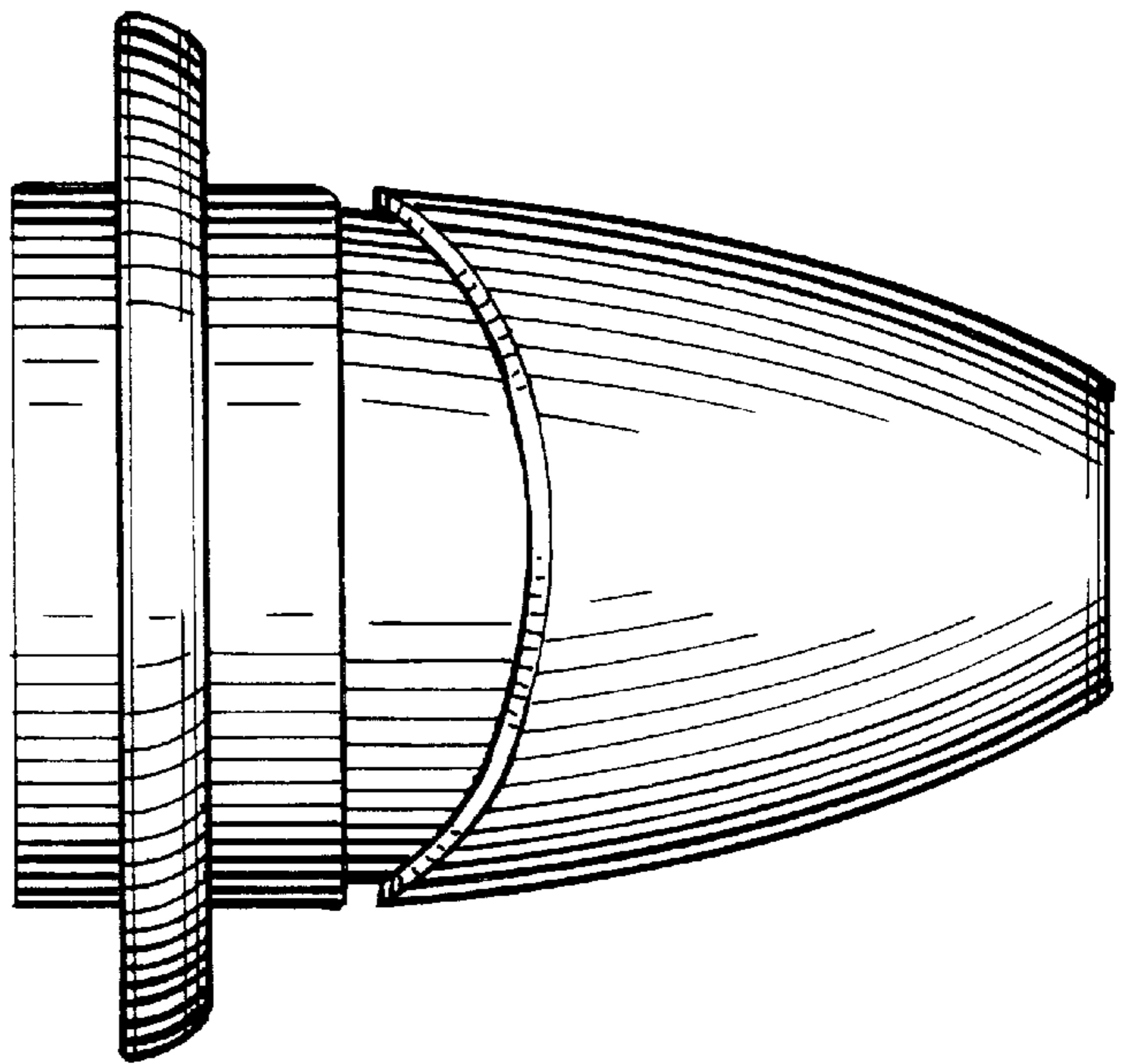


FIG. 5