



US00D410735S

# United States Patent [19] Gottwald

[11] **Patent Number: Des. 410,735**  
[45] **Date of Patent: \*\* Jun. 8, 1999**

[54] **SINK FAUCET**

[75] Inventor: **Adolf Gottwald**, Iserlohn, Germany

[73] Assignee: **Friedrich Grohe AG**, Hemer, Germany

[\*\*] Term: **14 Years**

[21] Appl. No.: **29/091,376**

[22] Filed: **Jul. 29, 1998**

[30] **Foreign Application Priority Data**

Feb. 19, 1998 [DE] Germany ..... M 98 01 732

[51] **LOC (6) Cl.** ..... **23-01**

[52] **U.S. Cl.** ..... **D23/238**

[58] **Field of Search** ..... D23/238-243,  
D23/250-257; D8/300-310; 4/675-678;  
137/801

[56] **References Cited**

**U.S. PATENT DOCUMENTS**

D. 301,162 5/1989 Oberdorfer ..... D23/238

D. 355,706 2/1995 Chretien ..... D23/238  
D. 367,919 3/1996 Lobermeier ..... D23/238  
D. 382,043 8/1997 Wang ..... D23/238  
D. 390,918 2/1998 Lobermeier ..... D23/238

*Primary Examiner*—Louis S. Zarfes  
*Assistant Examiner*—Eric Watterson  
*Attorney, Agent, or Firm*—Herbert Dubno

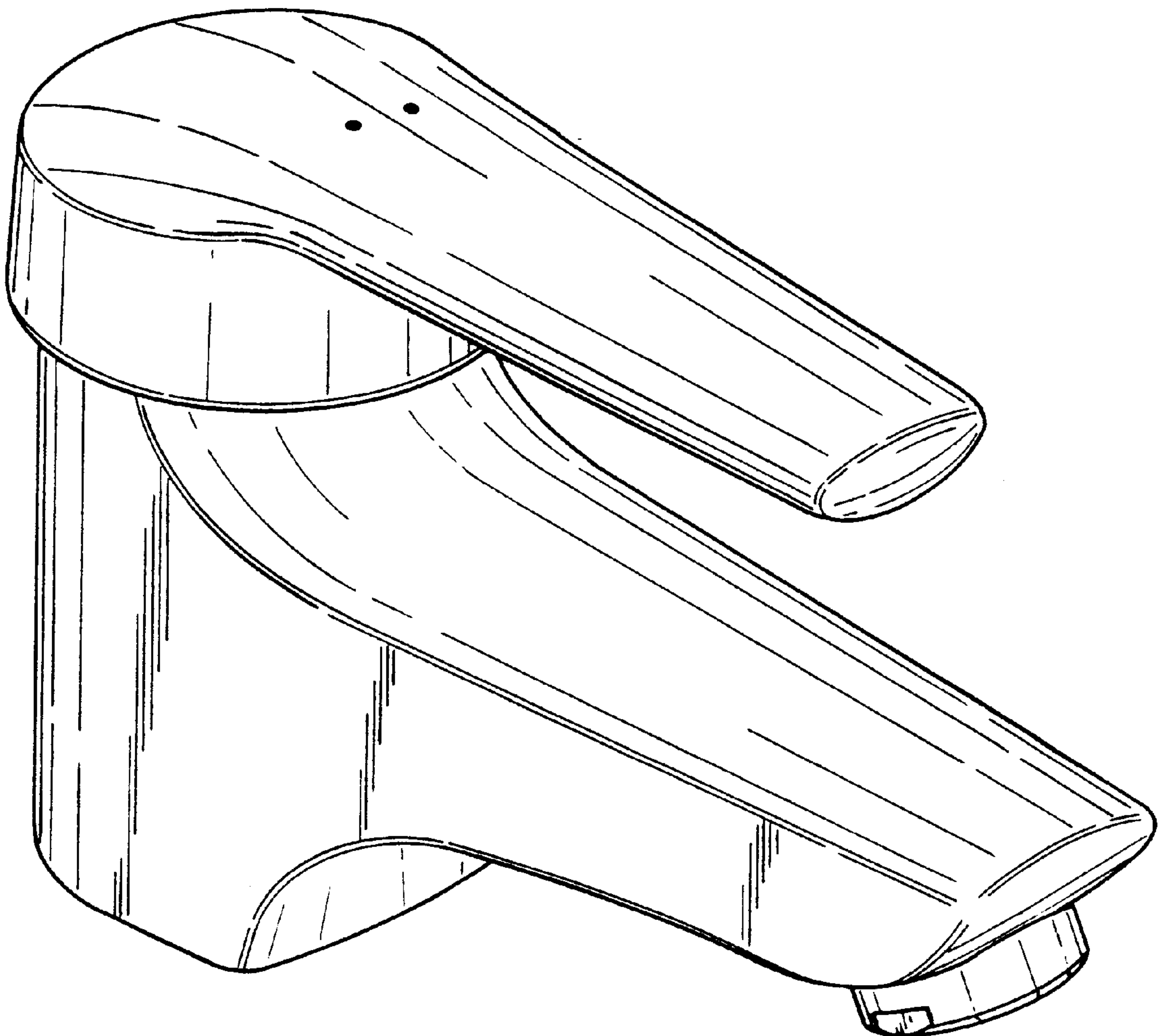
[57] **CLAIM**

The ornamental design for a sink faucet, as shown and described.

**DESCRIPTION**

FIG. 1 is a top, front, left-side perspective view of a sink faucet showing my new design;  
FIG. 2 is a top view thereof;  
FIG. 3 is a left side elevational view thereof, the right side elevational view being mirror symmetrical thereto;  
FIG. 4 is a bottom view thereof;  
FIG. 5 is a front view thereof; and,  
FIG. 6 is a rear view thereof.

**1 Claim, 3 Drawing Sheets**



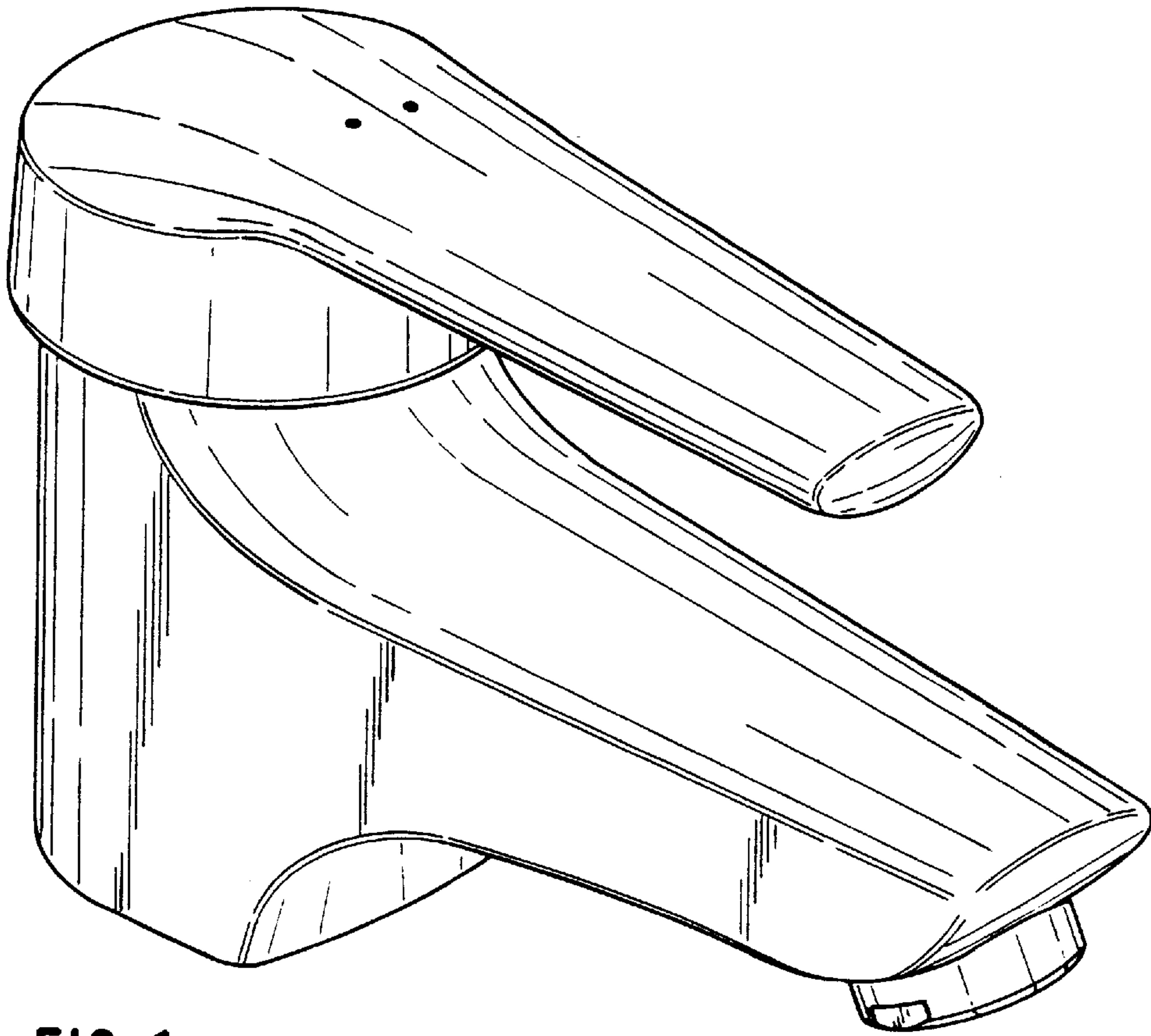
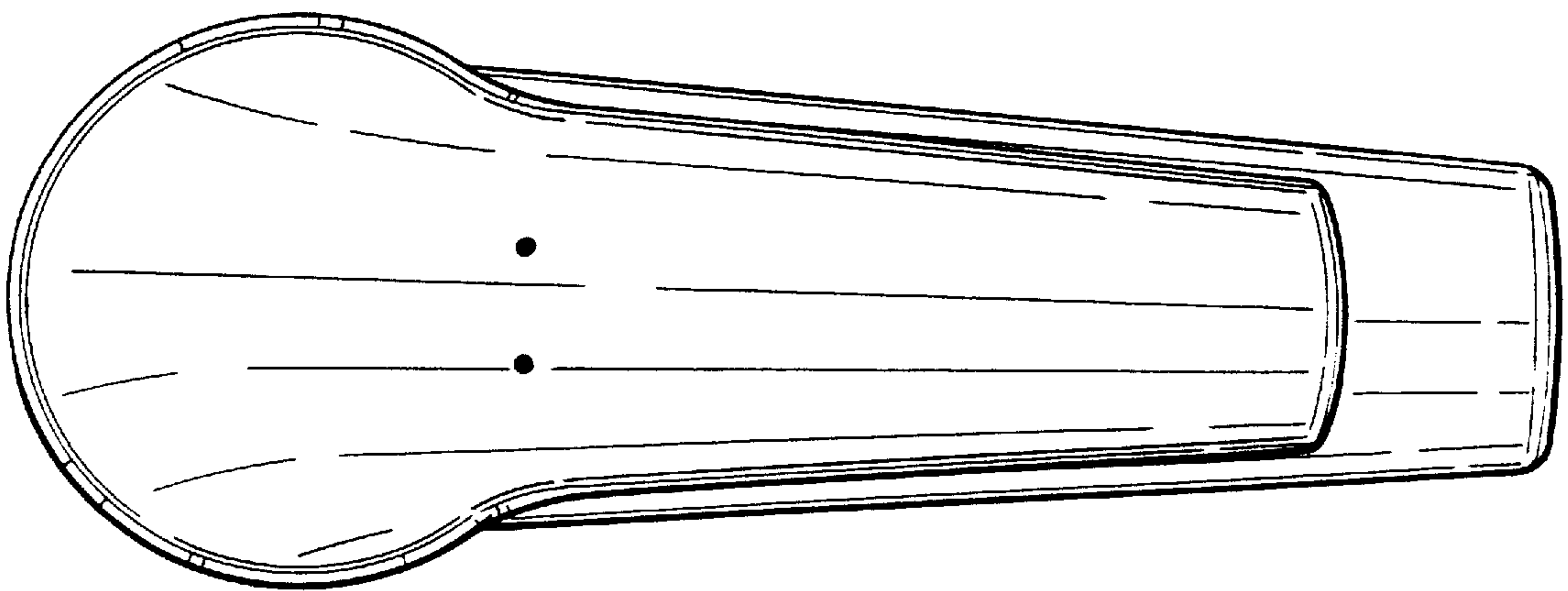


FIG. 1

FIG. 2



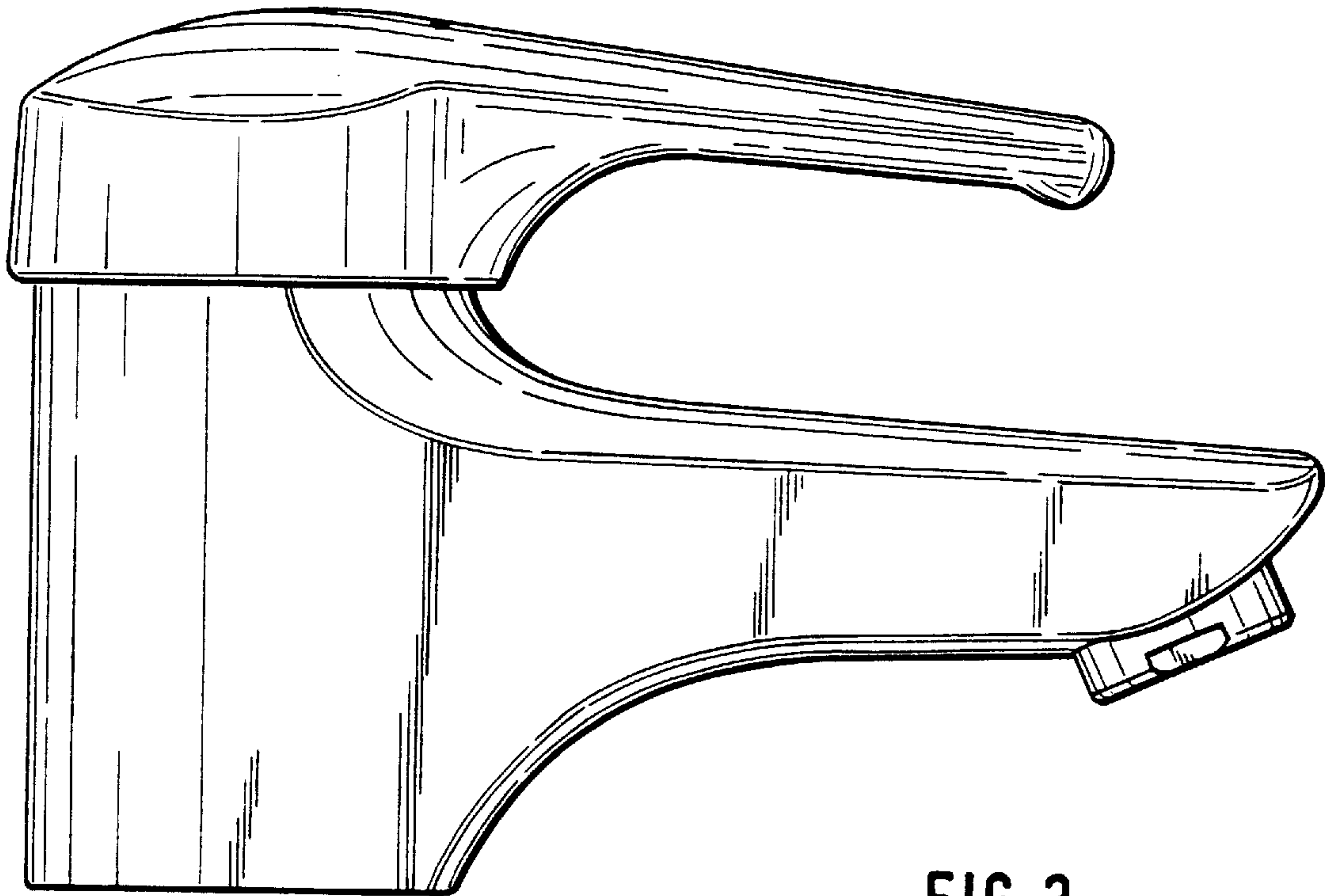


FIG. 3

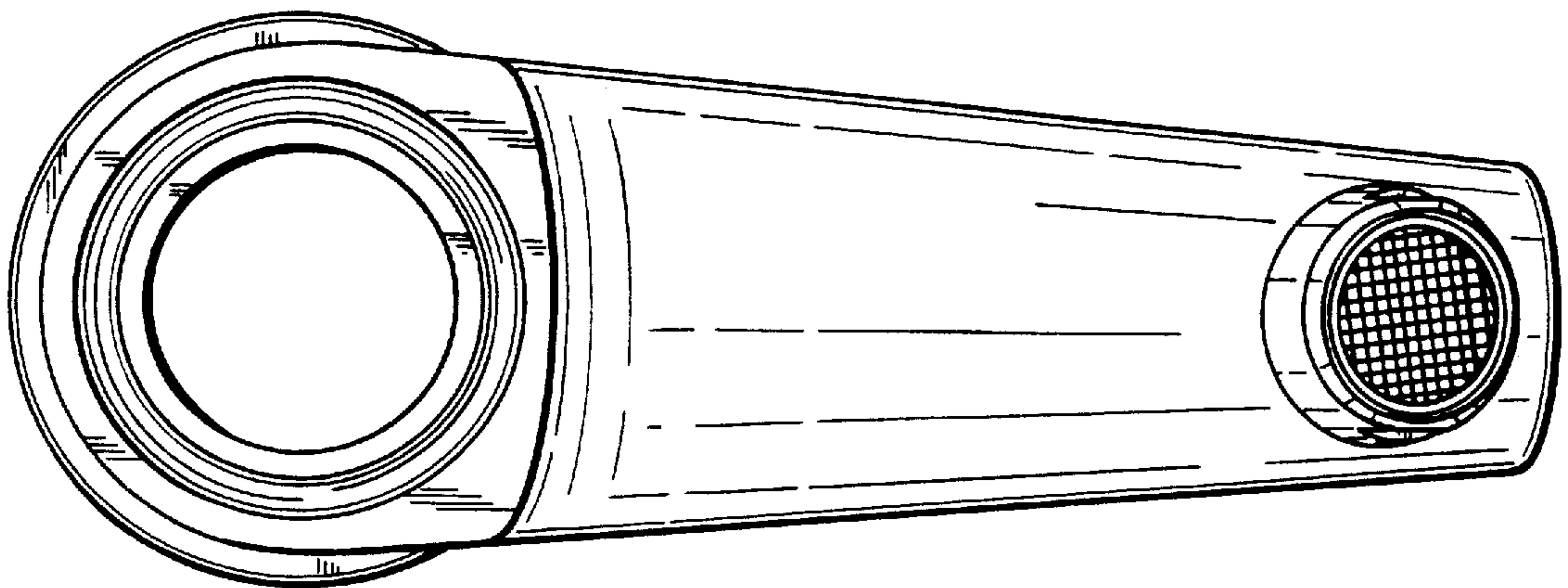


FIG. 4

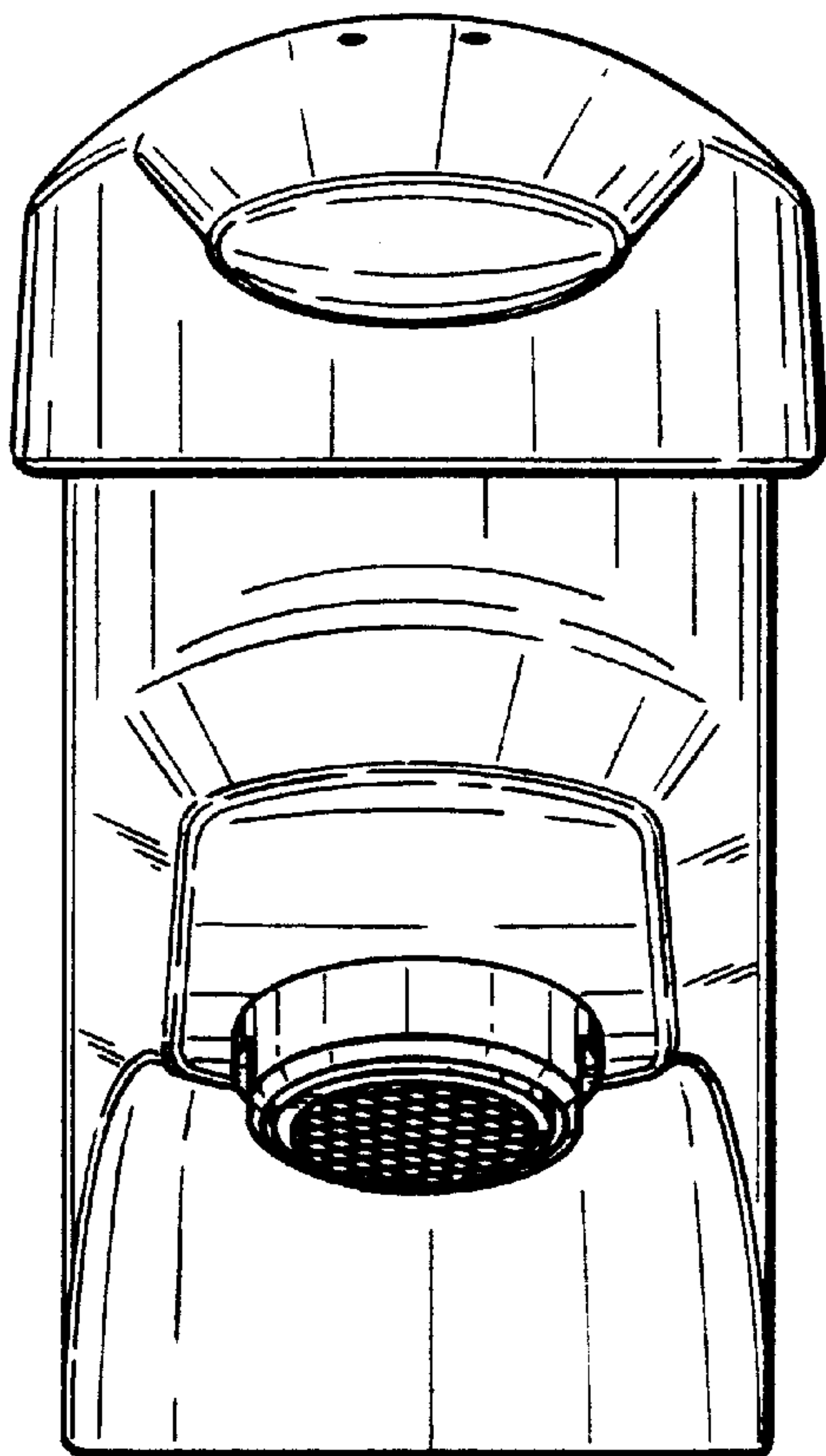


FIG. 5

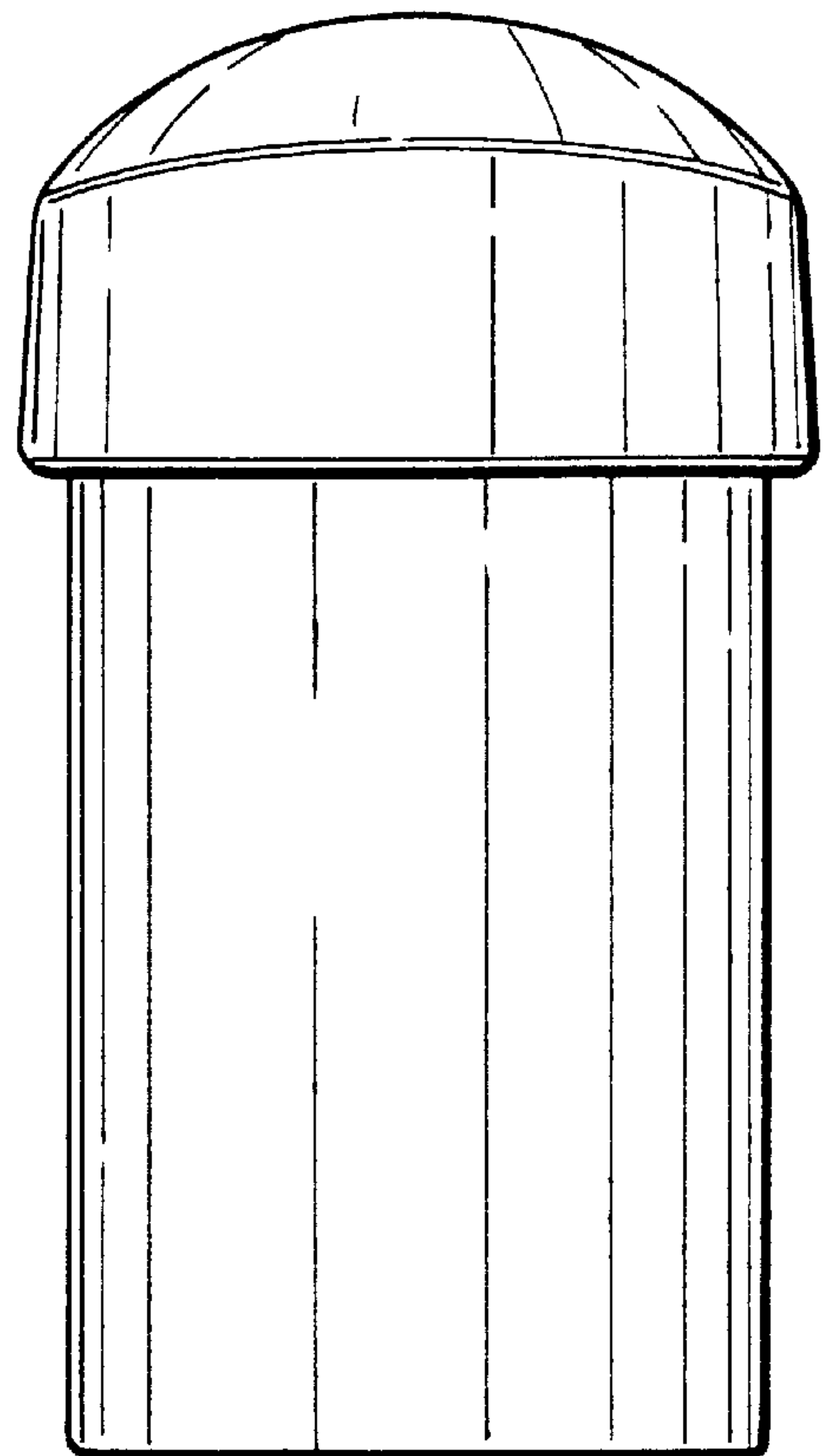


FIG. 6