



US00D410732S

United States Patent [19] Gottwald

[11] **Patent Number: Des. 410,732**
[45] **Date of Patent: ** Jun. 8, 1999**

[54] **SPRAY HEAD**

D. 295,889 5/1988 Haug et al. D23/229
D. 325,770 4/1992 Haug et al. D23/213
4,346,844 8/1982 Harmony 239/460

[75] Inventor: **Adolf Gottwald**, Iserlohn, Germany

[73] Assignee: **Friedrich Grohe AG**, Hemer, Germany

[**] Term: **14 Years**

Primary Examiner—Alan P. Douglas
Assistant Examiner—Robin V. Taylor
Attorney, Agent, or Firm—Herbert Dubno

[21] Appl. No.: **29/089,849**

[57] **CLAIM**

[22] Filed: **Jun. 24, 1998**

The ornamental design for a spray head, as shown and described.

[30] **Foreign Application Priority Data**

Feb. 2, 1998 [DE] Germany 98 00 877

DESCRIPTION

[51] **LOC (6) Cl.** **23-01**

FIG. 1 is a front, left-side perspective view of a spray head showing my new design;

[52] **U.S. Cl.** **D23/229**

FIG. 2 is a front view thereof;

[58] **Field of Search** D23/213, 229,
D23/230; 239/414, 415, 460-462

FIG. 3 is a bottom view thereof;

FIG. 4 is a right-side elevational view thereof, the left side view being mirror symmetrical;

FIG. 5 is a top view thereof; and,

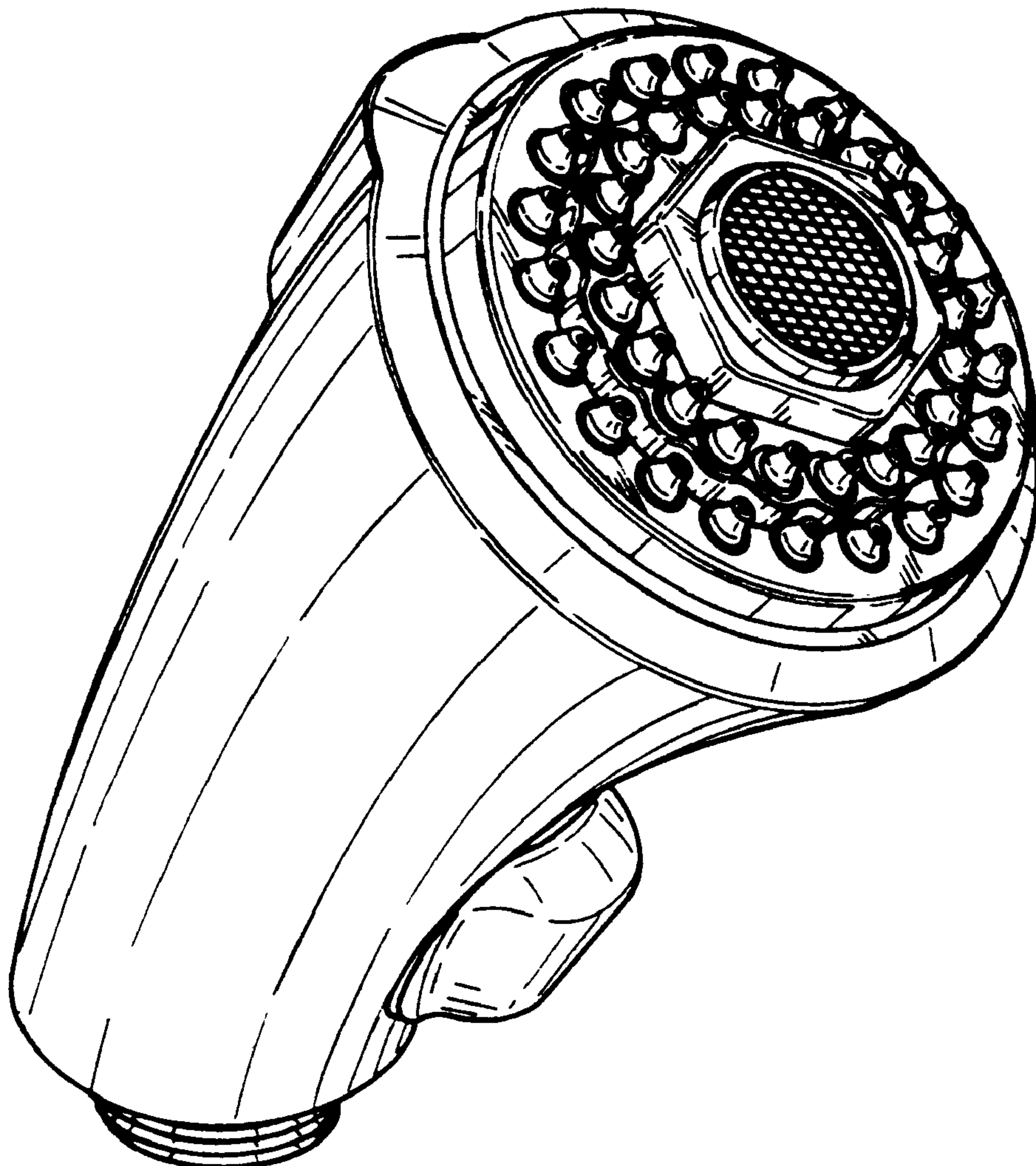
FIG. 6 is a rear view thereof.

[56] **References Cited**

U.S. PATENT DOCUMENTS

D. 282,198 1/1986 Shames et al. D23/229

1 Claim, 3 Drawing Sheets



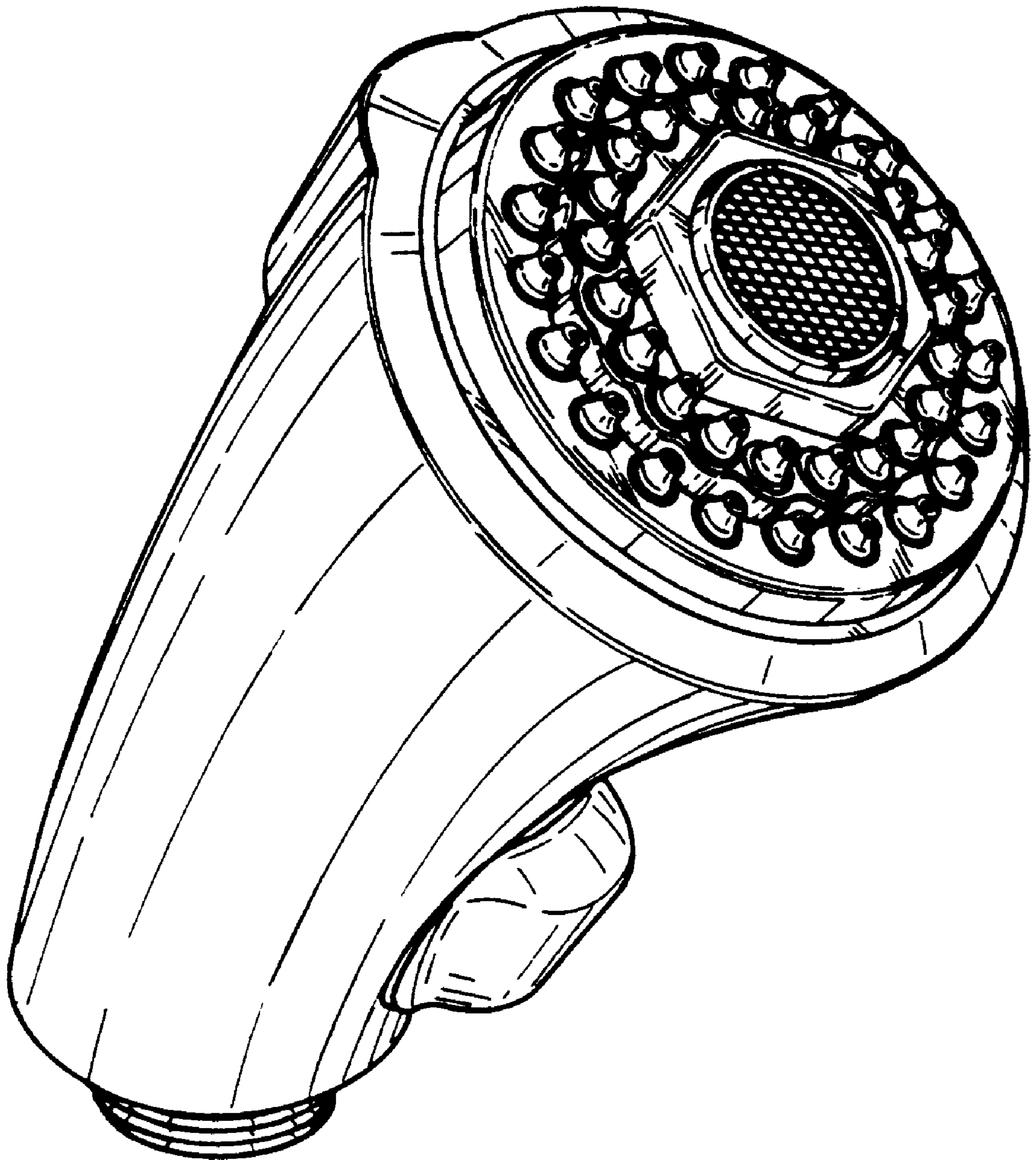


FIG. 1

FIG. 2

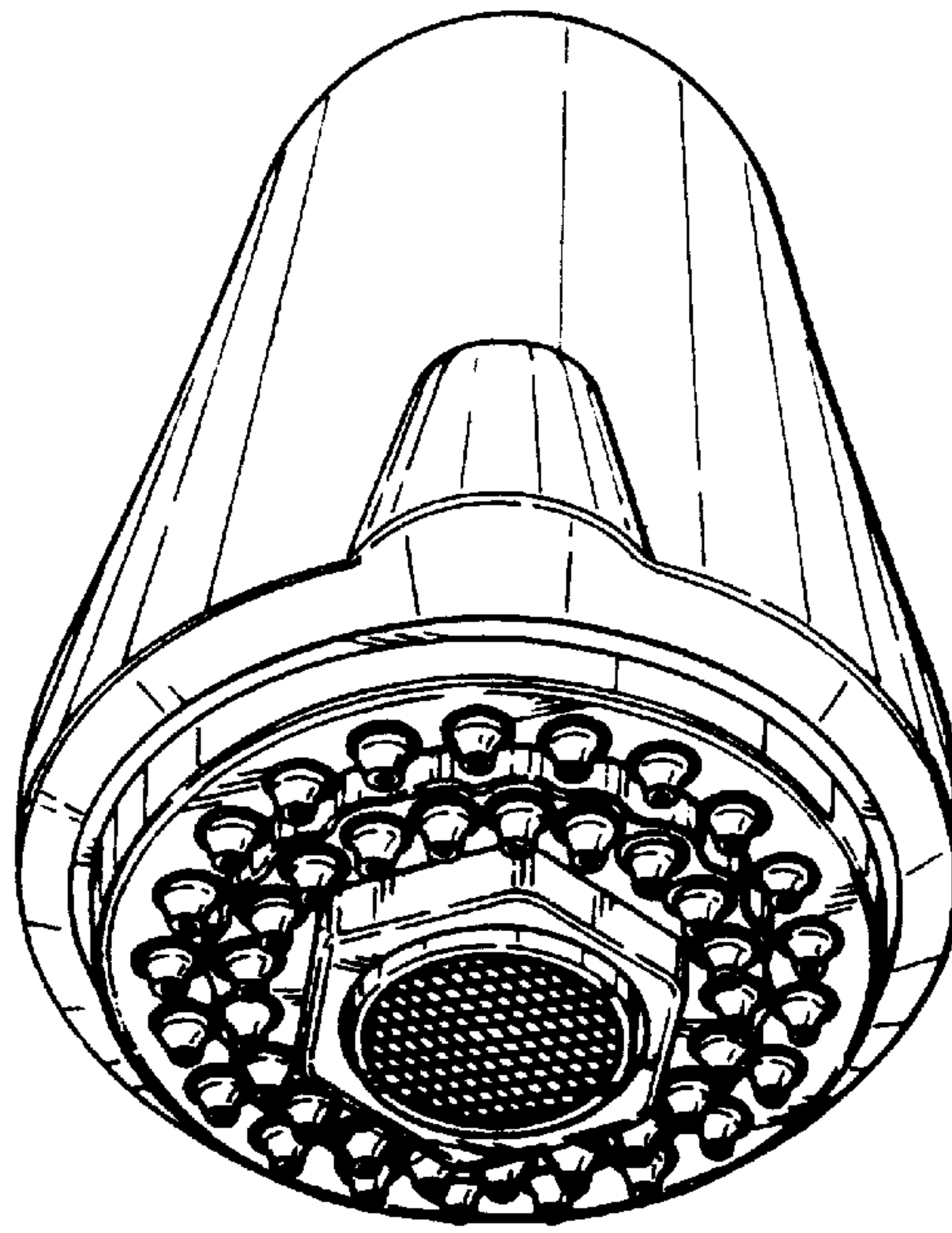
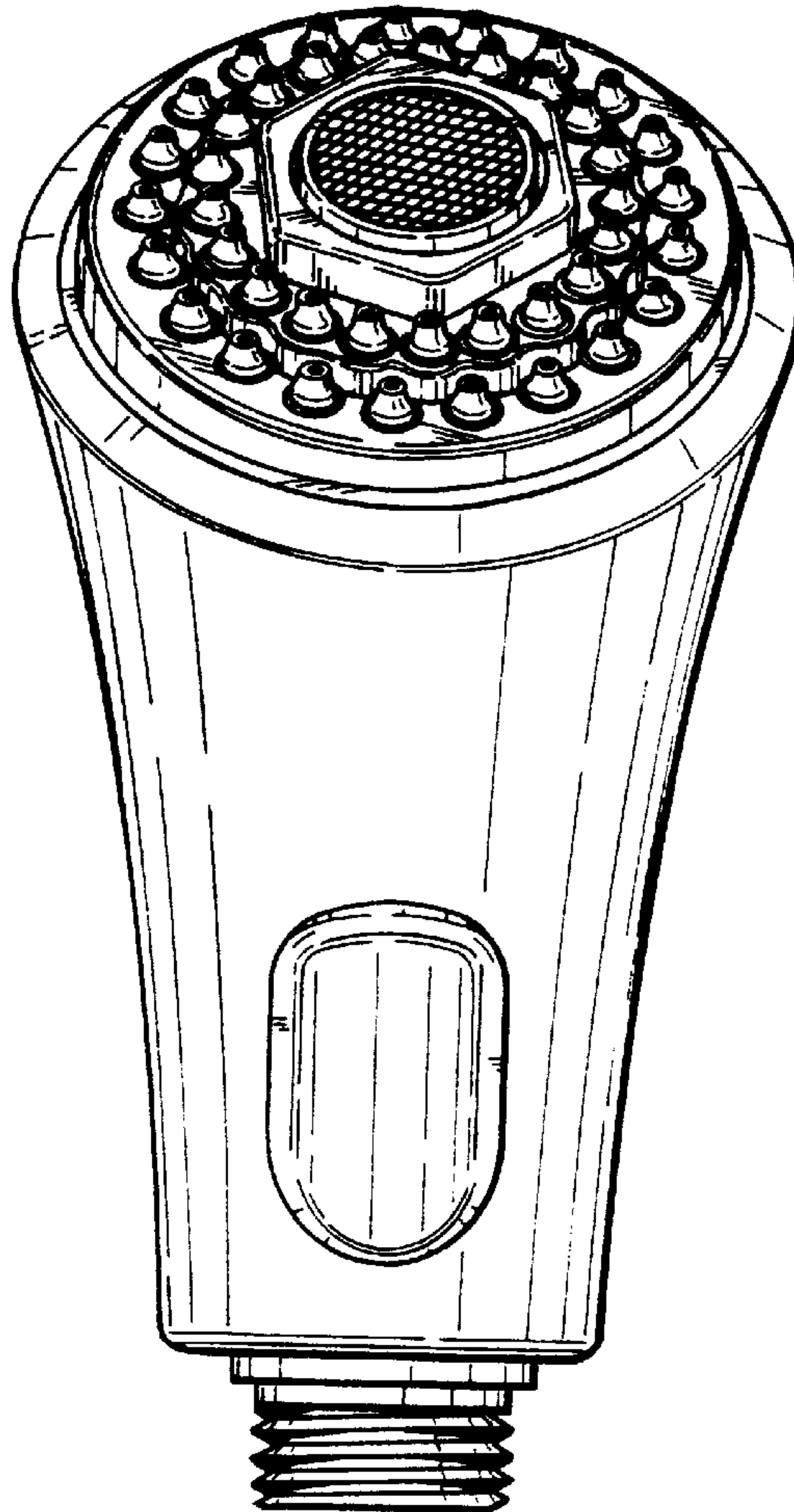


FIG. 3



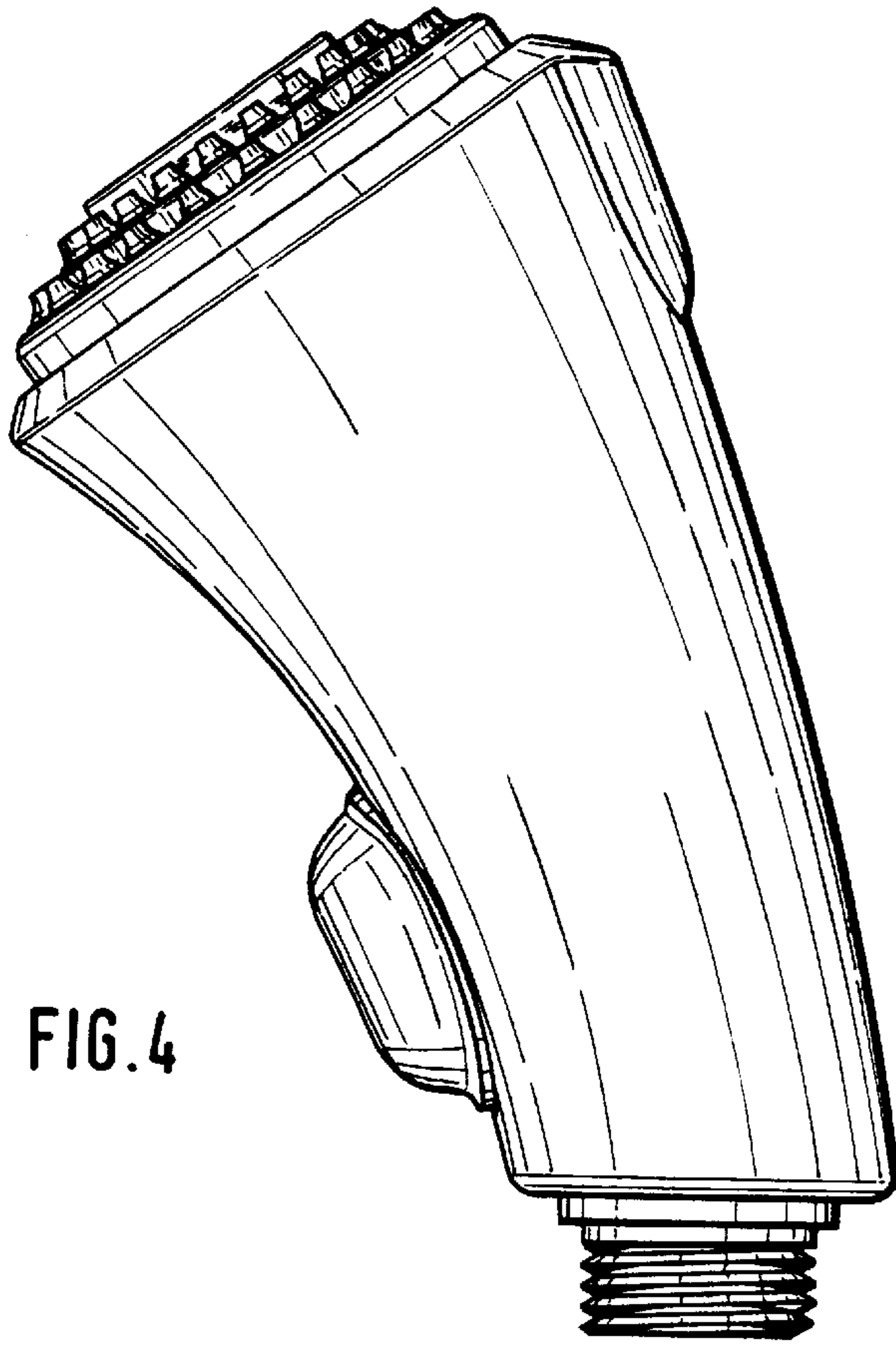


FIG. 4

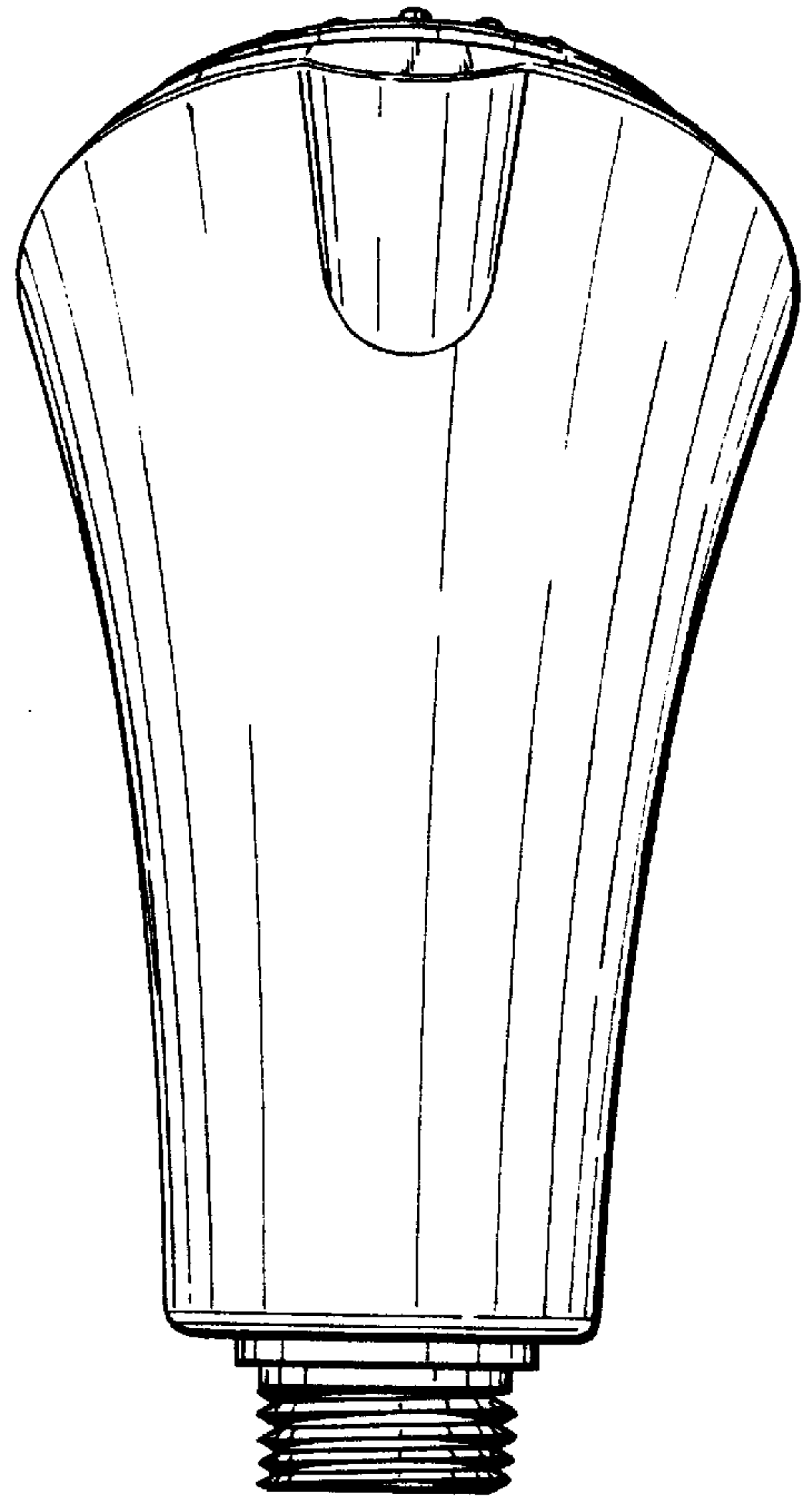


FIG. 5

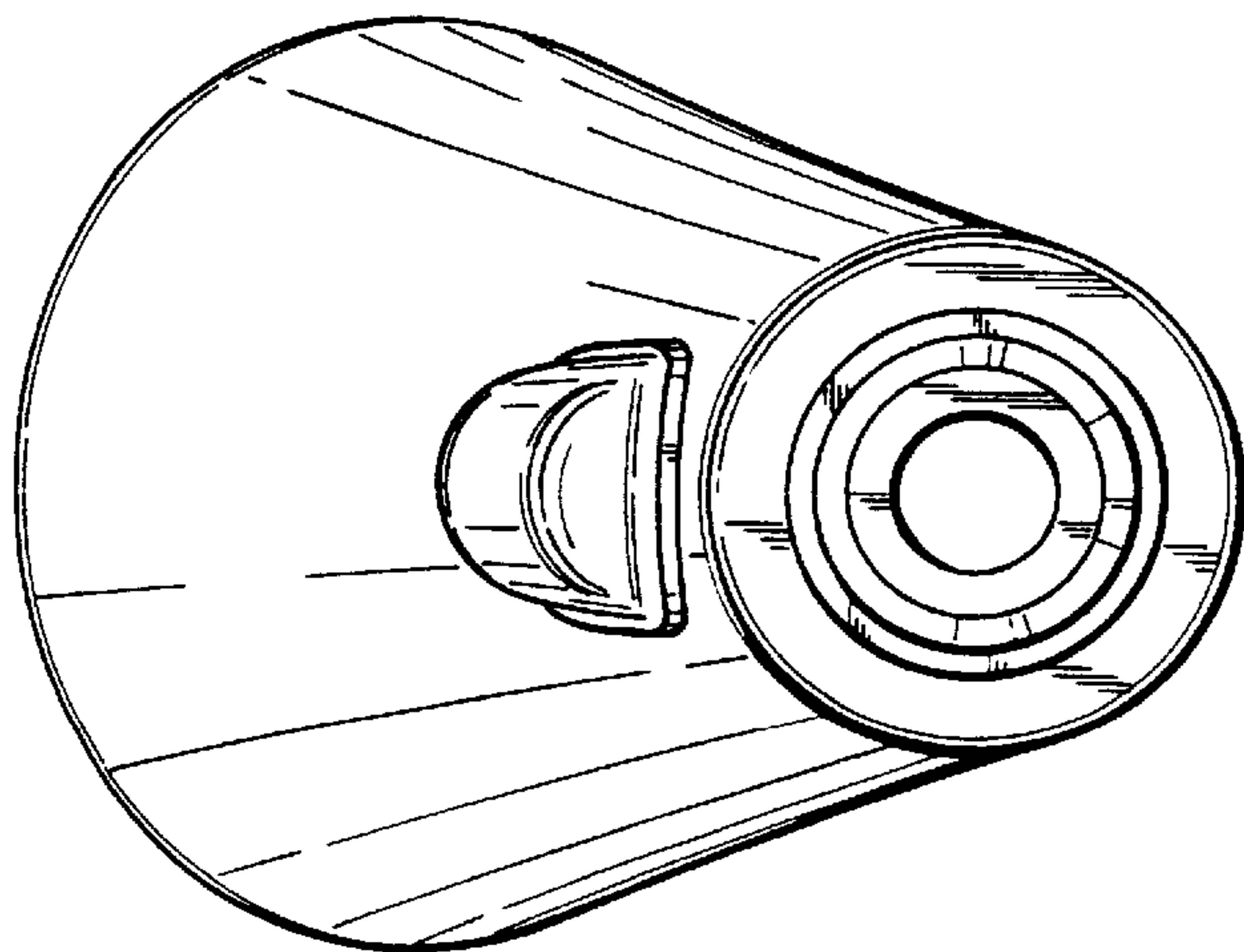


FIG. 6