



US00D410731S

United States Patent [19]

[11] Patent Number: **Des. 410,731**

Bowman et al.

[45] Date of Patent: **** Jun. 8, 1999**

[54] **SPRINKLER HEAD GUARD**

3,015,448	1/1962	Hurless	239/288
3,018,057	1/1962	Anderson	239/288
5,211,338	5/1993	Leite et al.	239/288

[76] Inventors: **Kenneth Wayne Bowman; Ronnie Buggs**, both of 650 Stoneybrook Dr., Apt. 241, Carrona Hills, Calif. 91719

Primary Examiner—Alan P. Douglas
Assistant Examiner—Robin V. Taylor

[**] Term: **14 Years**

[57] **CLAIM**

[21] Appl. No.: **29/081,470**

The ornamental design for a sprinkler head guard, as shown and described.

[22] Filed: **Jan. 2, 1998**

DESCRIPTION

[51] **LOC (6) Cl.** **23-01**

FIG. 1 is a front elevational view of the sprinkler head guard showing our new design;
FIG. 2 is a rear elevational view thereof;
FIG. 3 is a right side elevational view thereof;
FIG. 4 is a left side elevational view thereof;
FIG. 5 is a top plan view thereof; and,
FIG. 6 is a bottom plan view thereof;
FIG. 7 is an isometric view thereof;

[52] **U.S. Cl.** **D23/227**

[58] **Field of Search** D23/213, 221,
D23/227; 239/288, 288.3, 288.5

[56] **References Cited**

U.S. PATENT DOCUMENTS

D. 333,507	2/1993	Colo'n	D23/213
D. 356,361	3/1995	Feldt	D23/227
D. 356,628	3/1995	Brady	D23/227

1 Claim, 3 Drawing Sheets

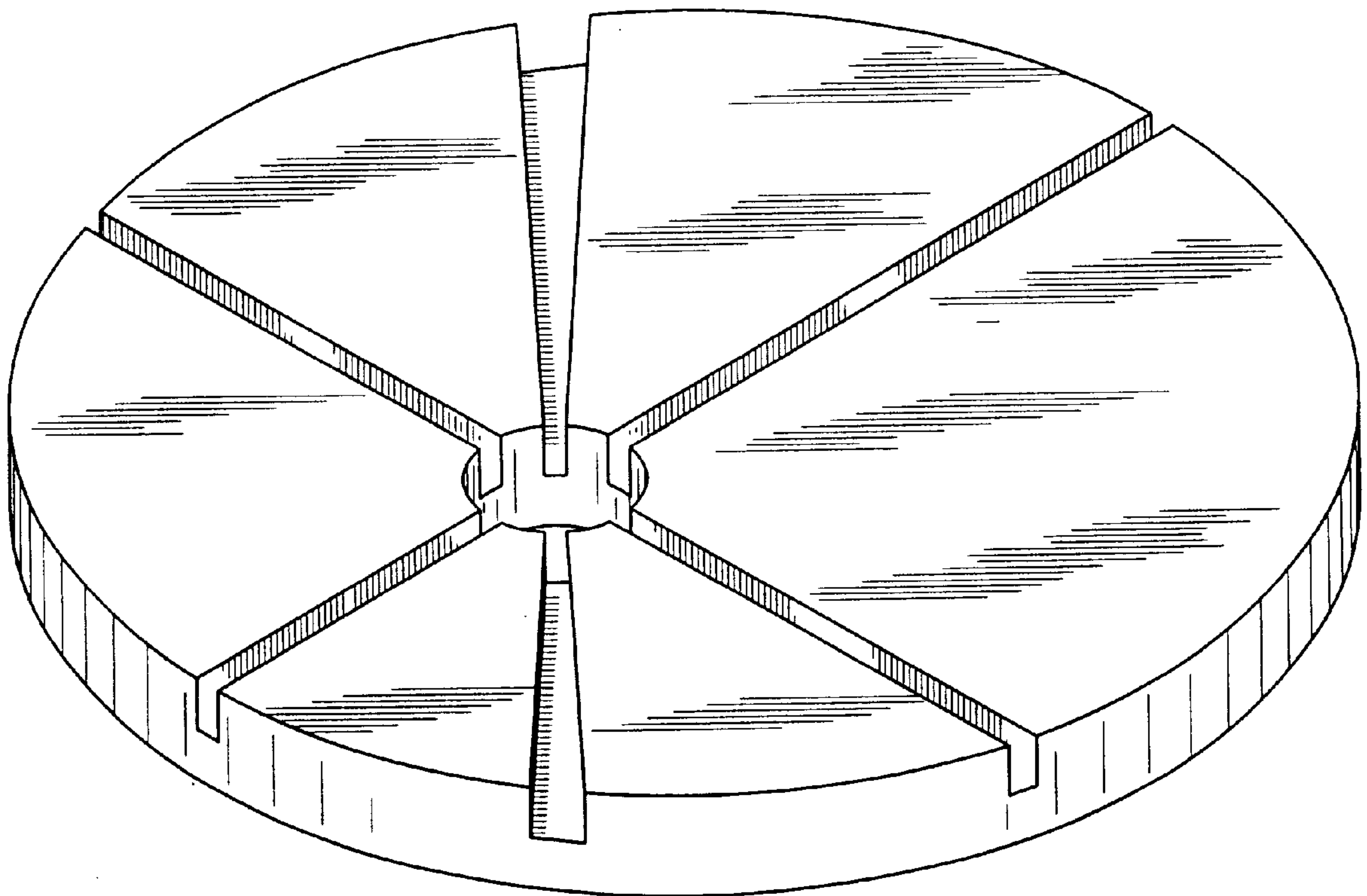


FIG. 1



FIG. 2



FIG. 3



FIG. 4



FIG. 5

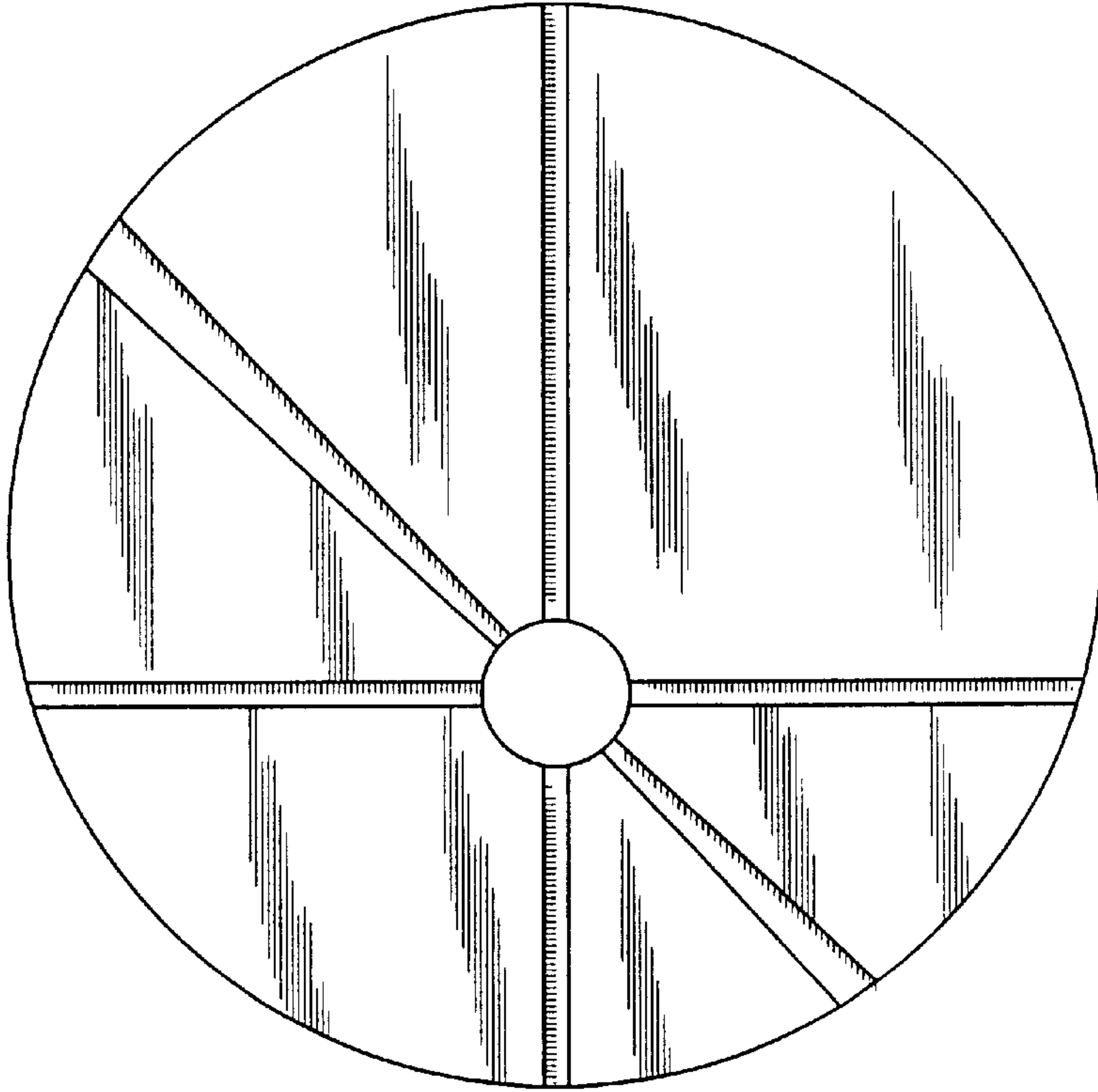


FIG. 6

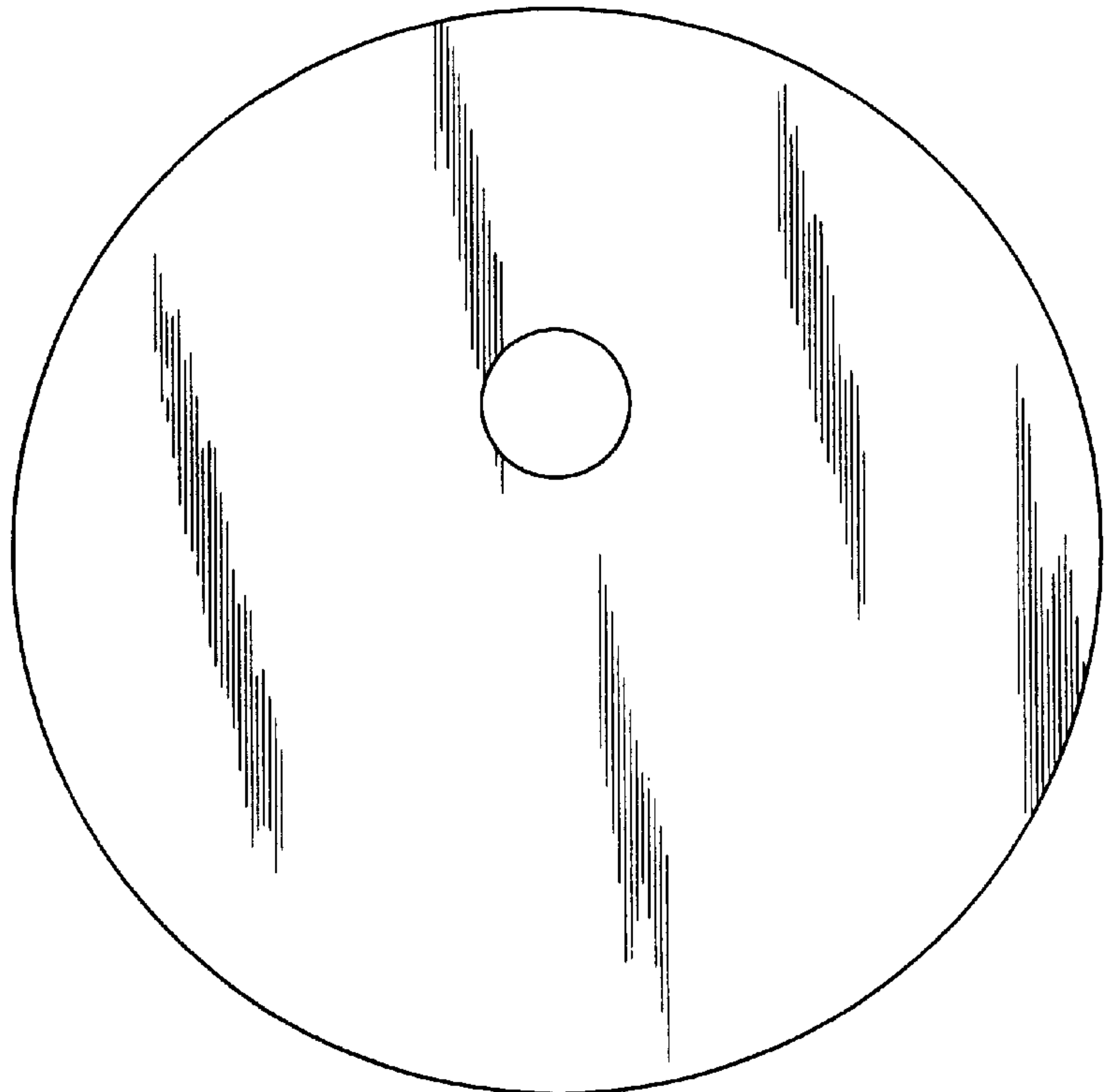


FIG. 7

