



US00D410729S

United States Patent [19] Fan

[11] **Patent Number: Des. 410,729**

[45] **Date of Patent: ** Jun. 8, 1999**

[54] **SHOWER HEAD**

D. 392,718 3/1998 Huen D23/223
D. 399,301 10/1998 Huen D23/223

[76] Inventor: **Chen-Yueh Fan**, Room F/23, 4th Fl.,
No. 5, Sec. 5, Hsinyi Rd., Taipei,
Taiwan

Primary Examiner—Alan P. Douglas
Assistant Examiner—Robin V. Taylor
Attorney, Agent, or Firm—William E. Pelton, Esq.

[**] Term: **14 Years**

[57] **CLAIM**

[21] Appl. No.: **29/092,416**

The ornamental design for the shower head, as shown.

[22] Filed: **Aug. 18, 1998**

DESCRIPTION

[51] **LOC (6) Cl.** **23-01**

FIG. 1 is a perspective view of a shower head showing my new design;

[52] **U.S. Cl.** **D23/223**

FIG. 2 is a front view thereof;

[58] **Field of Search** D23/213, 223,
D23/226; 239/394, 460, 461, 462

FIG. 3 is a rear view thereof;

FIG. 4 is a left side view thereof;

[56] **References Cited**

FIG. 5 is a right side view thereof;

U.S. PATENT DOCUMENTS

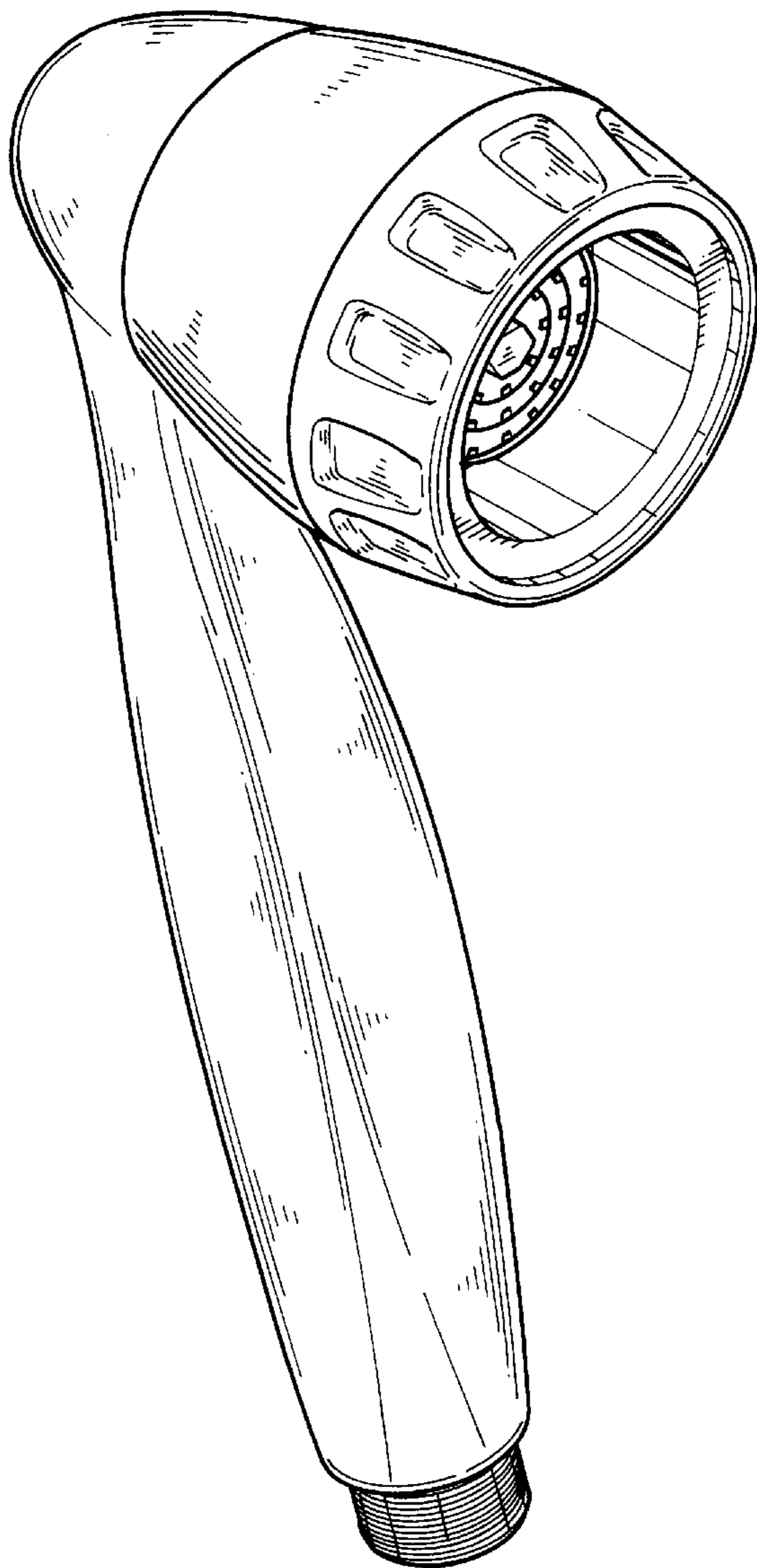
FIG. 6 is a top view thereof; and,

FIG. 7 is a bottom view thereof.

D. 339,187 9/1993 Haynes D23/213

D. 363,972 11/1995 Huen D23/223

1 Claim, 6 Drawing Sheets



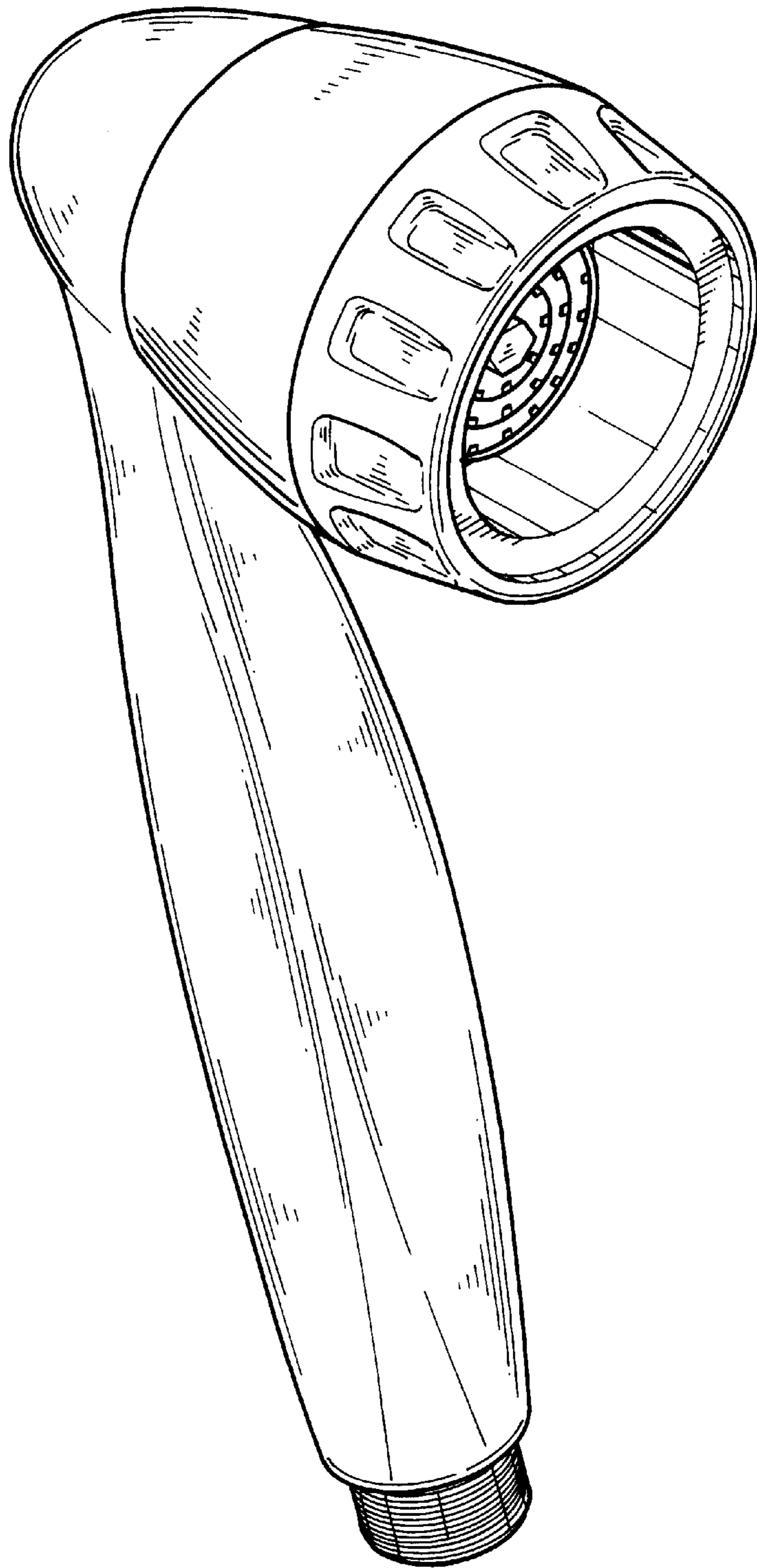


FIG. 1

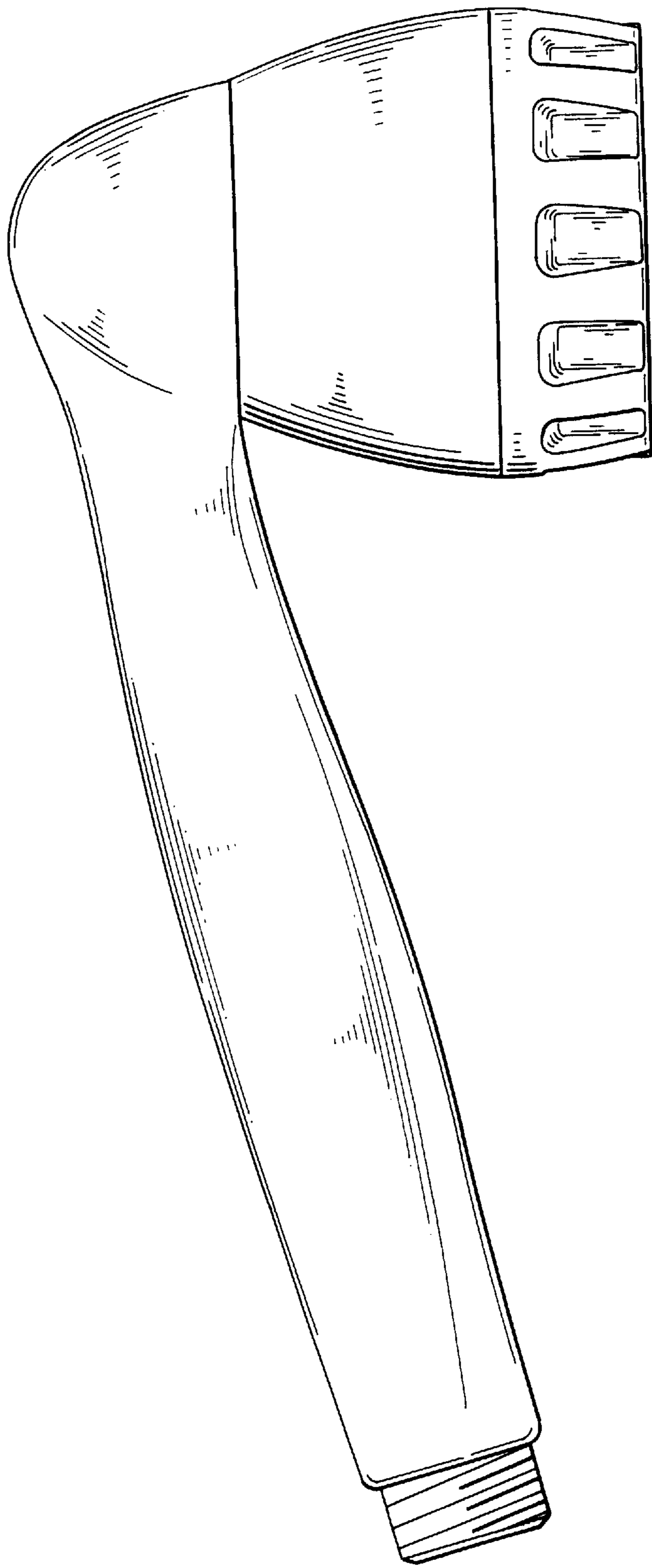


FIG. 2

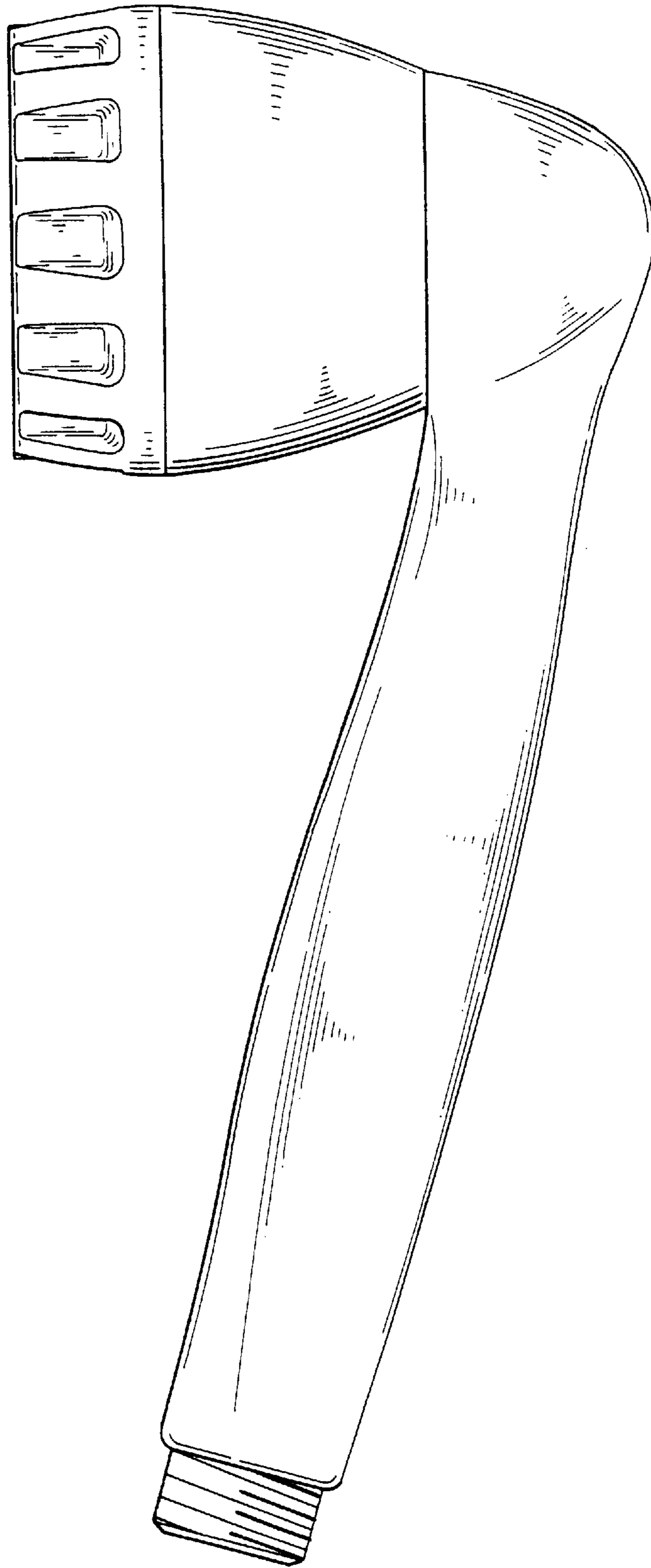


FIG. 3

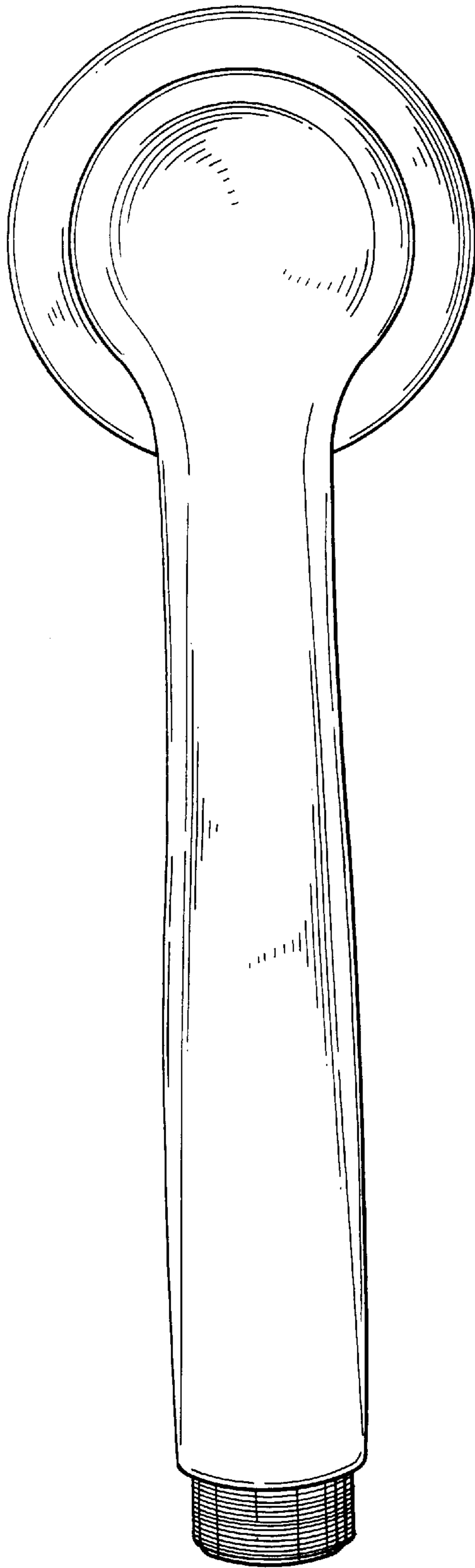


FIG. 4

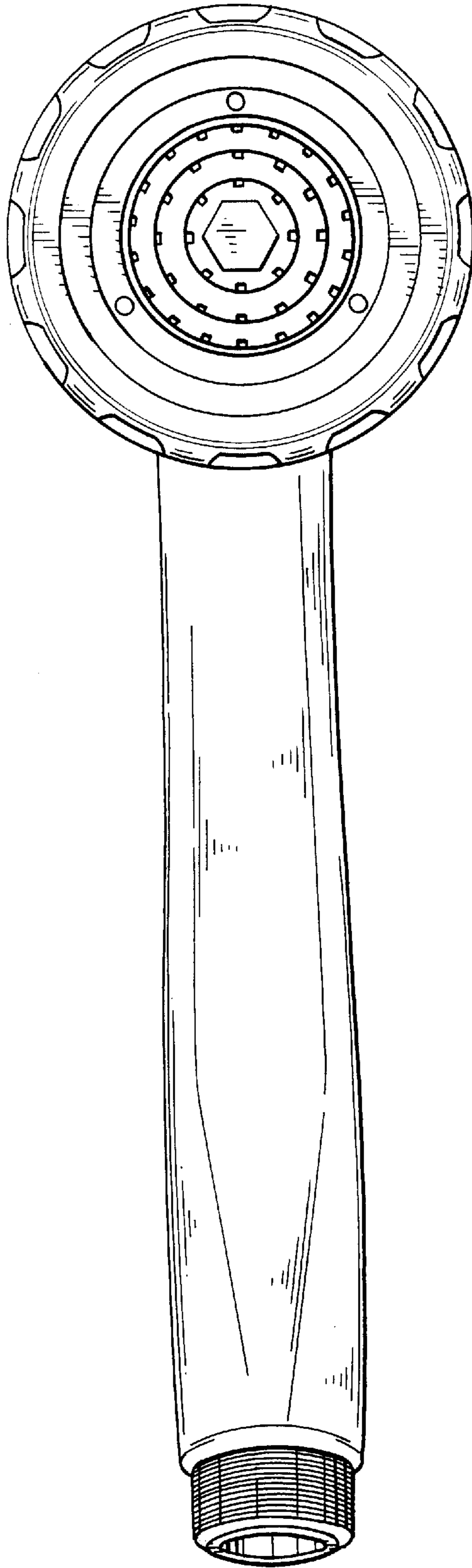


FIG. 5

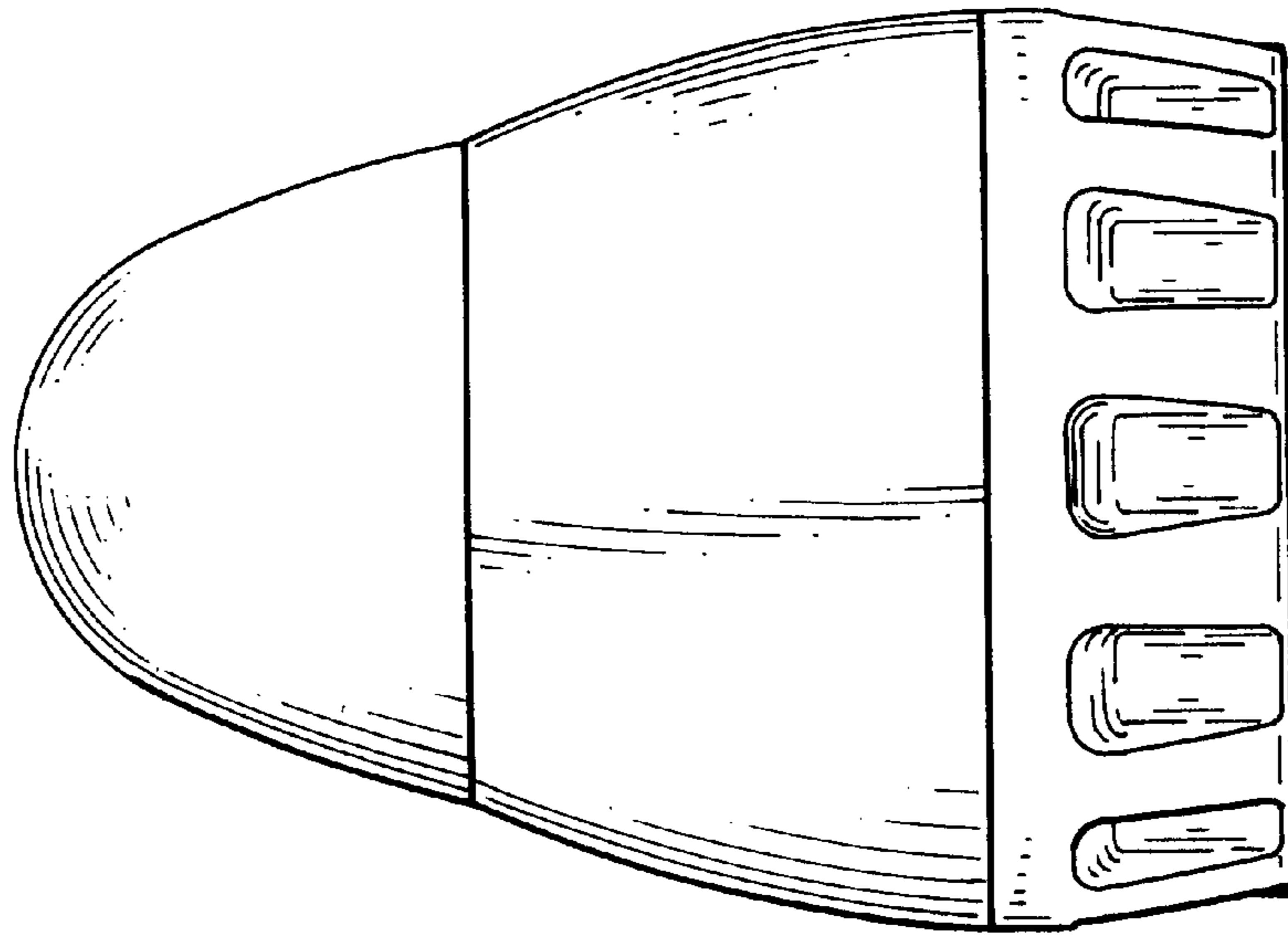


FIG. 6

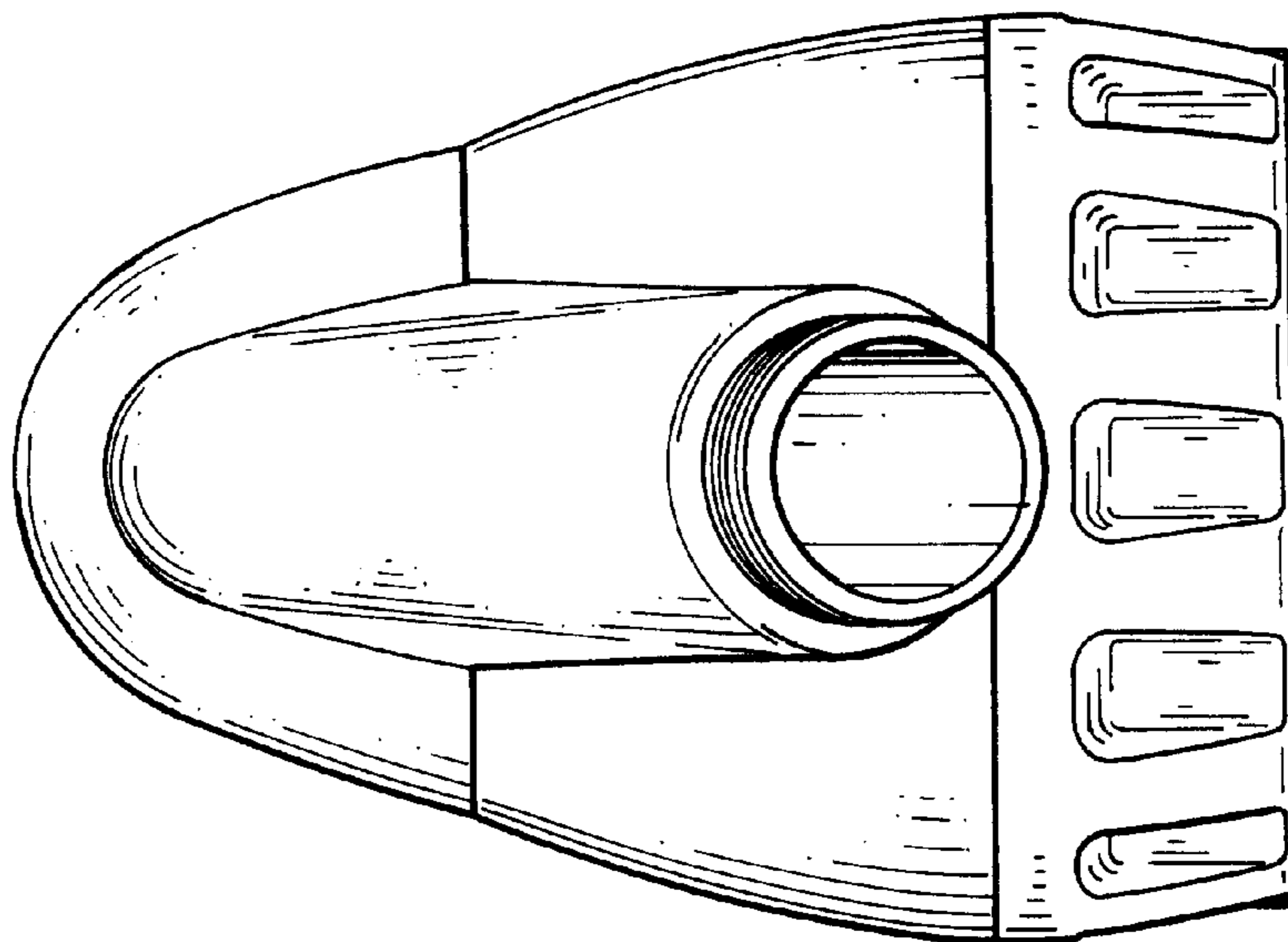


FIG. 7