



US00D410728S

United States Patent [19]

Kurth et al.

[11] Patent Number: **Des. 410,728**

[45] Date of Patent: **** Jun. 8, 1999**

[54] FAUCET MOUNT WATER FILTER UNIT

4,686,037	8/1987	Lang	210/282
5,192,436	3/1993	Sasaki et al.	210/282
5,833,849	11/1998	Primdahl	210/282

[75] Inventors: **Mark Kurth; William Cowles**, both of Chicago; **Richard Riback**, Deerfield; **Jeffrey Bull**, Chicago, all of Ill.

Primary Examiner—Alan P. Douglas
Assistant Examiner—Robin V. Taylor
Attorney, Agent, or Firm—Leydig, Voit & Mayer, Ltd.

[73] Assignee: **Omni Corporation**, Hammond, Ind.

[**] Term: **14 Years**

[57] CLAIM

[21] Appl. No.: **29/091,436**

The ornamental design for a faucet mount water filter unit, as shown and described.

[22] Filed: **Jul. 30, 1998**

DESCRIPTION

[51] LOC (6) Cl. **23-01**

[52] U.S. Cl. **D23/209**

[58] Field of Search D23/200, 201,
D23/207, 209; 210/460, 461, 282

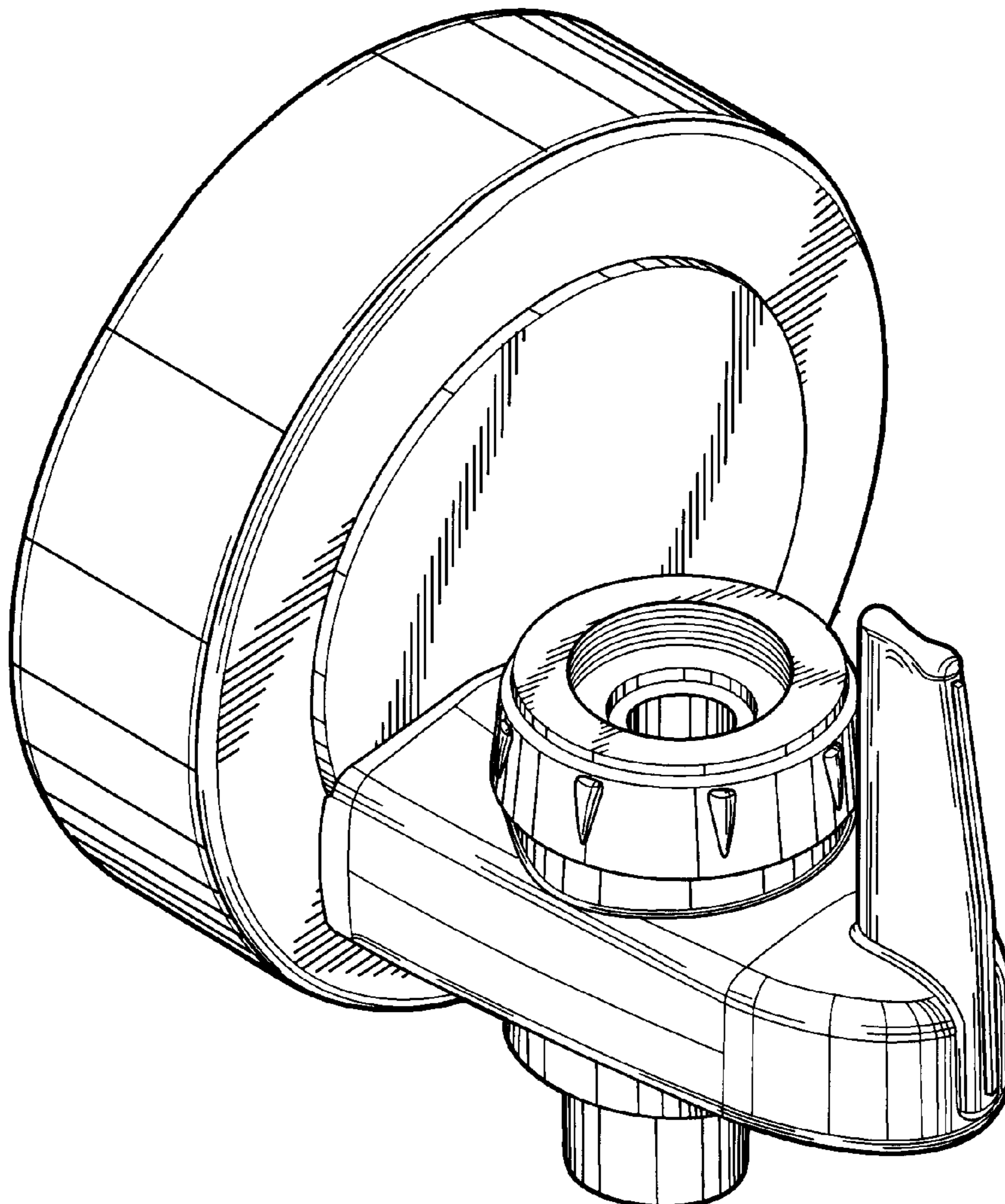
FIG. 1 is a top and front perspective view of a faucet mount water filter unit, showing my new design;
FIG. 2 is a rear, left and back perspective view thereof;
FIG. 3 is a front plan view thereof;
FIG. 4 is a rear elevational view thereof;
FIG. 5 is a top plan view thereof;
FIG. 6 is a bottom plan view thereof; and,
FIG. 7 is a left side elevational view thereof.

[56] References Cited

U.S. PATENT DOCUMENTS

D. 328,942	8/1992	Igami et al.	D23/209
D. 398,369	9/1998	Hayes et al.	D23/209
4,504,389	3/1985	Rundzaitis	210/282

1 Claim, 4 Drawing Sheets



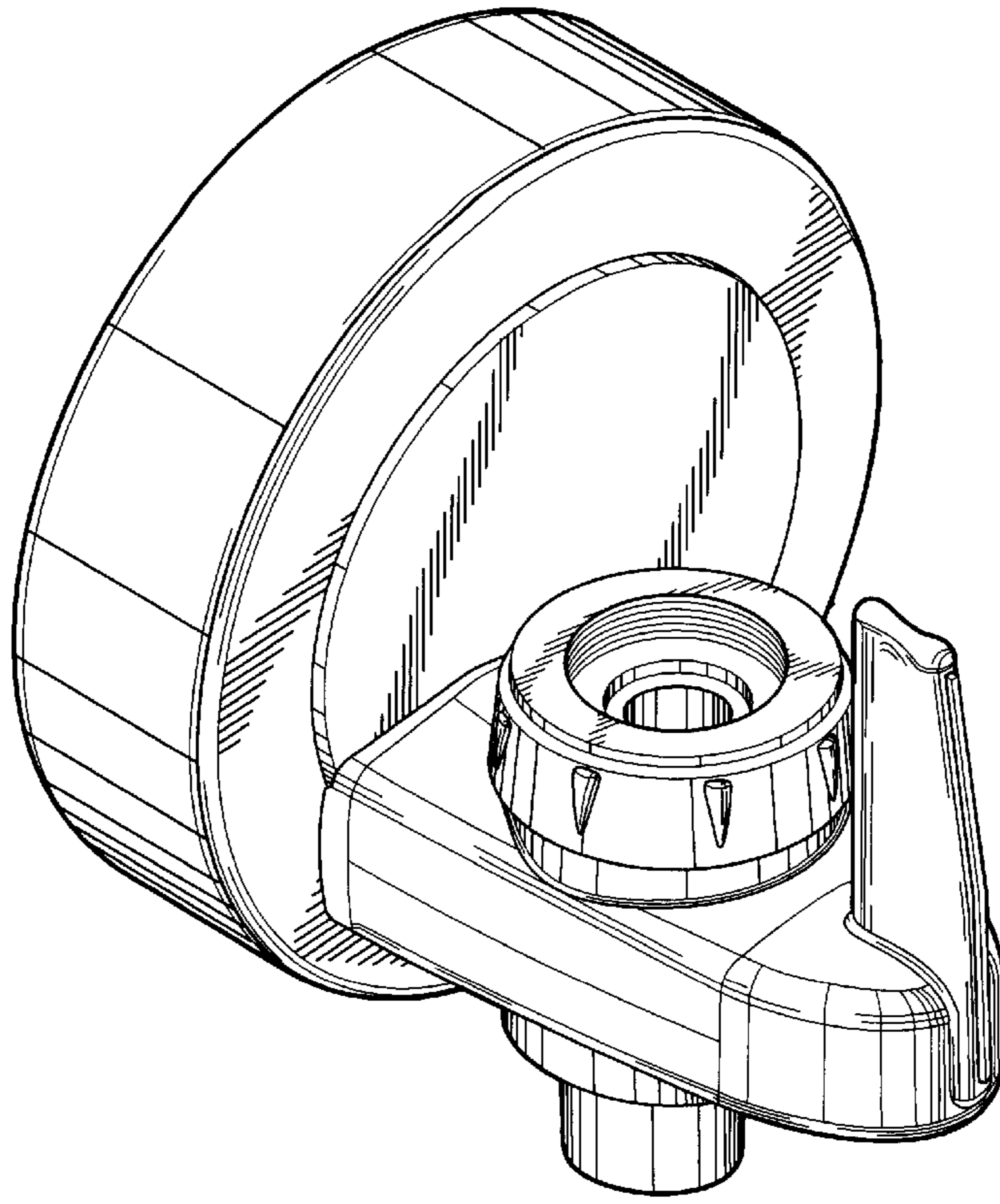


FIG. 1

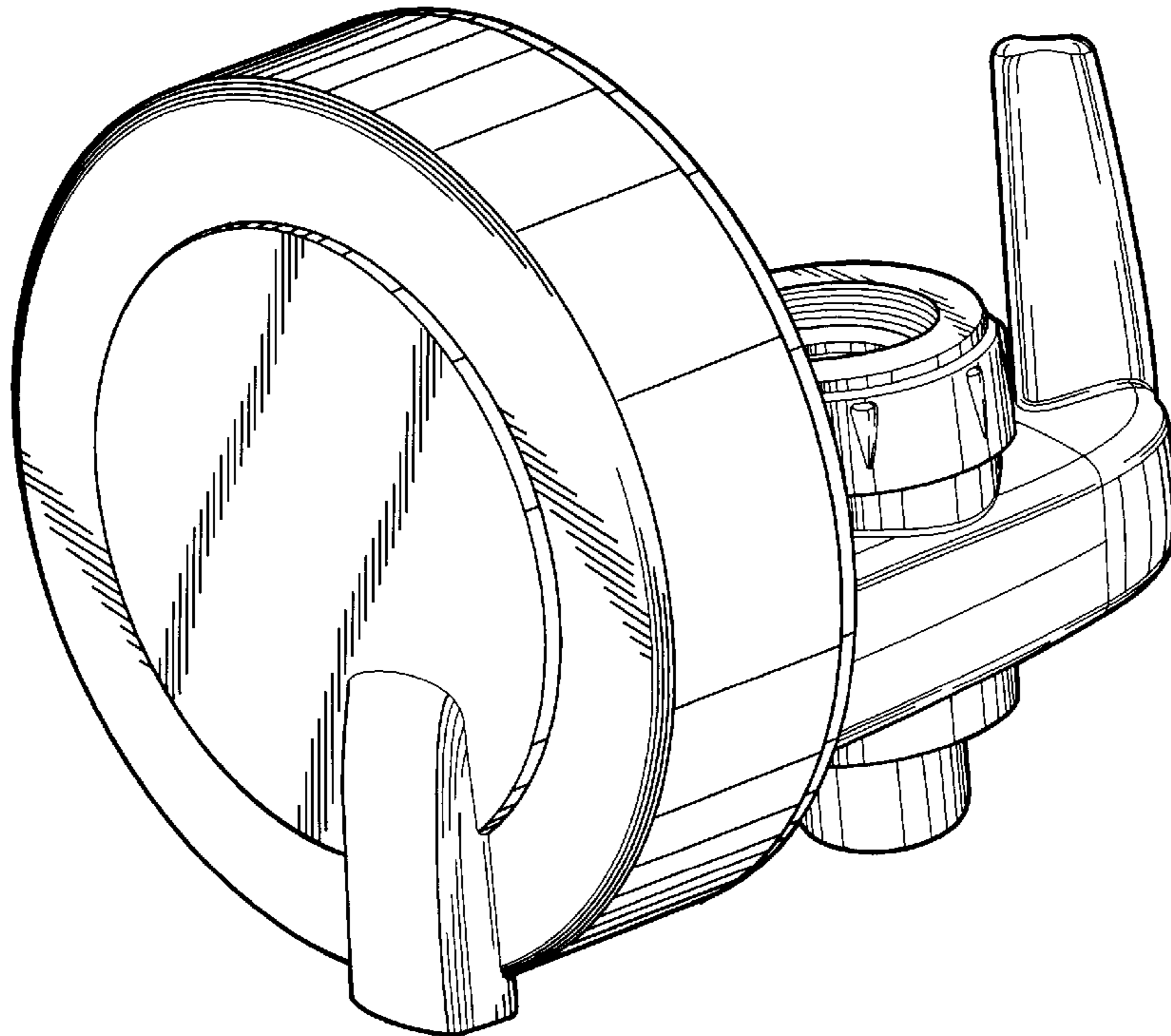


FIG. 2

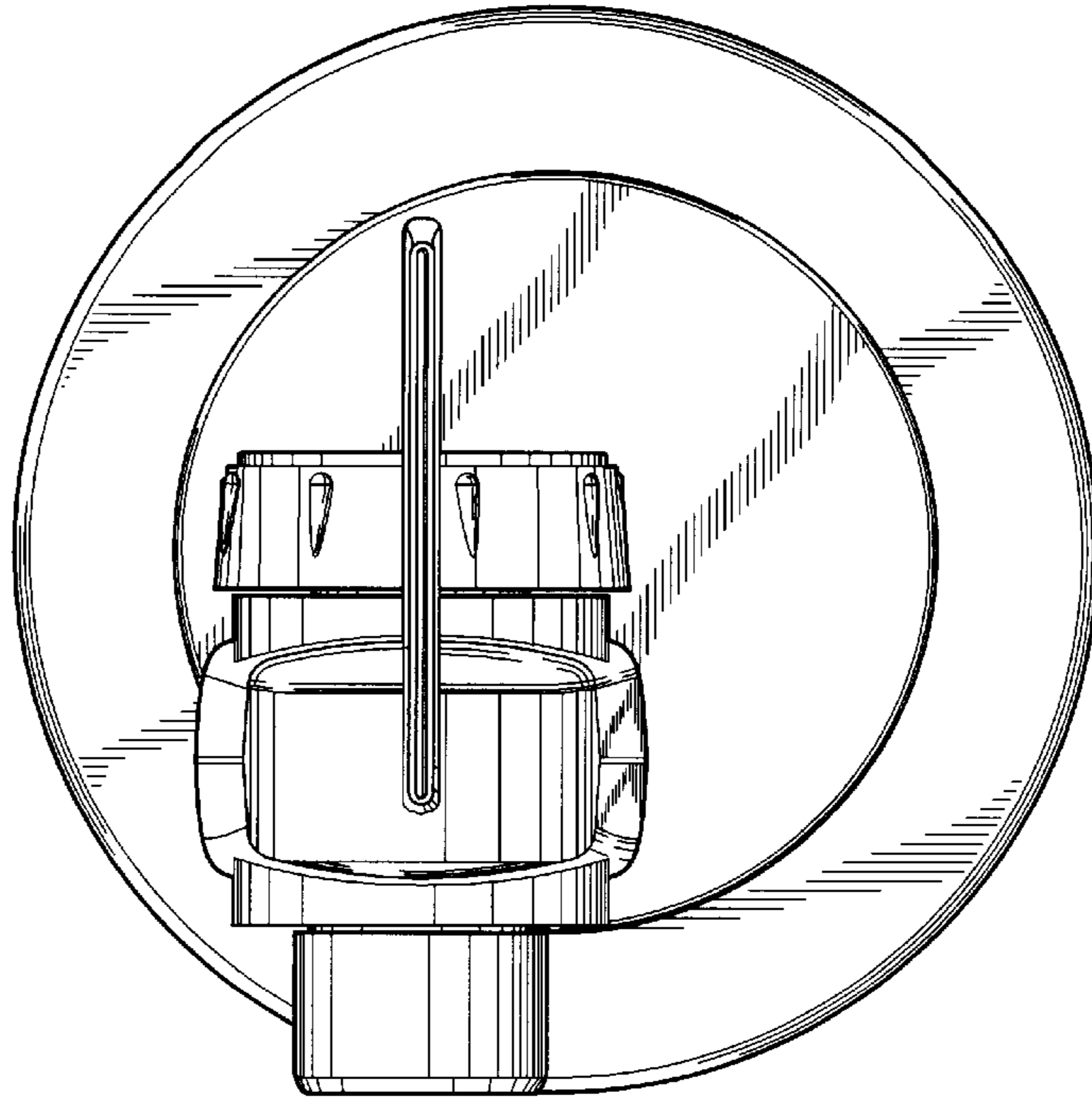


FIG. 3

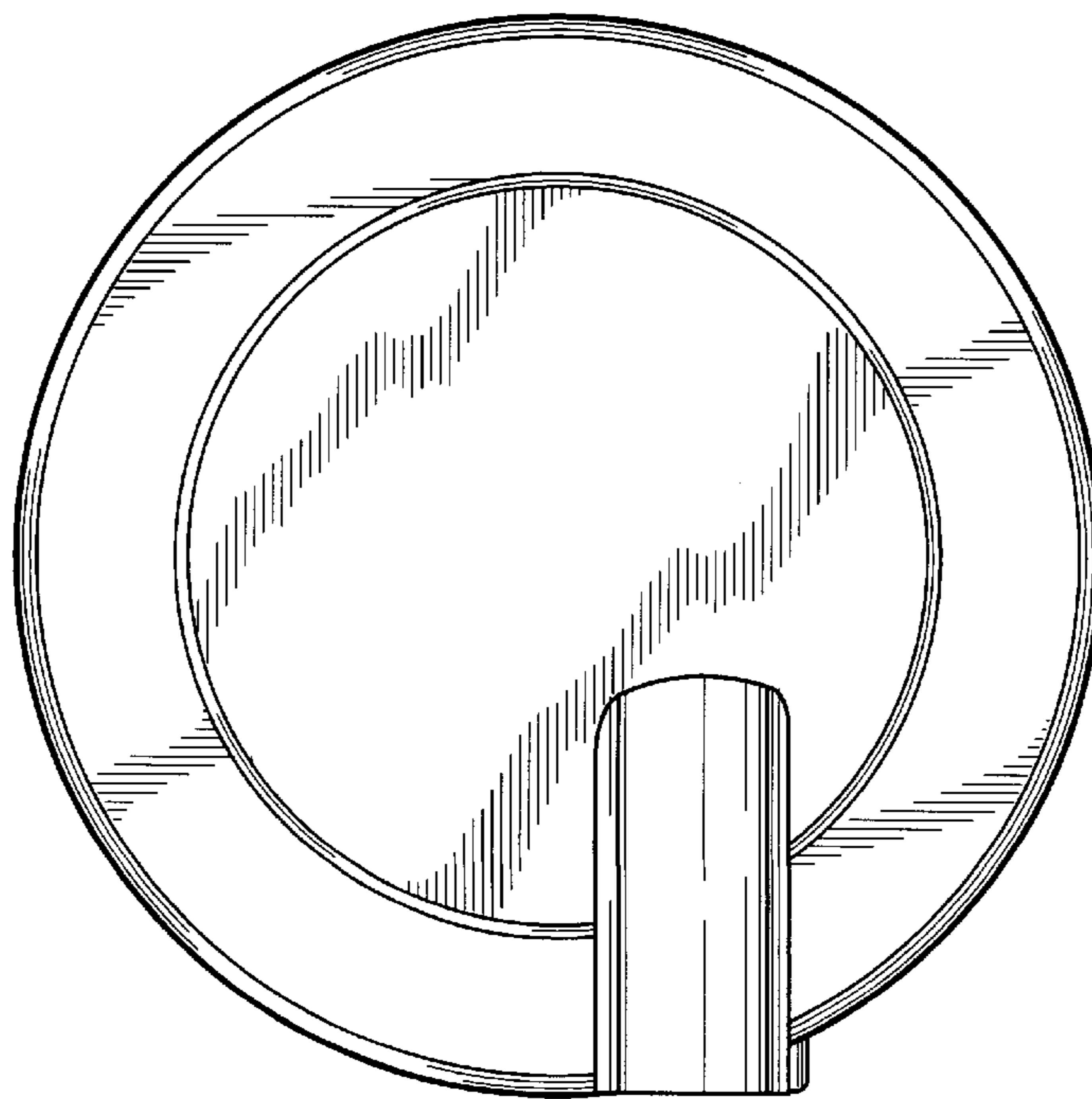


FIG. 4

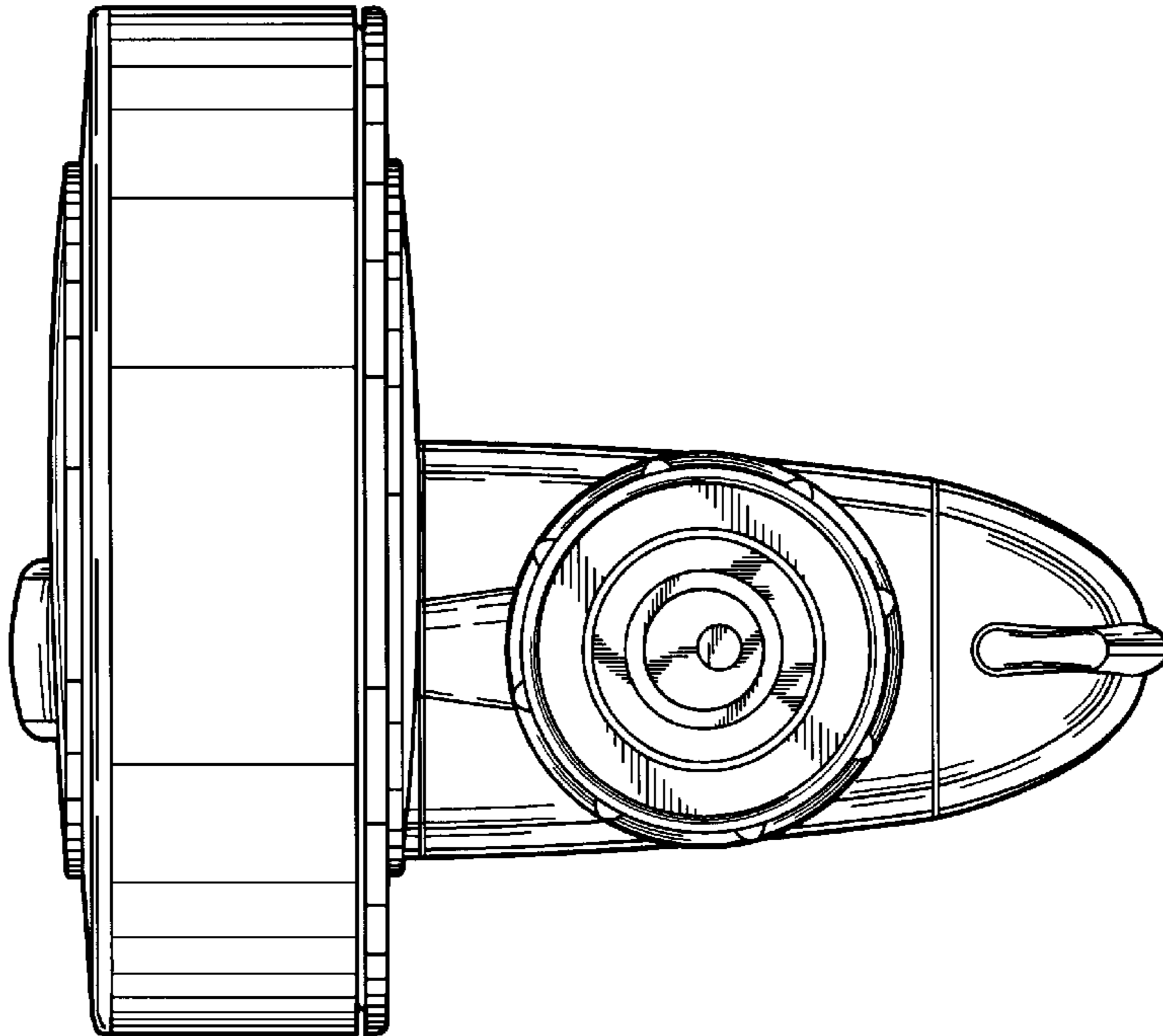


FIG. 5

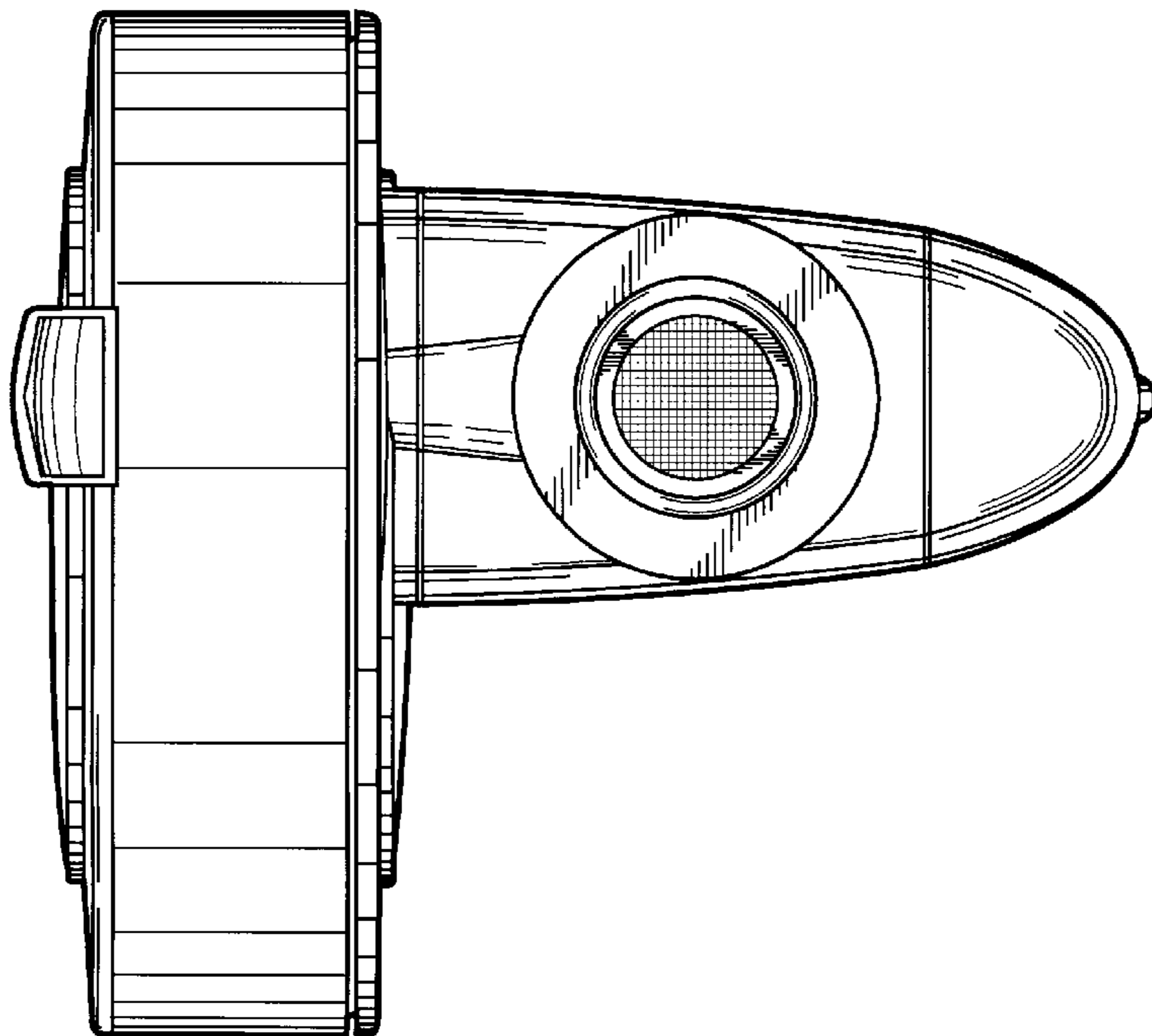


FIG. 6

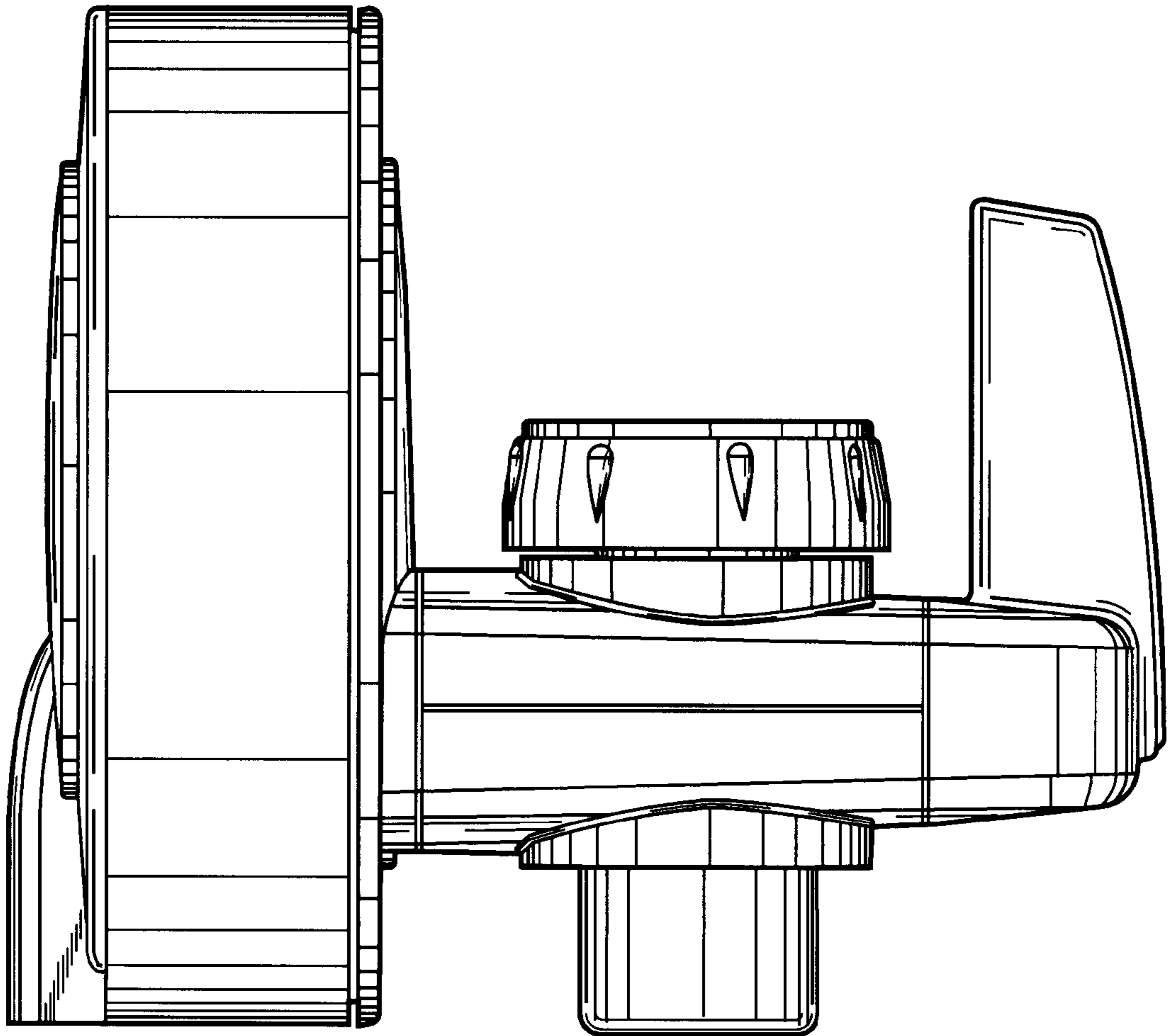


FIG. 7