



US00D410727S

# United States Patent [19]

Khamis et al.

[11] Patent Number: Des. 410,727

[45] Date of Patent: \*\* Jun. 8, 1999

[54] INLET FILTER

[75] Inventors: **Chaouki A. Khamis**, St. Anthony; **Carl M. Geisz**, St. Paul, both of Minn.; **Daniel M. Spearman**; **Michael R. Spearman**, both of The Woodlands, Tex.

[73] Assignee: **Porous Media Corporation**, St. Paul, Minn.

[\*\*] Term: **14 Years**

[21] Appl. No.: **29/089,961**

[22] Filed: **Jun. 26, 1998**

[51] LOC (6) Cl. .... **23-01**

[52] U.S. Cl. .... **D23/209**

[58] Field of Search ..... D23/200, 207, D23/209; 210/459, 460, 266, 282, 198.1

[56] **References Cited**

**U.S. PATENT DOCUMENTS**

D. 330,746 11/1992 Zazulia ..... D23/209

3,289,847 12/1966 Rothmund ..... 210/266  
5,705,065 1/1998 Sharpe ..... 210/459

*Primary Examiner*—Alan P. Douglas  
*Assistant Examiner*—Robin V. Taylor  
*Attorney, Agent, or Firm*—Marshall & Melhorn

[57] **CLAIM**

The ornamental design for an inlet filter, as shown and described.

**DESCRIPTION**

FIG. 1 is a front elevational view of an inlet filter showing our new design;

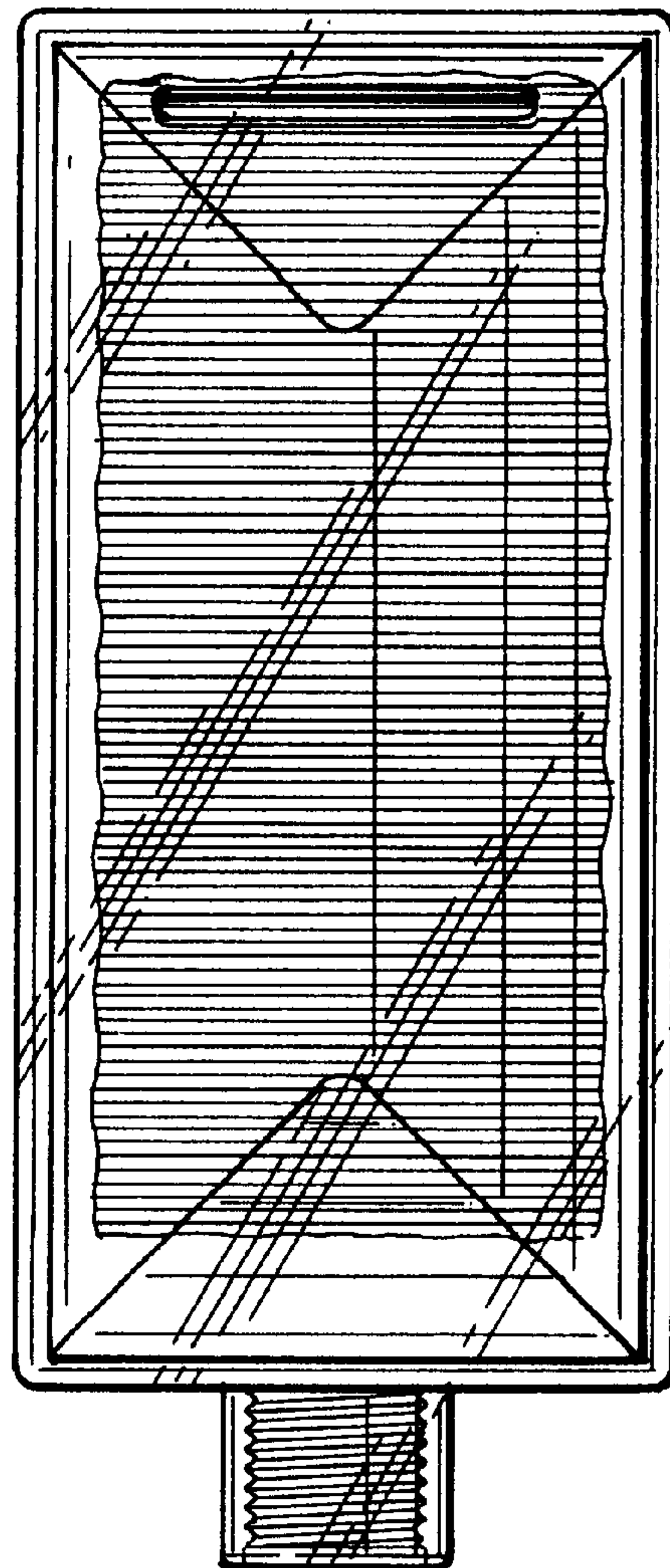
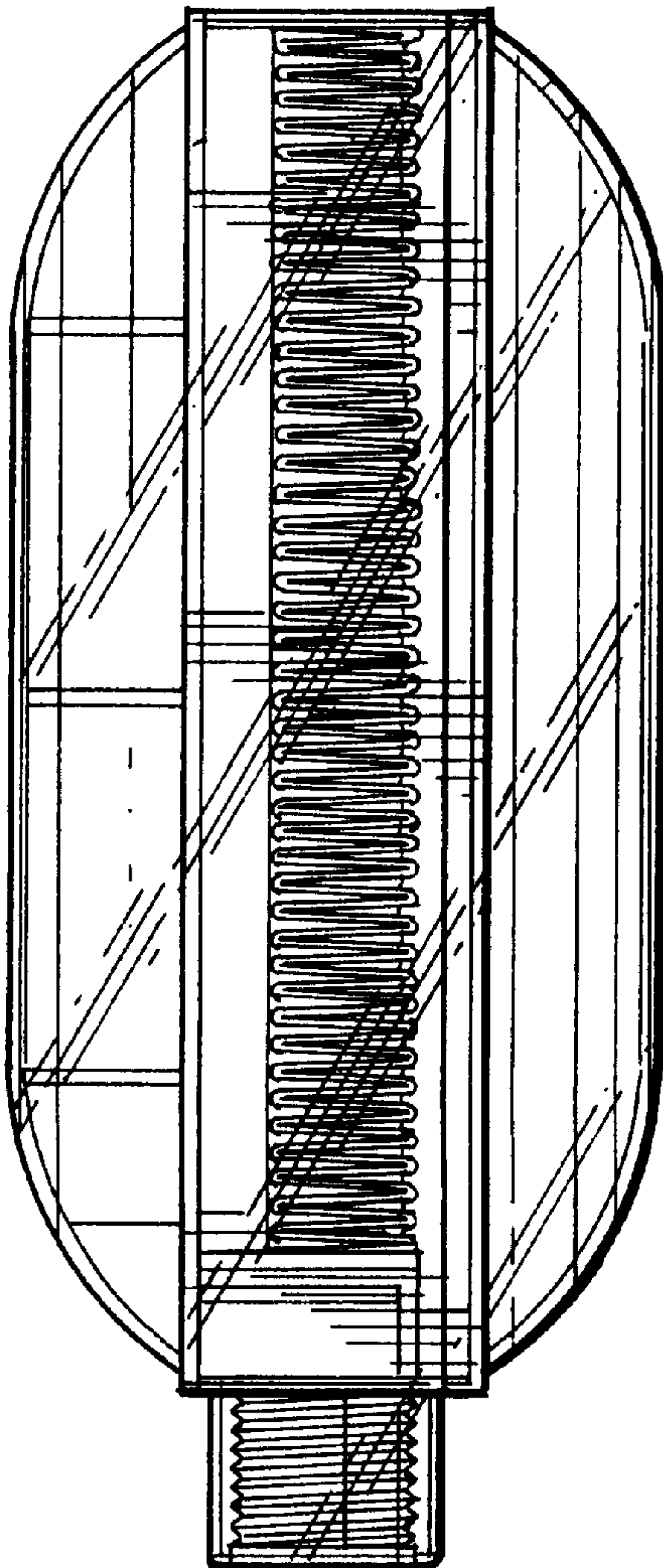
FIG. 2 is a right side elevational view, the left side elevational view being a mirror image thereof;

FIG. 3 is a rear elevational view thereof;

FIG. 4 is a top plan view thereof; and,

FIG. 5 is a bottom plan view thereof.

**1 Claim, 2 Drawing Sheets**



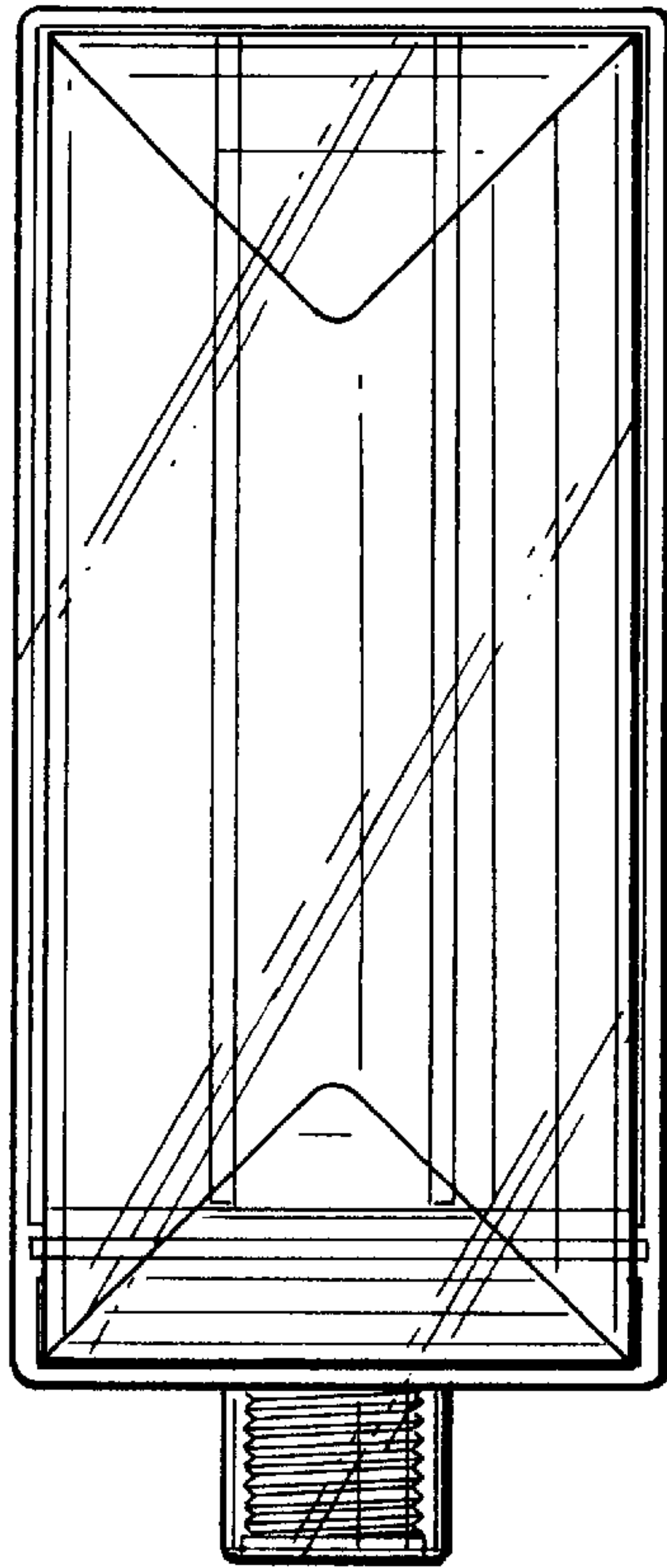


FIG. 1

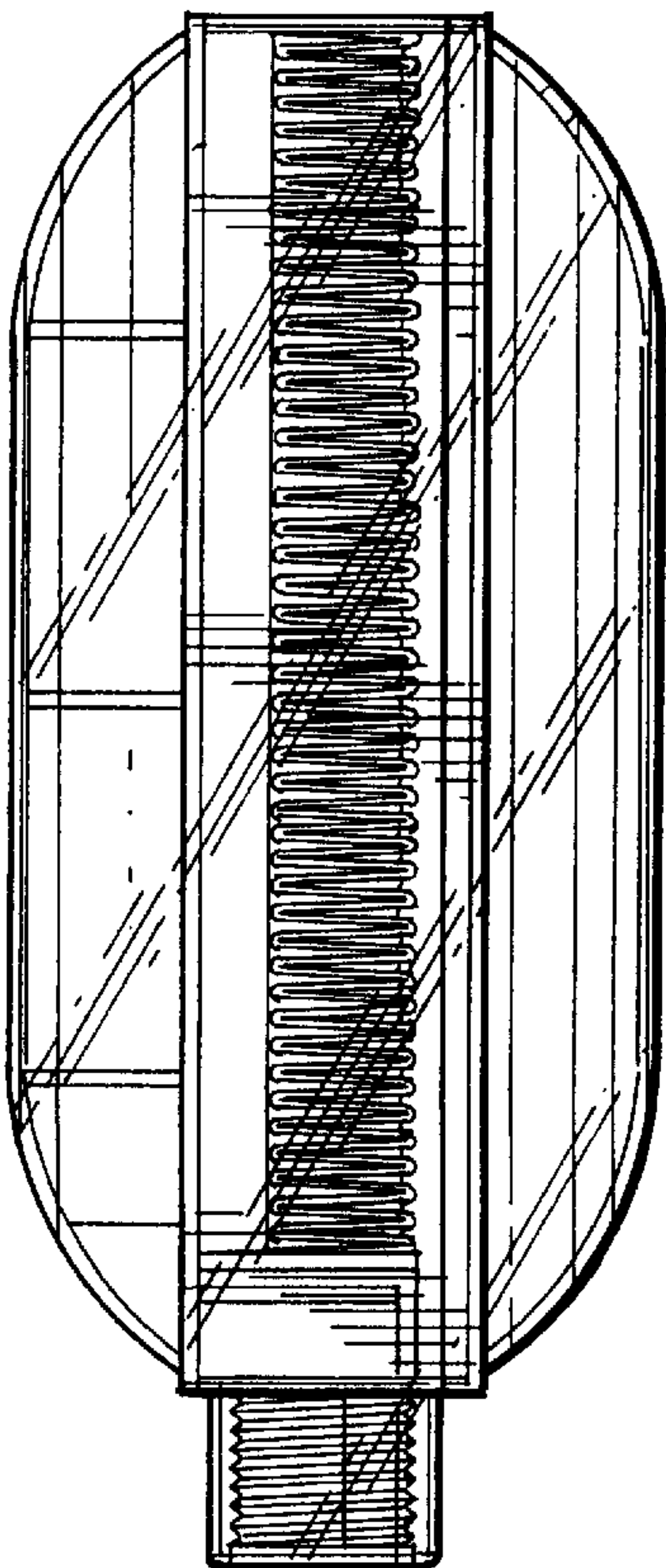


FIG. 2

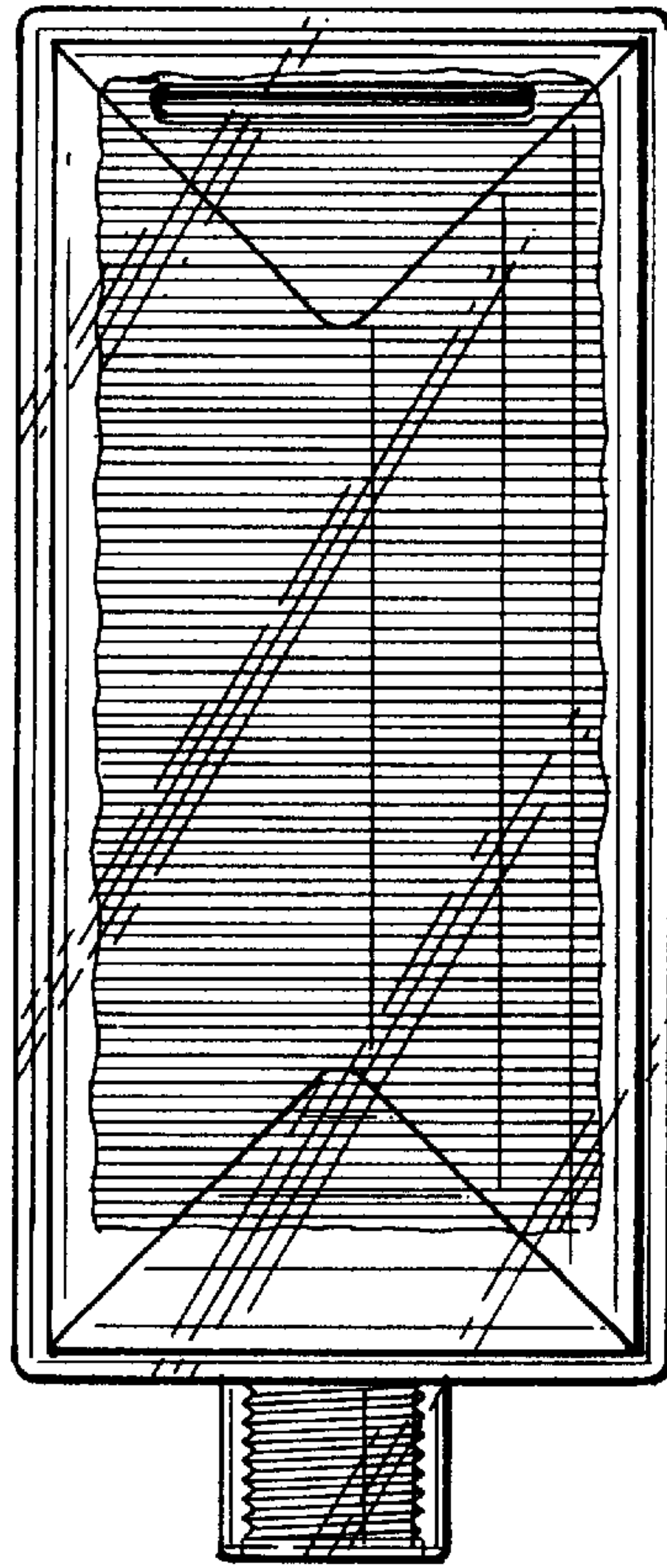


FIG. 3

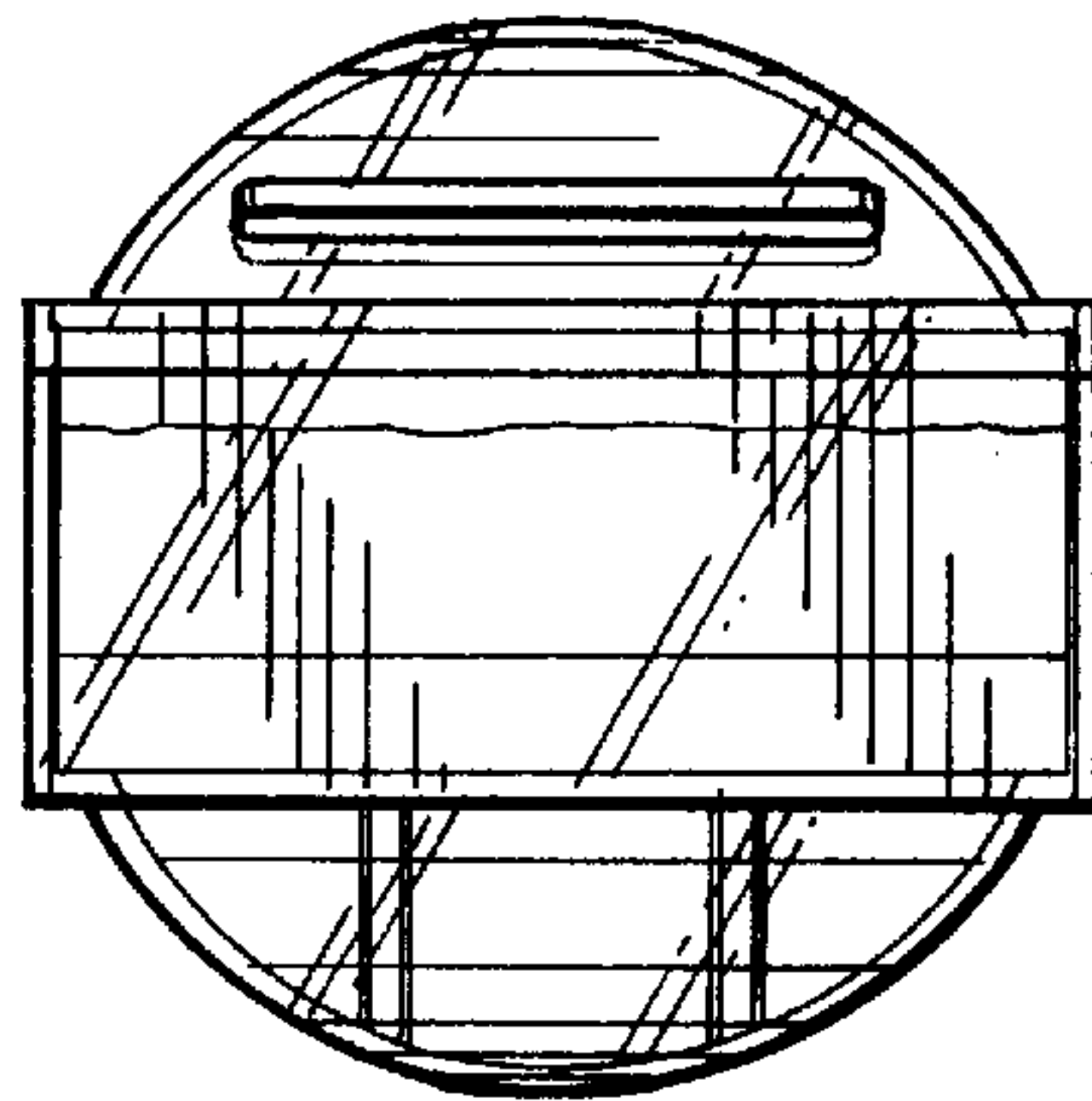


FIG. 4

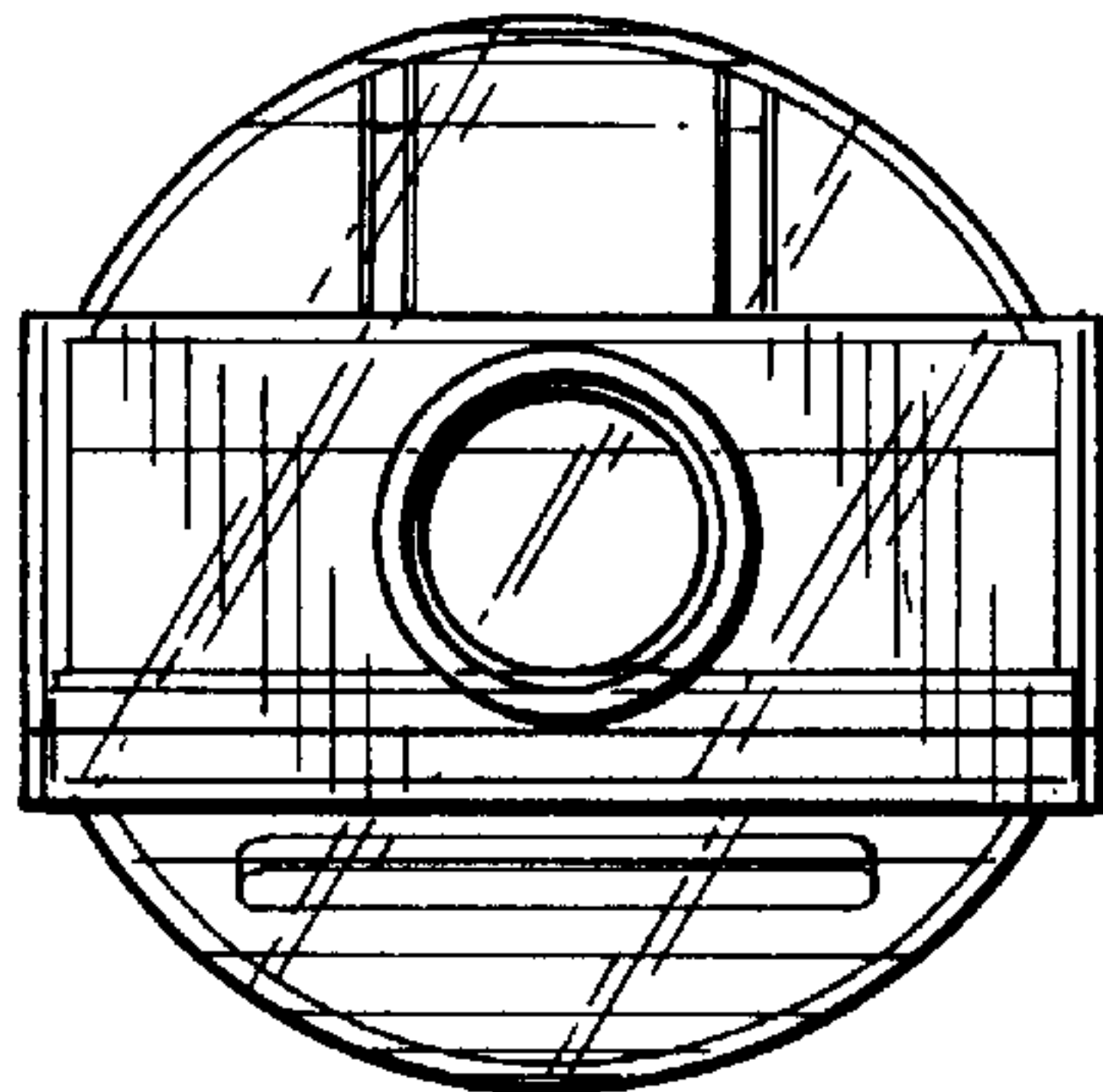


FIG. 5