



US00D410726S

# United States Patent [19] Cook

[11] **Patent Number: Des. 410,726**  
[45] **Date of Patent: \*\* Jun. 8, 1999**

[54] **PORTABLE WATER PURIFICATION APPARATUS**

[75] Inventor: **James E. Cook, Anoka, Minn.**

[73] Assignee: **Pure Rinse Systems, Inc, Brooklyn Park, Minn.**

[\*\*] Term: **14 Years**

[21] Appl. No.: **29/094,475**

[22] Filed: **Oct. 2, 1998**

[51] **LOC (6) Cl. .... 23-01**

[52] **U.S. Cl. .... D23/207; D23/200**

[58] **Field of Search .... D23/200, 207, D23/209; 210/241, 741; 422/40, 41, 43; 202/81, 83, 185.2, 185.5, 185.6**

[56] **References Cited**

**U.S. PATENT DOCUMENTS**

D. 328,777 8/1992 Thalmann et al. .... D23/209

D. 352,090 11/1994 Dea et al. .... D23/207  
D. 359,055 6/1995 Drago et al. .... D23/207  
D. 370,050 5/1996 Dea et al. .... D23/207  
5,662,779 9/1997 Greene et al. .... 202/83

*Primary Examiner*—Robin V. Taylor  
*Attorney, Agent, or Firm*—Roger W. Jensen

[57] **CLAIM**

The ornamental design for an portable water purification apparatus, as shown.

**DESCRIPTION**

FIG. 1 is a left side view of a portable water purification apparatus showing my new design;  
FIG. 2 is a bottom view;  
FIG. 3 is a top view;  
FIG. 4 is a right side view;  
FIG. 5 is a front view; and,  
FIG. 6 is a rear view.

**1 Claim, 3 Drawing Sheets**

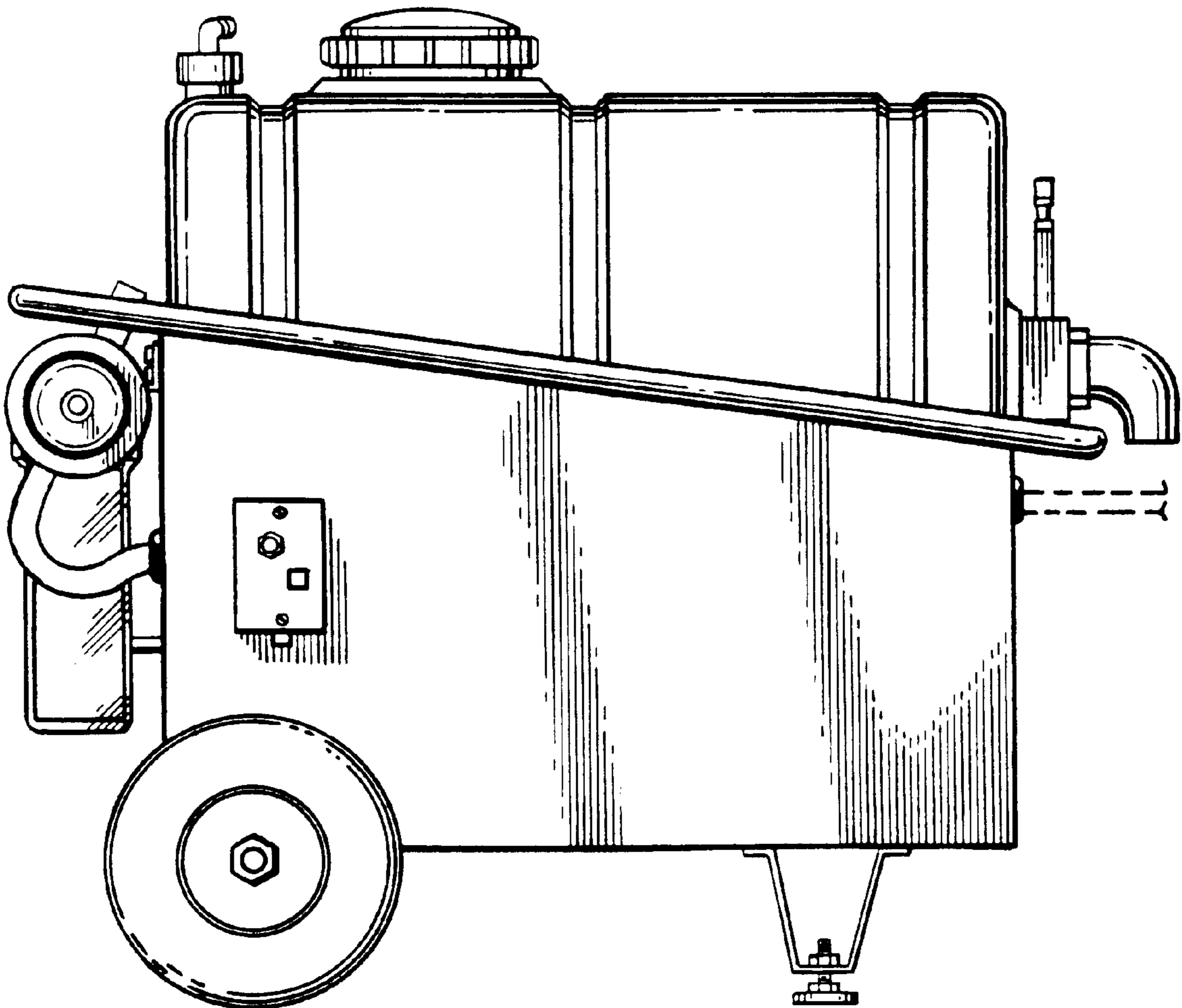


FIG. 1

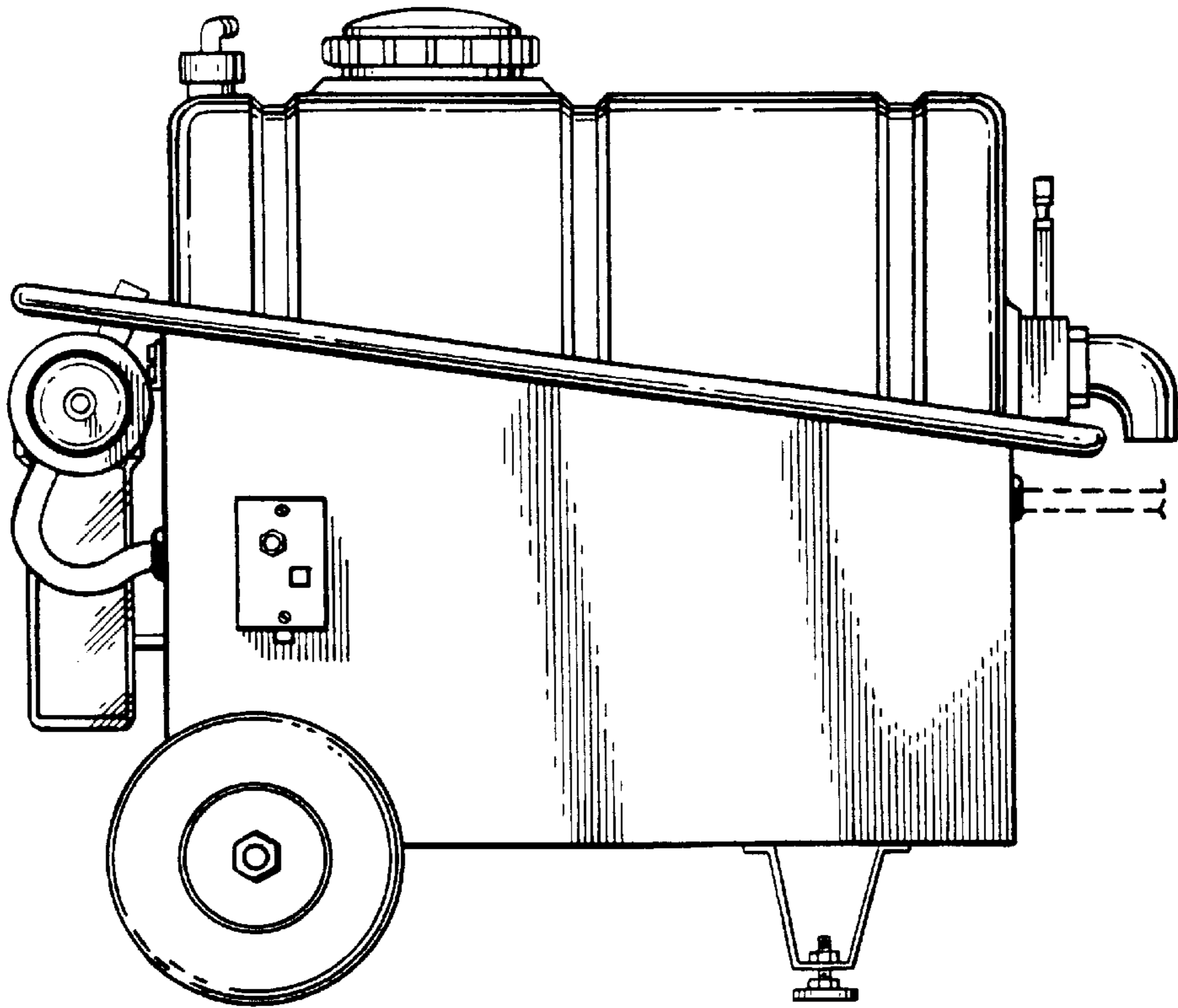


FIG. 2

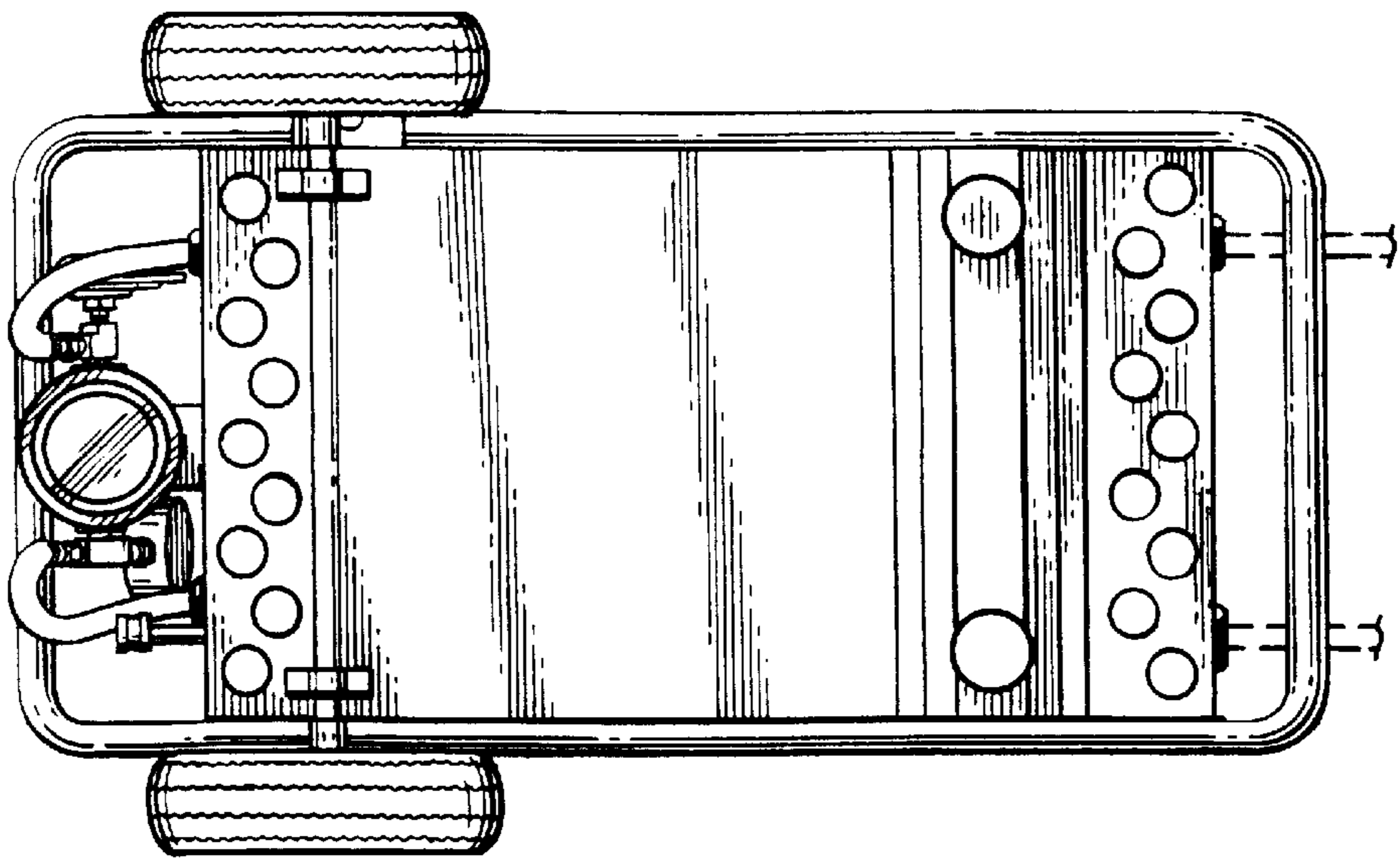


FIG. 3

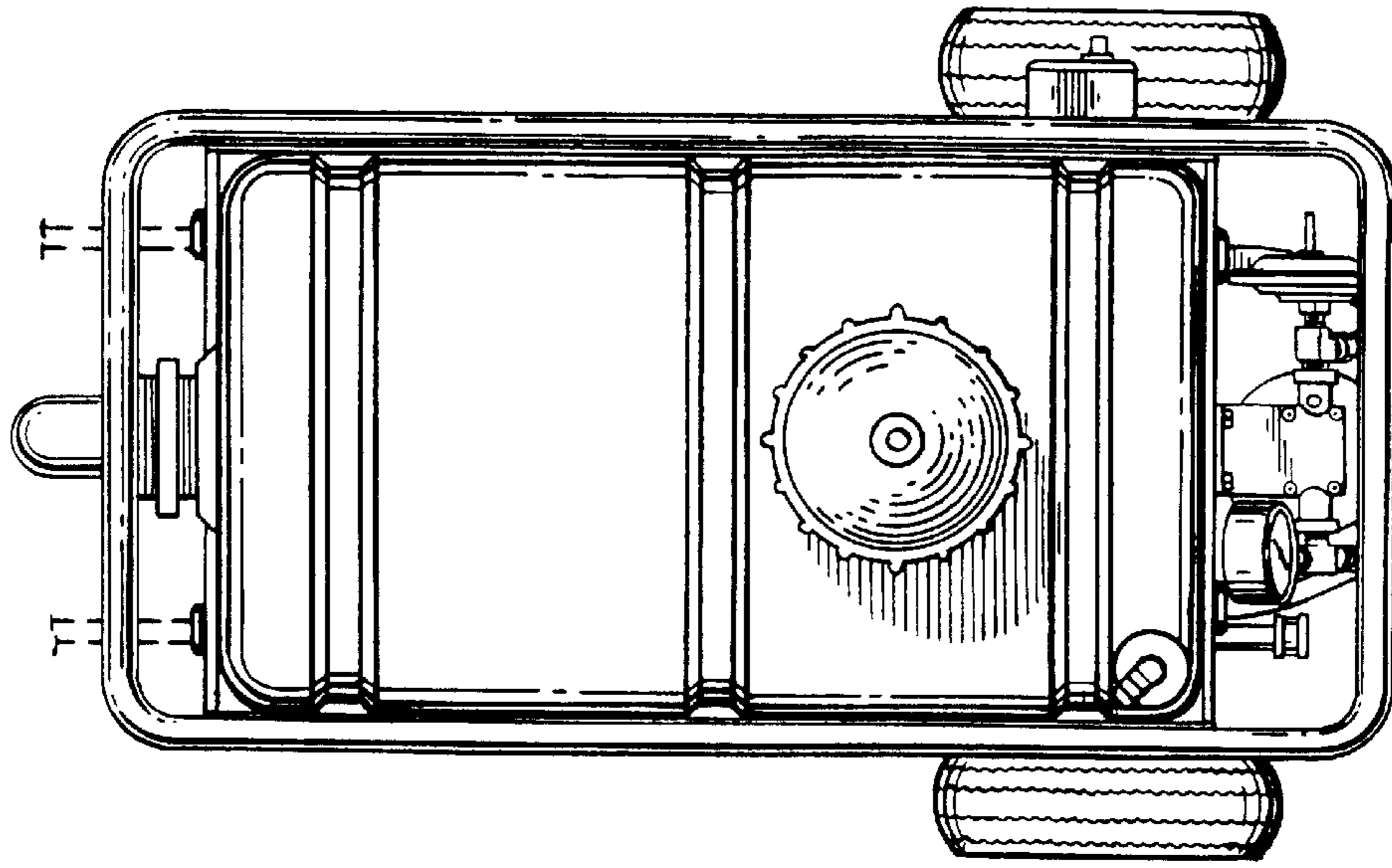
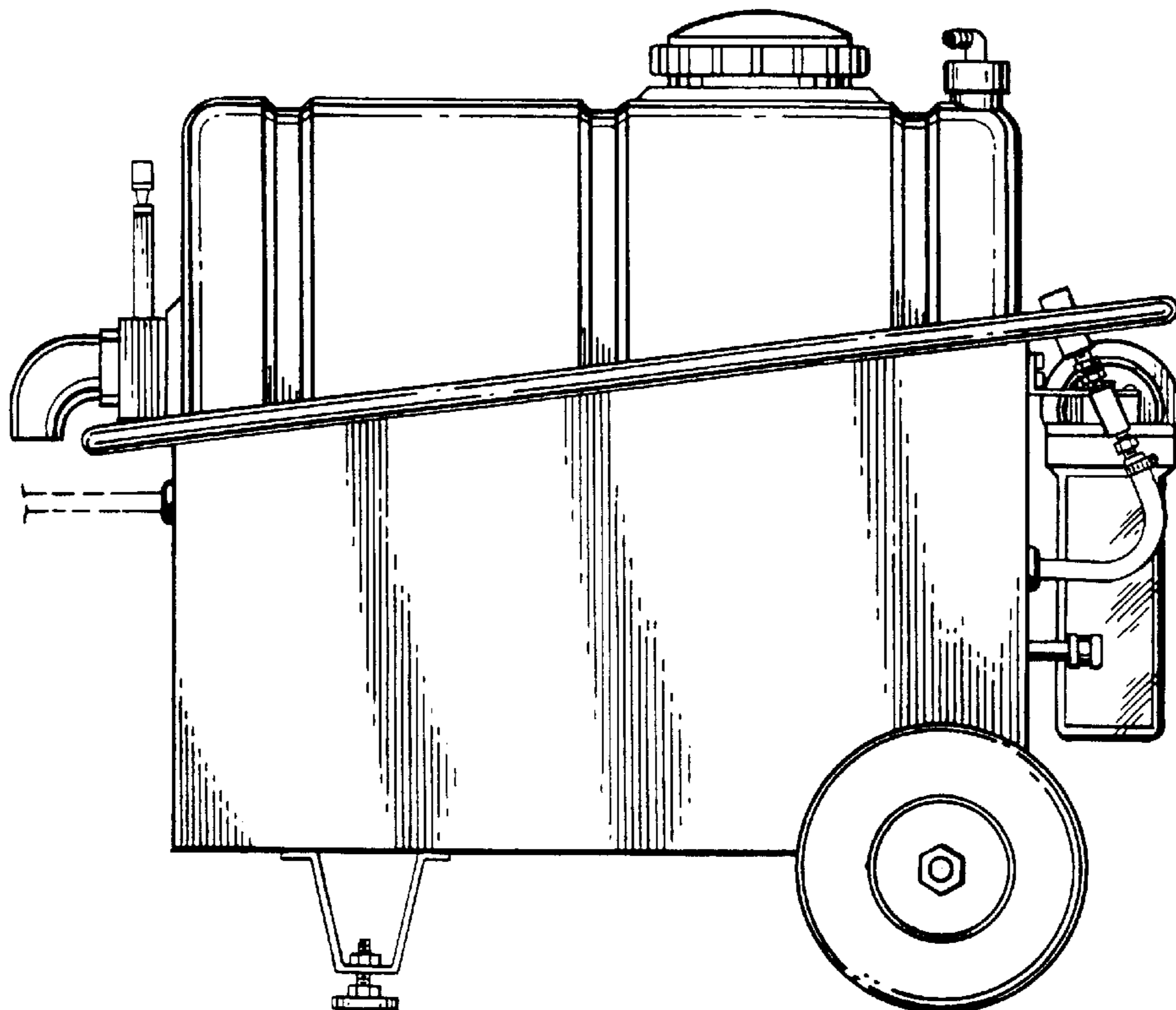
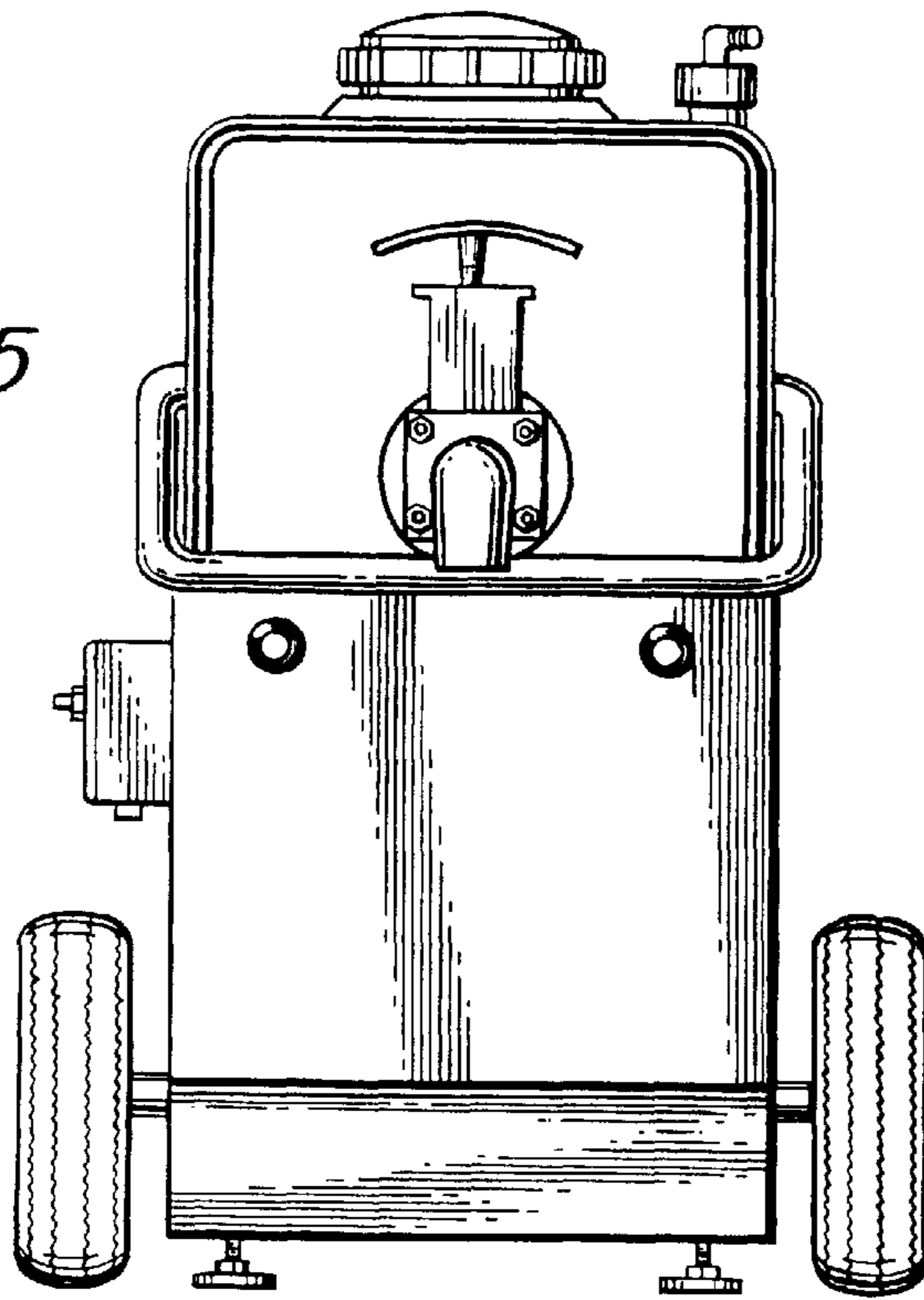


FIG. 4



*FIG. 5*



*FIG. 6*

