



US00D410725S

# United States Patent [19] Ohmura

[11] **Patent Number: Des. 410,725**  
[45] **Date of Patent: \*\* \*Jun. 8, 1999**

[54] **LINE GUIDE FOR FISHING ROD**

4,697,375 10/1987 Mills ..... 43/24

[75] Inventor: **Ryuichi Ohmura**, Shizuoka, Japan

**FOREIGN PATENT DOCUMENTS**

[73] Assignee: **Fuji Kogyo Co., Ltd.**, Shizuoka-ken, Japan

D. 16-50 3/1979 Japan .  
1 232 060 5/1971 United Kingdom .

[\*] Notice: This patent is subject to a terminal disclaimer.

**OTHER PUBLICATIONS**

[\*\*] Term: **14 Years**

Perfection Tip Company Camping Products Company, Catalog No. 791 undated.

[21] Appl. No.: **29/078,768**

Fishing Rod Mountings, Mildrum Manufacturing Company undated.

[22] Filed: **Oct. 15, 1997**

Quality Fishing Rod Rings By H&H, Hopkins & Holloway Ltd. undated.

[30] **Foreign Application Priority Data**

*Primary Examiner*—Louis S. Zarfes

May 16, 1997 [JP] Japan ..... 9-54664

*Assistant Examiner*—Inga-Maria Hyttinen

[51] **LOC (6) Cl.** ..... **22-05**

*Attorney, Agent, or Firm*—Evenson, McKeown, Edwards & Lenahan, P.L.L.C.

[52] **U.S. Cl.** ..... **D22/143**

[58] **Field of Search** ..... D22/143, 137, D22/134, 138, 139; 43/24, 17.5, 17.6

[57] **CLAIM**

The ornamental design for line guide for fishing rod, as shown and described.

[56] **References Cited**

**DESCRIPTION**

**U.S. PATENT DOCUMENTS**

FIG. 1 is a perspective view of line guide for fishing rod embodying my new design;  
FIG. 2 is a top plan view thereof;  
FIG. 3 is a right side elevational view thereof;  
FIG. 4 is a front elevational view thereof;  
FIG. 5 is a left side elevational view thereof; and,  
FIG. 6 is a bottom plan view thereof.

|            |         |                 |       |         |
|------------|---------|-----------------|-------|---------|
| D. 155,954 | 11/1949 | Wodetzky        | ..... | D22/143 |
| D. 200,780 | 4/1965  | Golec           | ..... | D22/143 |
| D. 270,268 | 8/1983  | Ohmura          | ..... | D22/143 |
| 863,606    | 8/1907  | Hoerle          | ..... | 43/24   |
| 1,078,589  | 11/1913 | Meyer           | ..... | 43/24   |
| 1,478,643  | 12/1923 | Elliot          | ..... | 43/24   |
| 1,945,068  | 1/1934  | Noyes           | ..... | 43/24   |
| 1,984,349  | 12/1934 | Gurrierl et al. | ..... | 43/24   |
| 3,060,618  | 10/1962 | Grishkin        | ..... | D22/143 |

**1 Claim, 1 Drawing Sheet**

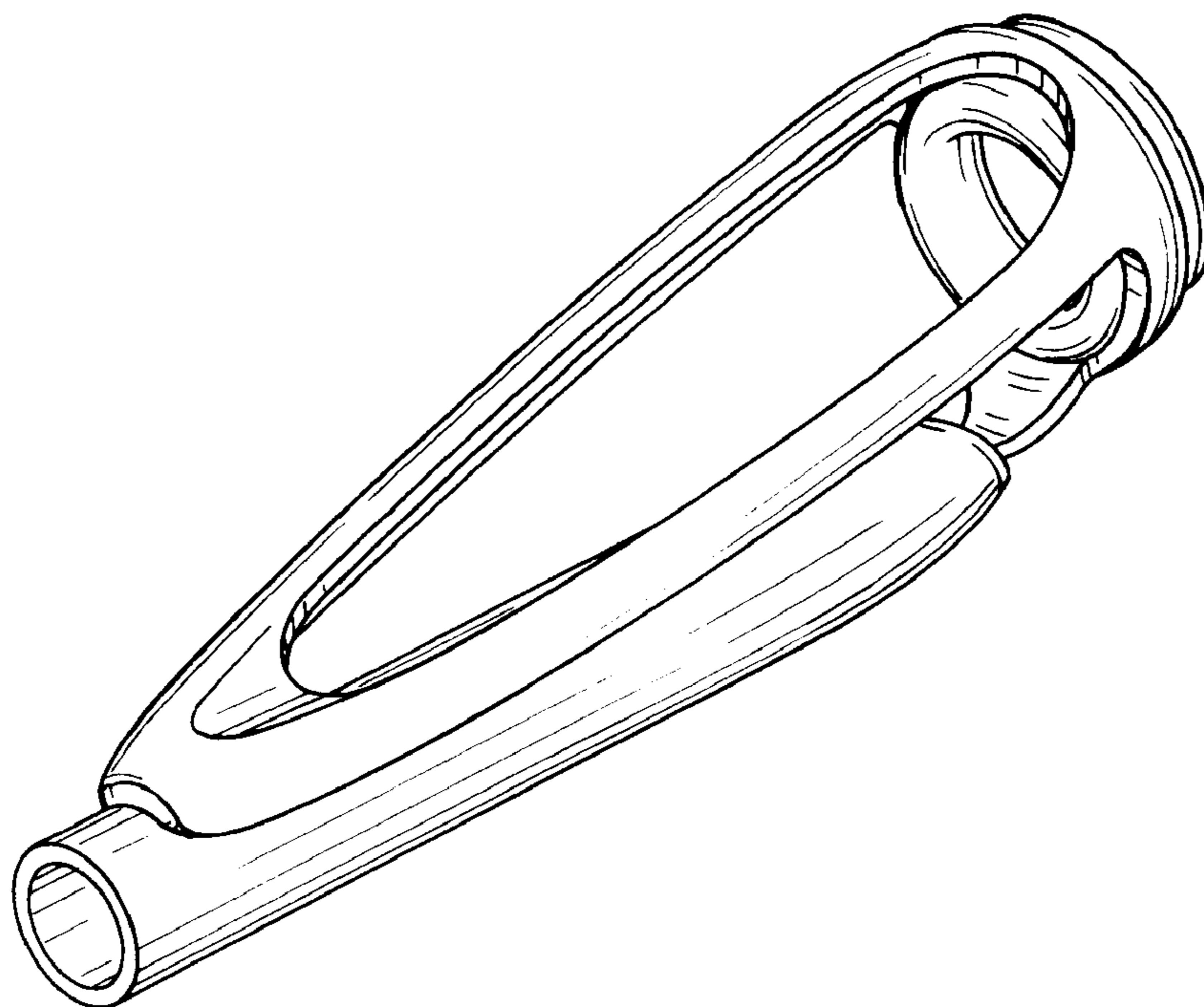


FIG. 1

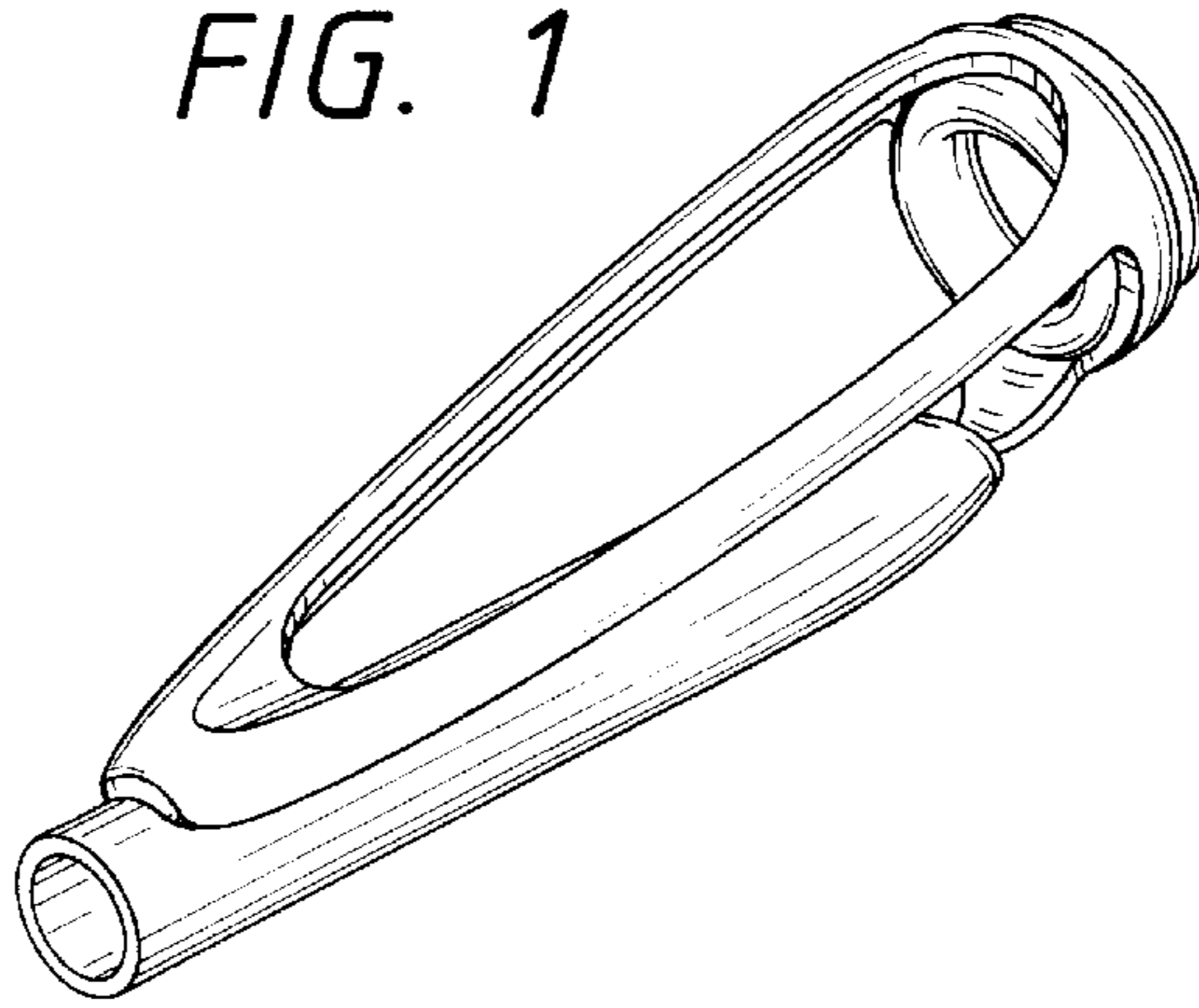


FIG. 2

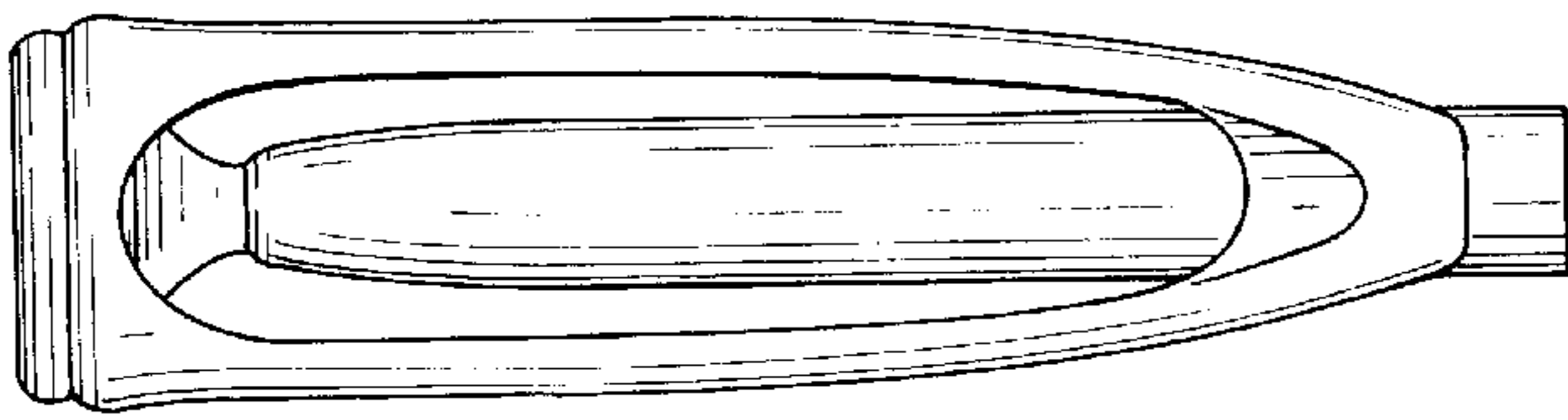


FIG. 4

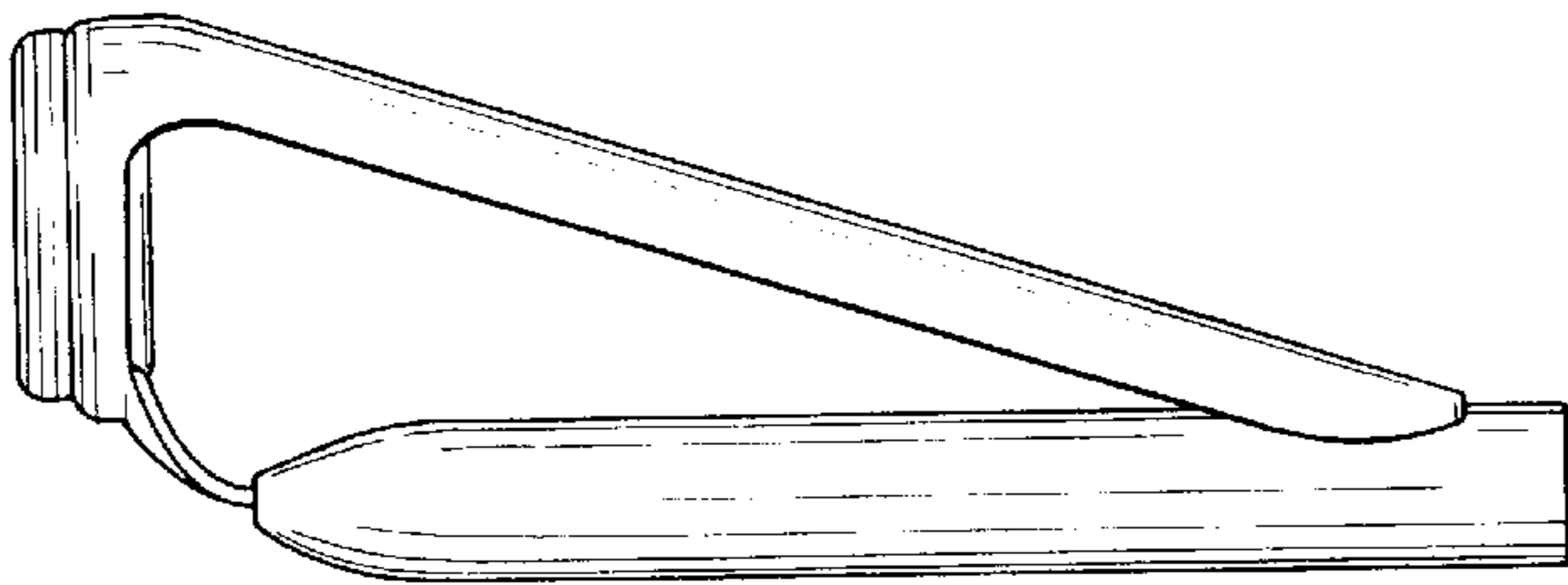


FIG. 6

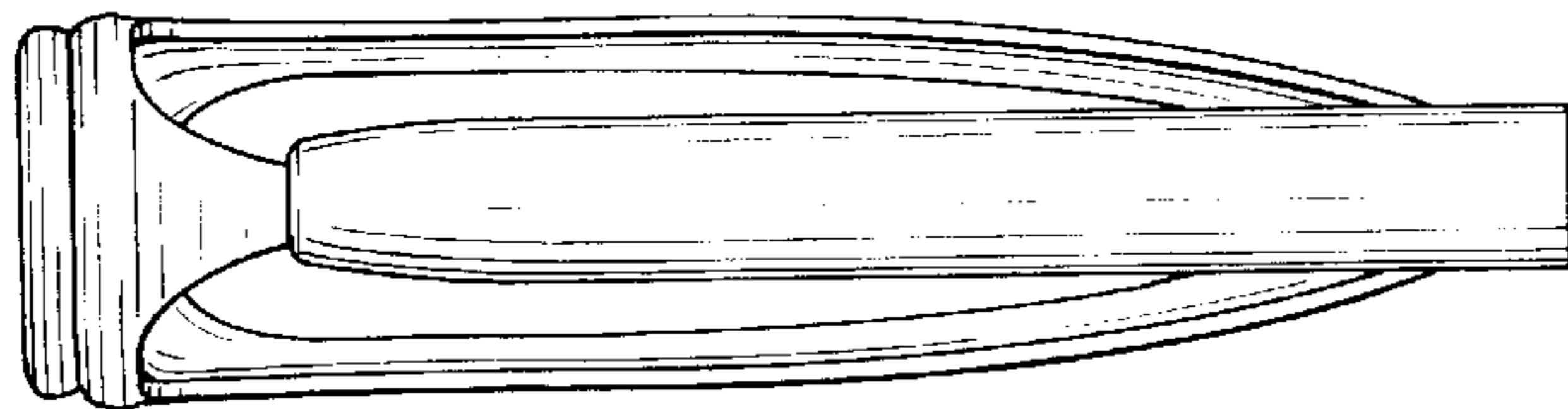


FIG. 3

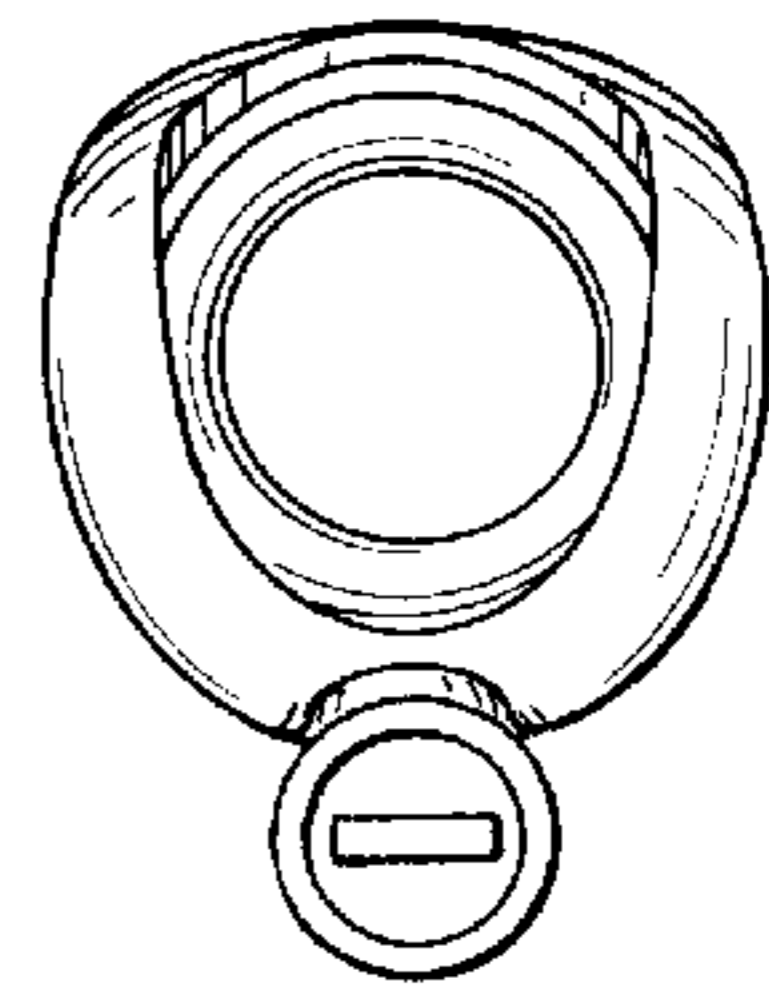


FIG. 5

