



US00D410721S

United States Patent [19]

Trapp et al.

[11] Patent Number: **Des. 410,721**

[45] Date of Patent: **** Jun. 8, 1999**

[54] **PUTT RAIL**

D. 372,289 7/1996 Whittaker D21/791
1,545,648 7/1925 Fletcher D21/791 X

[76] Inventors: **Walter R. Trapp**, 900 E. Fourth St.,
Tuscumbia, Ala. 35674; **Kenneth D. Cakebread**, 9996 Clemmons Rd.;
Thomas F. Pebworth, Jr., 941
Willingham Rd., both of Florence, Ala.
35630

Primary Examiner—Mitchell I. Siegel
Attorney, Agent, or Firm—I. C. Waddey, Jr.; Waddey &
Patterson

[**] Term: **14 Years**

[57] **CLAIM**

The ornamental design for a putt rail, as shown and described.

[21] Appl. No.: **29/081,298**

DESCRIPTION

[22] Filed: **Dec. 29, 1997**

FIG. 1 is a front perspective view showing the putt rail of applicants' invention.

[51] **LOC (6) Cl.** **21-02**

FIG. 2 is a back elevation of the putt rail of applicants' invention.

[52] **U.S. Cl.** **D21/791**

[58] **Field of Search** D21/789, 791;
473/251-255; D6/370, 355, 357

FIG. 3 is a front elevation of the putt rail of applicants' invention.

FIG. 4 is a top view of the putt rail of applicants' invention.

FIG. 5 is a bottom view of the putt rail of applicants' invention; and,

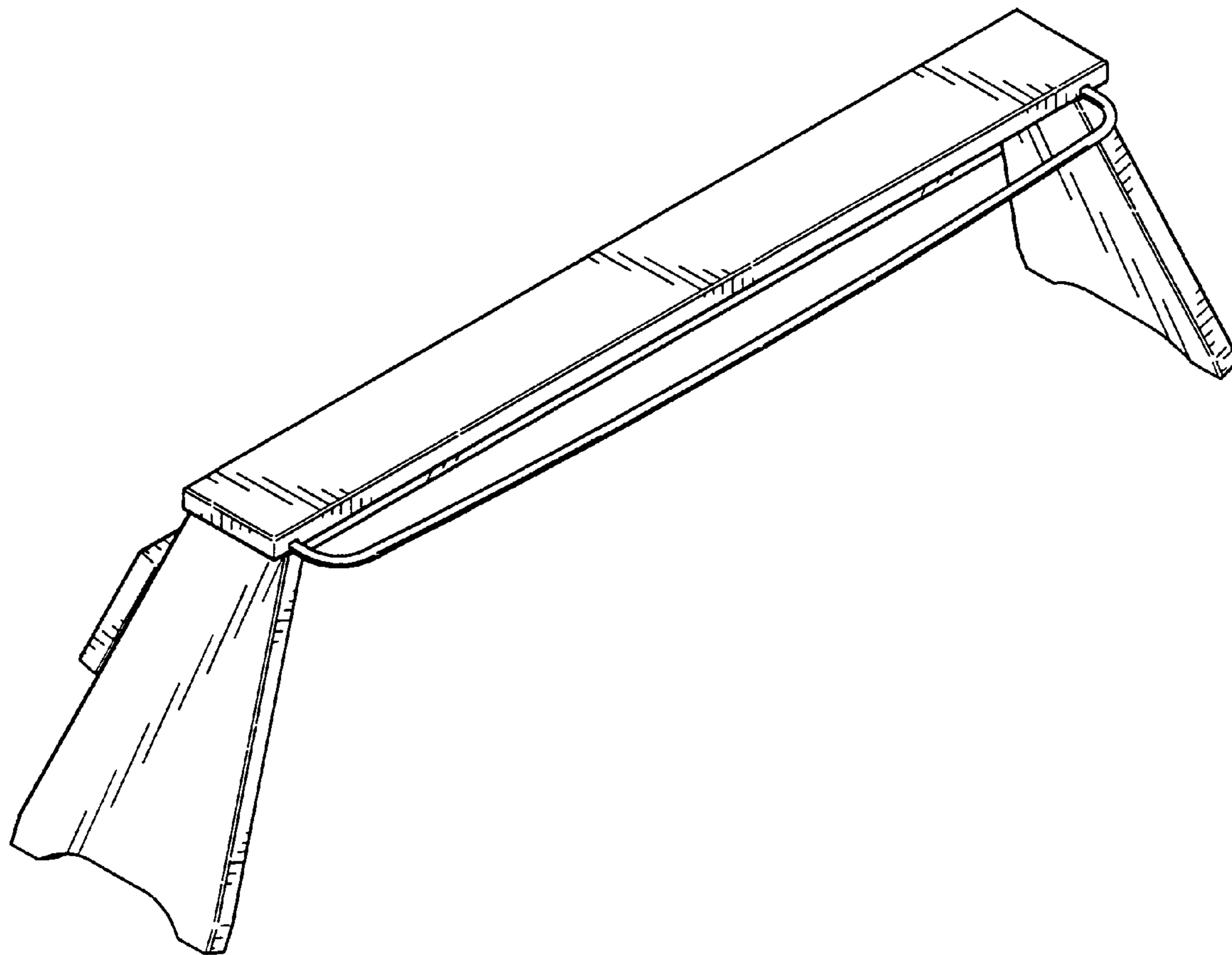
FIG. 6 is a side view of the putt rail of applicants' invention.

[56] **References Cited**

U.S. PATENT DOCUMENTS

D. 211,376 6/1968 Chidester D21/791
D. 332,817 1/1993 Mullen D21/791
D. 349,547 8/1994 Whittaker D21/791

1 Claim, 3 Drawing Sheets



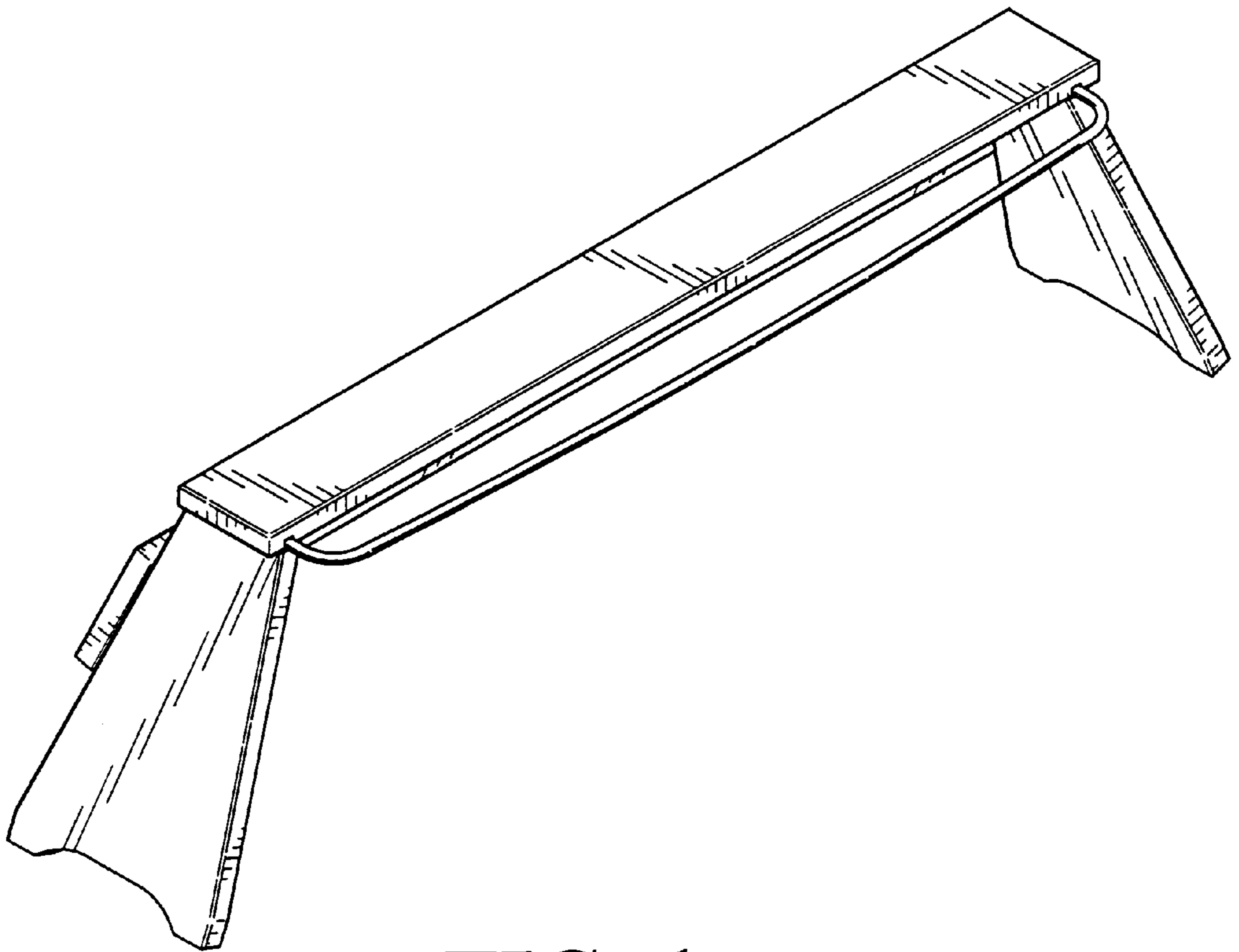


FIG. 1

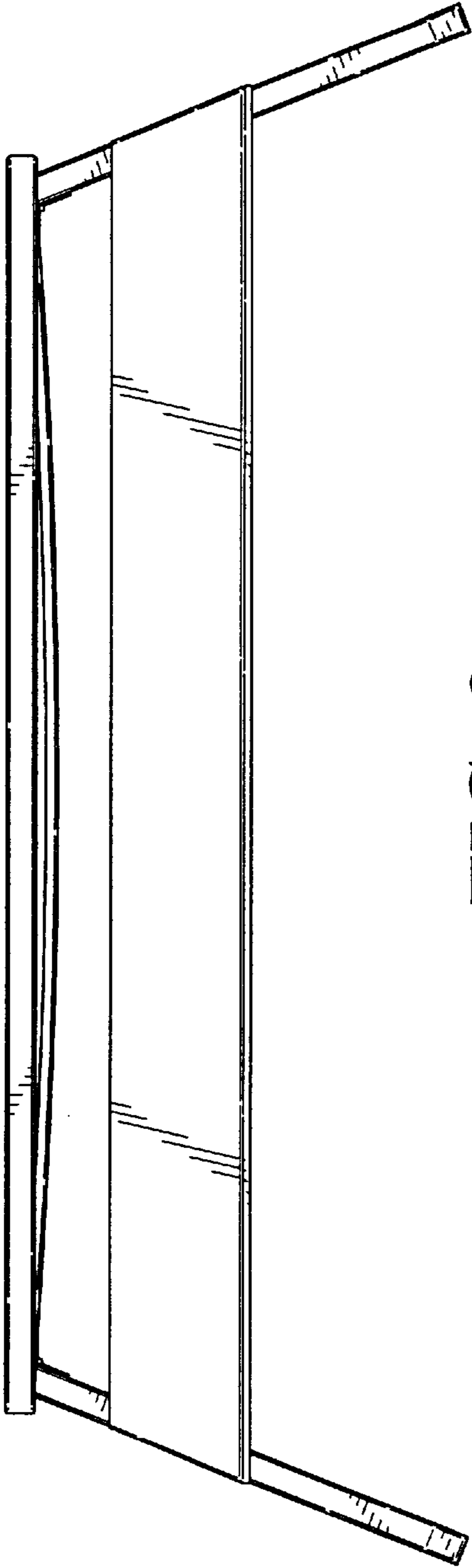


FIG. 2

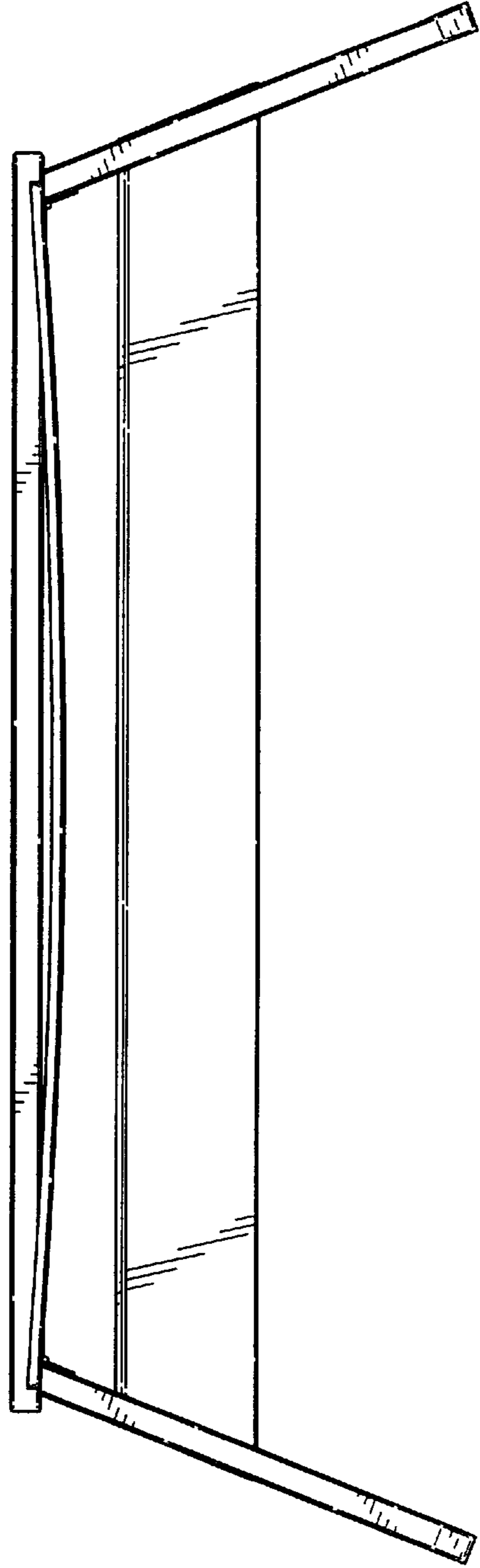


FIG. 3

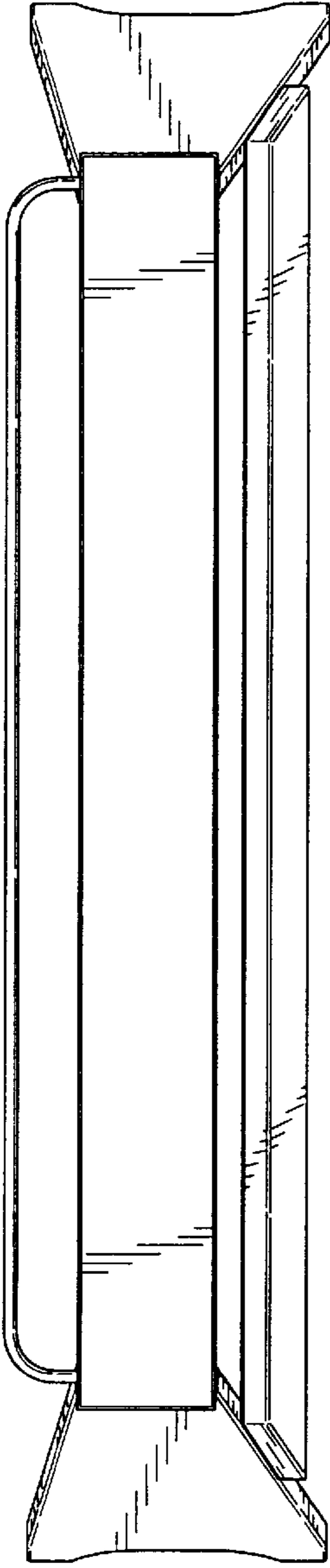


FIG. 4

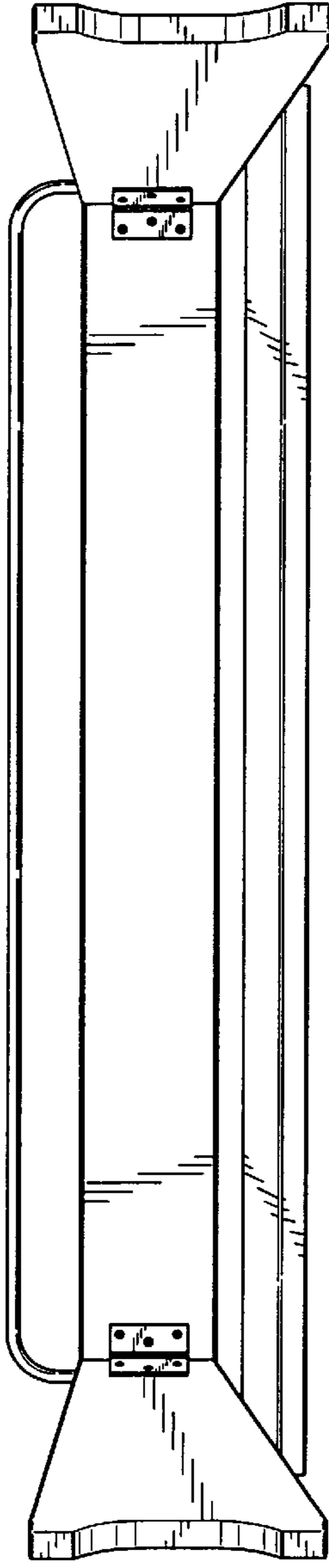


FIG. 5

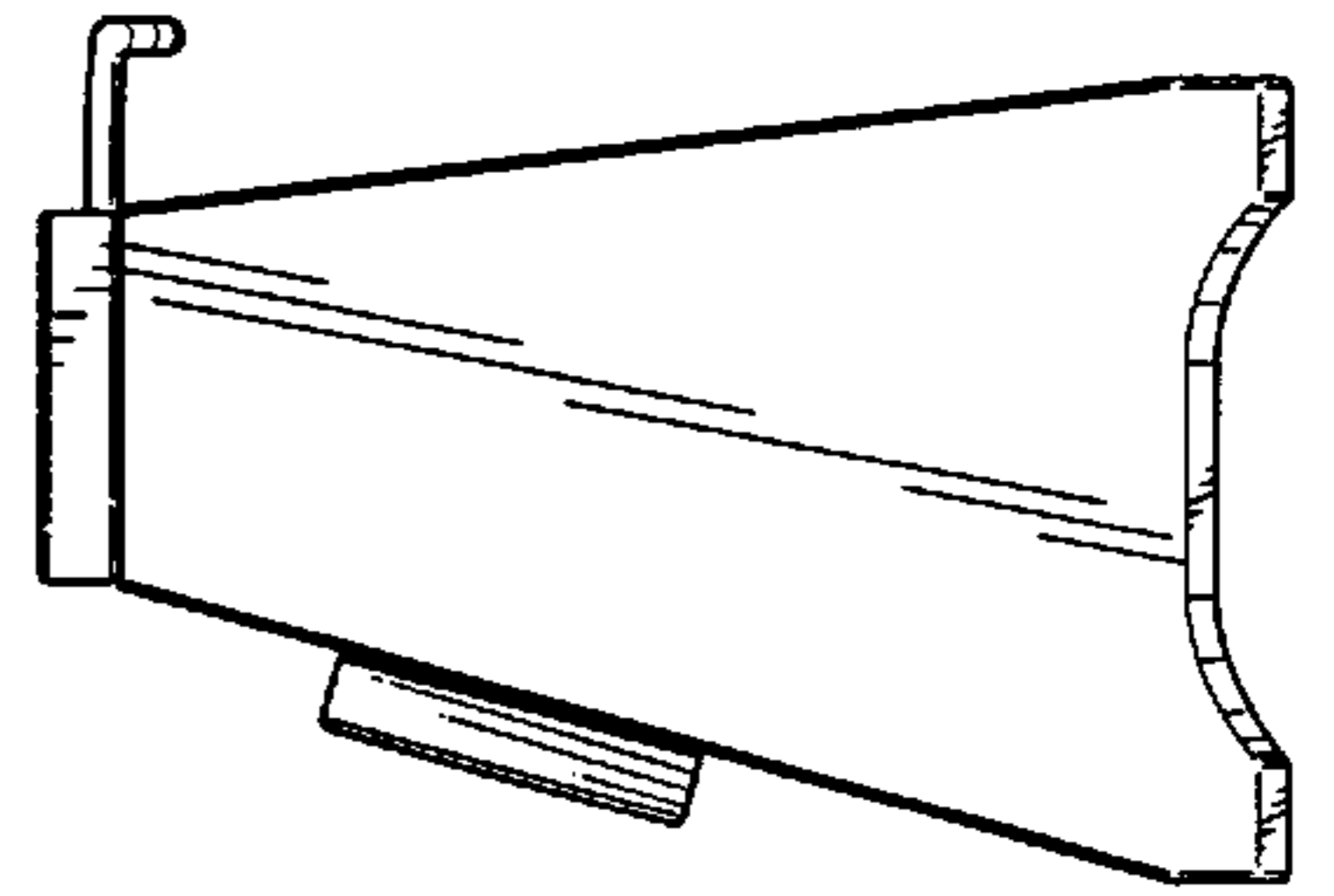


FIG. 6