



US00D410719S

United States Patent [19]

Rollinson et al.

[11] Patent Number: **Des. 410,719**

[45] Date of Patent: **** Jun. 8, 1999**

[54] **BACK SURFACE FOR AN IRON-TYPE GOLF CLUB HEAD**

[75] Inventors: **Augustin W. Rollinson; Roger C. Cleveland; Thomas R. Hilton; Kevin L. Napolitano**, all of Carlsbad, Calif.

[73] Assignee: **Callaway Golf Company**, Carlsbad, Calif.

[**] Term: **14 Years**

[21] Appl. No.: **29/079,337**

[22] Filed: **Nov. 12, 1997**

[51] **LOC (6) Cl.** **21-02**

[52] **U.S. Cl.** **D21/753**

[58] **Field of Search** D21/217, 219, D21/220, 221; 473/350, 324, 327

[56] **References Cited**

U.S. PATENT DOCUMENTS

D. 347,254	5/1994	Inuma .	
D. 353,644	12/1994	Hirsch et al. .	
D. 354,786	1/1995	Manning et al. .	
D. 360,445	7/1995	Schmidt et al.	D21/220
D. 362,041	9/1995	Takahashi et al.	D21/220
D. 366,082	1/1996	Dekura .	
D. 373,161	8/1996	Schmidt et al.	D21/219

D. 383,512	9/1997	Schmidt et al.	D21/219
D. 383,819	9/1997	Takahashi et al.	D21/220
D. 386,550	11/1997	Wright et al.	D21/221
D. 386,551	11/1997	Solheim et al.	D21/221
D. 387,405	12/1997	Solheim et al.	D21/221
5,120,062	6/1992	Scheie et al. .	
5,333,872	8/1994	Manning et al. .	
5,375,840	12/1994	Hirsch et al. .	
5,423,546	6/1995	Manning et al. .	
5,497,995	3/1996	Swisshelm .	
5,547,194	8/1996	Aizawa et al. .	
5,595,552	1/1997	Wright et al. .	

OTHER PUBLICATIONS

Ben Hogan Precision Club Fitting System Brochure for Medallion Metal Woods (Color).

Primary Examiner—Mitchell I. Siegel
Attorney, Agent, or Firm—Lyon & Lyon LLP

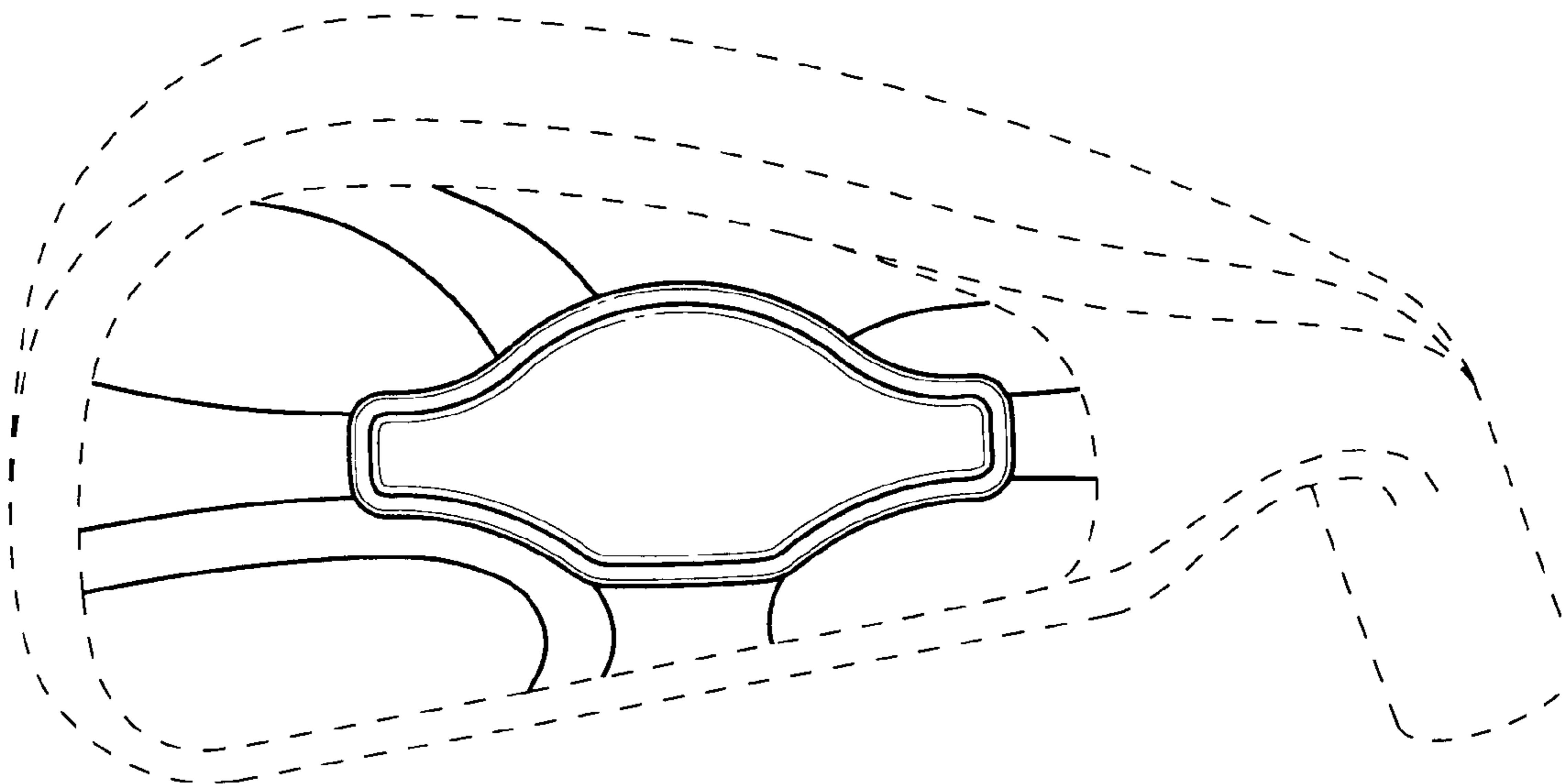
[57] **CLAIM**

The ornamental design for a back surface of an iron-type golf club head, as shown and described.

DESCRIPTION

FIG. 1 is a rear elevational view of a back surface of an iron-type golf club head of the present invention, the broken lines are for illustrative purposes only and form no part of the claimed design.

1 Claim, 1 Drawing Sheet



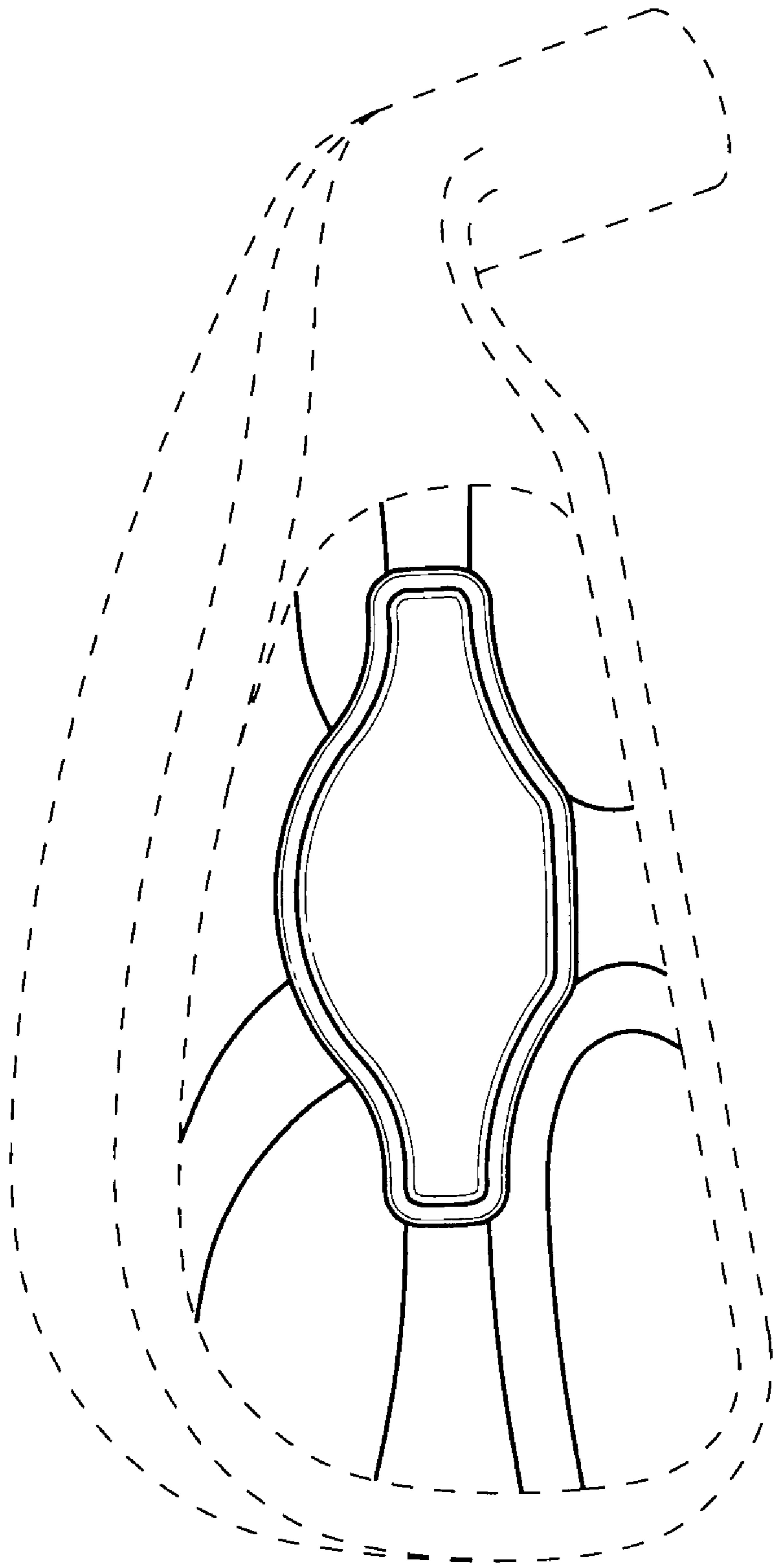


FIG. 1

UNITED STATES PATENT AND TRADEMARK OFFICE
CERTIFICATE OF CORRECTION

Page/of 3

PATENT NO. : Des. 410,719

DATED : June 8, 1999

INVENTOR(S) : Augustin W. Rollinson et al

It is certified that error appears in the above-identified patent and that said Letters Patent is hereby corrected as shown below:

The title page, showing the illustrative figure should be deleted to be replaced with the attached title page.

The sheet of drawing consisting of Figure 1, should be deleted to be replaced with the corrected Figure 1, as shown on the attached page.

Signed and Sealed this
Seventh Day of March, 2000



Q. TODD DICKINSON

Commissioner of Patents and Trademarks

Attest:

Attesting Officer

United States Patent [19]
Rollinson et al.

[11] **Patent Number: Des. 410,719**
 [45] **Date of Patent: ** Jun. 8, 1999**

[54] **BACK SURFACE FOR AN IRON-TYPE GOLF CLUB HEAD**

[75] **Inventors: Augustin W. Rollinson; Roger C. Cleveland; Thomas R. Hilton; Kevin L. Napolitano, all of Carlsbad, Calif.**

[73] **Assignee: Callaway Golf Company, Carlsbad, Calif.**

[**] **Term: 14 Years**

[21] **Appl. No.: 29/079,337**

[22] **Filed: Nov. 12, 1997**

[51] **LOC (6) Cl. 21-02**

[52] **U.S. Cl. D21/753**

[58] **Field of Search D21/217, 219, D21/220, 221; 473/350, 324, 327**

[56] **References Cited**

U.S. PATENT DOCUMENTS

- D. 347,254 5/1994 Inuma .
- D. 353,644 12/1994 Hirsch et al. .
- D. 354,786 1/1995 Manning et al. .
- D. 360,445 7/1995 Schmidt et al. D21/220
- D. 362,041 9/1995 Takahashi et al. D21/220
- D. 366,082 1/1996 Dekura .
- D. 373,161 8/1996 Schmidt et al. D21/219

- D. 383,512 9/1997 Schmidt et al. D21/219
- D. 383,819 9/1997 Takahashi et al. D21/220
- D. 386,550 11/1997 Wright et al. D21/221
- D. 386,551 11/1997 Solheim et al. D21/221
- D. 387,405 12/1997 Solheim et al. D21/221
- 5,120,062 6/1992 Scheie et al. .
- 5,333,872 8/1994 Manning et al. .
- 5,375,840 12/1994 Hirsch et al. .
- 5,423,546 6/1995 Manning et al. .
- 5,497,995 3/1996 Swisshelm .
- 5,547,194 8/1996 Aizawa et al. .
- 5,595,552 1/1997 Wright et al. .

OTHER PUBLICATIONS

Ben Hogan Precision Club Fitting System Brochure for Medallion Metal Woods (Color).

Primary Examiner—Mitchell I. Siegel
Attorney, Agent, or Firm—Lyon & Lyon LLP

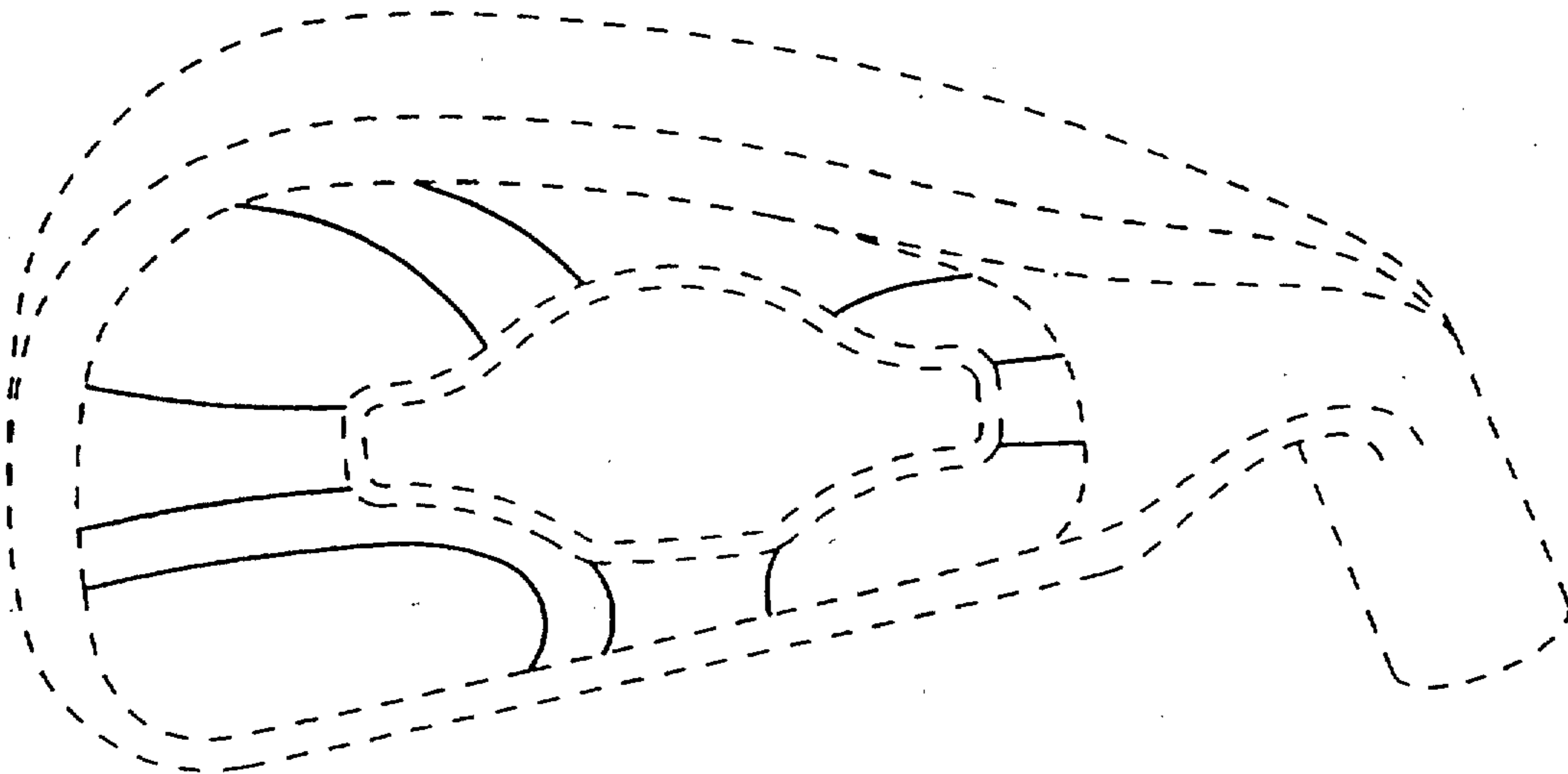
[57] **CLAIM**

The ornamental design for a back surface of an iron-type golf club head, as shown and described.

DESCRIPTION

FIG. 1 is a rear elevational view of a back surface of an iron-type golf club head of the present invention, the broken lines are for illustrative purposes only and form no part of the claimed design.

1 Claim, 1 Drawing Sheet



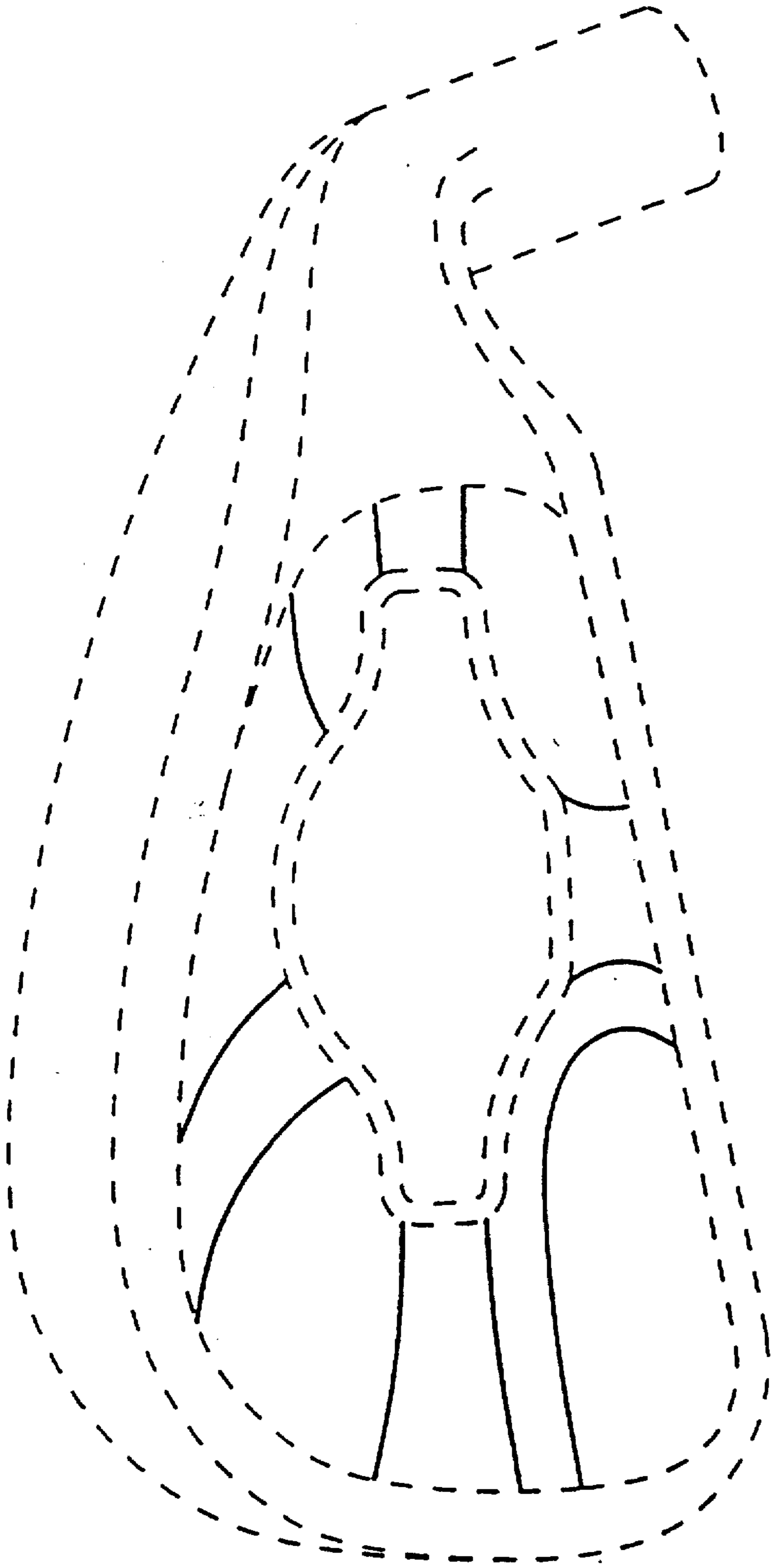


FIG. 1