



US00D410718S

United States Patent [19] Christensen

[11] Patent Number: **Des. 410,718**

[45] Date of Patent: **** *Jun. 8, 1999**

[54] **INSERT GOLF PUTTER HEAD**

[76] Inventor: **Brent Christensen**, 15235 NE. 92nd St., Redmond, Wash. 98052-3518

[*] Notice: This patent is subject to a terminal disclaimer.

[**] Term: **14 Years**

[21] Appl. No.: **29/090,602**

[22] Filed: **Jul. 13, 1998**

[51] **LOC (6) Cl.** **21-02**

[52] **U.S. Cl.** **D21/744**

[58] **Field of Search** D21/736-746;
473/324, 327, 328, 340, 341, 251-256

[56] **References Cited**

U.S. PATENT DOCUMENTS

D. 235,272	6/1975	Quast	D21/741
D. 240,643	7/1976	Manfrin	D21/738
D. 271,783	12/1983	Simmons	D21/736
D. 354,785	1/1995	Luks	D21/741
D. 368,126	3/1996	Magerman et al.	D21/219
D. 381,727	7/1997	Griffin	D21/741
D. 392,009	3/1998	Maltby	D21/742
4,618,149	10/1986	Maxel	273/79
4,679,792	7/1987	Straza et al.	273/78
4,884,808	12/1989	Retzer	273/77
5,016,882	5/1991	Fujimura et al.	473/341

5,458,332	10/1995	Fisher	273/78
5,485,997	1/1996	Schmidt et al.	273/78
5,718,644	2/1998	Donofrio	473/340

OTHER PUBLICATIONS

Maxfli brochure; p. 6; putters, 1997.

Primary Examiner—Mitchell I Siegel
Attorney, Agent, or Firm—Dean A. Craine

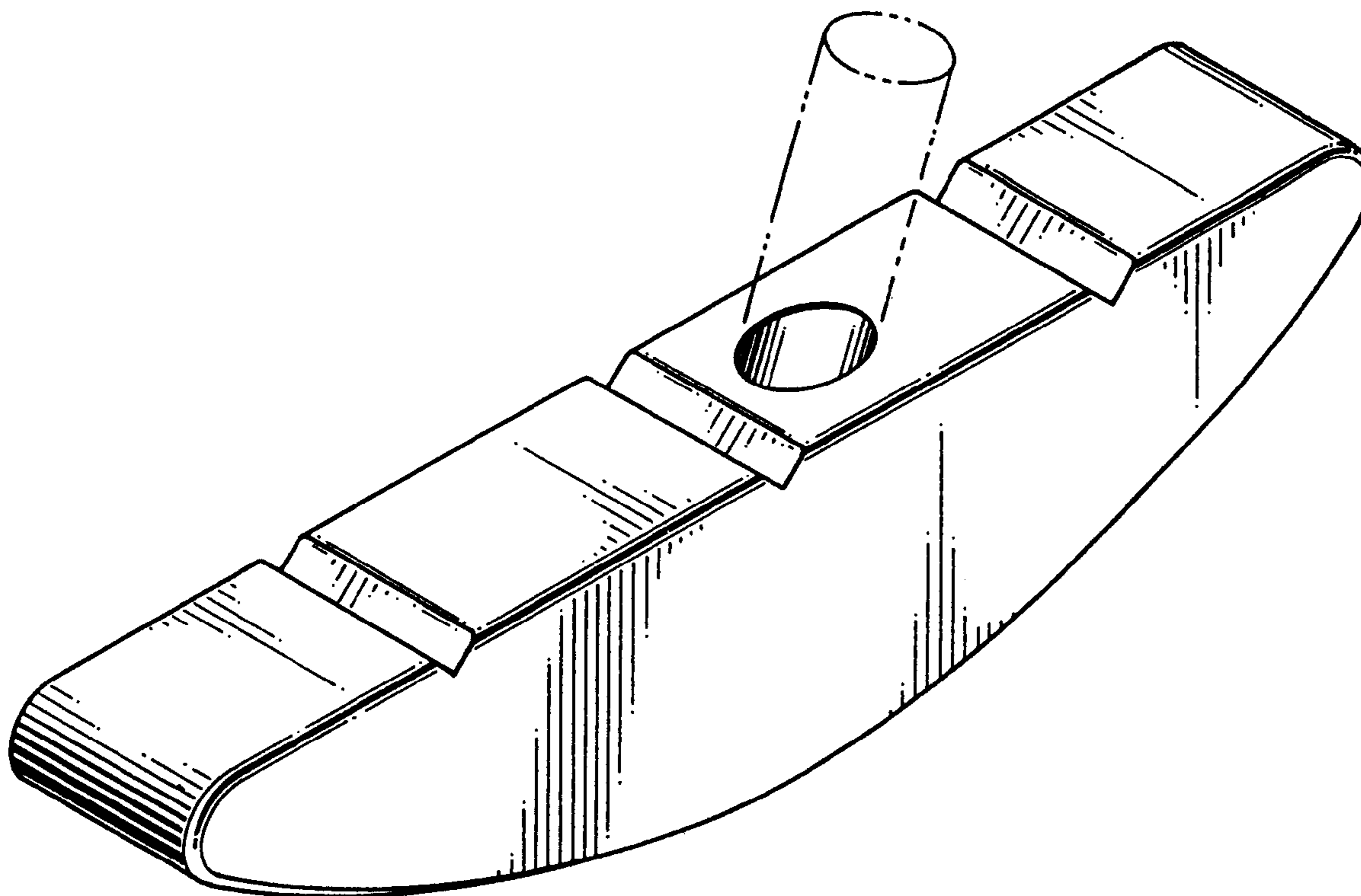
[57] **CLAIM**

The ornamental design for an insert golf putter head, as shown and described.

DESCRIPTION

FIG. 1 is a perspective view of the insert golf putter head. FIG. 2 is a right side elevational view of the insert golf putter head. FIG. 3 is a left side elevational view of the insert golf putter head. FIG. 4 is a rear elevational view of the insert golf putter head. FIG. 5 is a front elevational view of the insert golf putter head. FIG. 6 is a top plan view of the insert golf putter head; and, FIG. 7 is a bottom plan view of the insert golf putter head. The broken line showing of a fragmented shaft is for illustrative purposes only and forms no part of the claimed design.

1 Claim, 1 Drawing Sheet



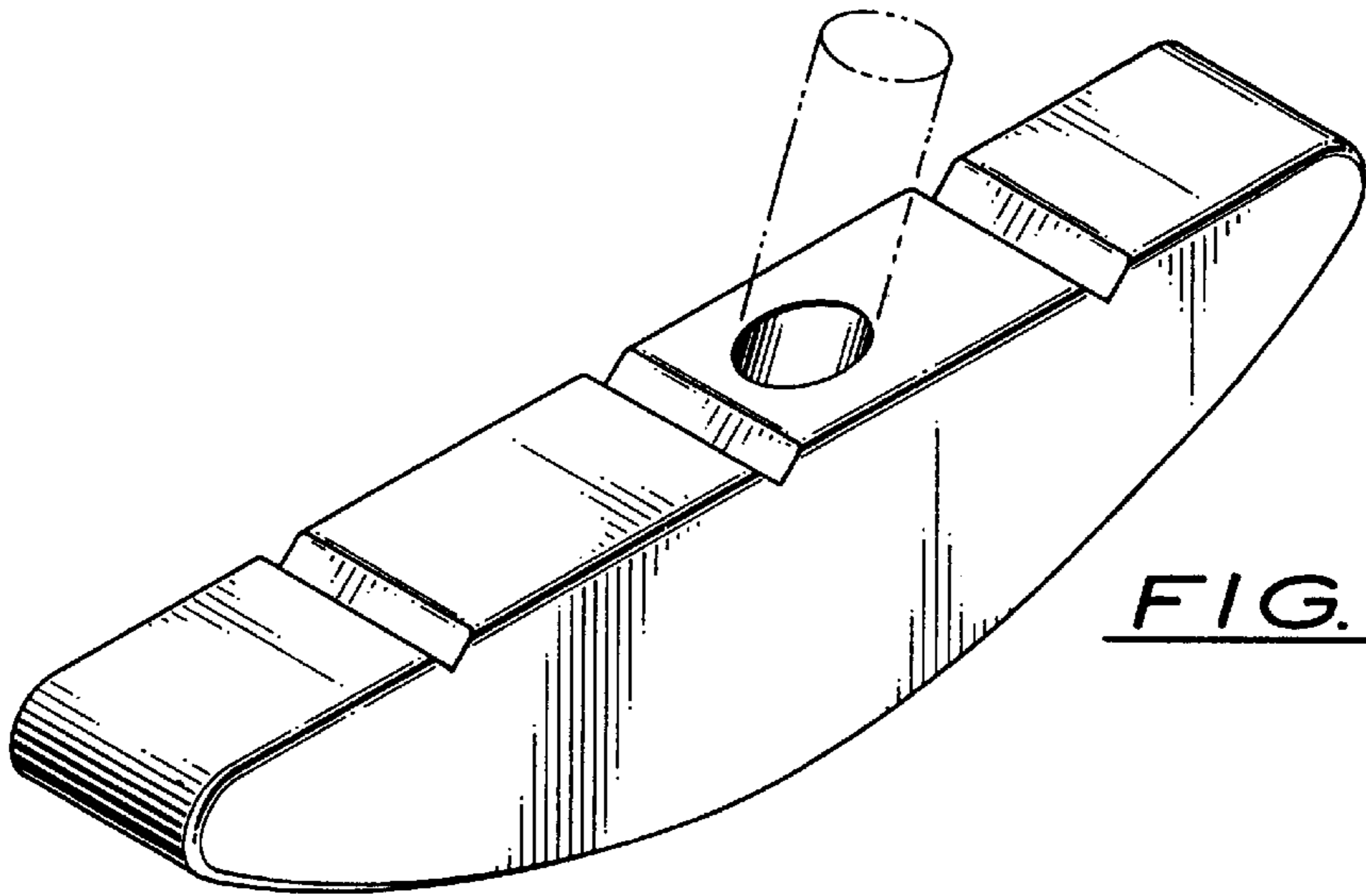


FIG. 1

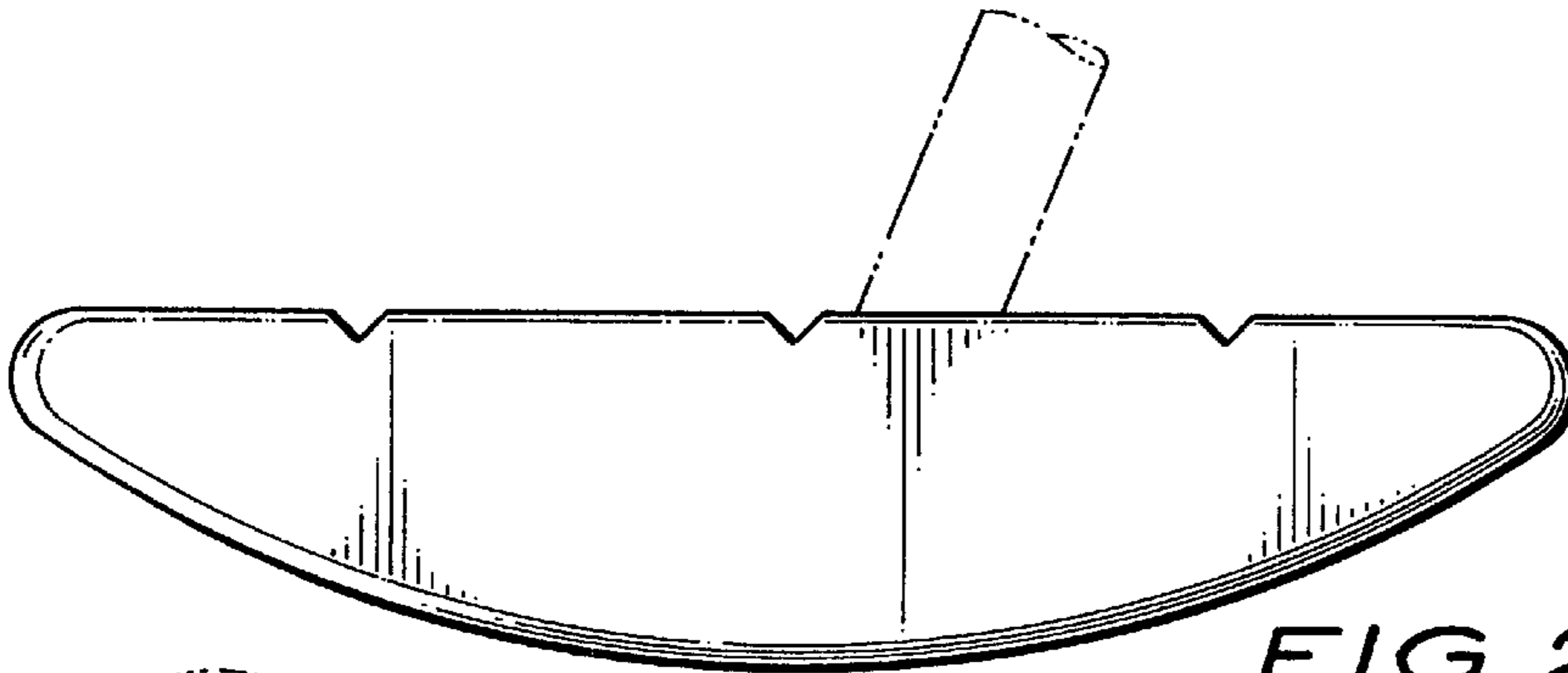


FIG. 2

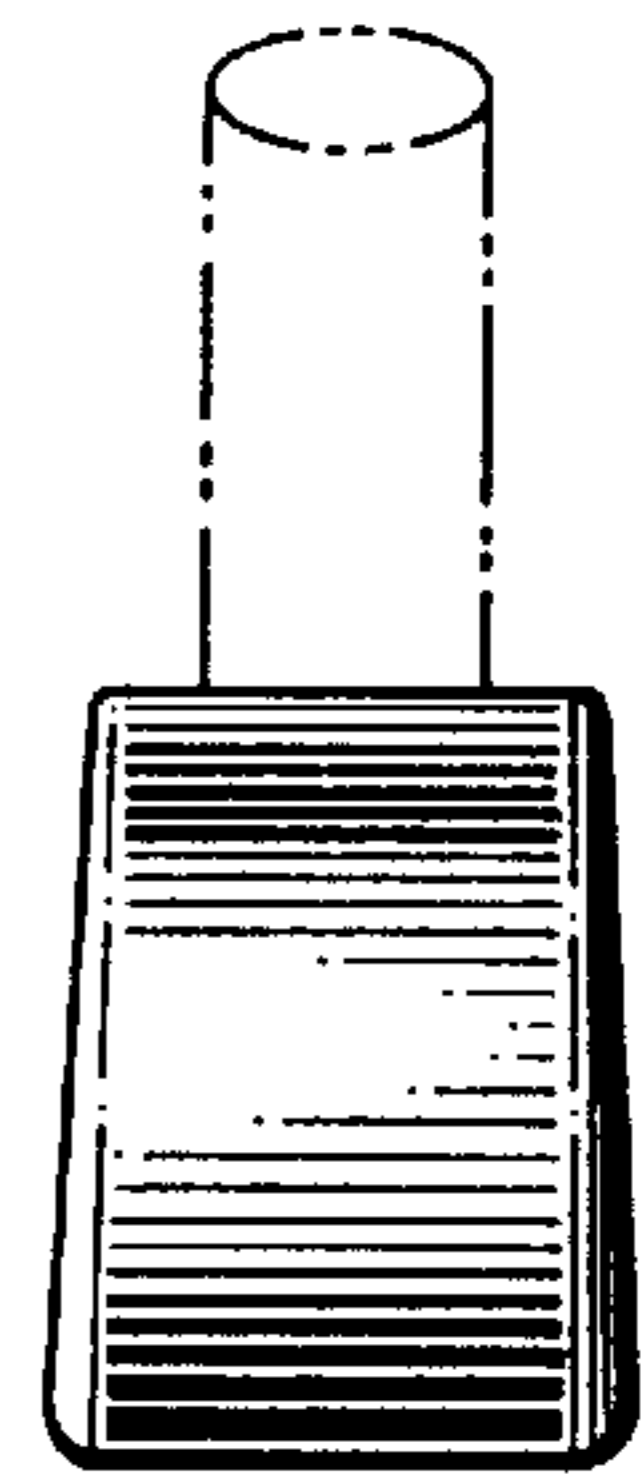


FIG. 4

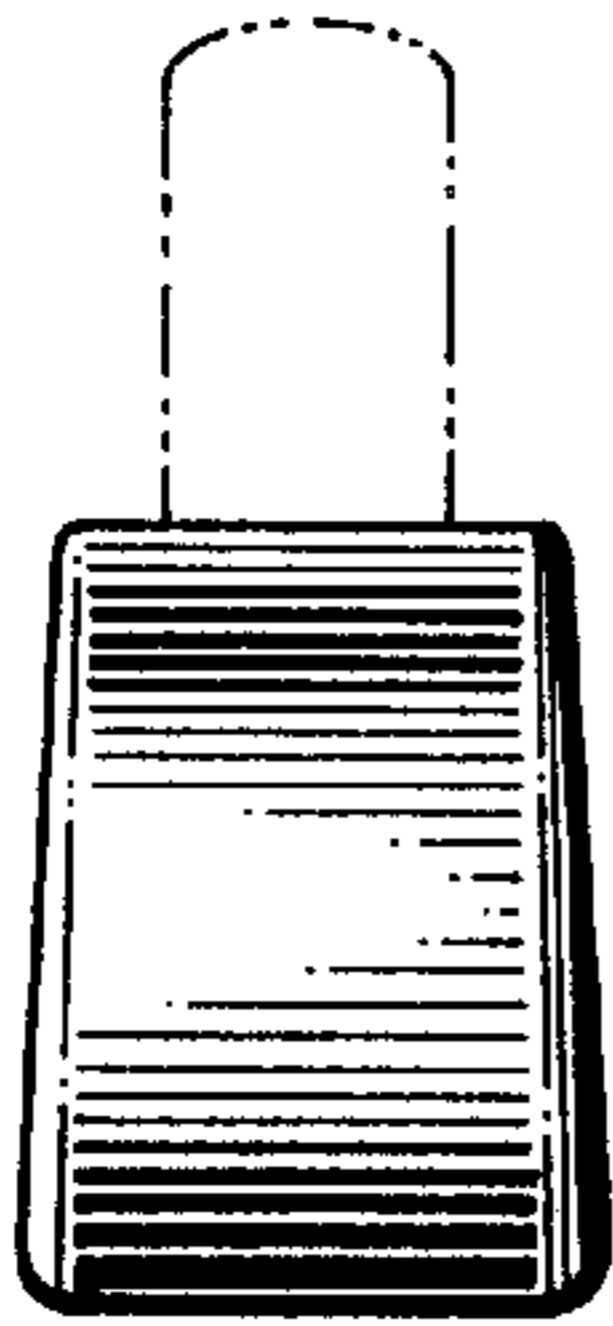


FIG. 5

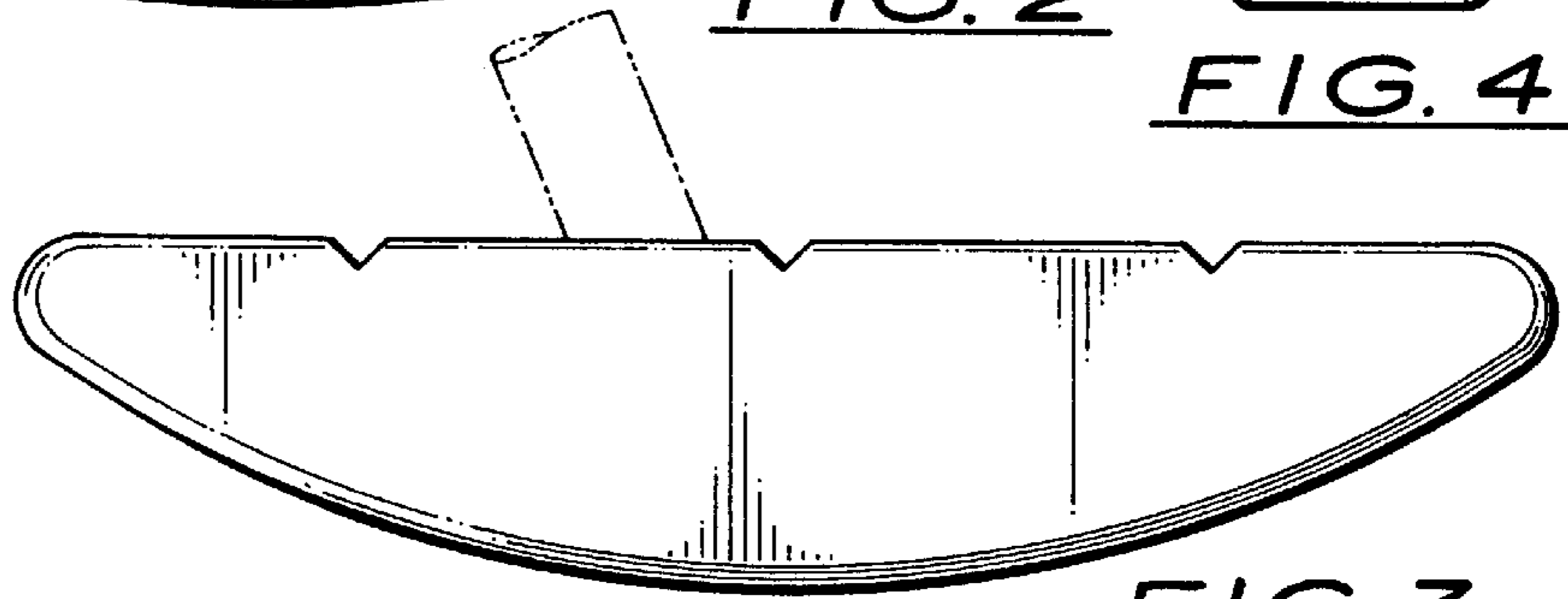


FIG. 3

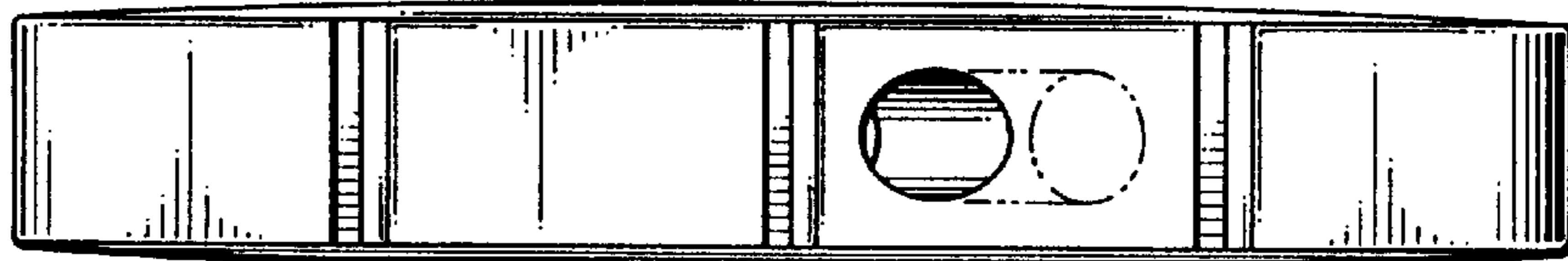


FIG. 6

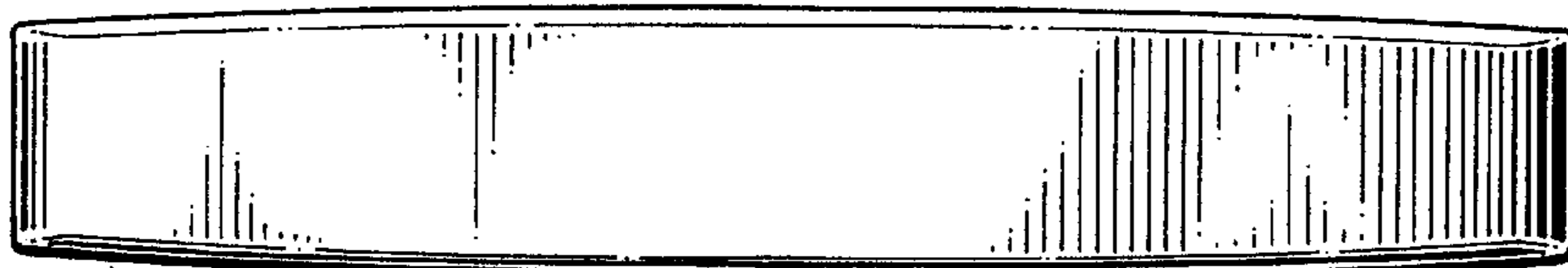


FIG. 7