



US00D410717S

United States Patent [19]
Anderson

[11] **Patent Number: Des. 410,717**
[45] **Date of Patent: ** Jun. 8, 1999**

[54] **GOLF PUTTER HEAD**

[75] Inventor: **Douglas W. Anderson**, Glendale, Ariz.

[73] Assignee: **Karsten Manufacturing Corporation**, Phoenix, Ariz.

[**] Term: **14 Years**

[21] Appl. No.: **29/082,539**

[22] Filed: **Jan. 26, 1998**

[51] **LOC (6) Cl.** **21-02**

[52] **U.S. Cl.** **D21/738; D21/744**

[58] **Field of Search** **D21/736-746;**
473/251-256, 340, 341

[56] **References Cited**

U.S. PATENT DOCUMENTS

D. 247,791	4/1978	Monteleone	D34/5 GH
D. 255,373	6/1980	Solheim	D21/219
D. 263,614	3/1982	Solheim	D21/217
D. 266,016	8/1982	Sanna	D21/217
D. 283,039	3/1986	Solheim	D21/219
D. 341,405	11/1993	Solheim	D21/219
D. 356,613	3/1995	Adams	D21/217
D. 389,539	1/1998	Moore	D21/739
D. 391,612	3/1998	Moore	D21/745

Primary Examiner—Mitchell I Siegel
Attorney, Agent, or Firm—Darrell F. Marquette

[57] **CLAIM**

The ornamental design for a golf putter head, as shown and described.

DESCRIPTION

FIG. 1 is a perspective view of a golf putter head showing our new design;

FIG. 2 is a top plan view of the golf putter head shown in FIG. 1;

FIG. 3 is a bottom view of the golf putter head shown in FIG. 1;

FIG. 4 is a toe end view of the golf putter head shown in FIG. 1;

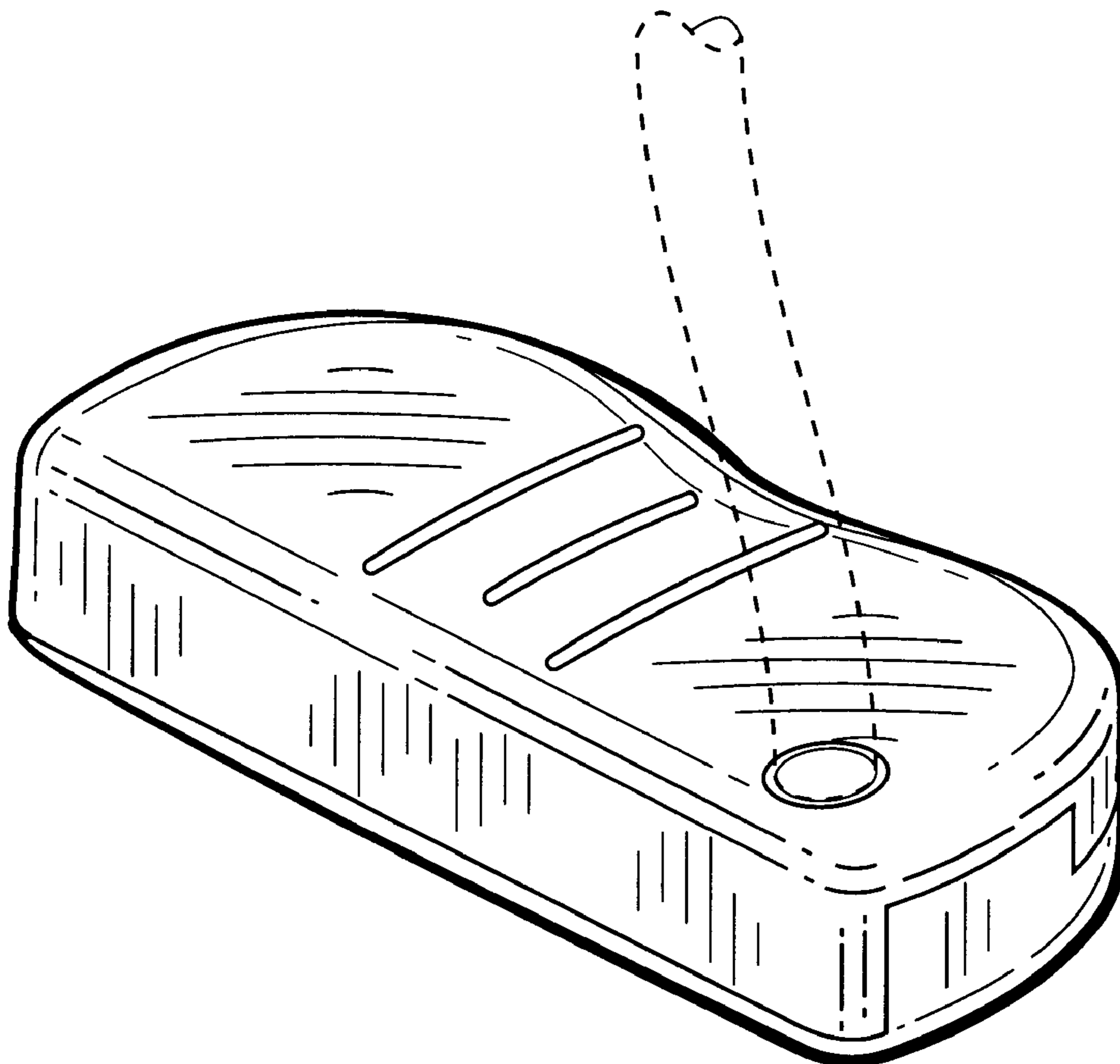
FIG. 5 is a heel end view of the golf putter head shown in FIG. 1;

FIG. 6 is a front elevational view of the golf putter head shown in FIG. 1; and,

FIG. 7 is a rear elevational view of the golf putter head shown in FIG. 1.

The broken lines in FIG. 1 showing a shaft portion are for illustrative purposes only and form no part of the claimed design.

1 Claim, 2 Drawing Sheets



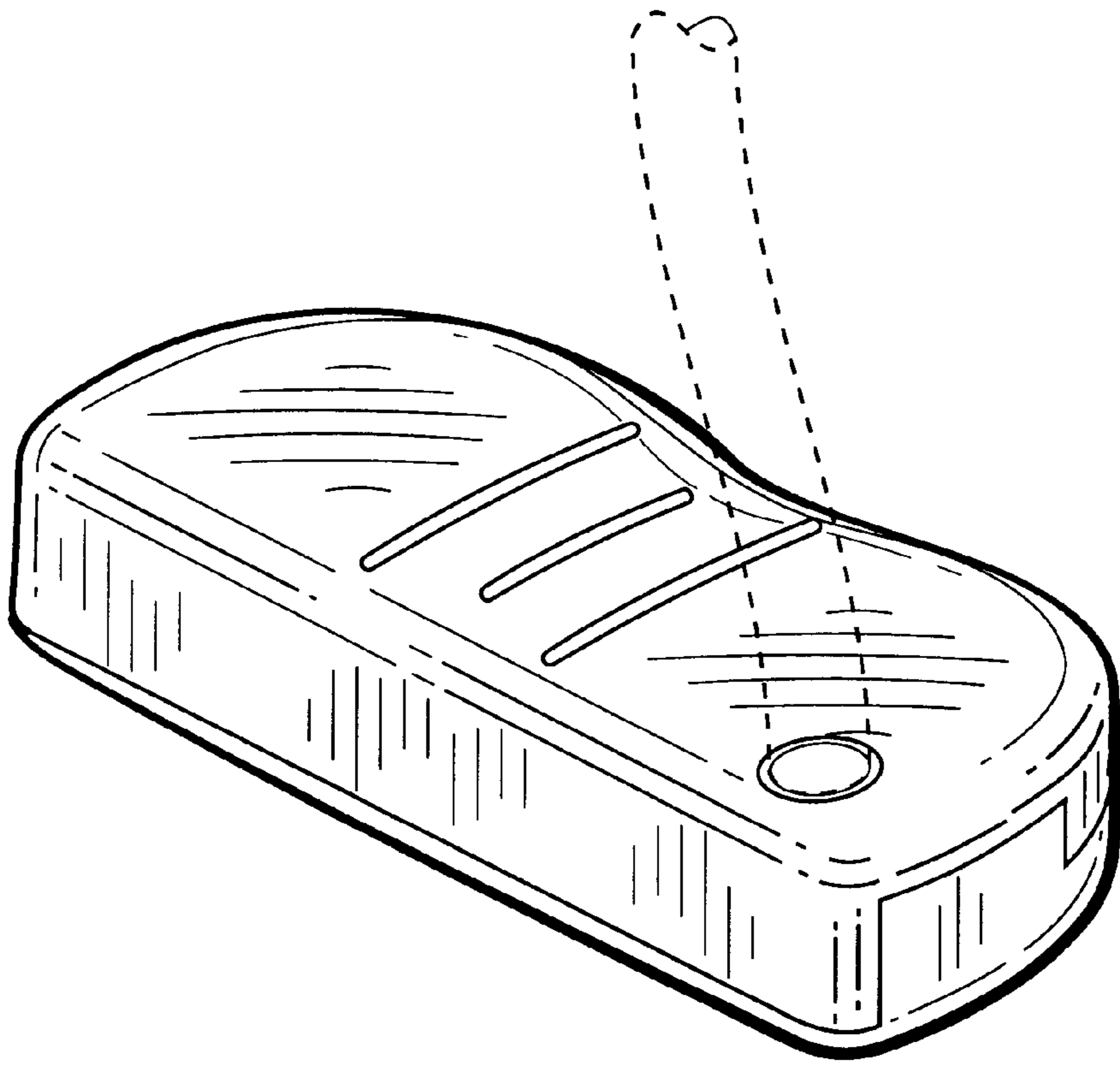


Fig. 1

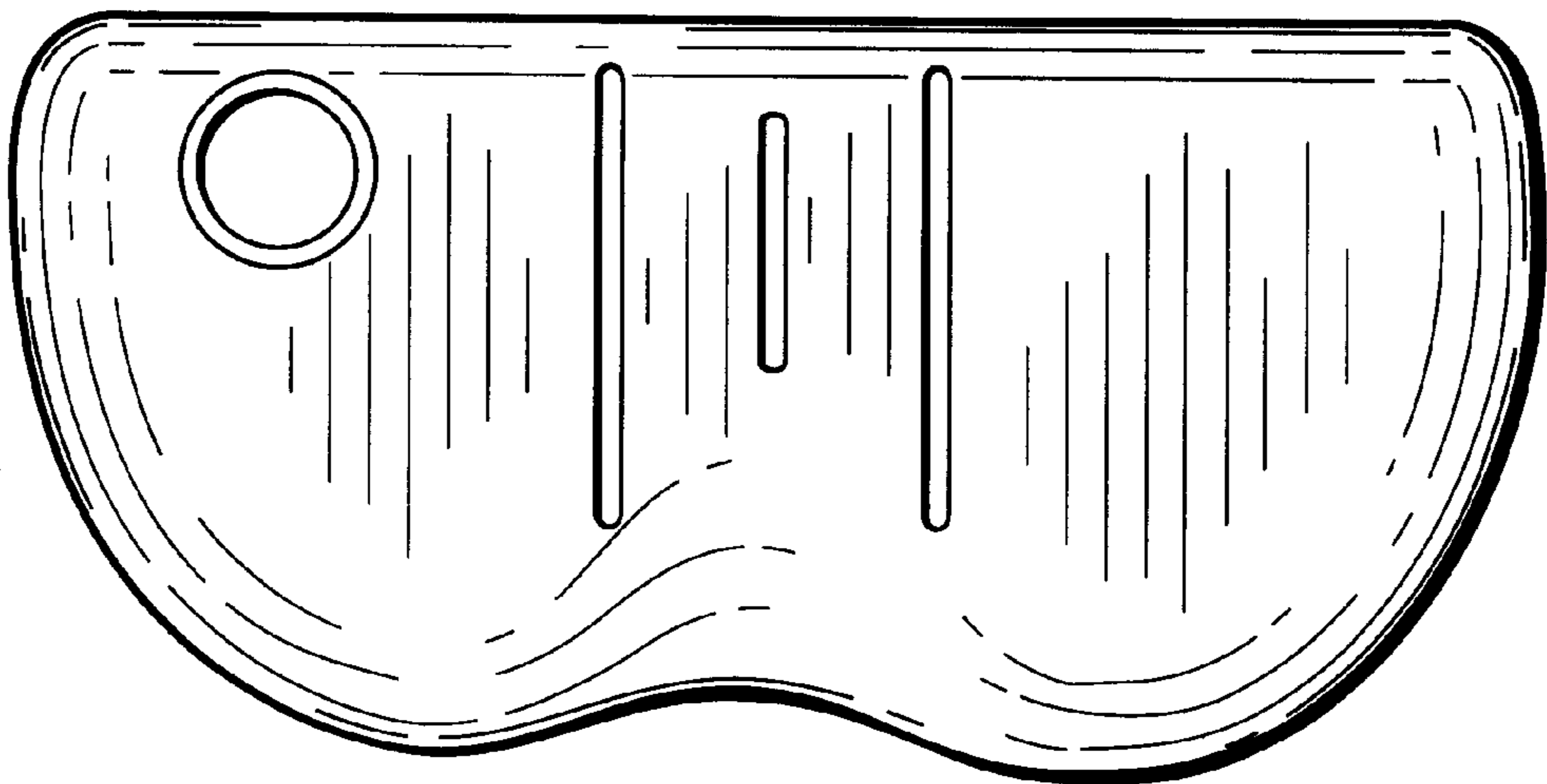


Fig. 2

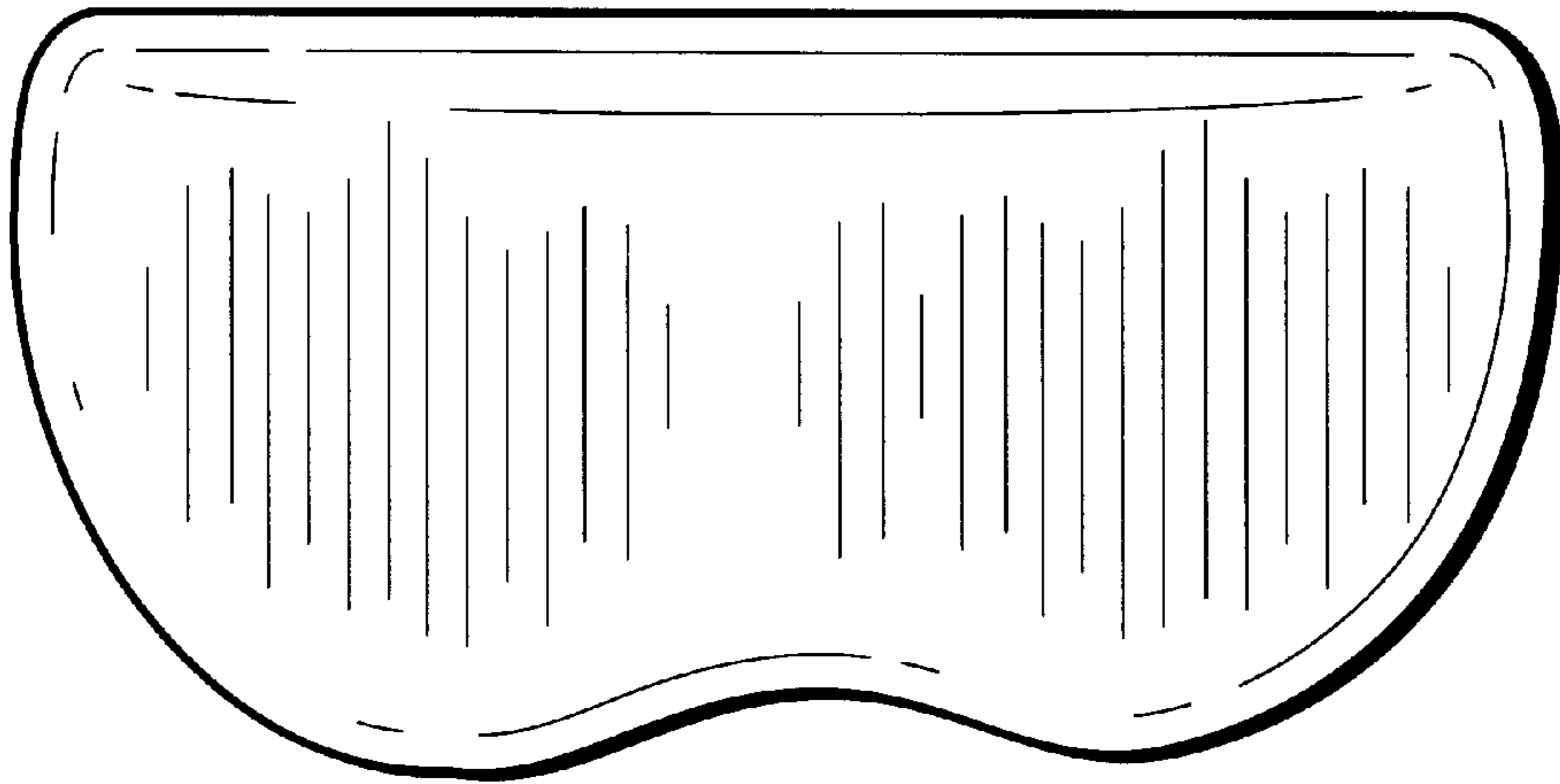


Fig.3

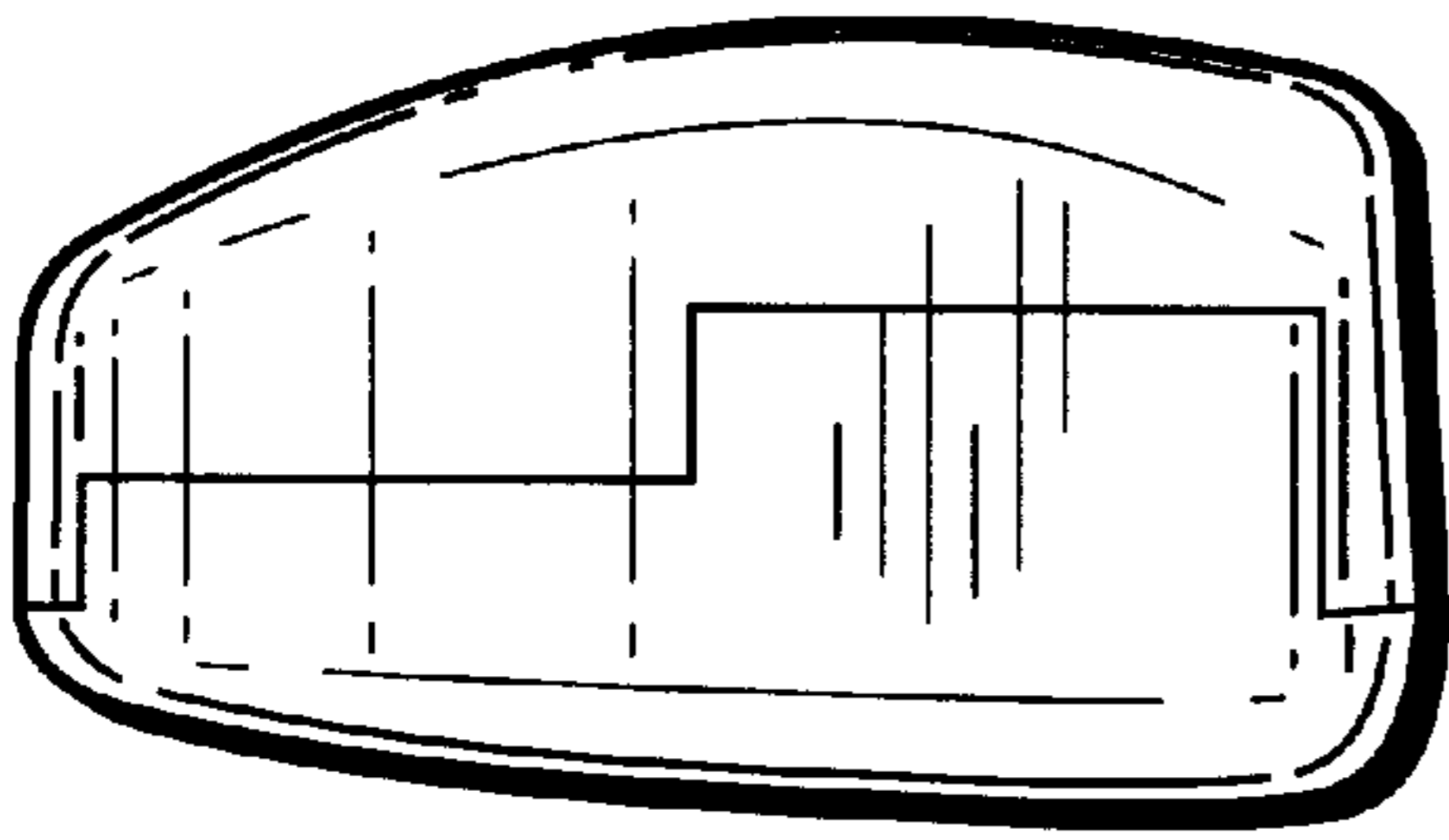


Fig.4

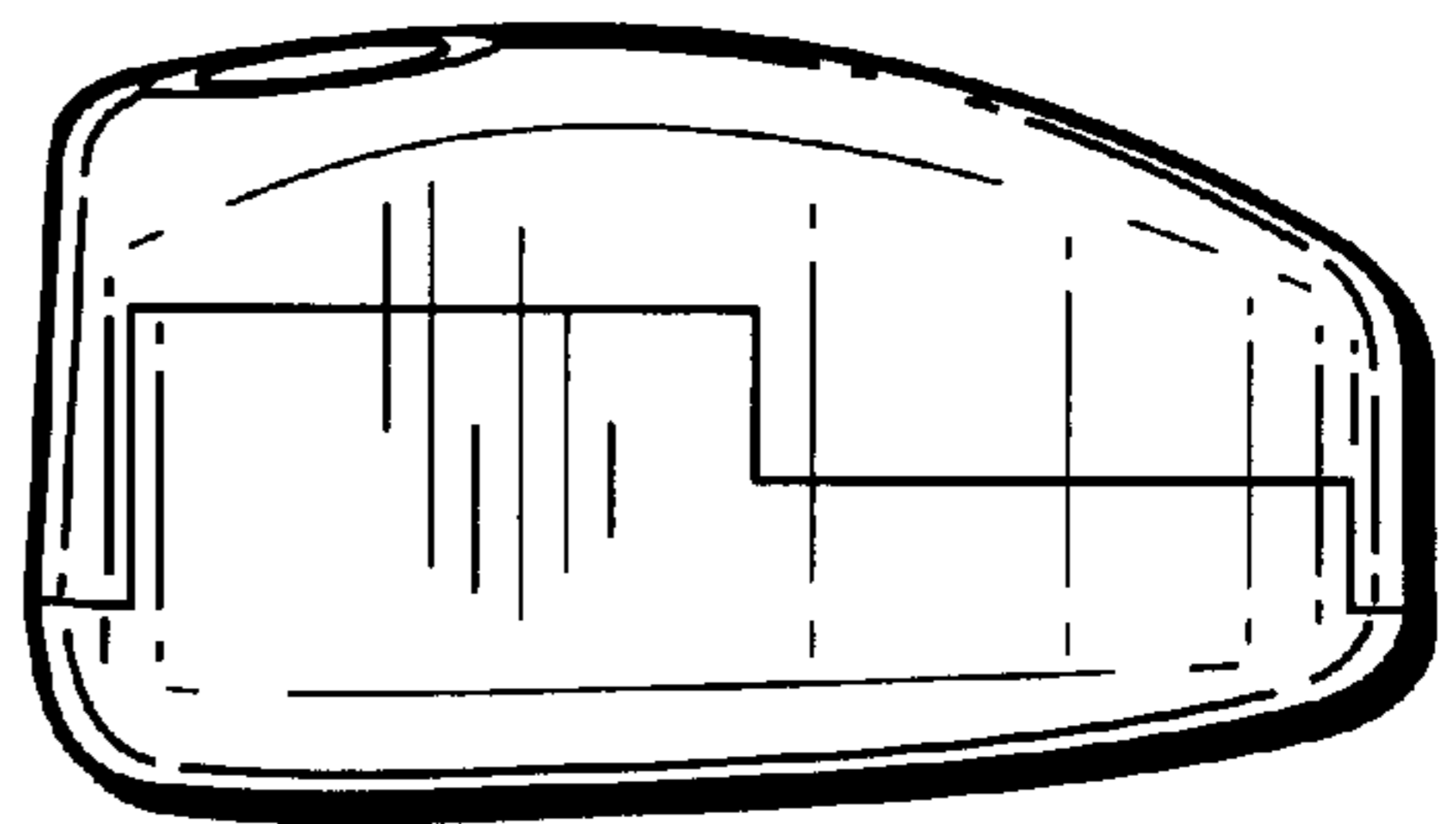


Fig.5

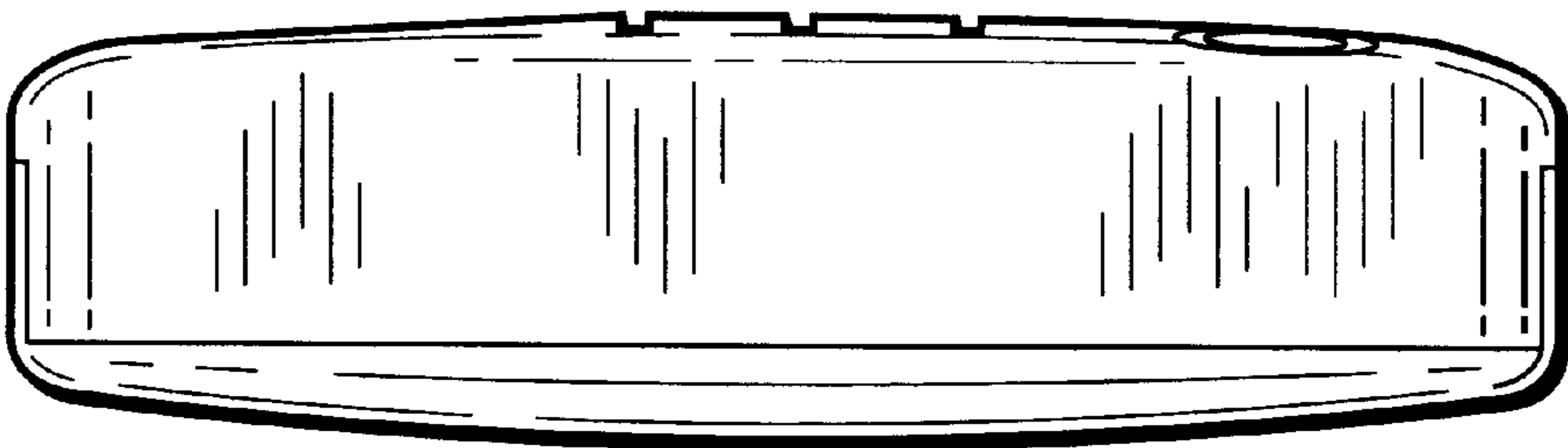


Fig.6

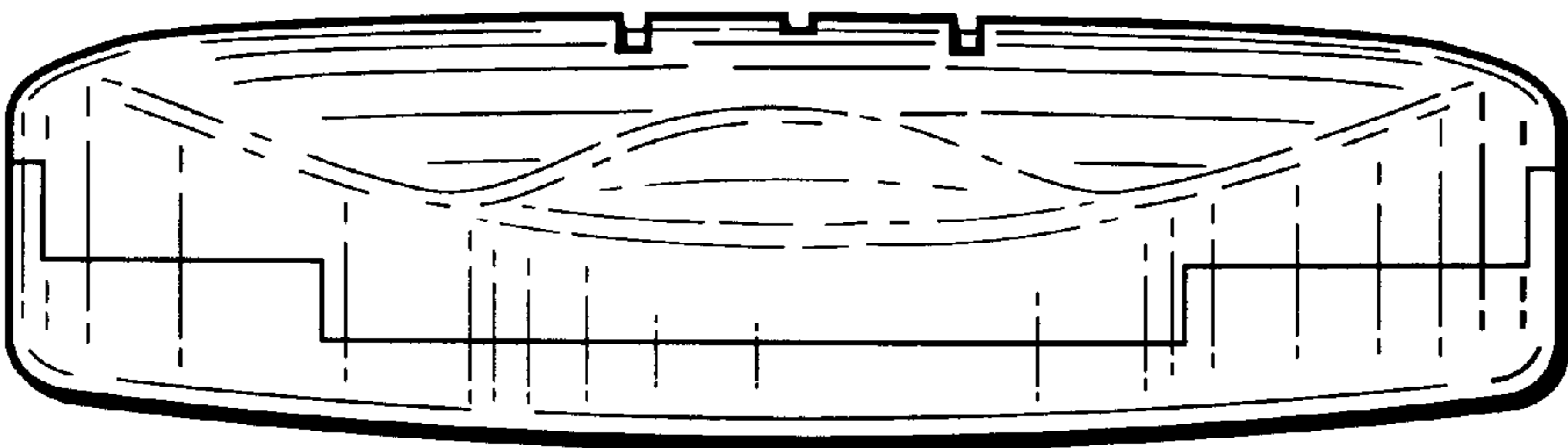


Fig.7