



US00D410716S

United States Patent [19]

Bendo et al.

[11] Patent Number: **Des. 410,716**

[45] Date of Patent: **** Jun. 8, 1999**

[54] **GOLF CLUB PUTTER HEAD**

[76] Inventors: **Christopher J. Bendo**, 12203 Roxbury, Tecumseh, Ontario, Canada, N8N 4M8; **Euclid Cecchin**, 3490 Victoria Boulevard, Windsor, Ontario, Canada, N9E 3L2

[**] Term: **14 Years**

[21] Appl. No.: **29/086,301**

[22] Filed: **Apr. 9, 1998**

[51] **LOC (6) Cl.** **21-02**

[52] **U.S. Cl.** **D21/736**

[58] **Field of Search** D21/736-746; 473/251-256, 340, 341

[56] **References Cited**

U.S. PATENT DOCUMENTS

- D. 196,736 10/1963 Carlo .
- D. 217,373 4/1970 Zitko .
- D. 229,844 1/1974 Pavelle .
- D. 269,537 6/1983 Tucker .
- D. 324,555 3/1992 Evans .
- D. 355,944 2/1995 Bendo .

- 3,758,115 9/1973 Hoglund .
- 4,138,117 2/1979 Dalton .
- 4,964,639 10/1990 Tucker .
- 5,080,365 1/1992 Winchell .
- 5,470,070 11/1995 Bendo .

Primary Examiner—Mitchell I Siegel

[57] **CLAIM**

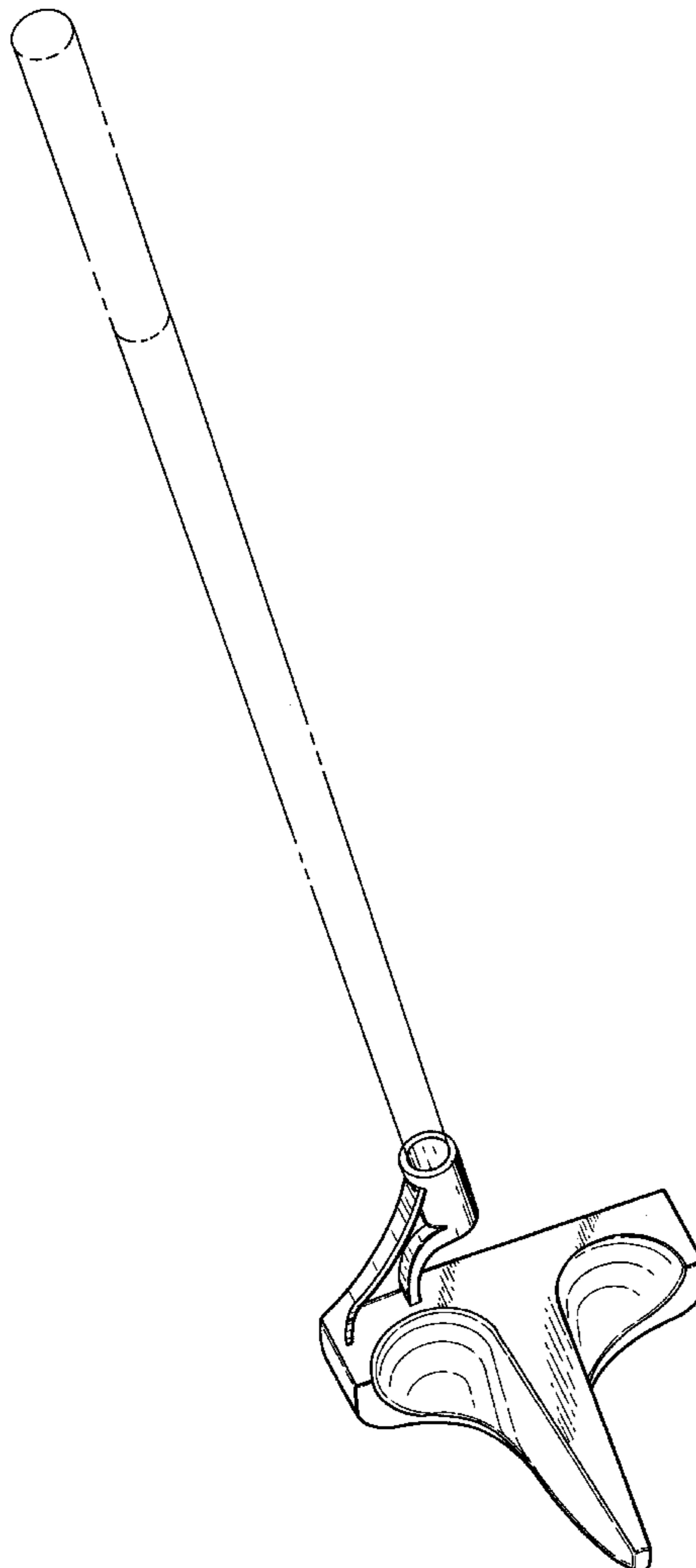
The ornamental design for a golf club putter head, as shown and described.

DESCRIPTION

FIG. 1 is a left side elevational view of a golf club putter head showing my new design;
 FIG. 2 is a rear elevational view thereof;
 FIG. 3 is a rear and left side perspective view thereof;
 FIG. 4 is a front elevational view thereof;
 FIG. 5 is an enlarged, top plan view thereof;
 FIG. 6 is an enlarged bottom view thereof; and,
 FIG. 7 is an enlarged, front and left side perspective view thereof.

The broken line showing of a shaft and grip are for illustrative purposes only and form no part of the claimed design.

1 Claim, 3 Drawing Sheets



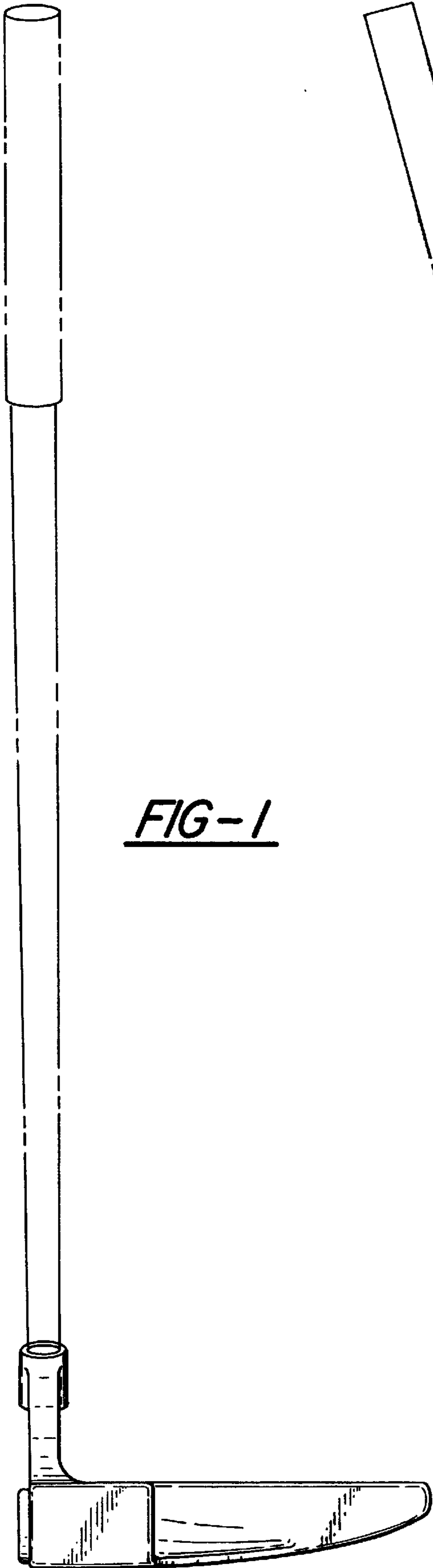


FIG-1

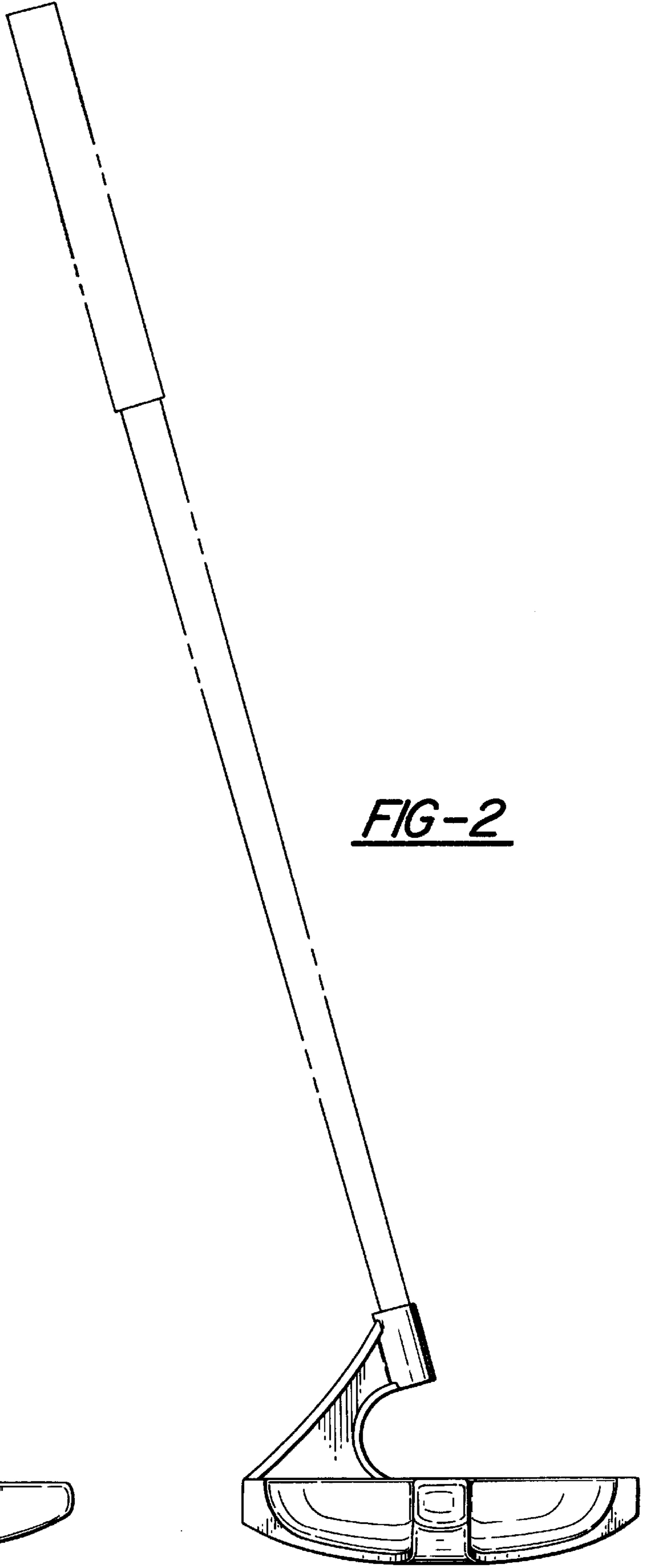


FIG-2

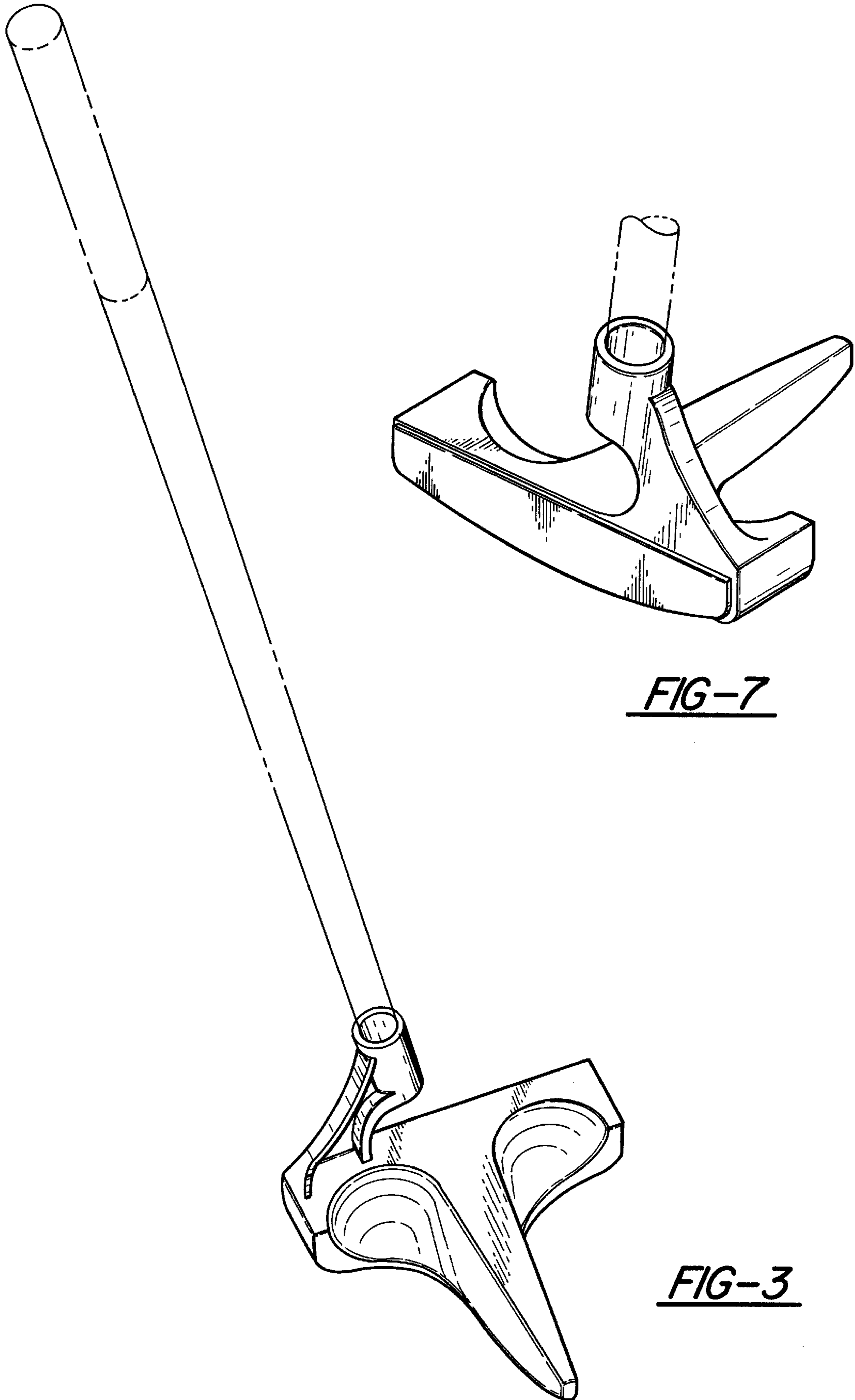


FIG-7

FIG-3

