



US00D410715S

United States Patent [19]
Cramton

[11] **Patent Number: Des. 410,715**
[45] **Date of Patent: ** Jun. 8, 1999**

[54] **COMBINED BALL SUPPORT AND TARGET FOR A BAT AND PUTT GAME**

4,227,691 10/1980 Lefebvre et al. 473/417
4,383,686 5/1983 Cardieri 473/417

[76] Inventor: **Larry C. Cramton**, Route #4, Box 102, Marlow, Okla. 73055

Primary Examiner—Ted Shooman
Assistant Examiner—Richelle Shelton
Attorney, Agent, or Firm—Robert K. Rhea

[**] Term: **14 Years**

[57] **CLAIM**

[21] Appl. No.: **29/085,147**

The ornamental design for a combined ball support and target for a bat and putt game, as shown and described.

[22] Filed: **Mar. 18, 1998**

DESCRIPTION

[51] **LOC (6) Cl.** **21-02**

[52] **U.S. Cl.** **D21/715; D21/790**

[58] **Field of Search** D21/715, 790;
473/417, 422, 453, 454; D8/349, 373

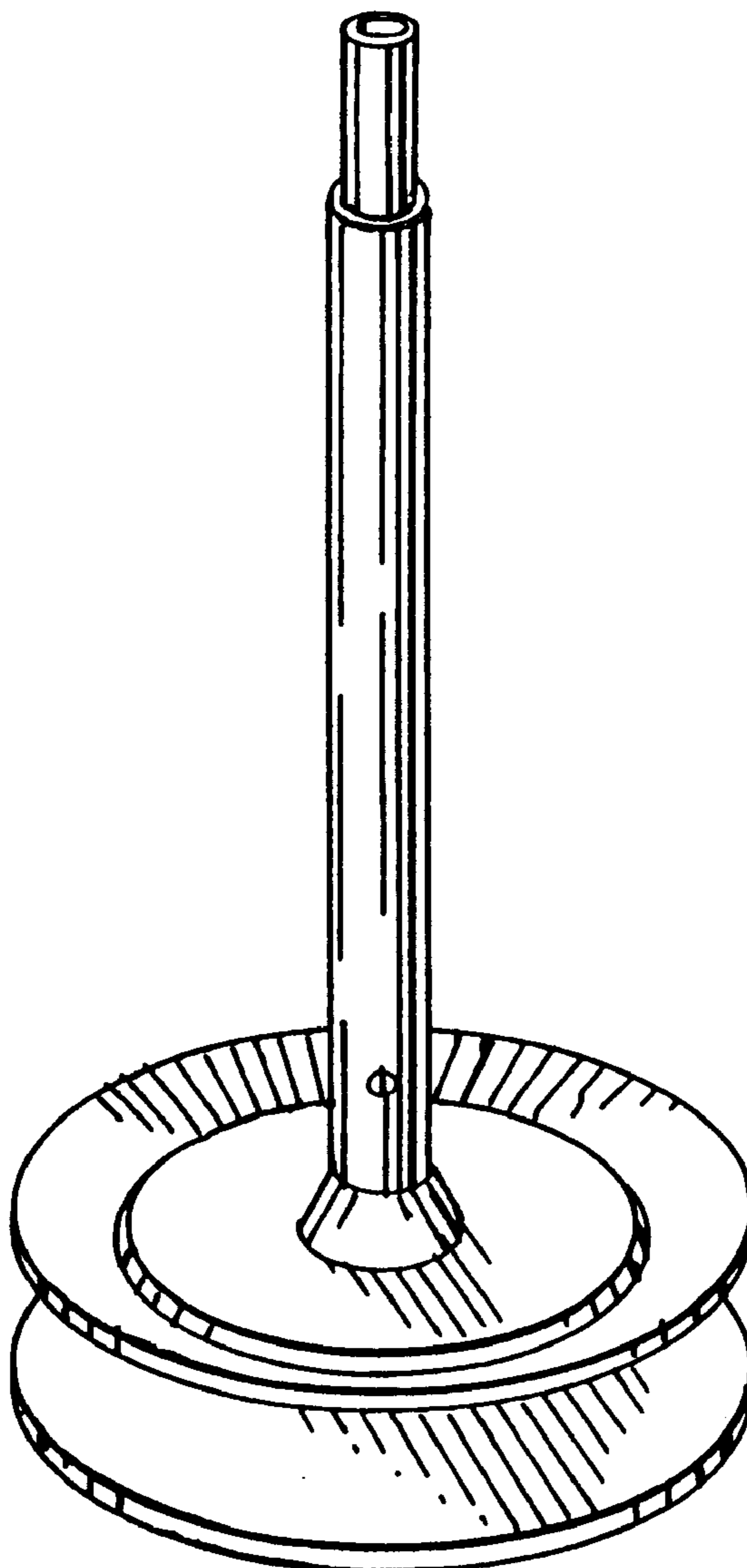
FIG. 1 is a perspective view;
FIG. 2 is a front elevational view thereof;
FIG. 3 is a rear elevational view thereof;
FIG. 4 is a left side elevational view thereof, the view from the right side being a mirror image;
FIG. 5 is a top view thereof; and,
FIG. 6 is a bottom view thereof.

[56] **References Cited**

U.S. PATENT DOCUMENTS

D. 359,437 6/1995 Bilotti D8/349
2,964,316 12/1960 Rose 473/454

1 Claim, 1 Drawing Sheet



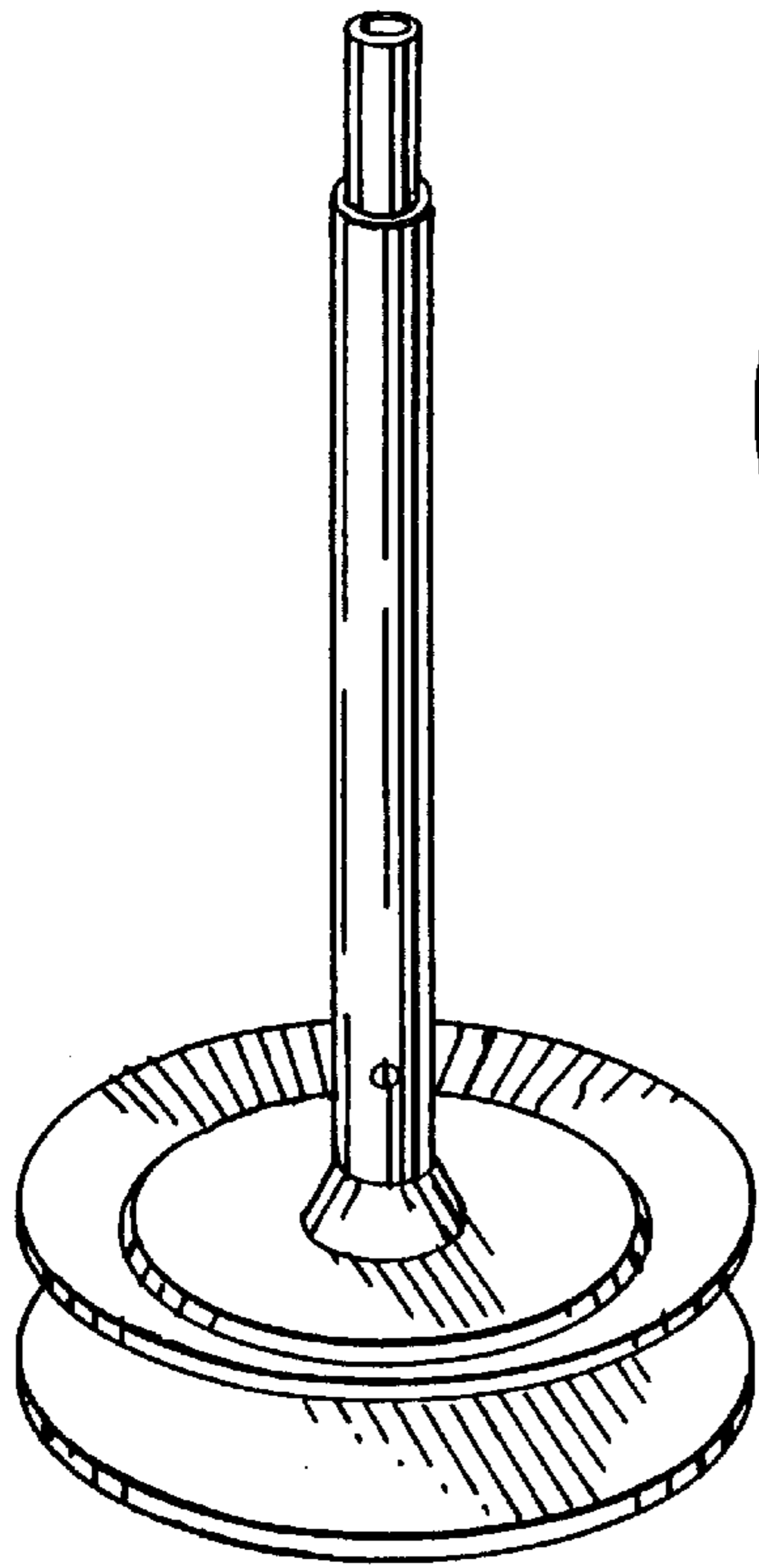


FIG. 1

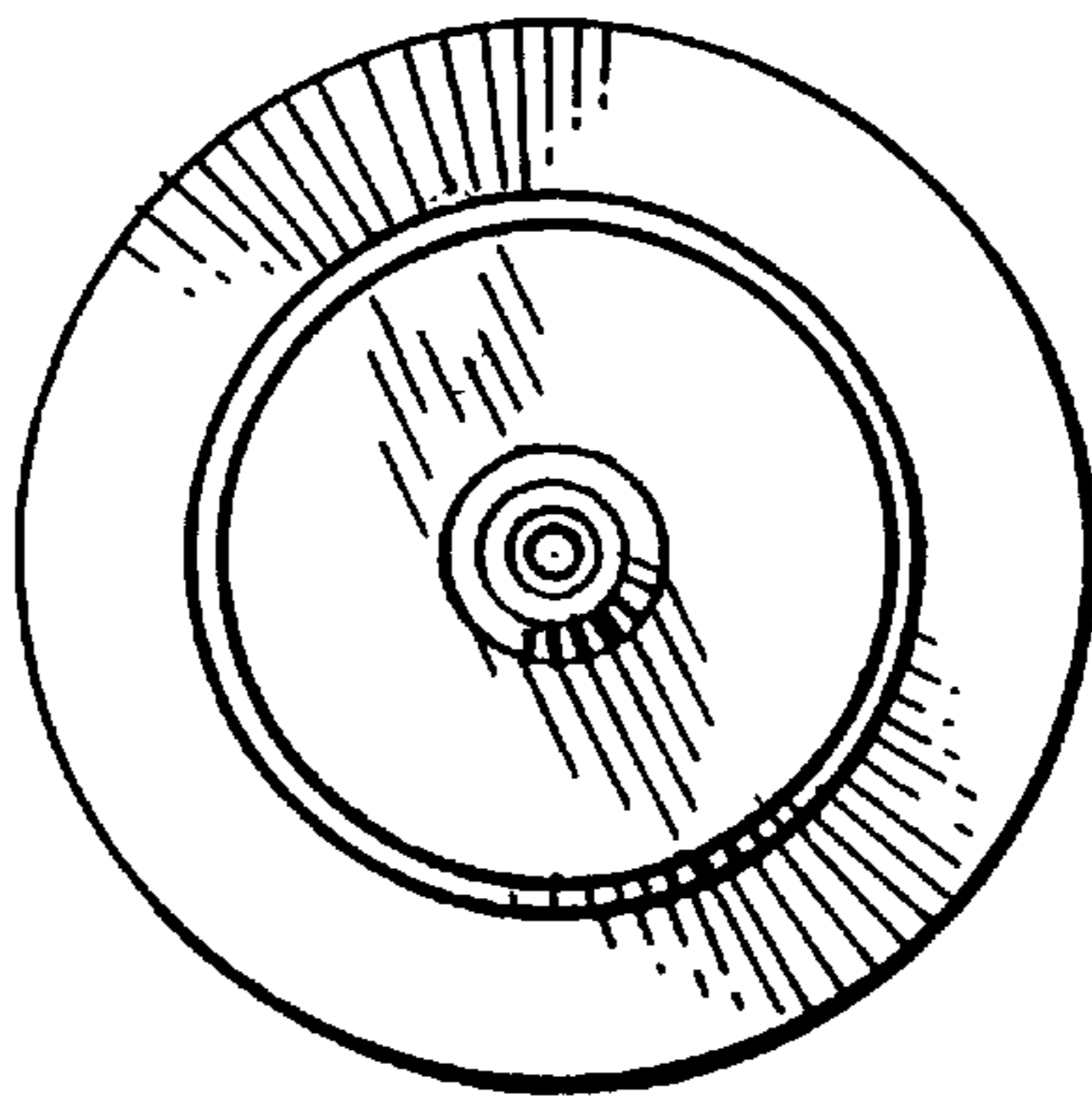


FIG. 5

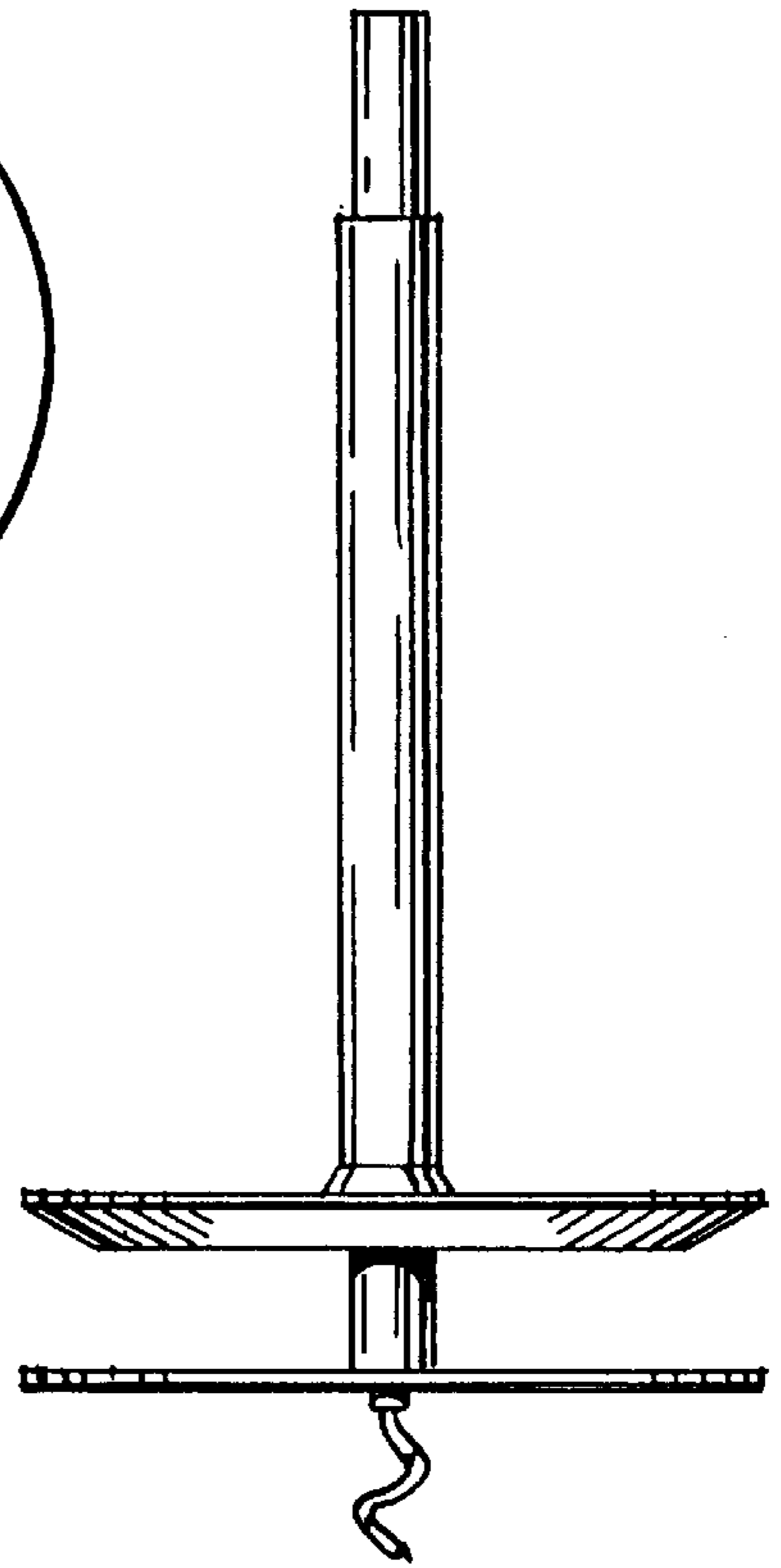


FIG. 3

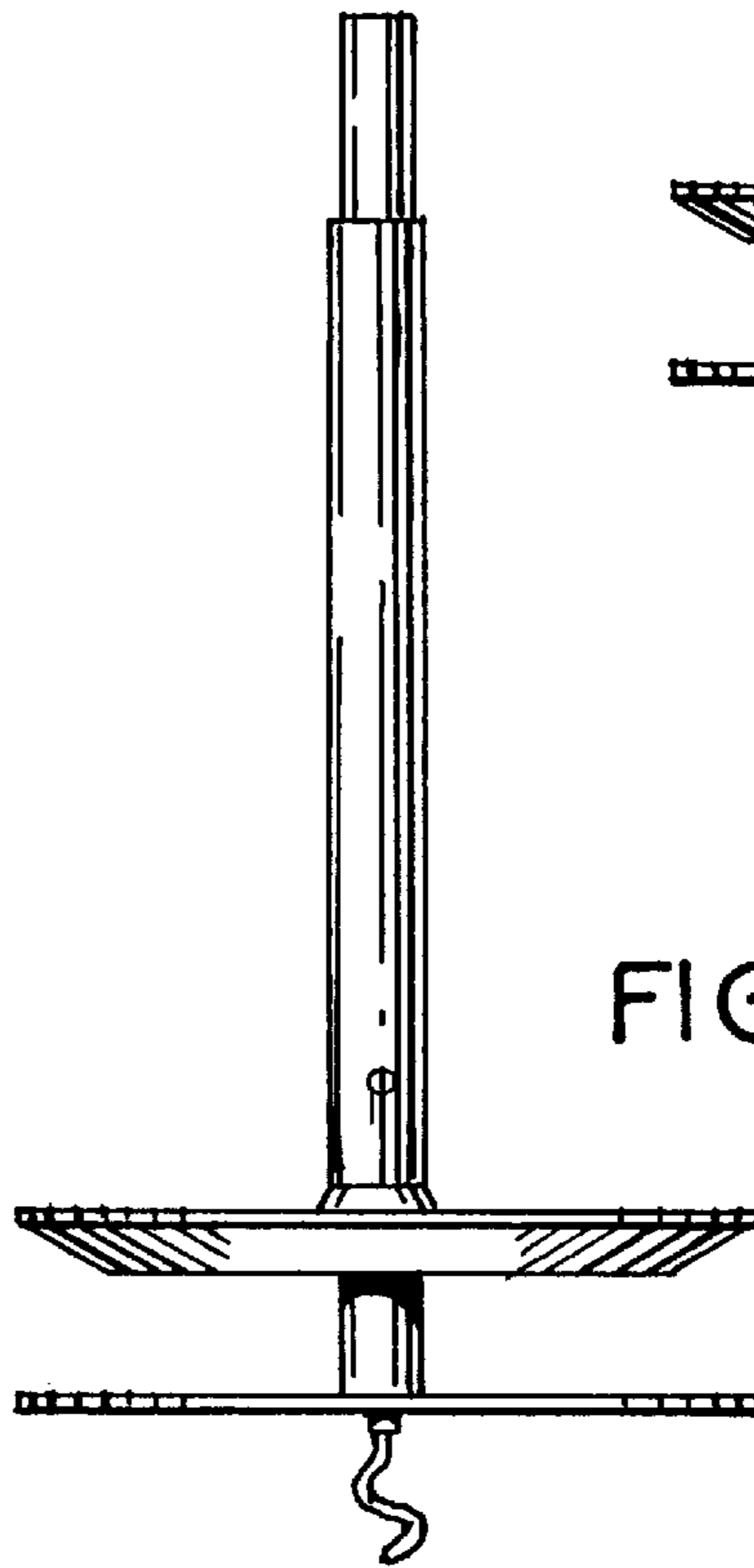


FIG. 2

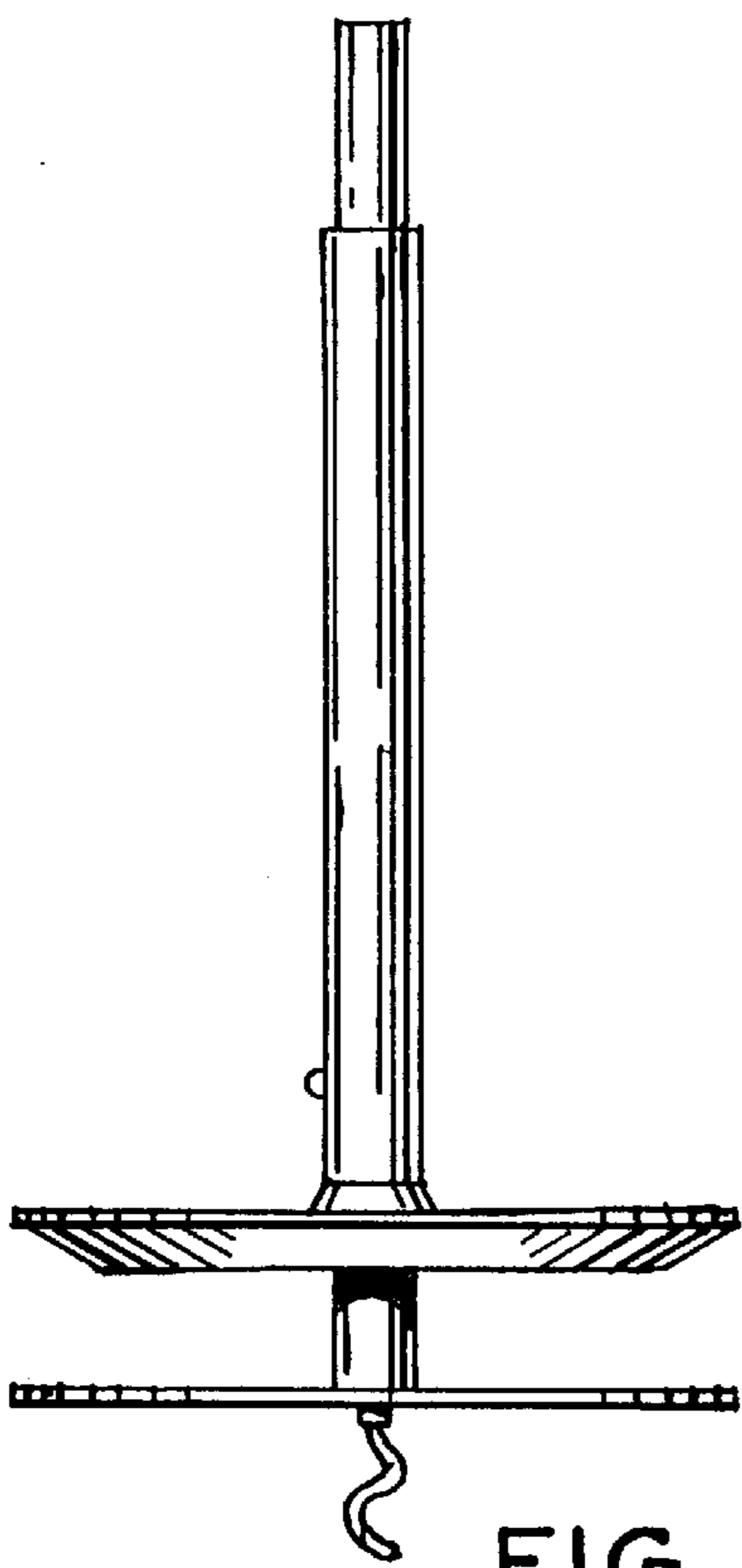


FIG. 4

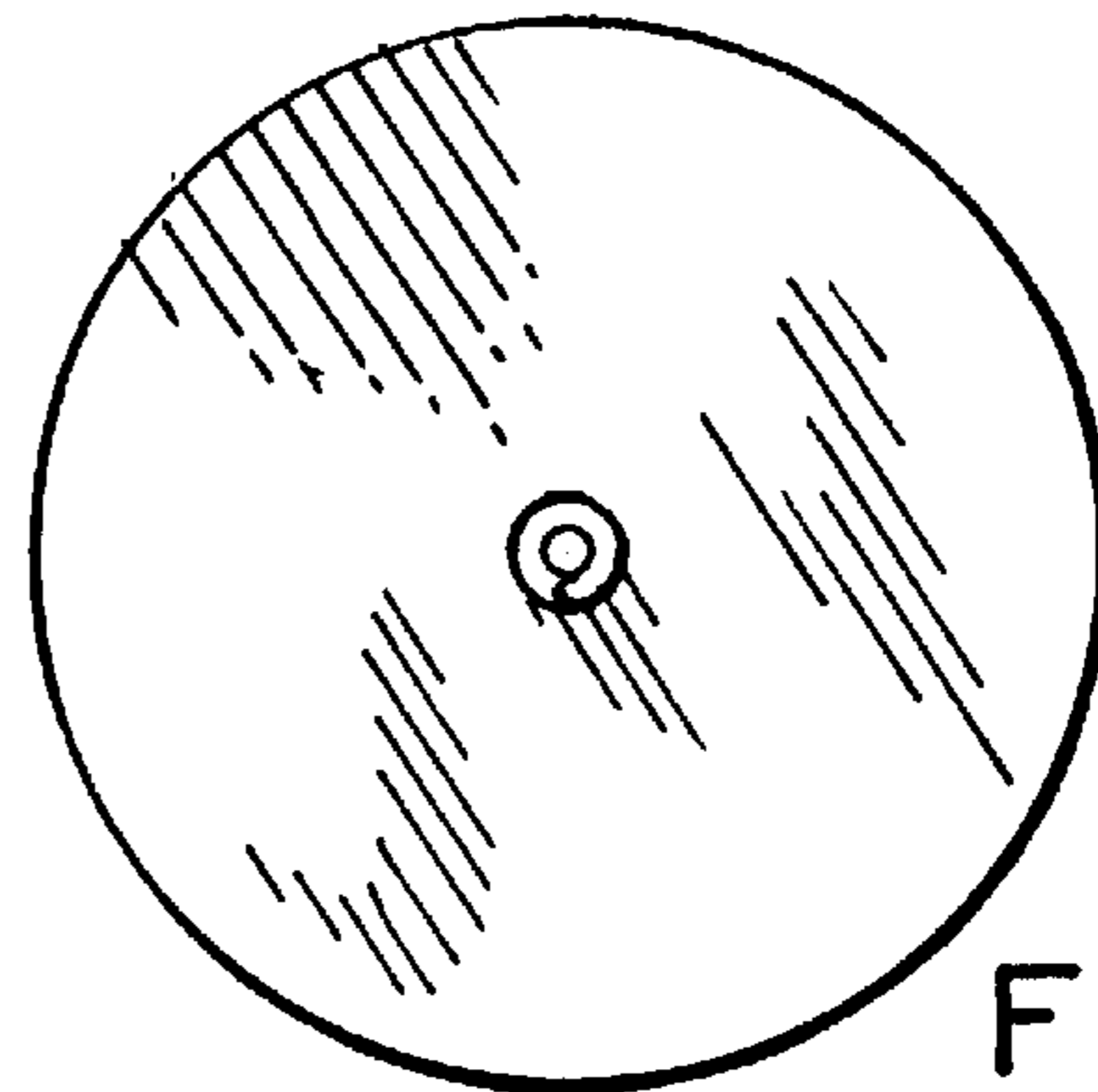


FIG. 6