



US00D410714S

# United States Patent [19]

Sherwood et al.

[11] Patent Number: **Des. 410,714**

[45] Date of Patent: **\*\* Jun. 8, 1999**

## [54] INFLATABLE BASKETBALL BACKBOARD

[75] Inventors: **Jeffrey Stephen Sherwood; Robert J. Howard**, both of Alpharetta, Ga.

[73] Assignee: **International Buying Corporation**, Alpharetta, Ga.

[\*\*] Term: **14 Years**

[21] Appl. No.: **29/091,409**

[22] Filed: **Jul. 29, 1998**

[51] **LOC (6) Cl.** ..... **21-99**

[52] **U.S. Cl.** ..... **D21/701**

[58] **Field of Search** ..... D21/699, 701,  
D21/705, 314; 273/458; 446/220; 473/479,  
481, 482, 485

### [56] **References Cited**

#### U.S. PATENT DOCUMENTS

1,736,879	11/1929	Gross	.....	473/481
2,939,707	6/1960	Lemelson	.....	446/420 X
4,547,919	10/1985	Wang	.	
4,745,649	5/1988	Wang	.	
5,632,480	5/1997	Davis et al.	.....	473/479 X

## OTHER PUBLICATIONS

Hong Kong Toys catalog, vol. 2, p. 44, inflatable pool game, 1992.

ABC Distributing, Inc., "Summer Gift Collection 1998" (catalog sales brochure), p. 50, "Inflatable Basketball Pool".

*Primary Examiner*—Ted Shooman

*Assistant Examiner*—Richelle Shelton

*Attorney, Agent, or Firm*—Jones & Askew, LLP

## [57] **CLAIM**

The ornamental design for an inflatable basketball backboard, as shown.

## DESCRIPTION

FIG. 1 is a perspective view of an inflatable basketball backboard showing our new design;

FIG. 2 is a front view thereof;

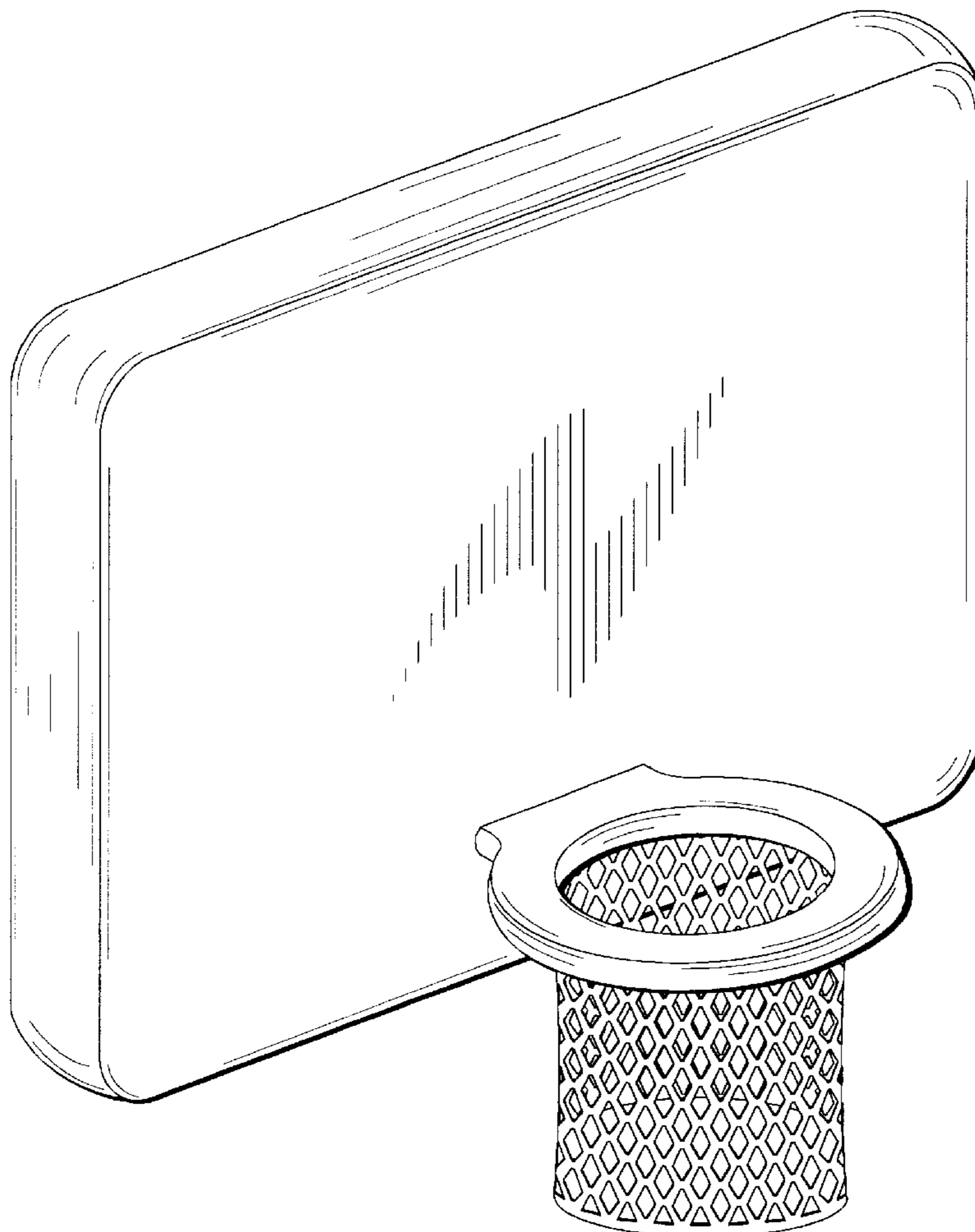
FIG. 3 is a rear view thereof;

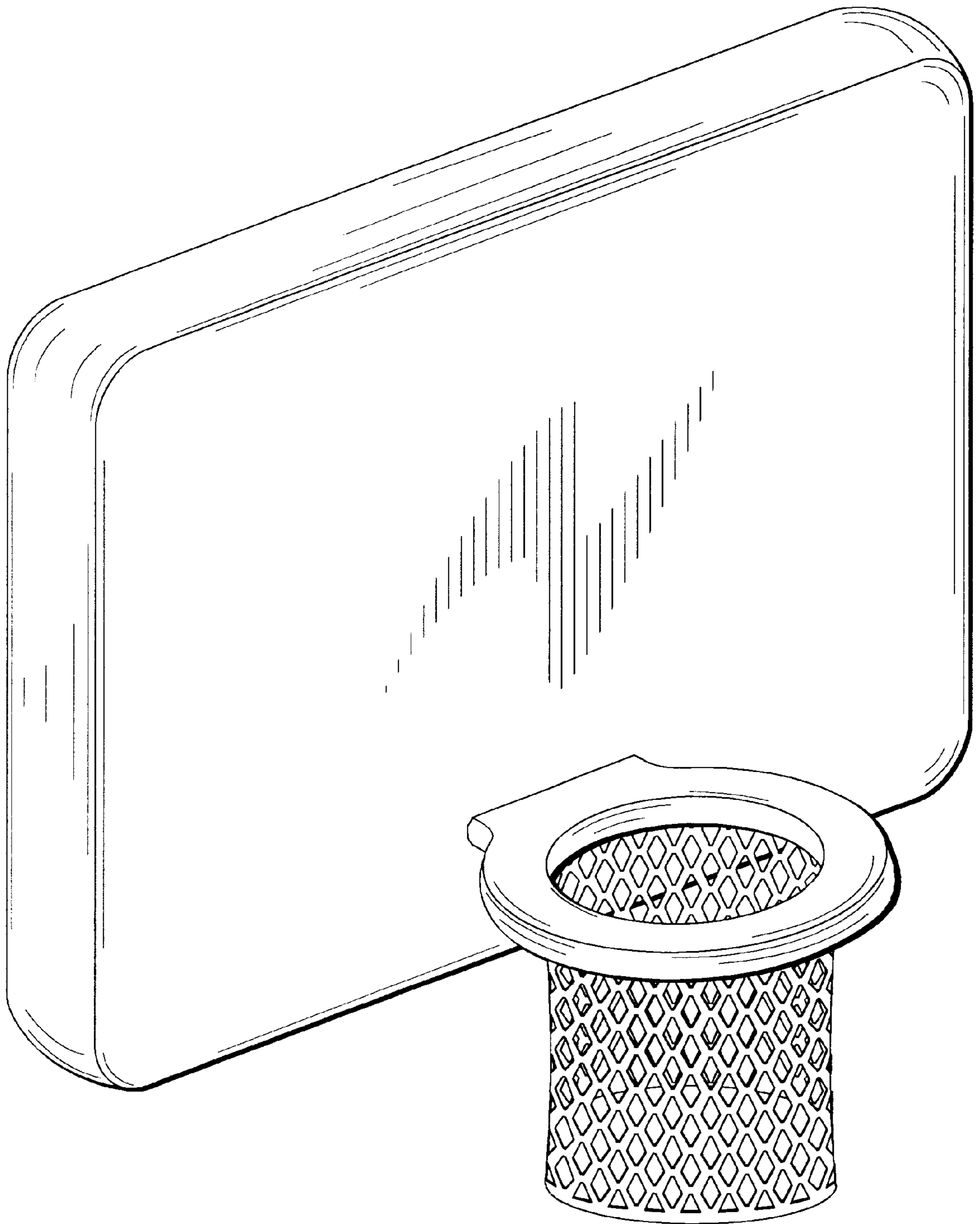
FIG. 4 is a side view thereof, the other side presenting a mirror image;

FIG. 5 is a top view thereof; and,

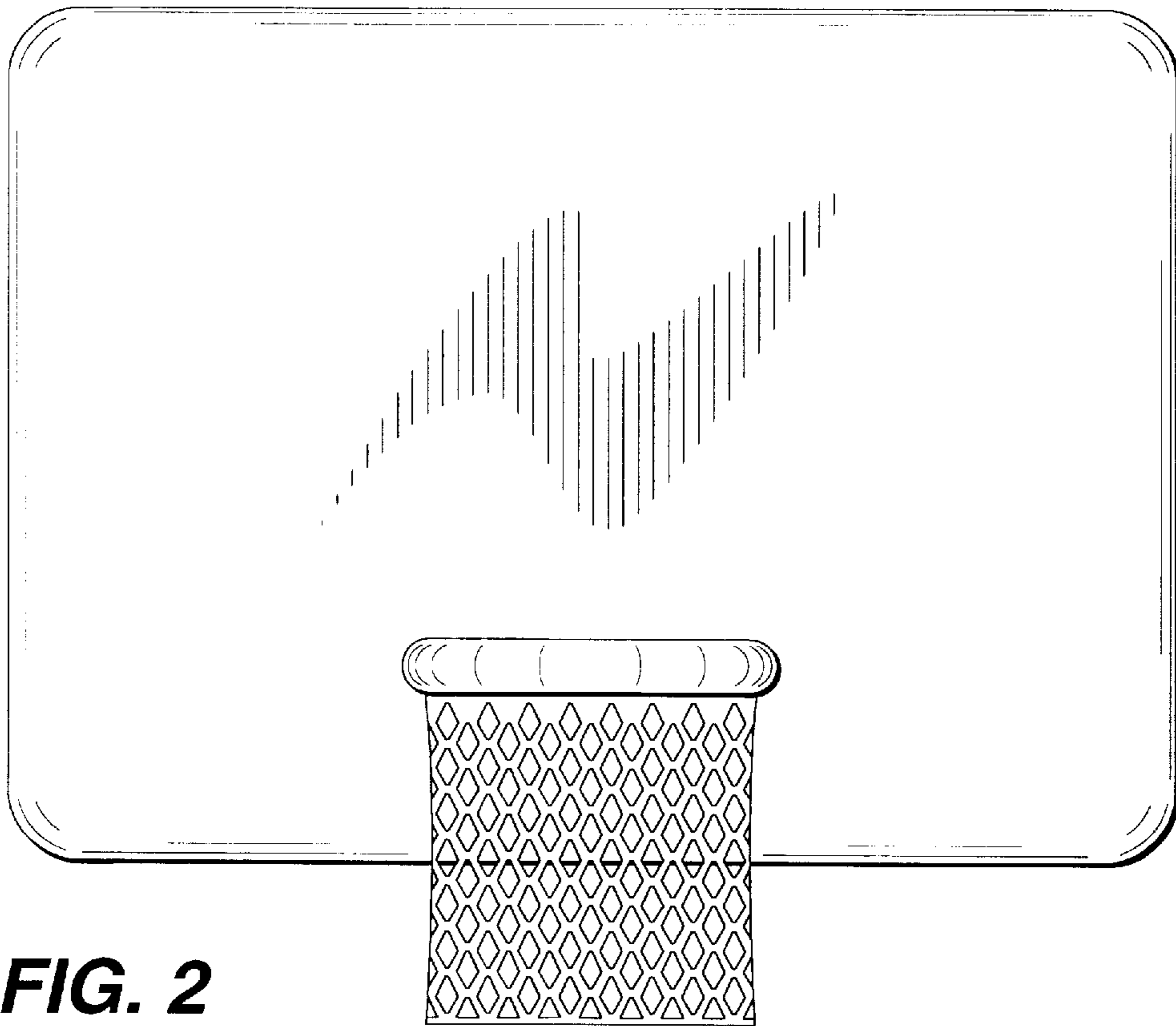
FIG. 6 is a bottom view thereof.

**1 Claim, 3 Drawing Sheets**

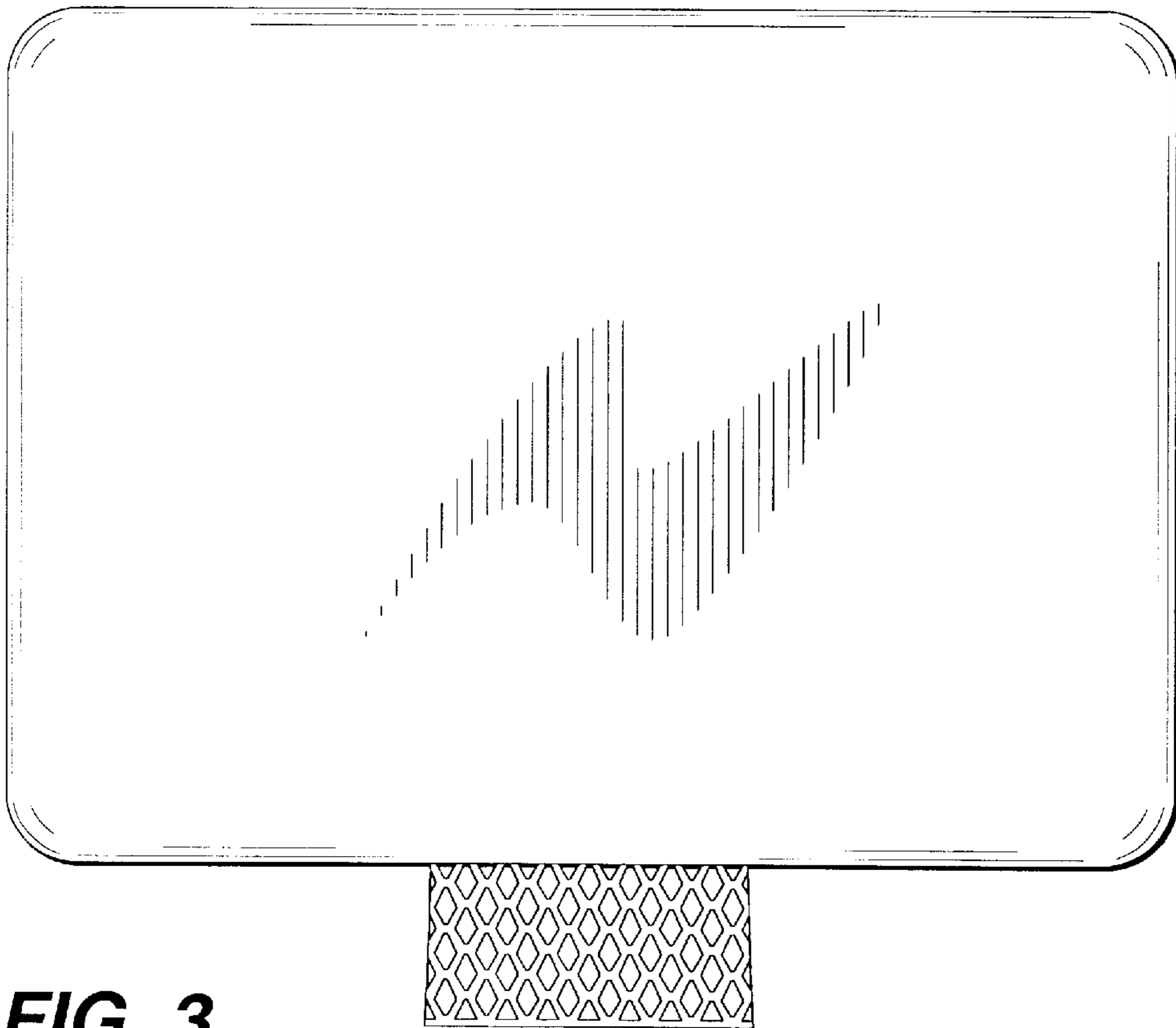




**FIG. 1**

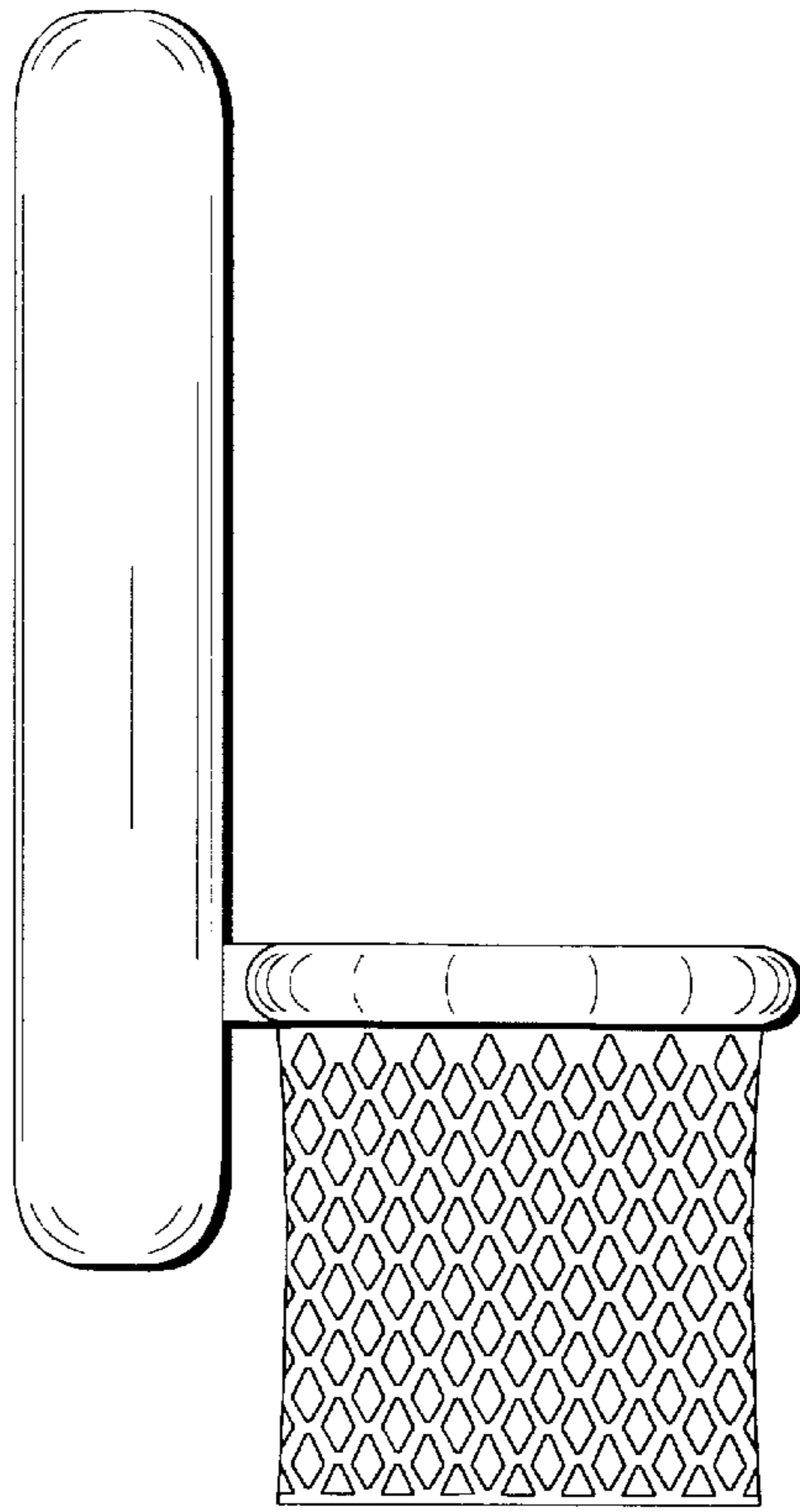


**FIG. 2**

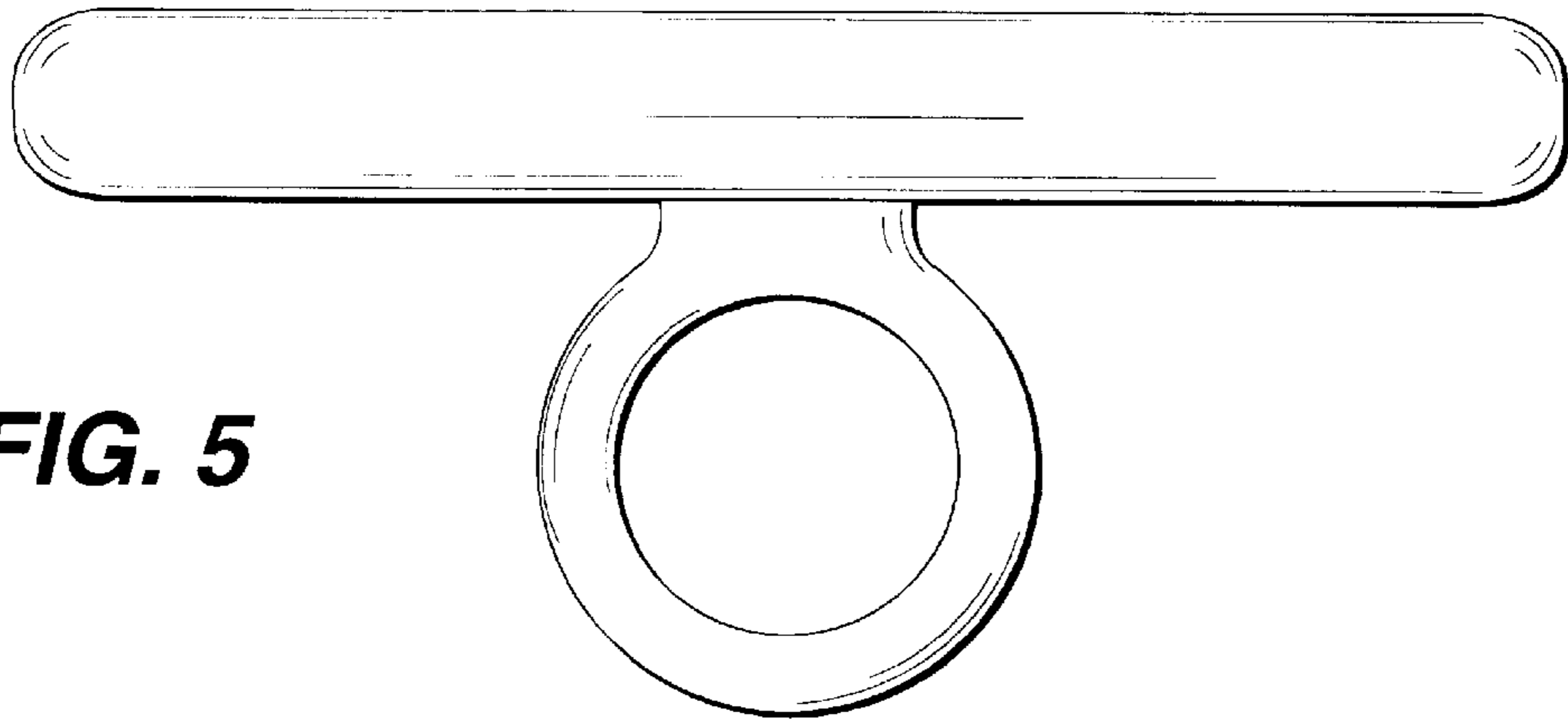


**FIG. 3**

**FIG. 4**



**FIG. 5**



**FIG. 6**

