



US00D410713S

United States Patent [19]
Sherwood et al.

[11] **Patent Number: Des. 410,713**
[45] **Date of Patent: ** Jun. 8, 1999**

[54] **INFLATABLE FOOTBALL GOAL**

5,584,480 12/1996 Grimsrud 473/477 X

[75] Inventors: **Jeffrey Stephen Sherwood; Robert J. Howard**, both of Alpharetta, Ga.

OTHER PUBLICATIONS

Alvimar Mfg. Co., Inc., "Inflatable Football Promotion", (sales flyer), 1997.

[73] Assignee: **International Buying Corporation**, Alpharetta, Ga.

Primary Examiner—Ted Shooman
Assistant Examiner—Richelle Shelton
Attorney, Agent, or Firm—Jones & Askew, LLP

[**] Term: **14 Years**

[21] Appl. No.: **29/091,000**

[57] **CLAIM**

[22] Filed: **Jul. 21, 1998**

The ornamental design for an inflatable football goal, as shown.

[51] **LOC (6) Cl.** **21-99**

DESCRIPTION

[52] **U.S. Cl.** **D21/699**

[58] **Field of Search** D21/699, 318;
273/458; 446/220; 473/477, 420, 470

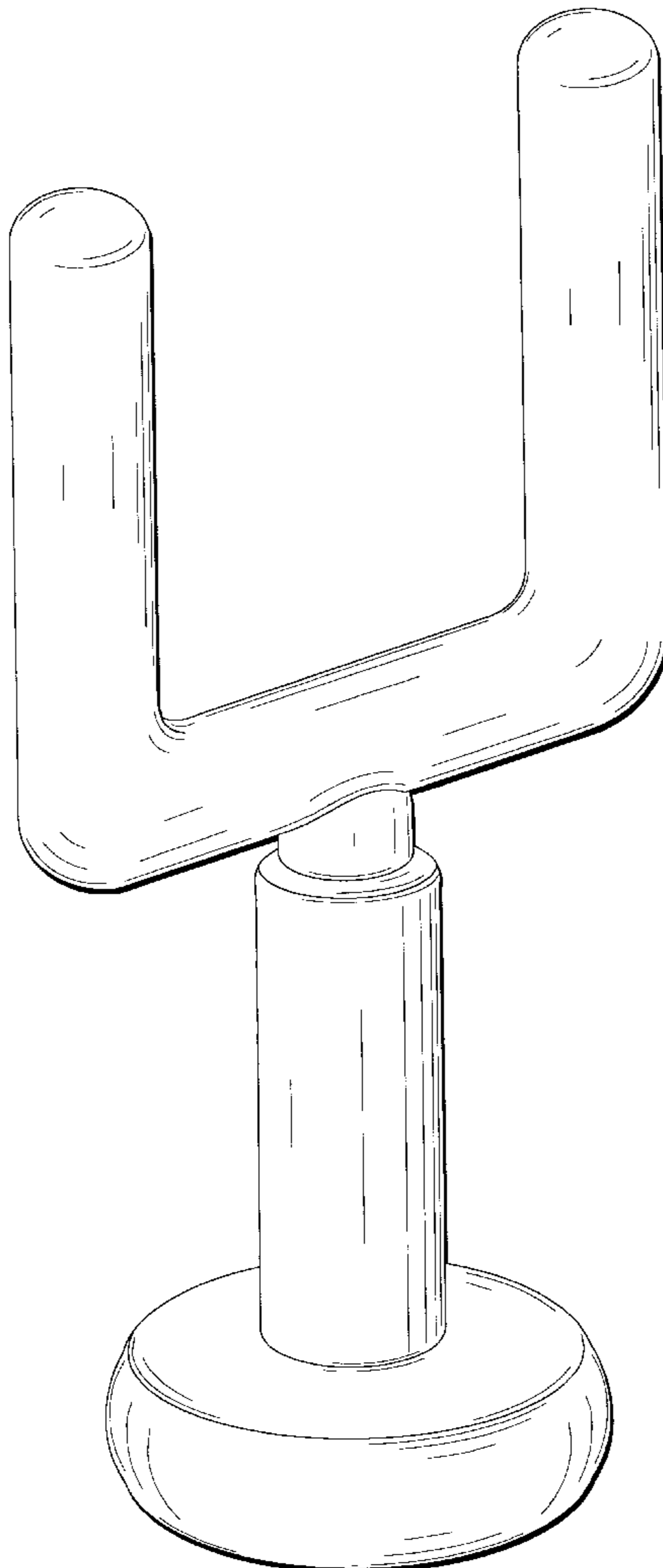
FIG. 1 is a perspective view of an inflatable football goal showing our new design;
FIG. 2 is a front view thereof;
FIG. 3 is a side view thereof;
FIG. 4 is the other side view thereof;
FIG. 5 is a top view thereof; and,
FIG. 6 is a bottom view thereof.

[56] **References Cited**

U.S. PATENT DOCUMENTS

D. 324,554	3/1992	McKinney	D21/699
3,675,922	7/1972	Nieland	473/420
4,547,919	10/1985	Wang	.	
4,745,649	5/1988	Wang	.	

1 Claim, 4 Drawing Sheets



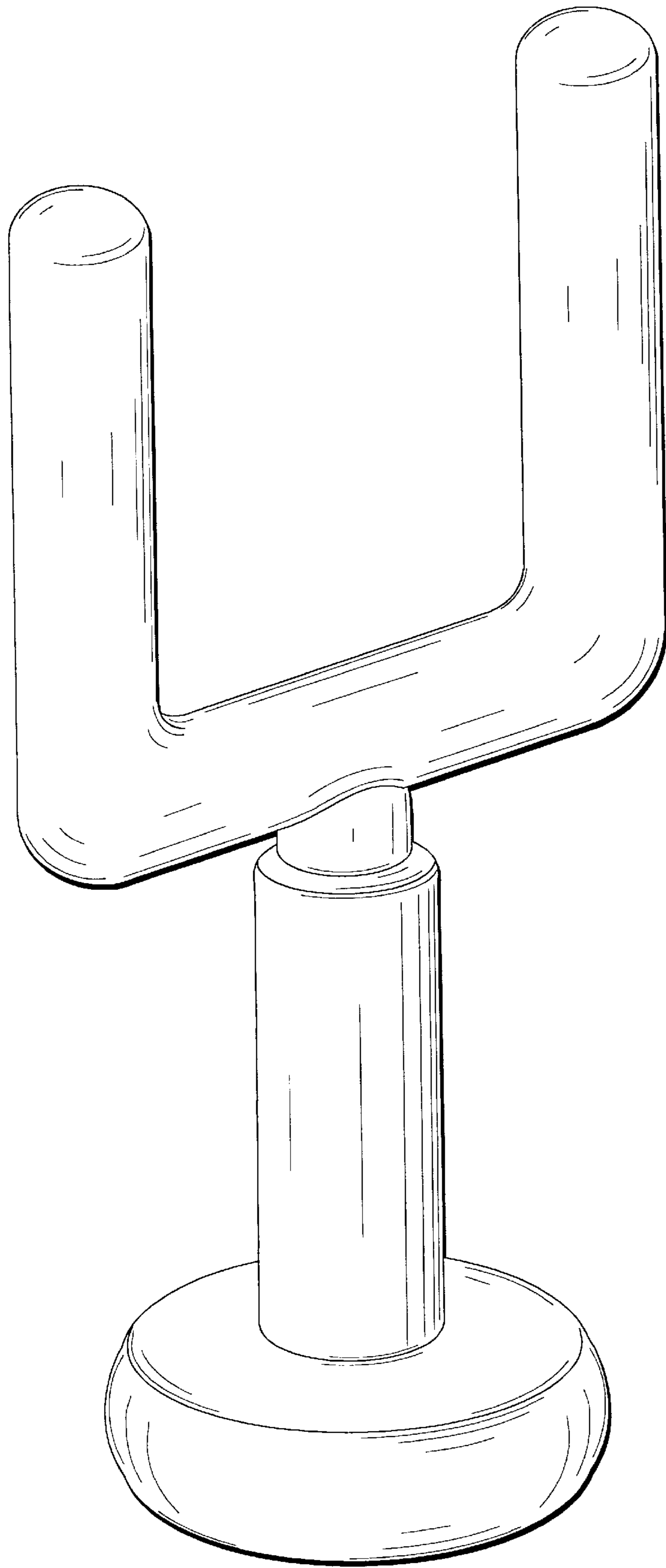


FIG. 1

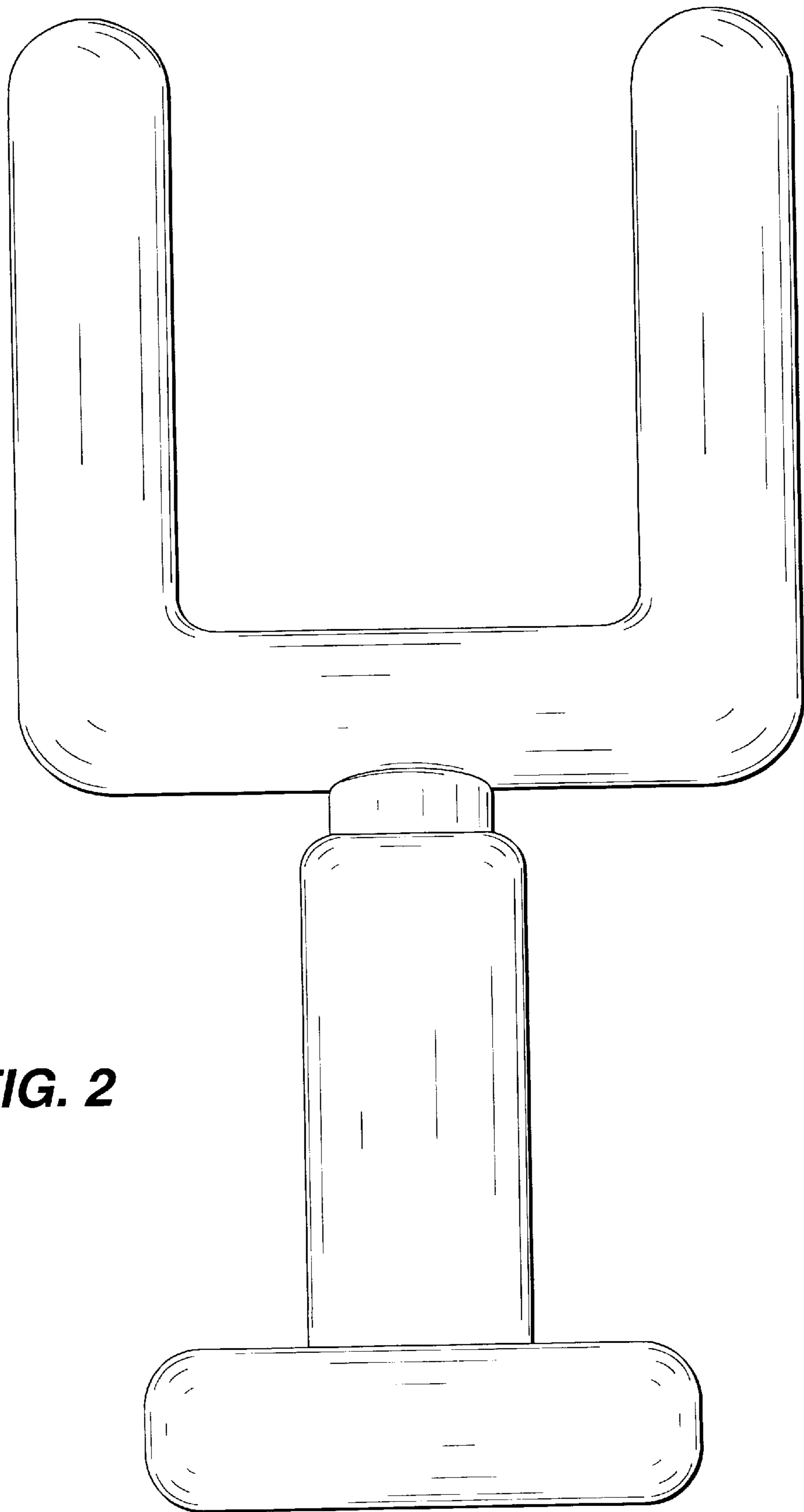


FIG. 2

FIG. 3

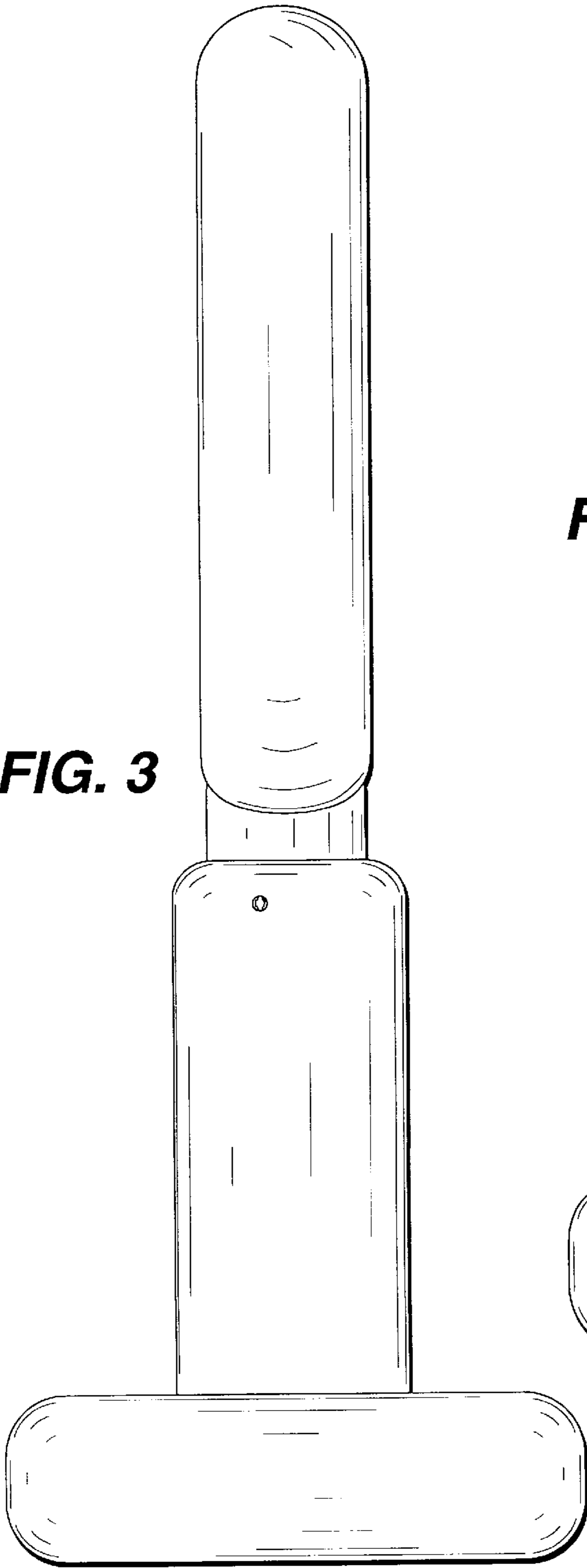
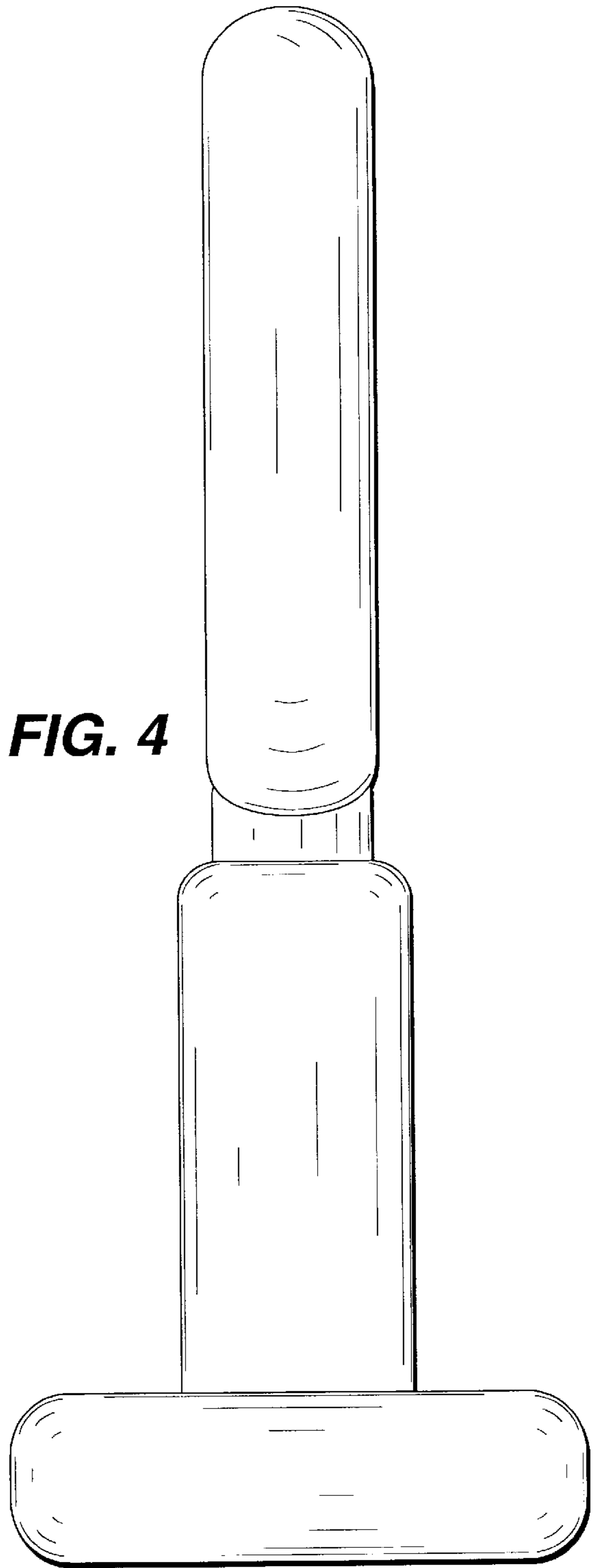


FIG. 4



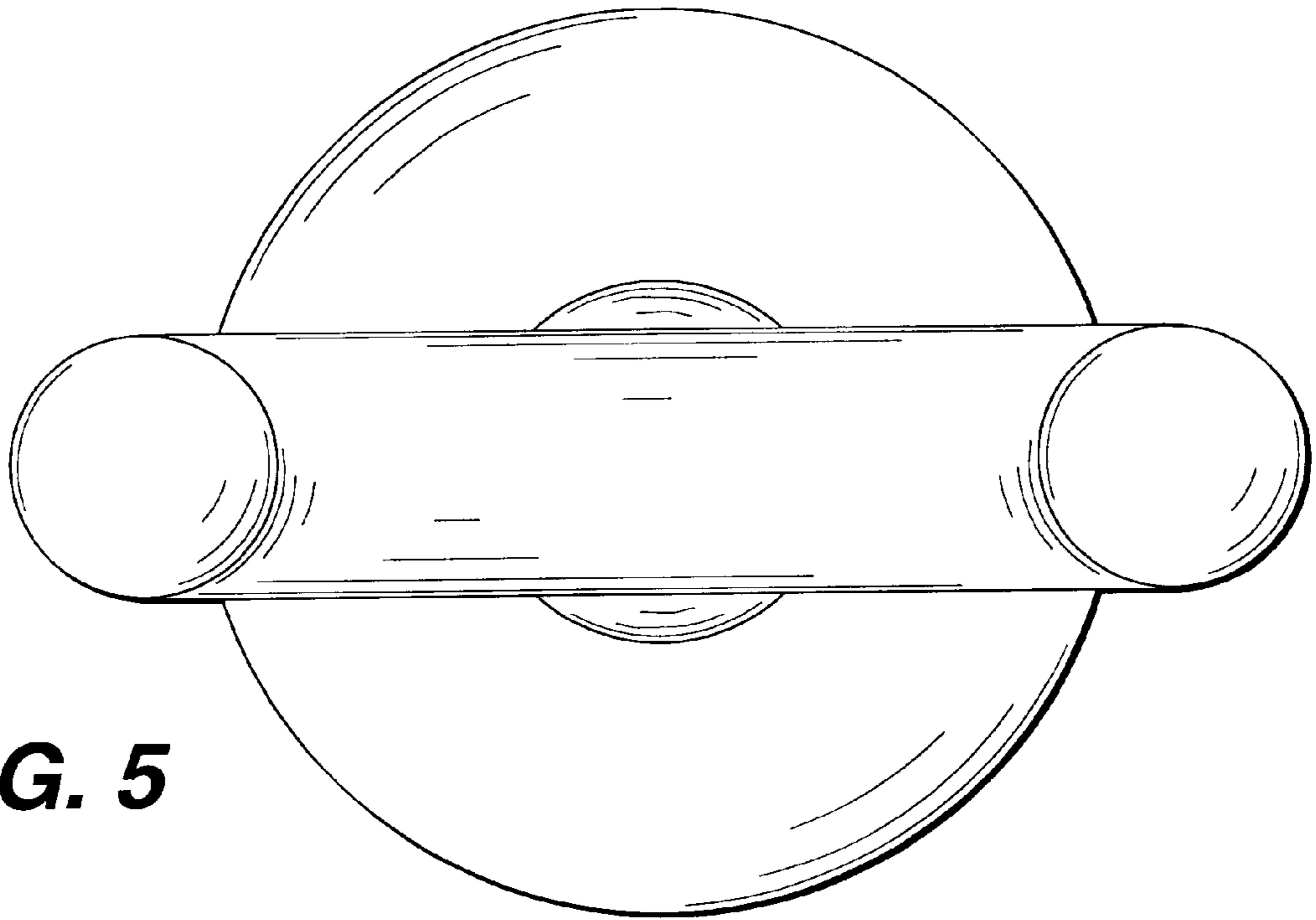


FIG. 5

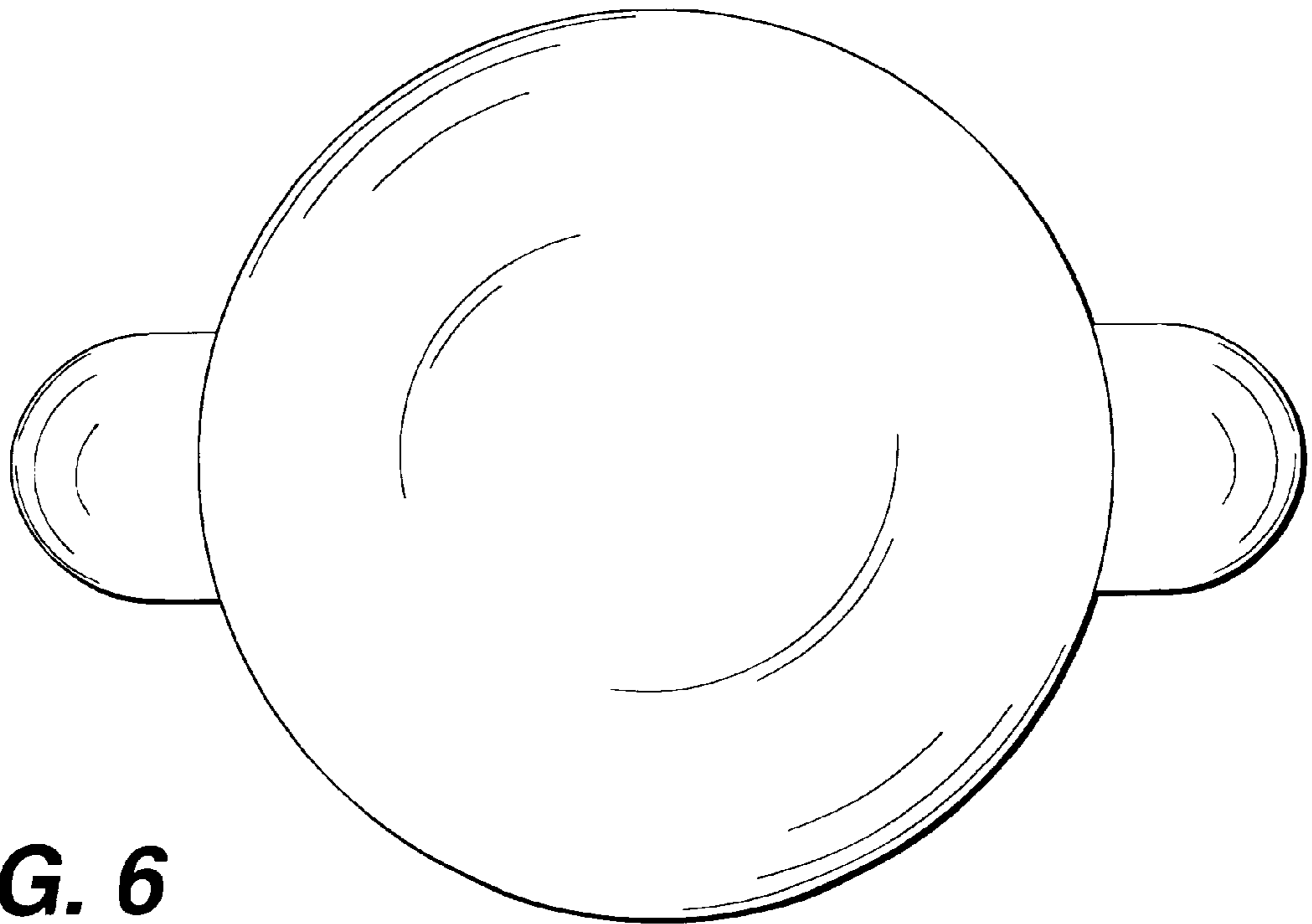


FIG. 6