



US00D410712S

United States Patent [19]
Giger et al.

[11] **Patent Number: Des. 410,712**
[45] **Date of Patent: ** Jun. 8, 1999**

[54] **PHYSICAL EXERCISE APPARATUS**

[76] Inventors: **Adrian Giger; Sonja Giger; Urs Giger**, all of Tugginerweg 3, 4503 Solothurn; **Thomas Giger**, Poststrasse 14, 4500 Solothurn, all of Switzerland

[**] Term: **14 Years**

[21] Appl. No.: **29/085,068**

[22] Filed: **Jan. 21, 1998**

[30] **Foreign Application Priority Data**

Jul. 24, 1997 [XH] Hague Agreement DM/040886

[51] **LOC (6) Cl.** **21-02**

[52] **U.S. Cl.** **D21/665**

[58] **Field of Search** D21/662, 663, D21/664, 665, 668, 670; 482/51, 52, 57, 62

[56] **References Cited**

U.S. PATENT DOCUMENTS

D. 279,918	7/1985	Stumbaugh et al.	D21/665
D. 283,151	3/1986	Knief	D21/665
D. 298,845	12/1988	Giger	D21/665
D. 305,347	1/1990	Wittenbrock et al.	D21/665
D. 343,878	2/1994	Hughes	D21/665
D. 365,860	1/1996	Giger	D21/665
2,388,777	11/1945	Wentz .	
2,668,709	2/1954	Boyko .	
3,381,958	5/1968	Gulland .	
3,759,511	9/1973	Zinkin et al. .	
4,071,235	1/1978	Zent	482/62

Primary Examiner—Philip S. Hyder
Attorney, Agent, or Firm—Griffin, Butler, Whisenhunt & Szipl, LLP

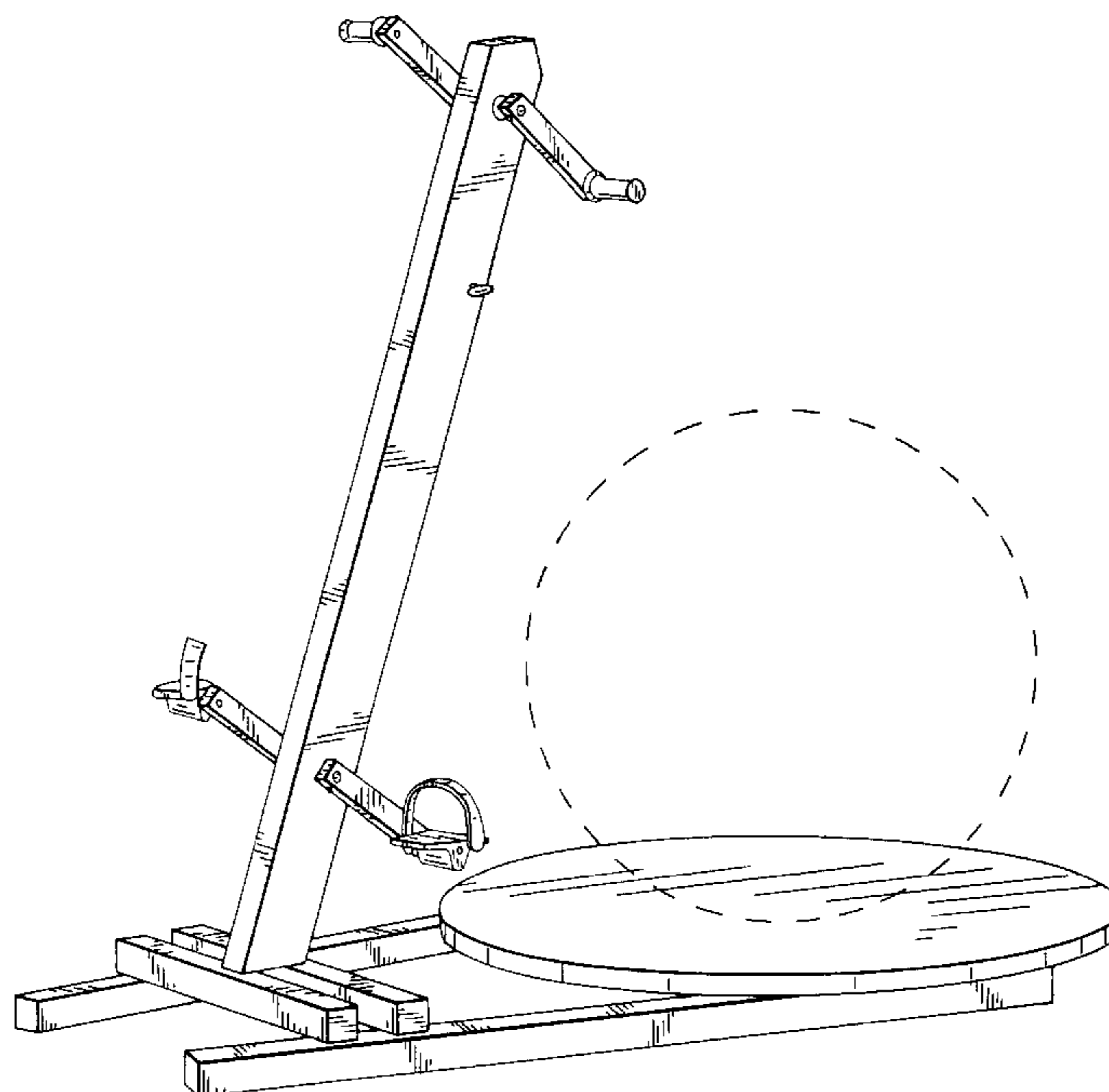
[57] **CLAIM**

The ornamental design for a physical exercise apparatus, as shown and described.

DESCRIPTION

FIG. 1 is a top plan view of a first-embodiment physical exercise apparatus of this invention;
 FIG. 2 is a left side elevational view of the physical exercise apparatus of FIG. 1;
 FIG. 3 is a right side elevational view of the physical exercise apparatus of FIG. 1;
 FIG. 4 is a rear elevational view of the physical exercise apparatus of FIG. 1;
 FIG. 5 is a front elevational view of the physical exercise apparatus depicted in FIG. 1;
 FIG. 6 is a bottom view of the physical exercise apparatus of FIG. 1;
 FIG. 7 is a front perspective view of the physical exercise apparatus of FIG. 1 with a seat ball being shown thereon in dashed lines;
 FIG. 8 is a top plan view of a second-embodiment of the physical exercise apparatus;
 FIG. 9 is a left side elevational view of the physical exercise apparatus of FIG. 8;
 FIG. 10 is a right side elevational view of the physical exercise apparatus of FIG. 8;
 FIG. 11 is a rear elevational view of the physical exercise apparatus of FIG. 8;
 FIG. 12 is a front elevational view of the physical exercise apparatus of FIG. 8;
 FIG. 13 is a bottom plan view of the physical exercise apparatus of FIG. 8; and,
 FIG. 14 is a front perspective view of the physical exercise apparatus of FIG. 8.
 The broken line showing of the seat ball in FIG. 7 is for illustrative purposes only and forms no part of the claimed design.

1 Claim, 11 Drawing Sheets



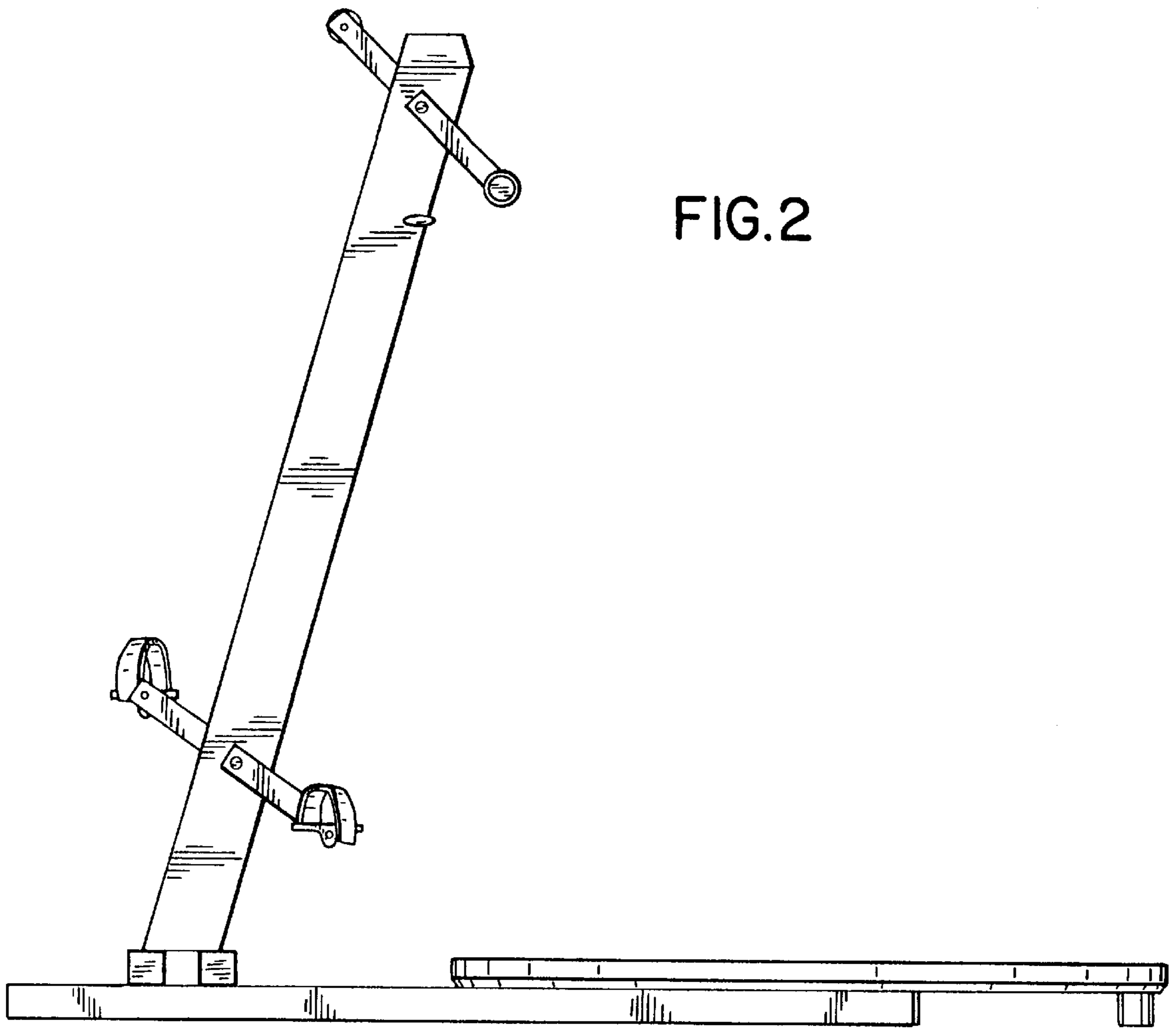


FIG. 2

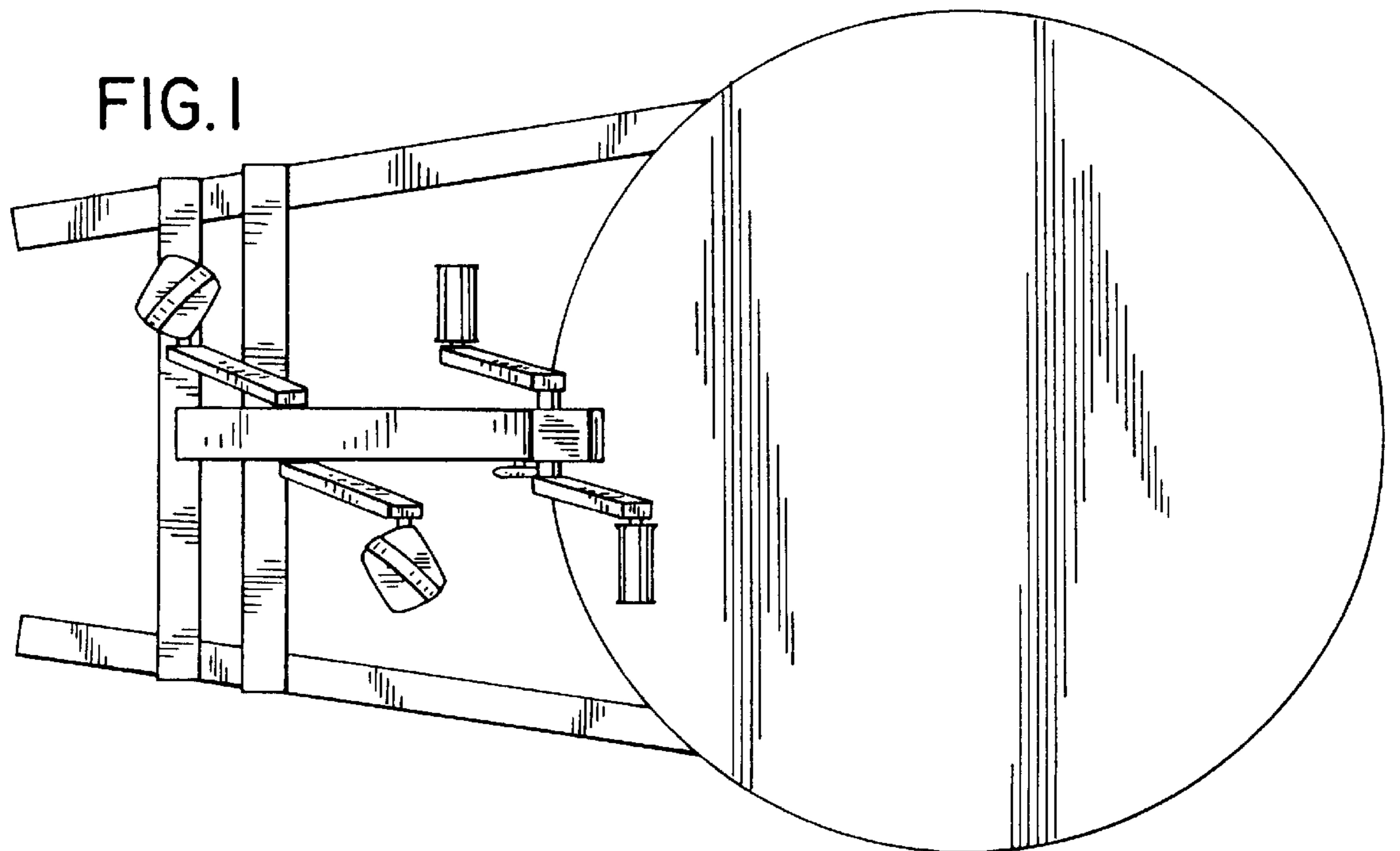


FIG. 1

FIG. 3

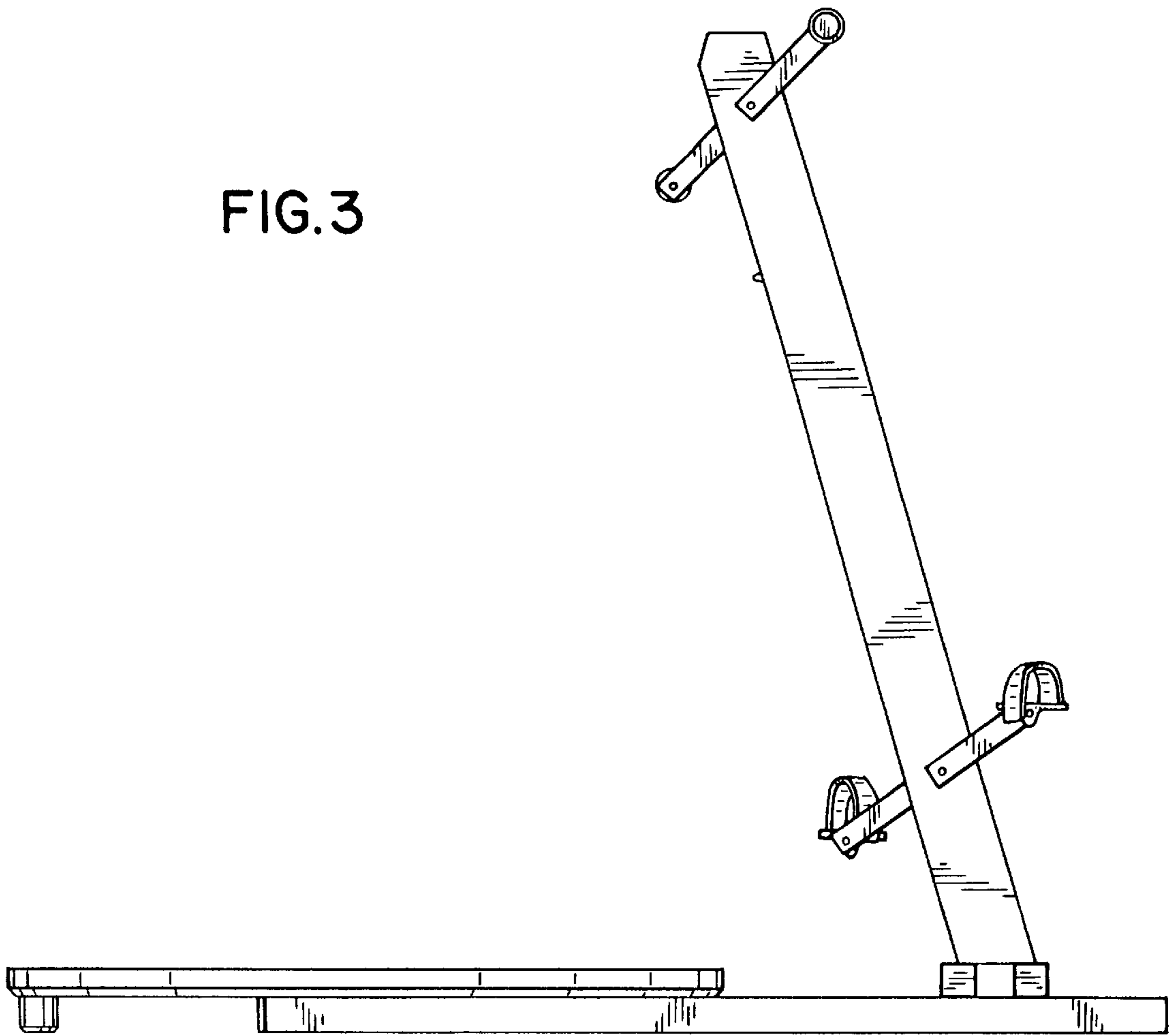


FIG. 6

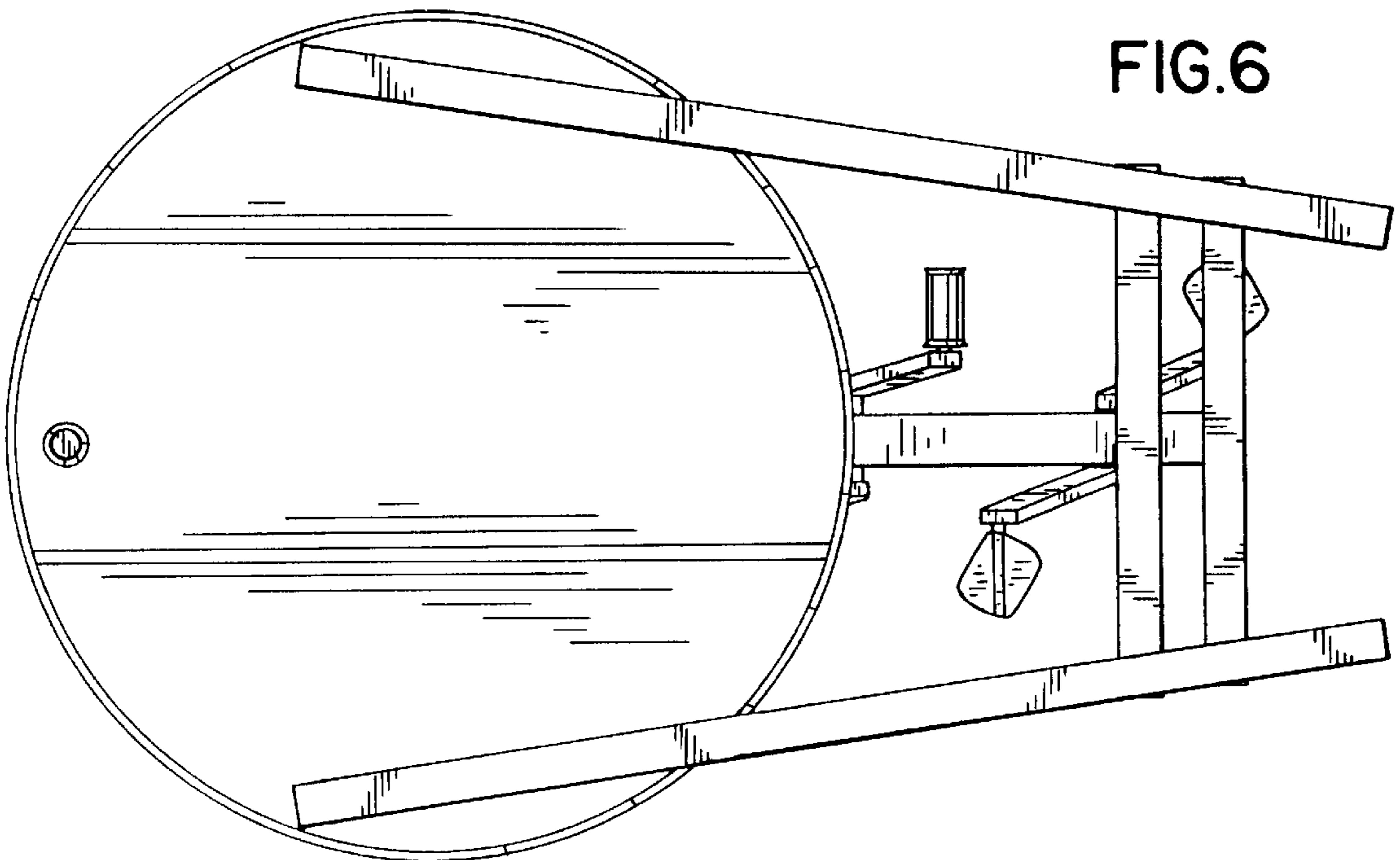


FIG. 4

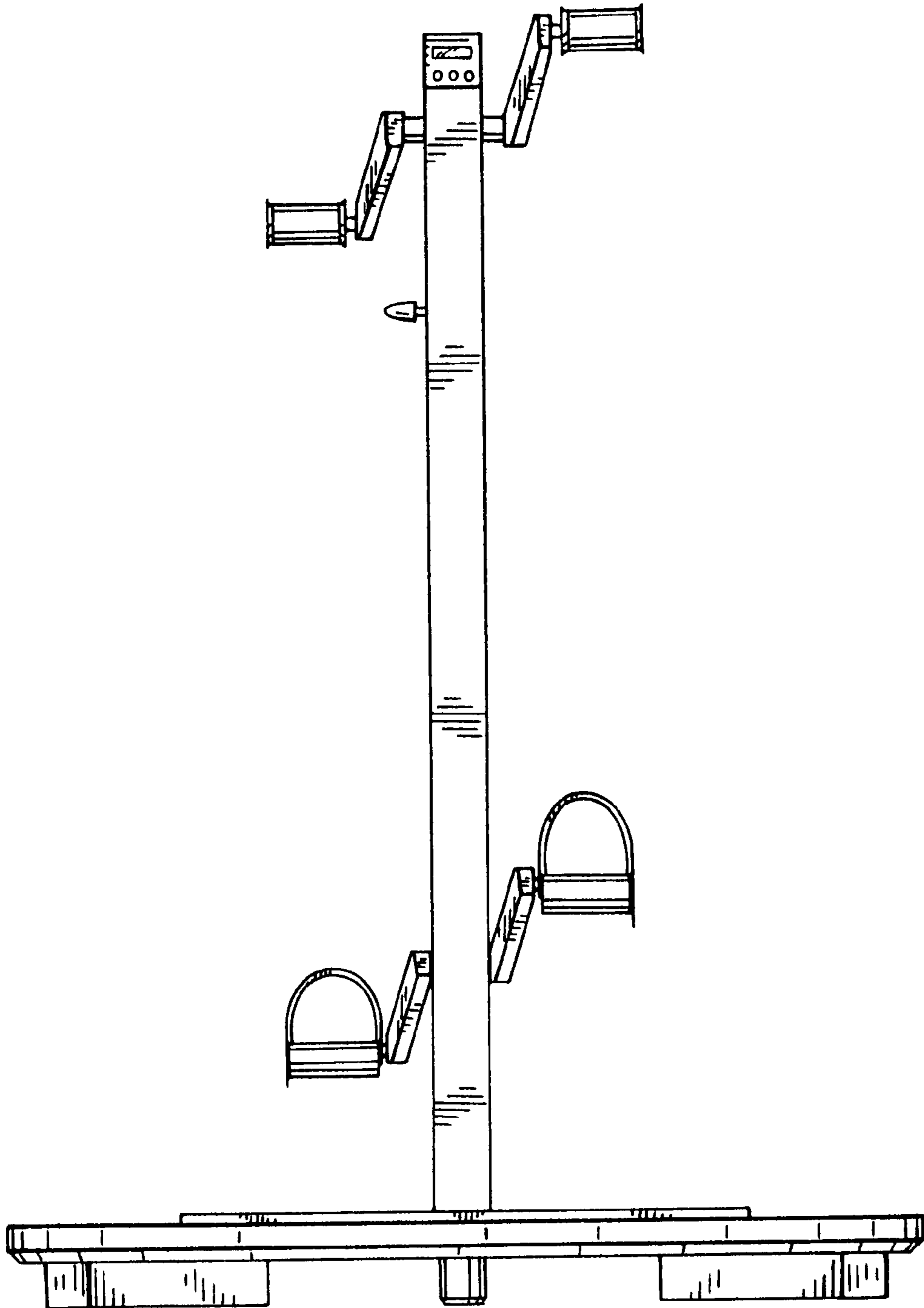


FIG. 5

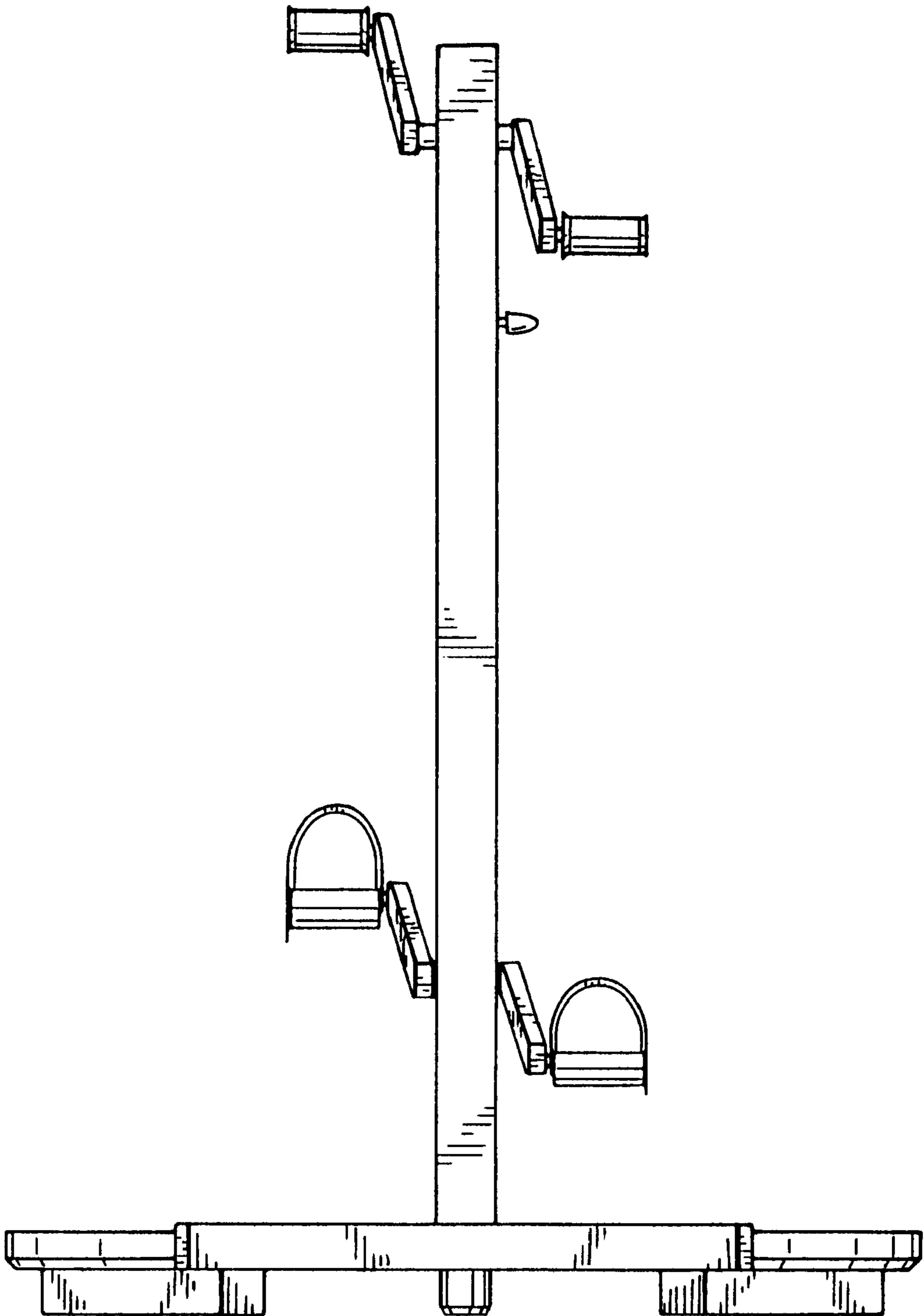


FIG. 7

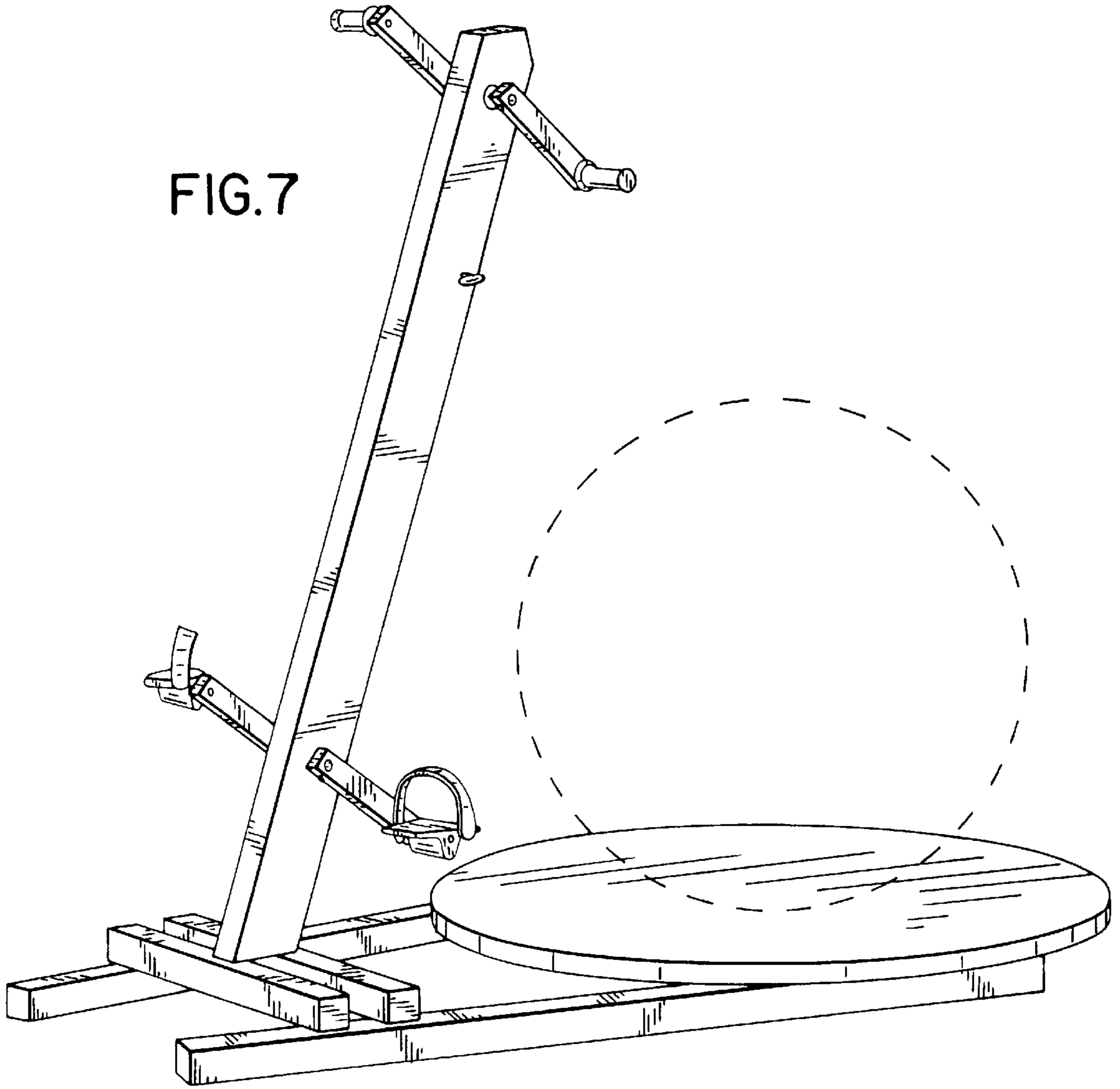


FIG. 13

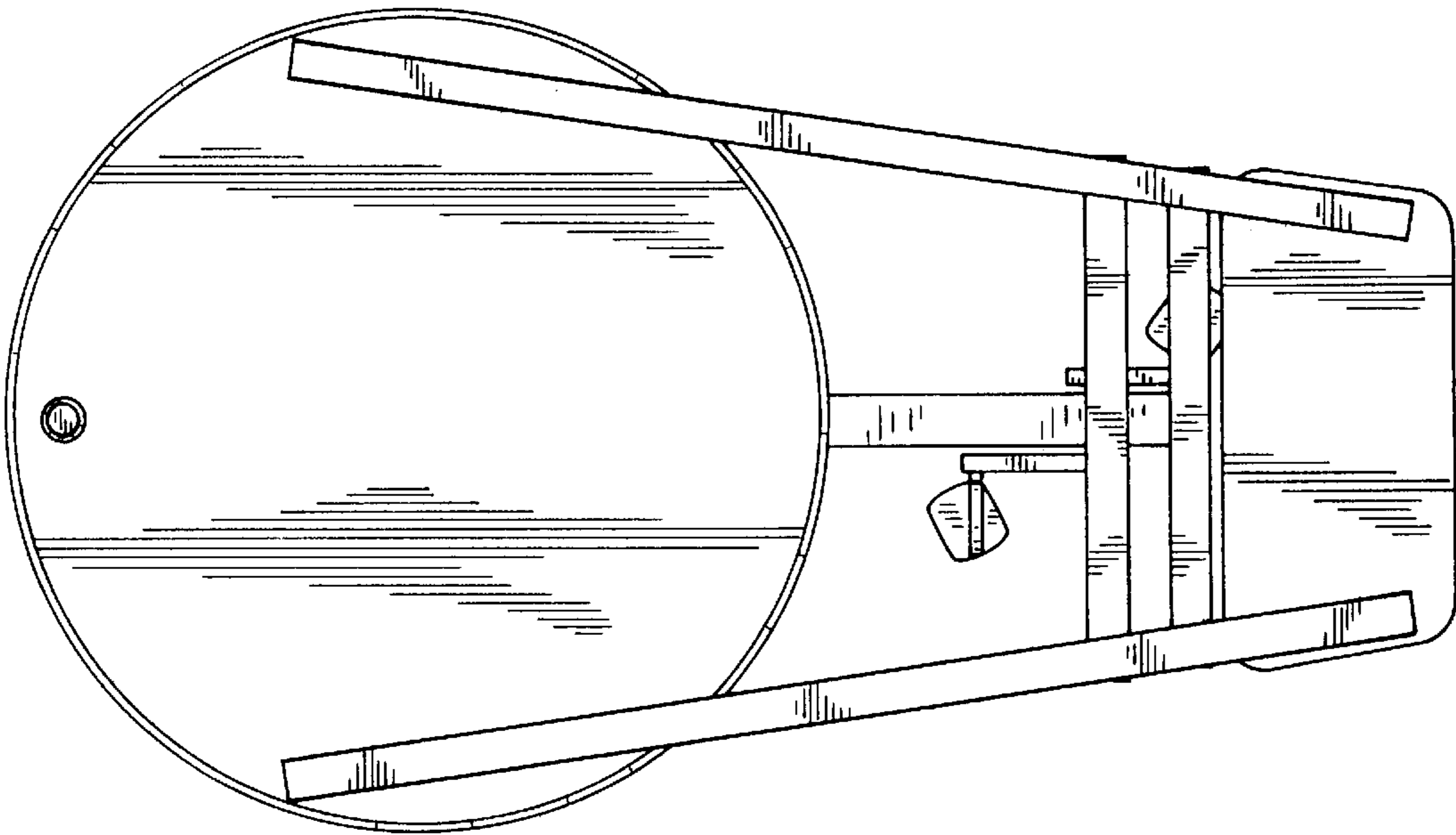
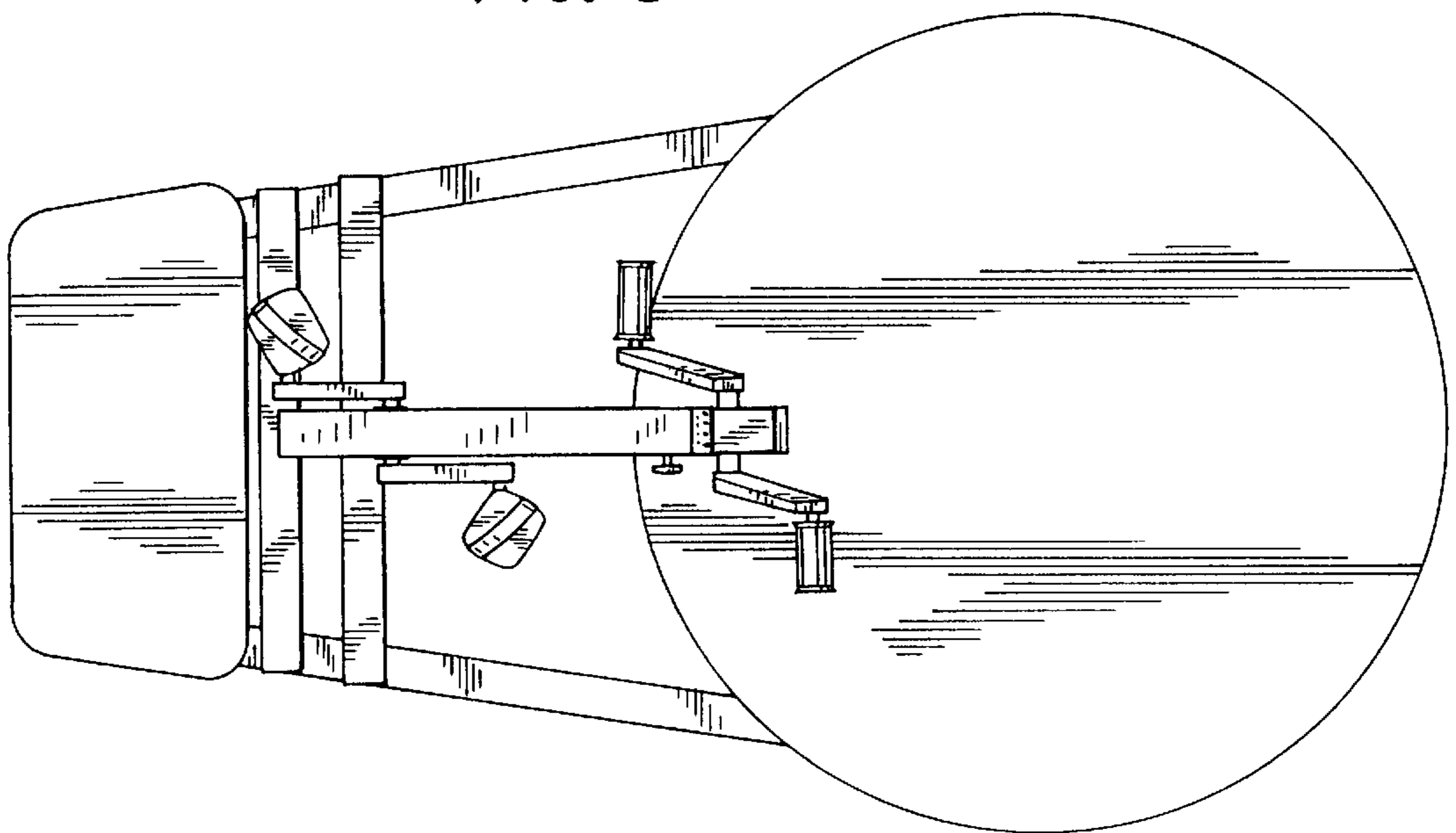


FIG. 8



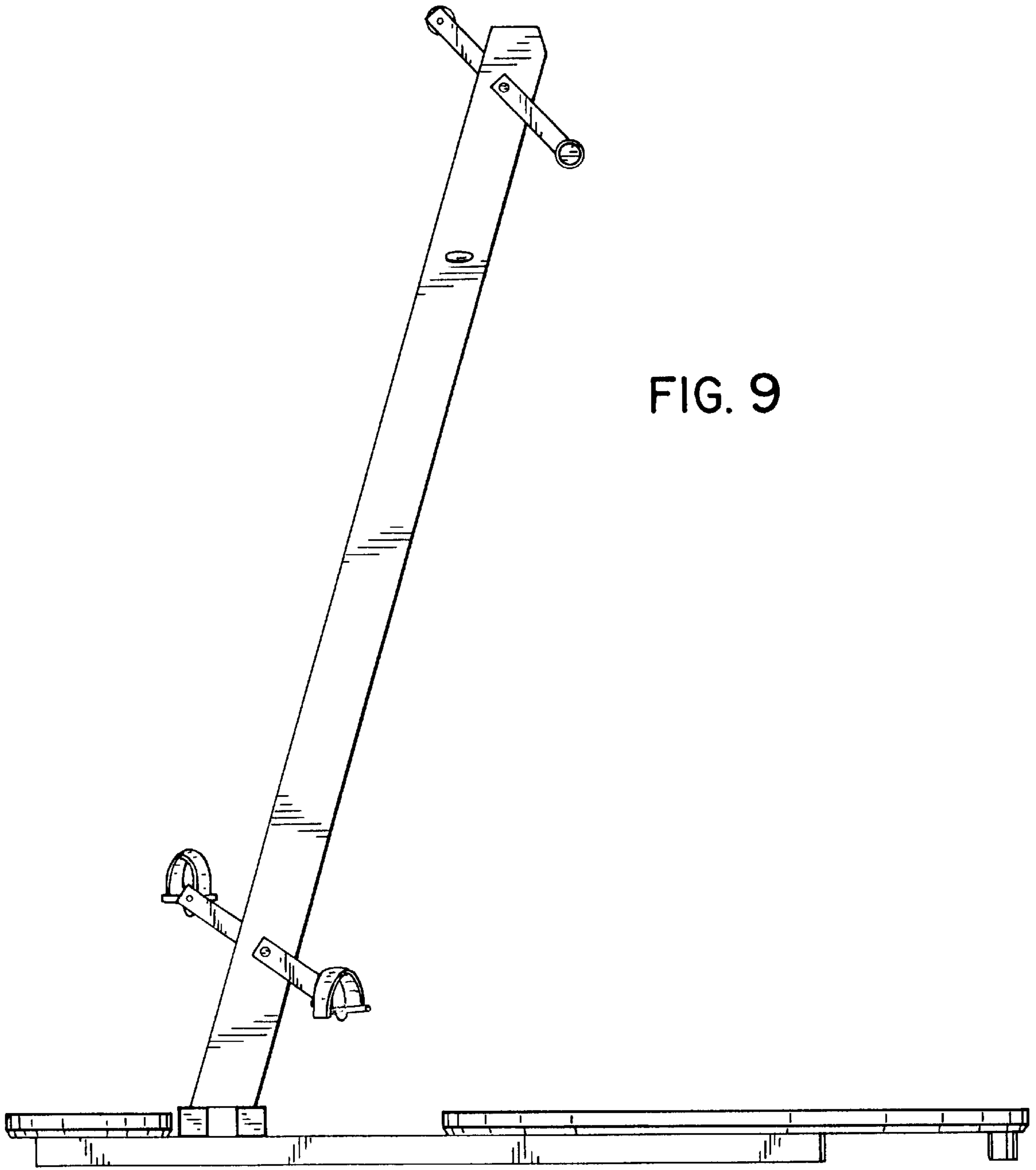


FIG. 9

FIG. 10

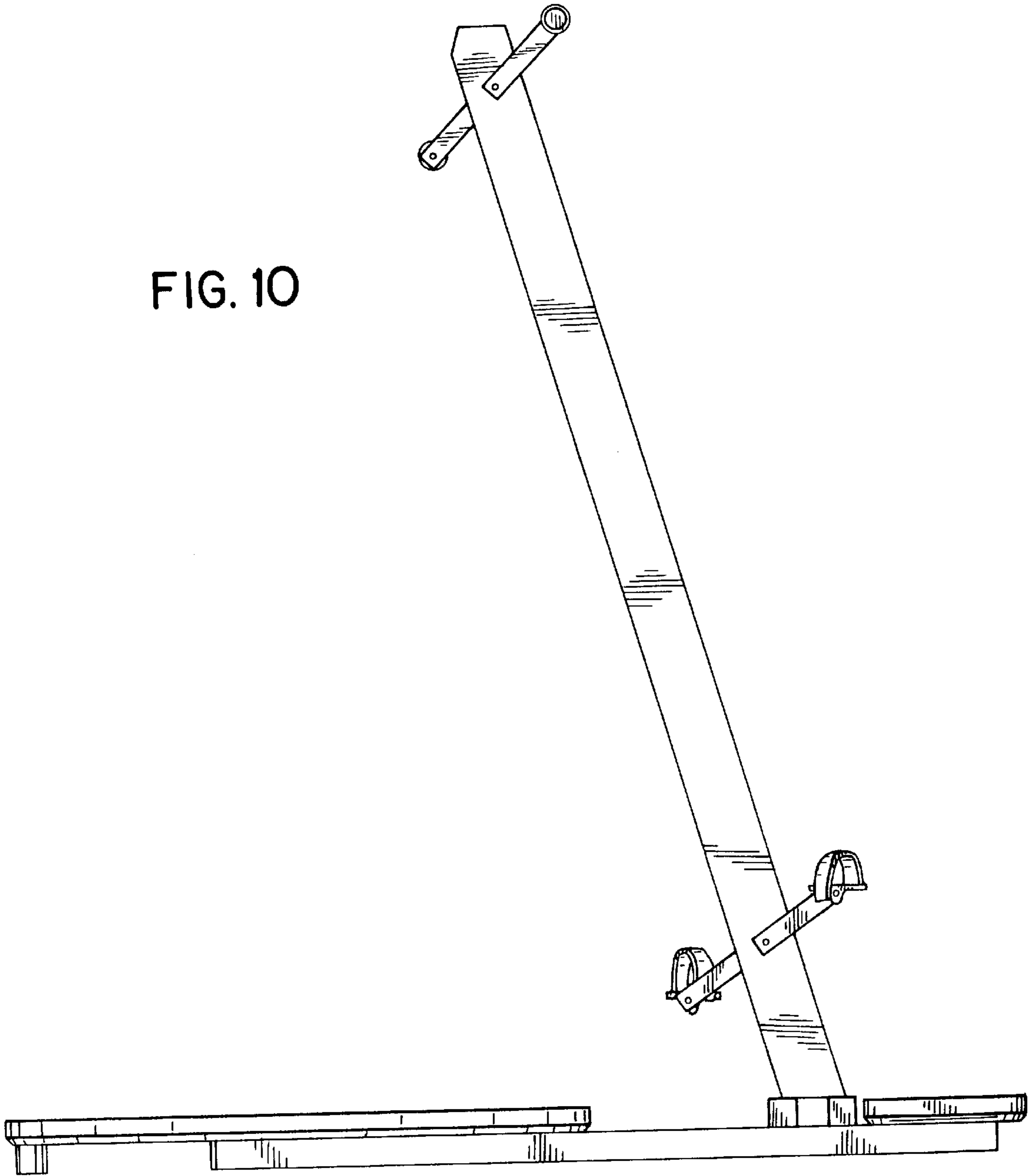


FIG. 11

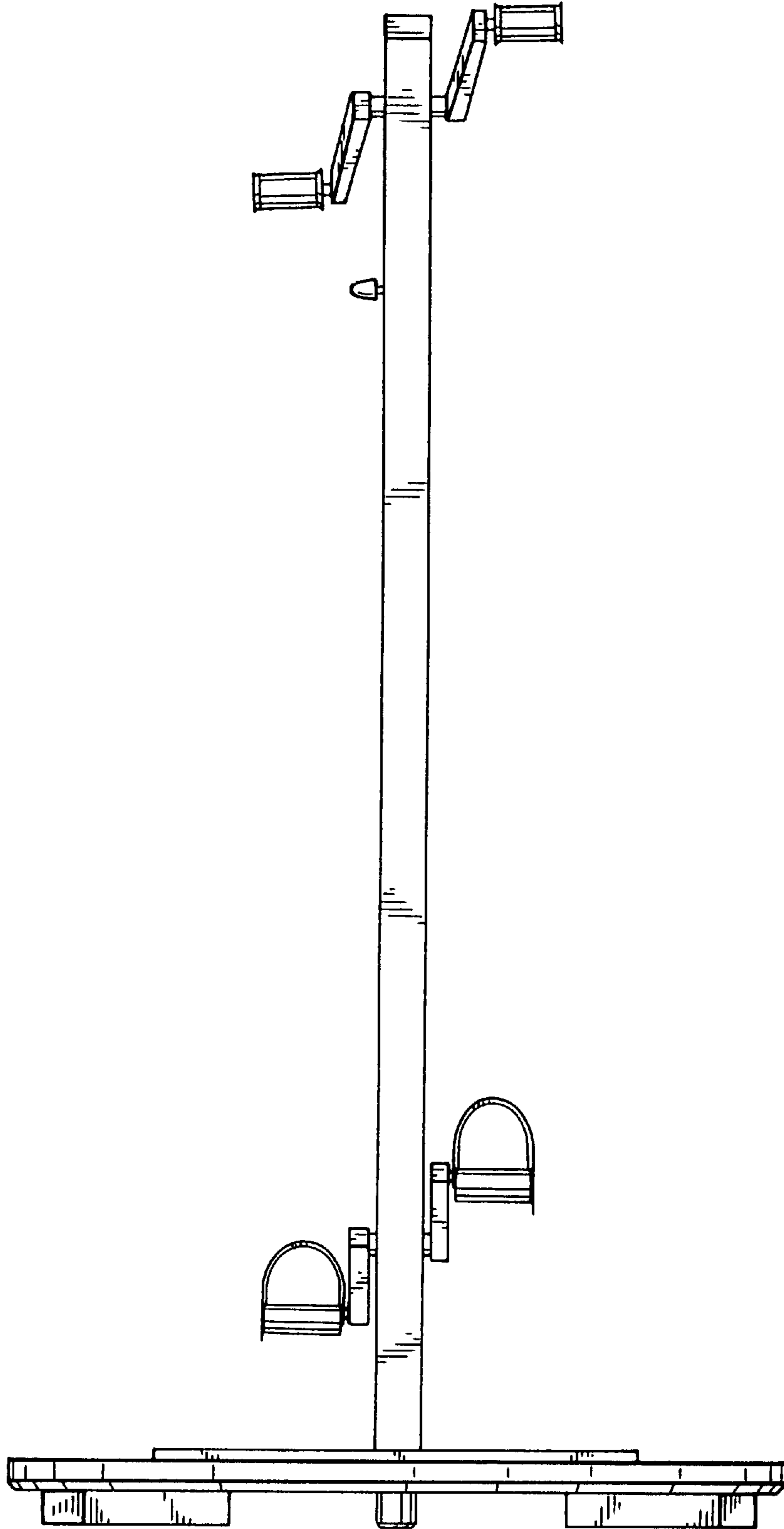


FIG. 12

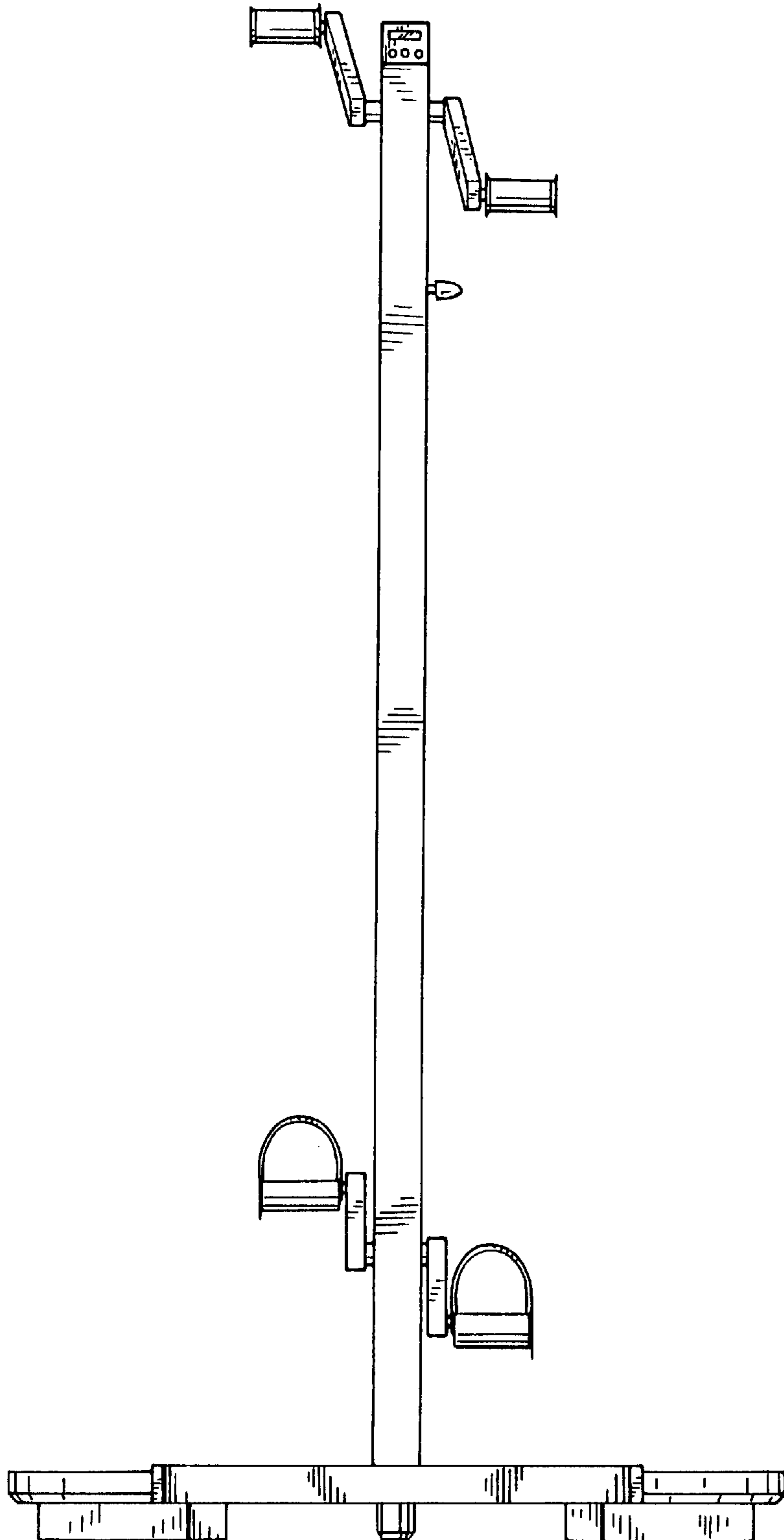


FIG. 14

