



US00D410709S

**United States Patent** [19]  
**Edwards**

[11] **Patent Number: Des. 410,709**  
[45] **Date of Patent: \*\* Jun. 8, 1999**

[54] **ROOF WALK FOR MODEL RAILWAY CAR**

[75] Inventor: **Lawrence D. Edwards**, Eagle Point, Oreg.

[73] Assignee: **Kadee Quality Products Co.**, White City, Oreg.

[\*\*] Term: **14 Years**

[21] Appl. No.: **29/084,848**

[22] Filed: **Mar. 11, 1998**

[51] **LOC (6) Cl.** ..... **21-01**

[52] **U.S. Cl.** ..... **D21/561**

[58] **Field of Search** ..... D21/540, 541,  
D21/561, 562; 446/87, 447, 467; 105/457,  
436; 104/DIG. 1; 238/10 E, 10 F

[56] **References Cited**

**U.S. PATENT DOCUMENTS**

D. 80,168	12/1929	Cuff	.....	D21/540
D. 337,517	7/1993	Hwang	.....	D21/540
1,428,230	9/1922	Hess	.....	105/457
2,209,308	7/1940	Delanty	.....	105/457
2,279,756	4/1942	Lieberman	.....	105/457
2,401,401	6/1946	Bartsch	.....	105/457

*Primary Examiner*—Raphael Barkai  
*Attorney, Agent, or Firm*—Robert D. Varitz, PC

[57] **CLAIM**

The ornamental design for roof walk for model railway car, as shown and described.

**DESCRIPTION**

FIG. 1 is the left part of a right side elevational view of a roof walk for model railway car showing my new design, the broken lines are for illustrative purposes only and form no part of the claimed design;

FIG. 2 is the right part of the right side elevational view thereof, the broken lines are for illustrative purposes only and form no part of the claimed design;

FIG. 3 is the left part of a left side elevational view thereof;

FIG. 4 is the right part of a left side elevational view thereof;

FIG. 5 is a front elevational view thereof;

FIG. 6 is a rear elevational view thereof;

FIG. 7 is the right part of a top plan view thereof;

FIG. 8 is the left part of a top plan view thereof;

FIG. 9 is the right part of a bottom plan view thereof;

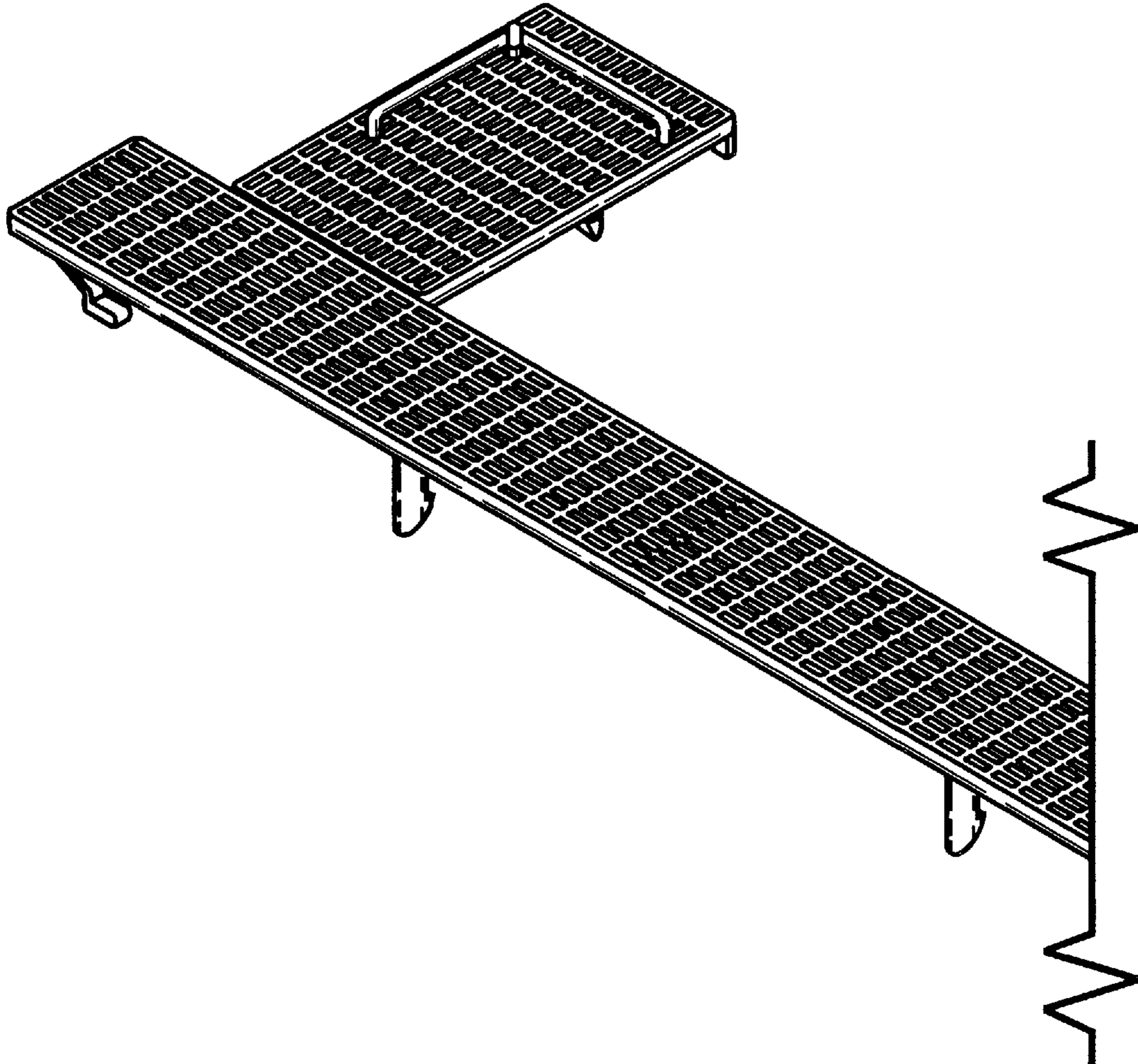
FIG. 10 is the left part of a bottom plan view thereof;

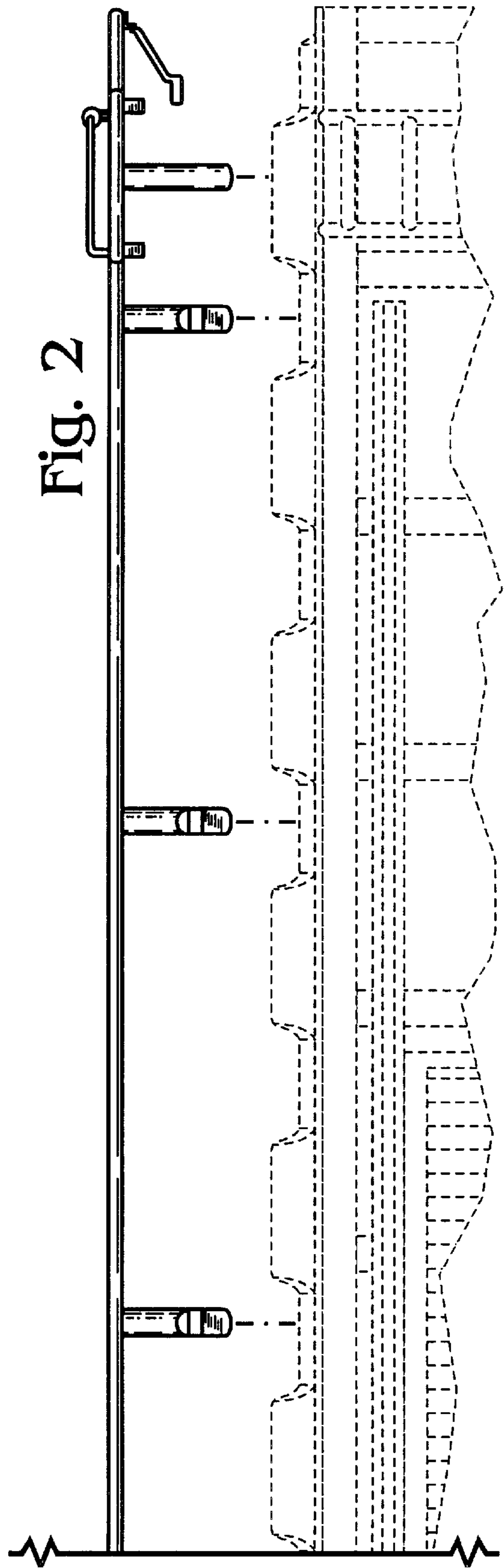
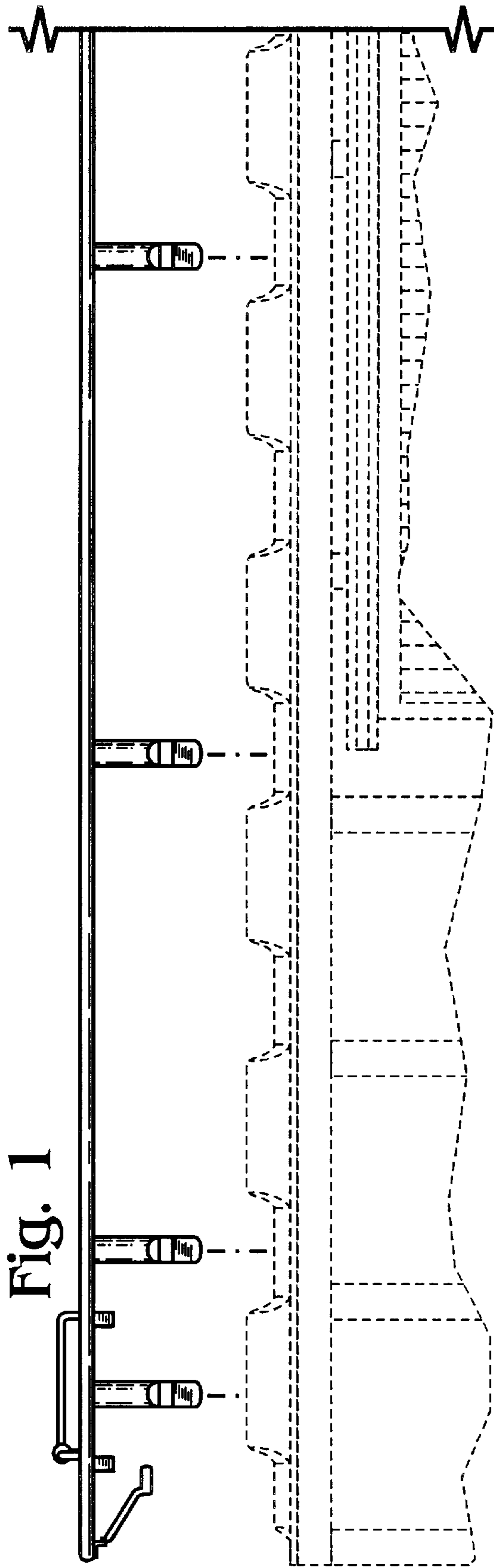
FIG. 11 is the left part of a perspective view thereof;

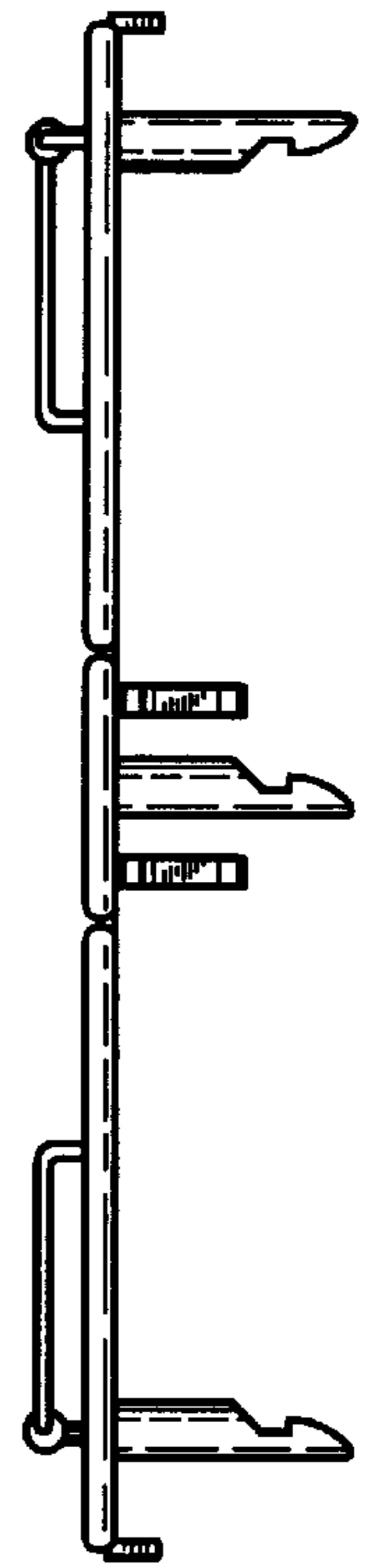
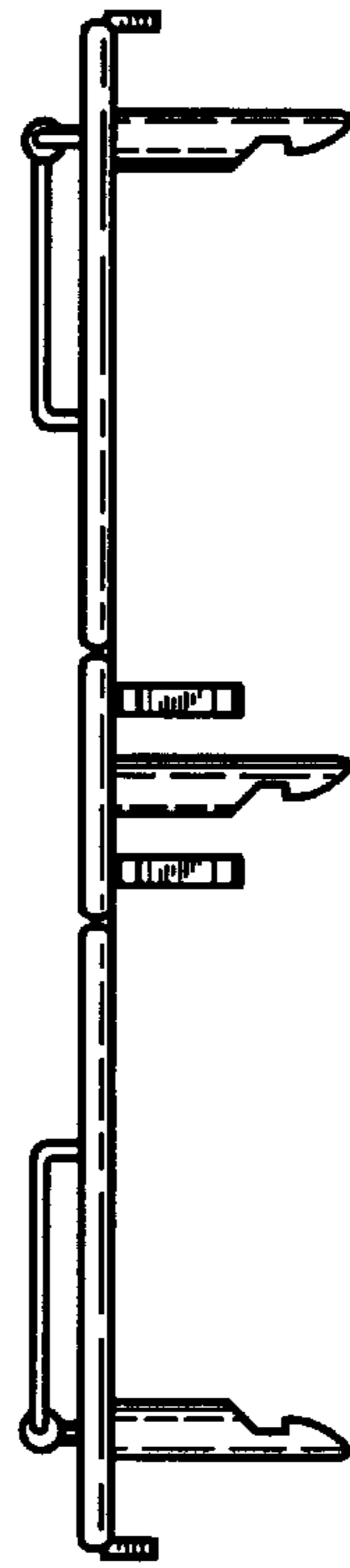
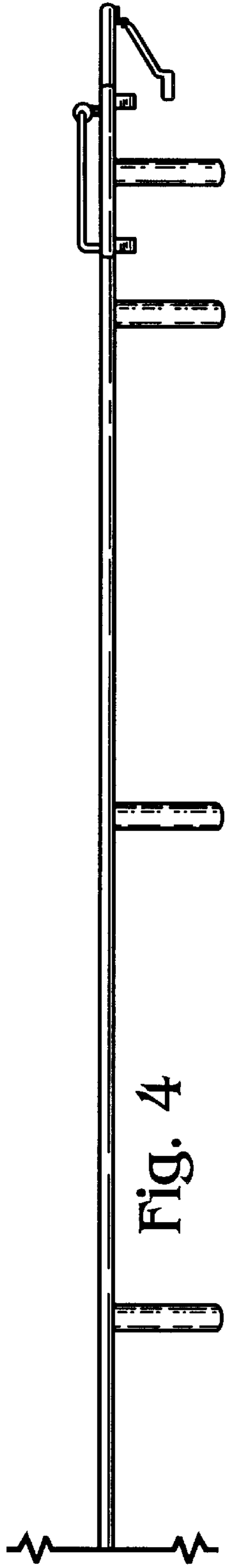
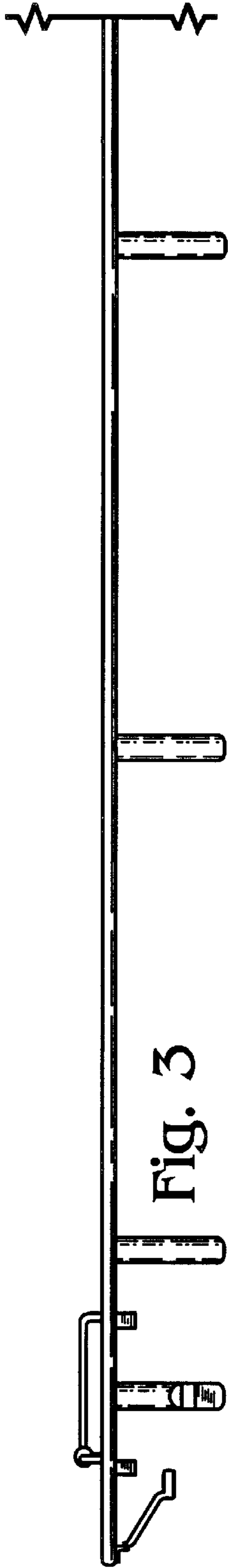
FIG. 12 is the center part of a perspective view thereof; and,

FIG. 13 is a right part of a perspective view thereof.

**1 Claim, 5 Drawing Sheets**







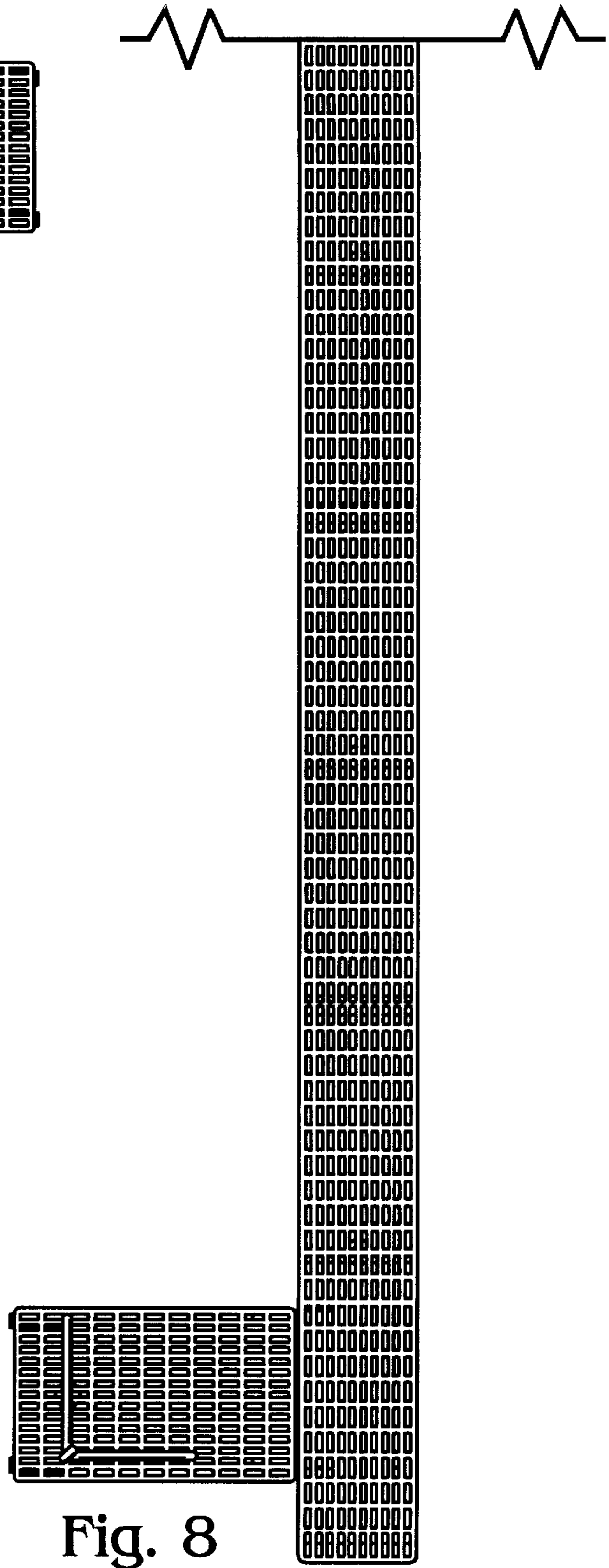
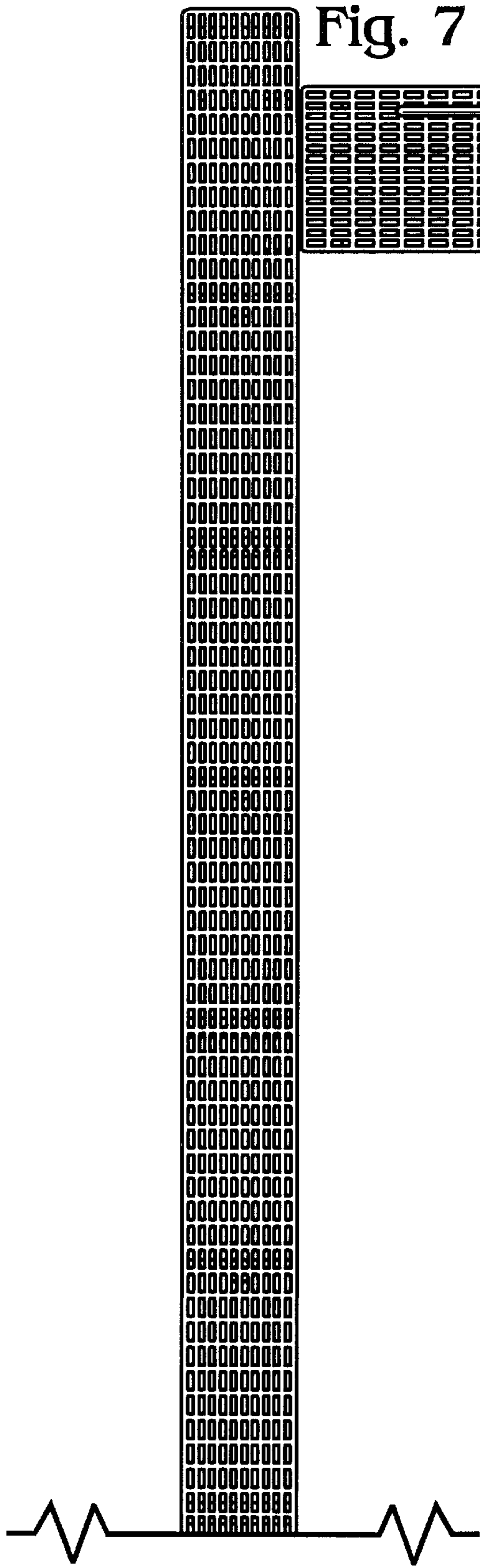


Fig. 8

Fig. 9

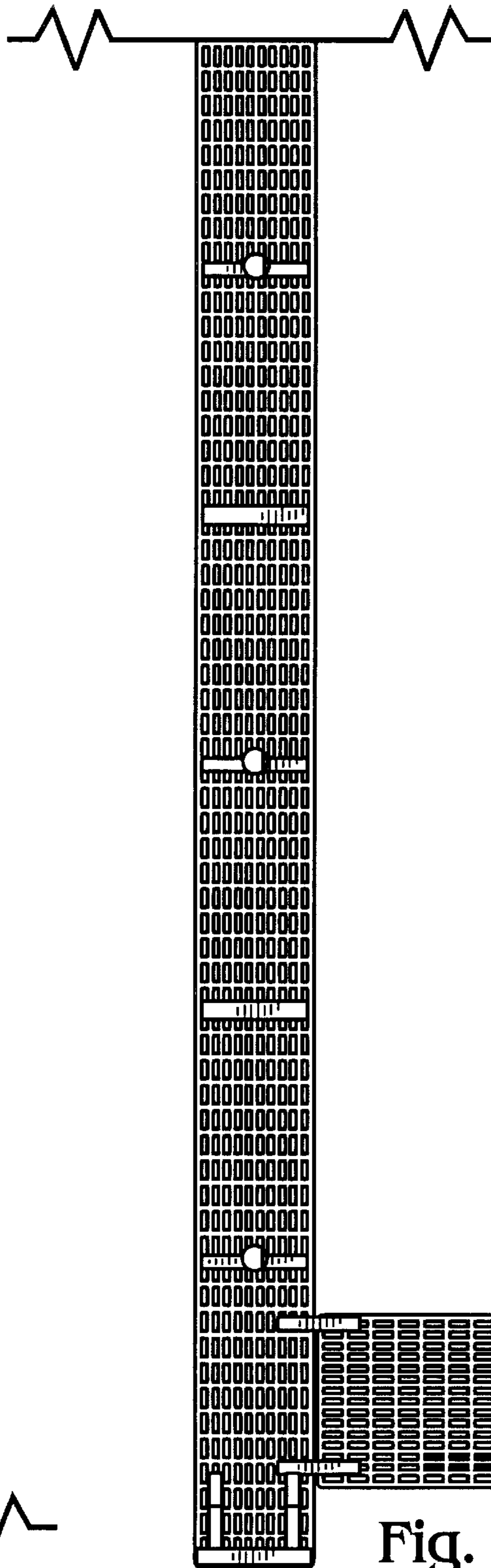
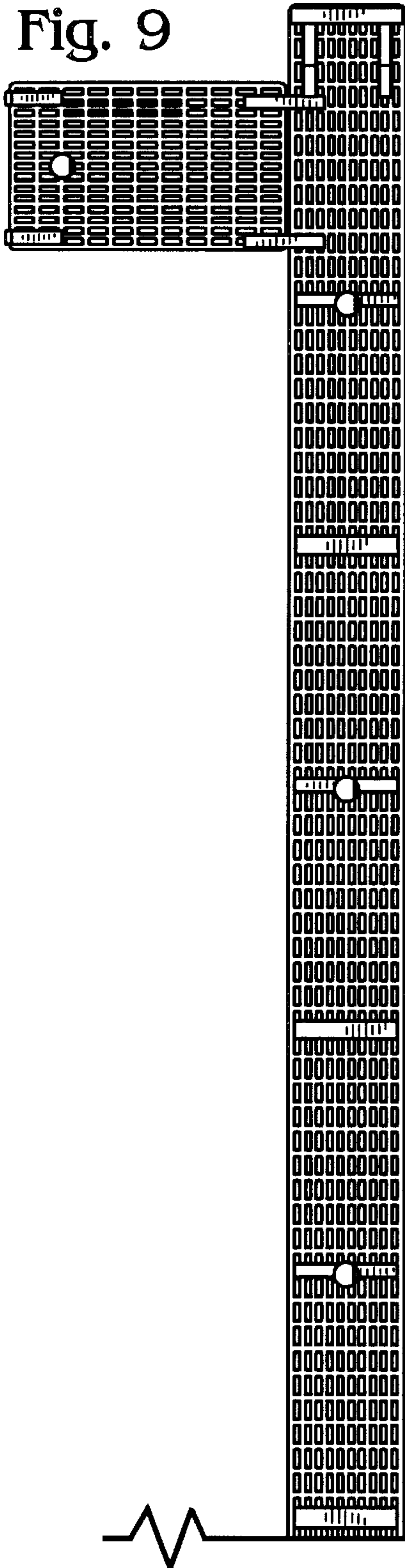


Fig. 10

