



US00D410706S

United States Patent [19] Toft

[11] **Patent Number: Des. 410,706**
[45] **Date of Patent: ** Jun. 8, 1999**

[54] **TOY BUILDING ELEMENT**

3,648,404 3/1972 Ogsbury 446/102
3,924,348 12/1975 Taylor et al. 446/102
4,998,903 3/1991 Bolli et al. 446/102

[75] Inventor: **Uffe K. Toft**, Aarhus C, Denmark

[73] Assignee: **INTERLEGO AG**, Baar, Switzerland

[**] Term: **14 Years**

Primary Examiner—Raphael Barkai
Attorney, Agent, or Firm—Kane, Dalsimer, Sullivan, Kurucz,
Levy, Eisele and Richard, LLP

[21] Appl. No.: **29/094,999**

[57] **CLAIM**

[22] Filed: **Oct. 14, 1998**

The ornamental design for a toy building element, as shown and described.

[51] **LOC (6) Cl.** **21-01**

[52] **U.S. Cl.** **D21/487**

[58] **Field of Search** D21/484–505,
D21/561, 562; D8/382; 446/85, 88, 89,
93–96, 102–106, 124, 128

DESCRIPTION

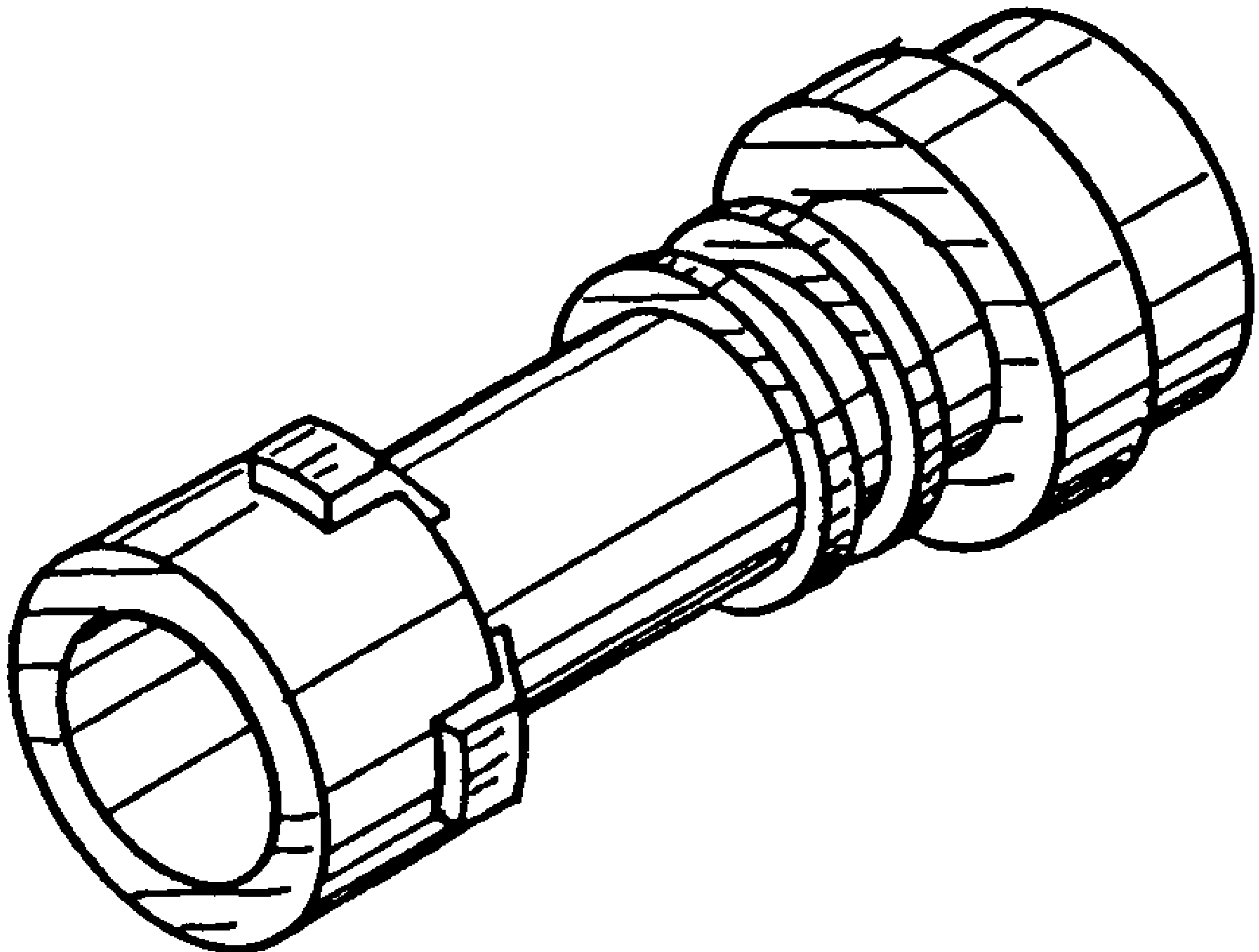
[56] **References Cited**

U.S. PATENT DOCUMENTS

D. 231,550 4/1974 Norman D21/493
D. 276,830 12/1984 Petersson D21/487
D. 381,257 7/1997 Hirano et al. D8/382
2,609,638 9/1952 Lindenmeyer D21/484

FIG. 1 is a top perspective view of the toy building element, FIG. 2 is a top plan view thereof, FIG. 3 is a front elevational view thereof, FIG. 4 is a bottom plan view thereof, FIG. 5 is a right side elevational view thereof, FIG. 6 is a left side elevational view thereof, FIG. 7 is a rear elevational view thereof; and, FIG. 8 is a bottom perspective view thereof.

1 Claim, 1 Drawing Sheet



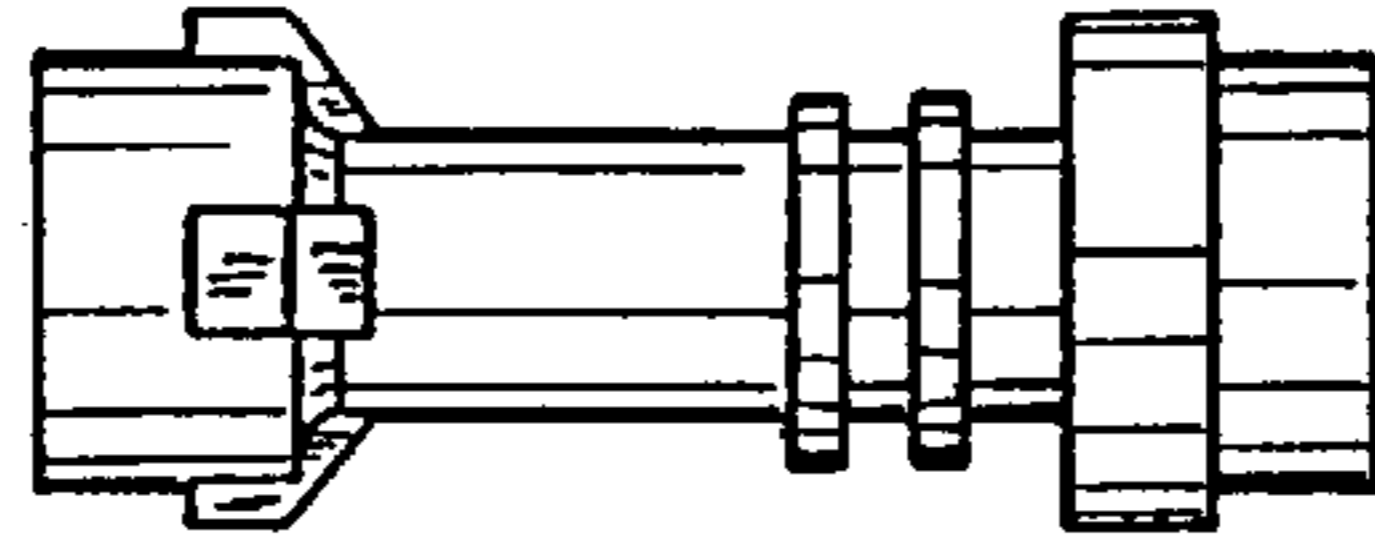


FIG. 4

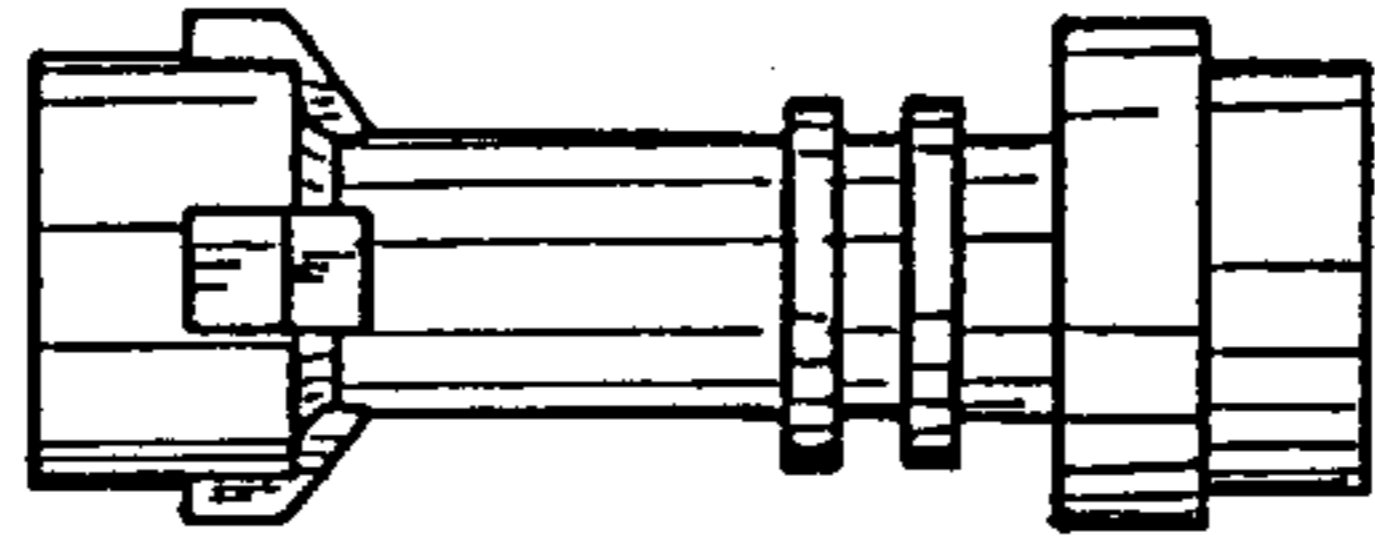


FIG. 6



FIG. 7

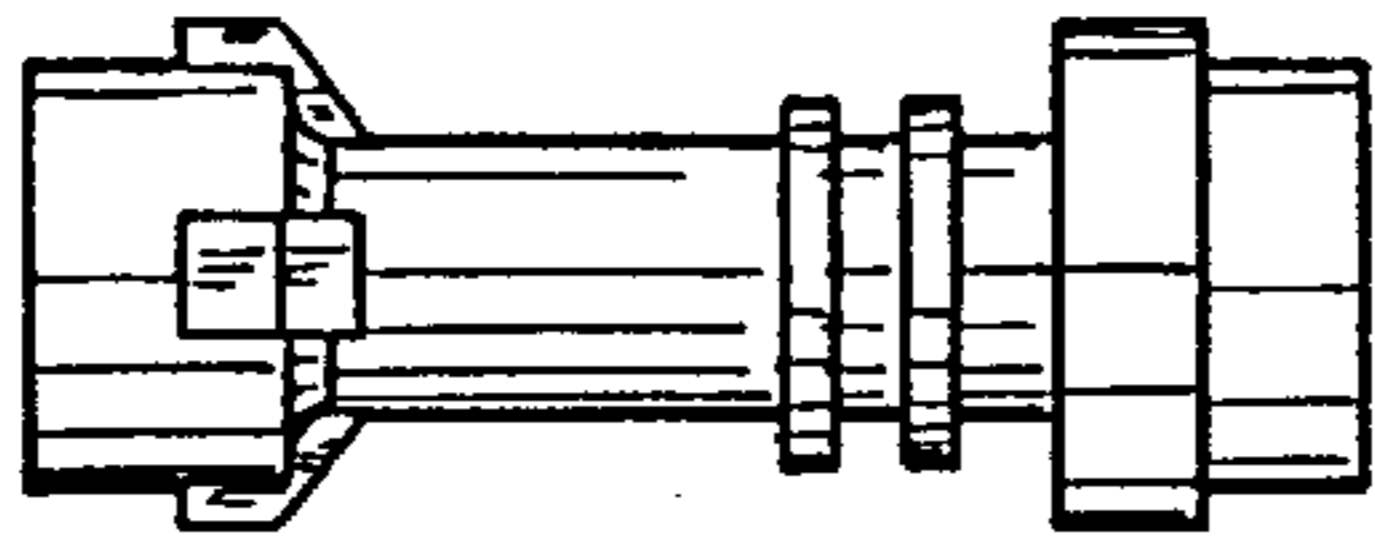


FIG. 2

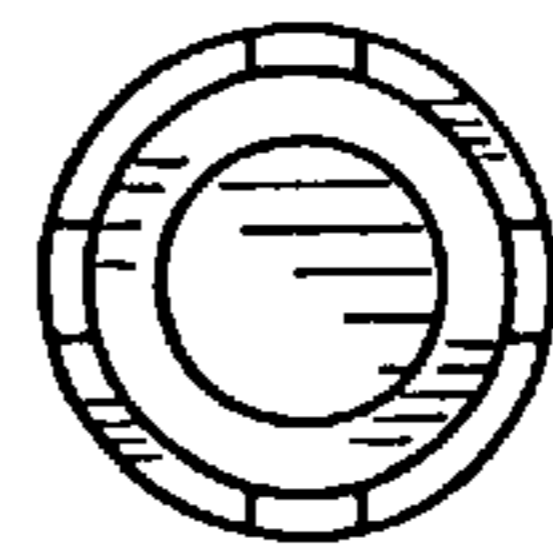


FIG. 3

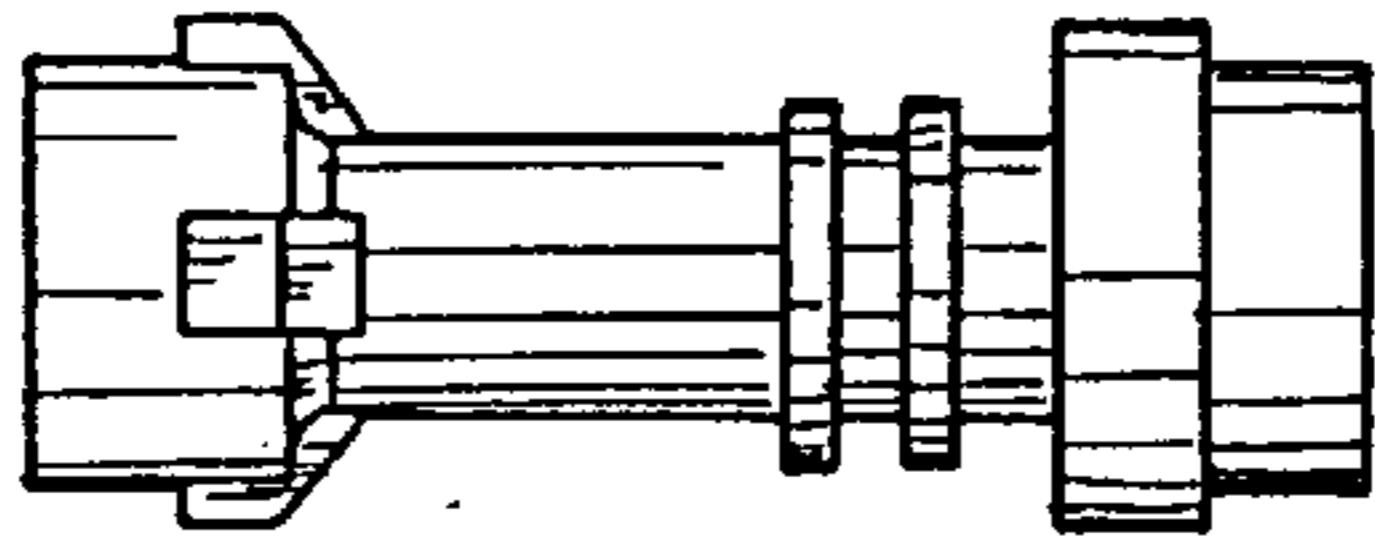


FIG. 5

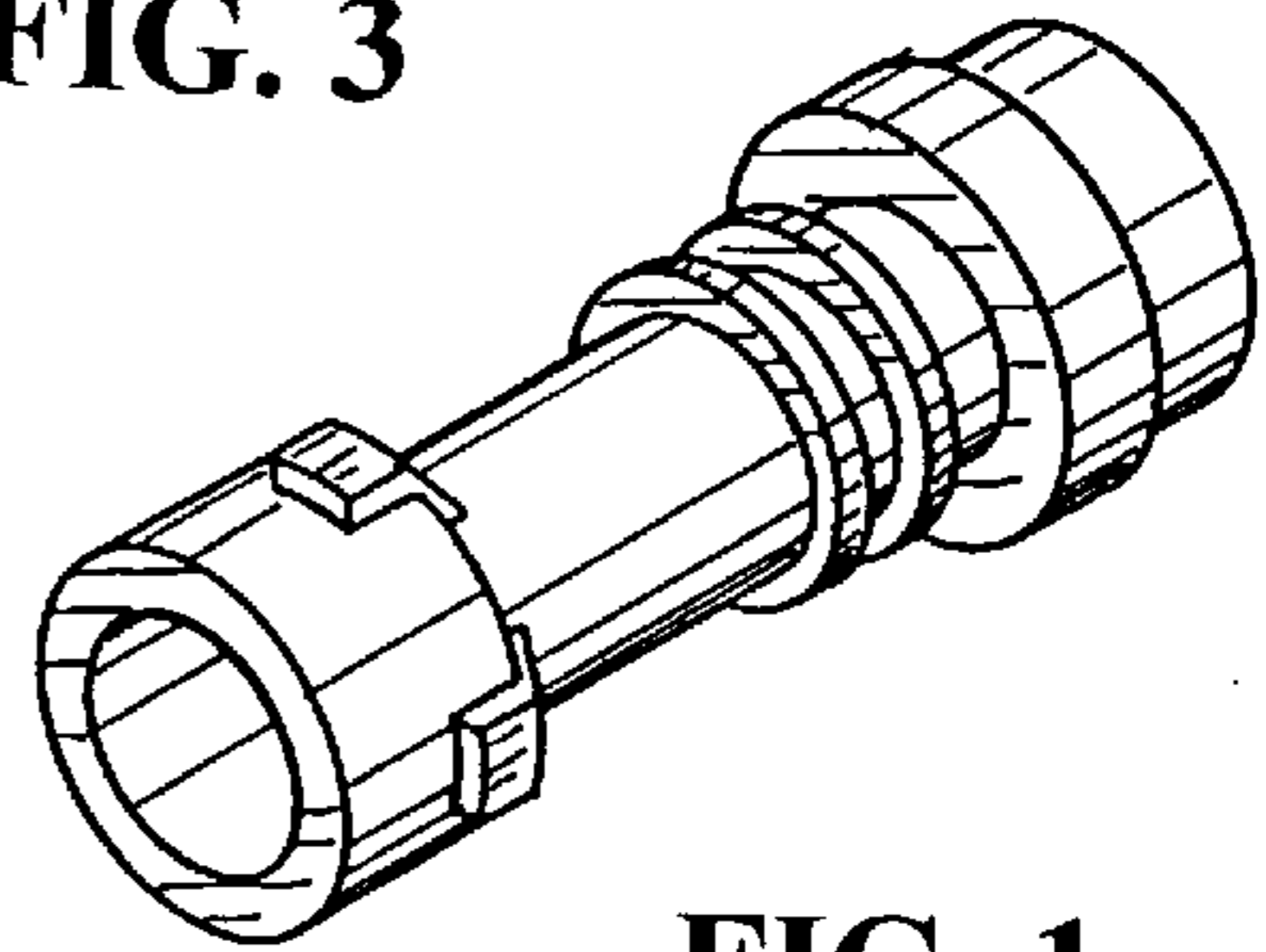


FIG. 1

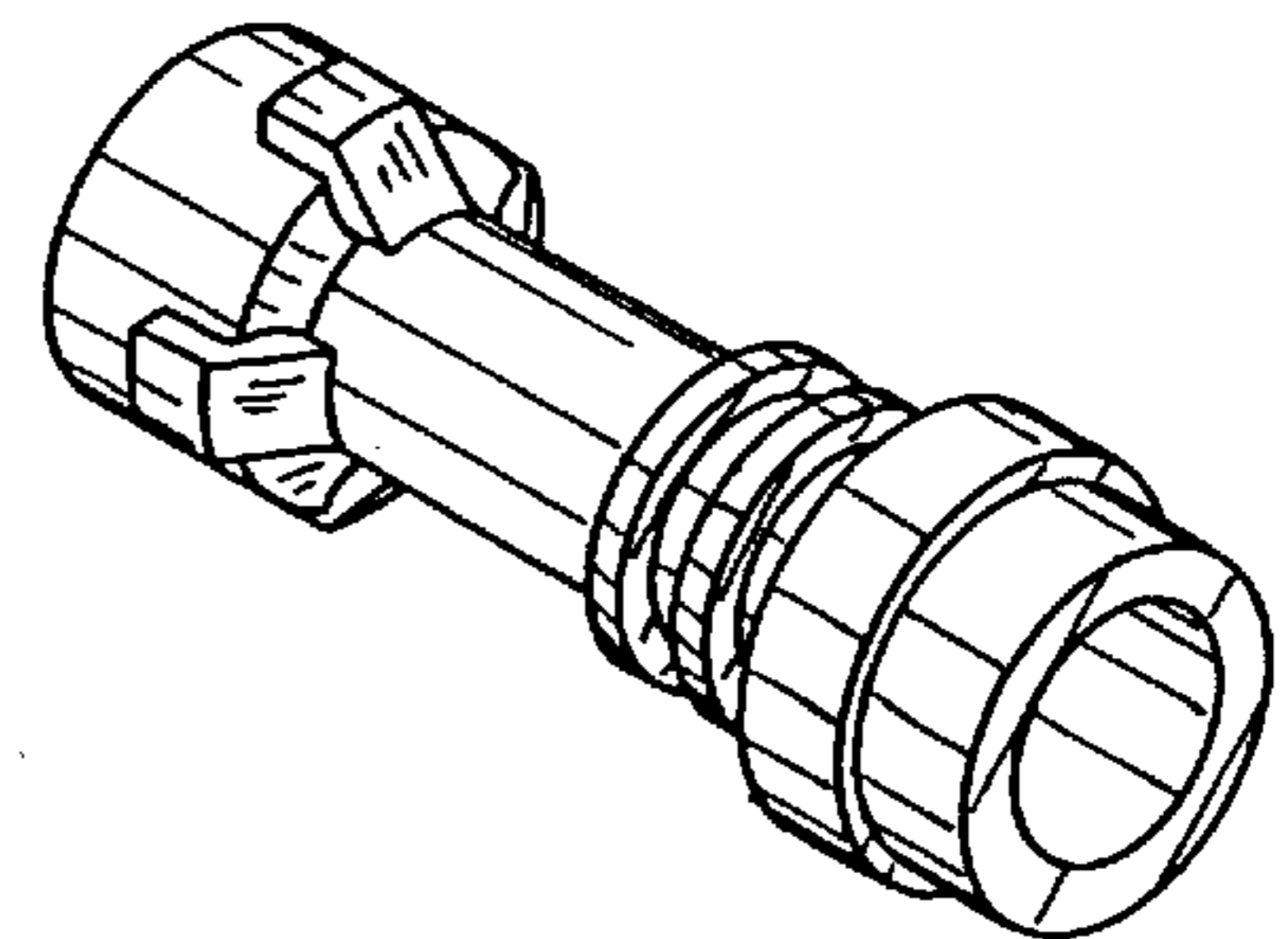


FIG. 8