



US00D410705S

United States Patent [19] Toft

[11] **Patent Number: Des. 410,705**

[45] **Date of Patent: ** Jun. 8, 1999**

[54] **TOY BUILDING ELEMENT**

[75] Inventor: **Uffe K. Toft**, Aarhus C, Denmark

[73] Assignee: **INTERLEGO AG**, Baar, Switzerland

[**] Term: **14 Years**

[21] Appl. No.: **29/094,965**

[22] Filed: **Oct. 14, 1998**

[51] **LOC (6) Cl.** **21-01**

[52] **U.S. Cl.** **D21/486; D21/493**

[58] **Field of Search** D21/484-505,
D21/578, 594, 621-622, 630-649, 658;
446/85, 93-101, 102-106, 124, 268-269,
284, 285, 276, 376, 330, 354, 356

[56] **References Cited**

U.S. PATENT DOCUMENTS

D. 334,780	4/1993	Olsen	D21/495
D. 352,078	11/1994	Bertrand	D21/621
D. 363,512	10/1995	Bluff	D21/503
D. 366,076	1/1996	Pedersen	D21/621

3,221,439	12/1965	Schaper	446/95
4,352,255	10/1982	Warehime	446/102
5,049,104	9/1991	Olsen	446/104
5,645,463	7/1997	Olsen	446/104

Primary Examiner—Raphael Barkai
Attorney, Agent, or Firm—Kane,Dalsimer,Sullivan, Kurucz,
Levy, Eisele and Richard, LLP

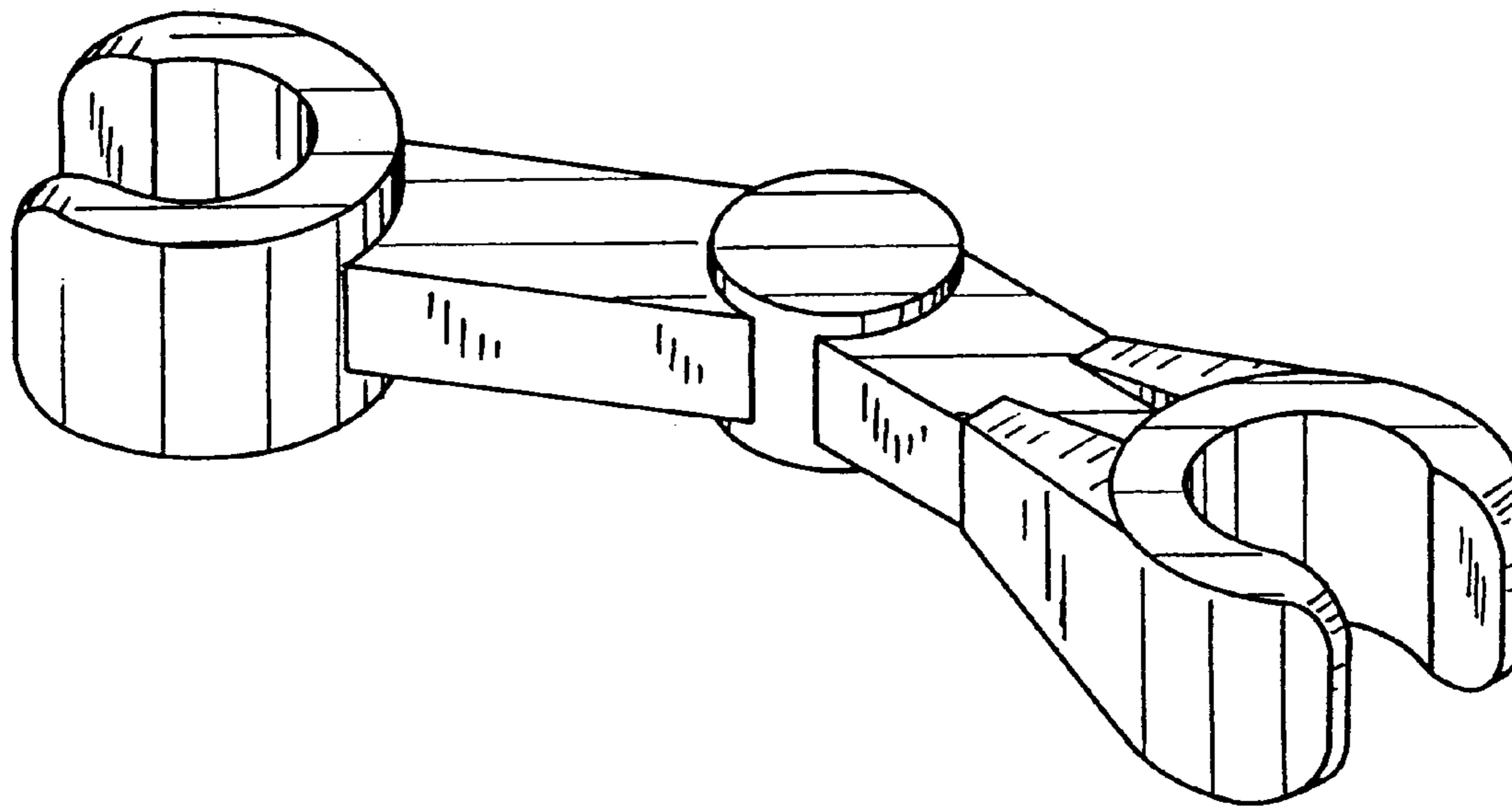
[57] CLAIM

The ornamental design for a toy building element, as shown and described.

DESCRIPTION

FIG. 1 is a top perspective view of the toy building element, FIG. 2 is a top plan view thereof, FIG. 3 is a front elevational view thereof, FIG. 4 is a bottom plan view thereof, FIG. 5 is a right side elevational view thereof, FIG. 6 is a left side elevational view thereof, FIG. 7 is rear elevational view thereof; and, FIG. 8 is a bottom perspective view thereof.

1 Claim, 2 Drawing Sheets



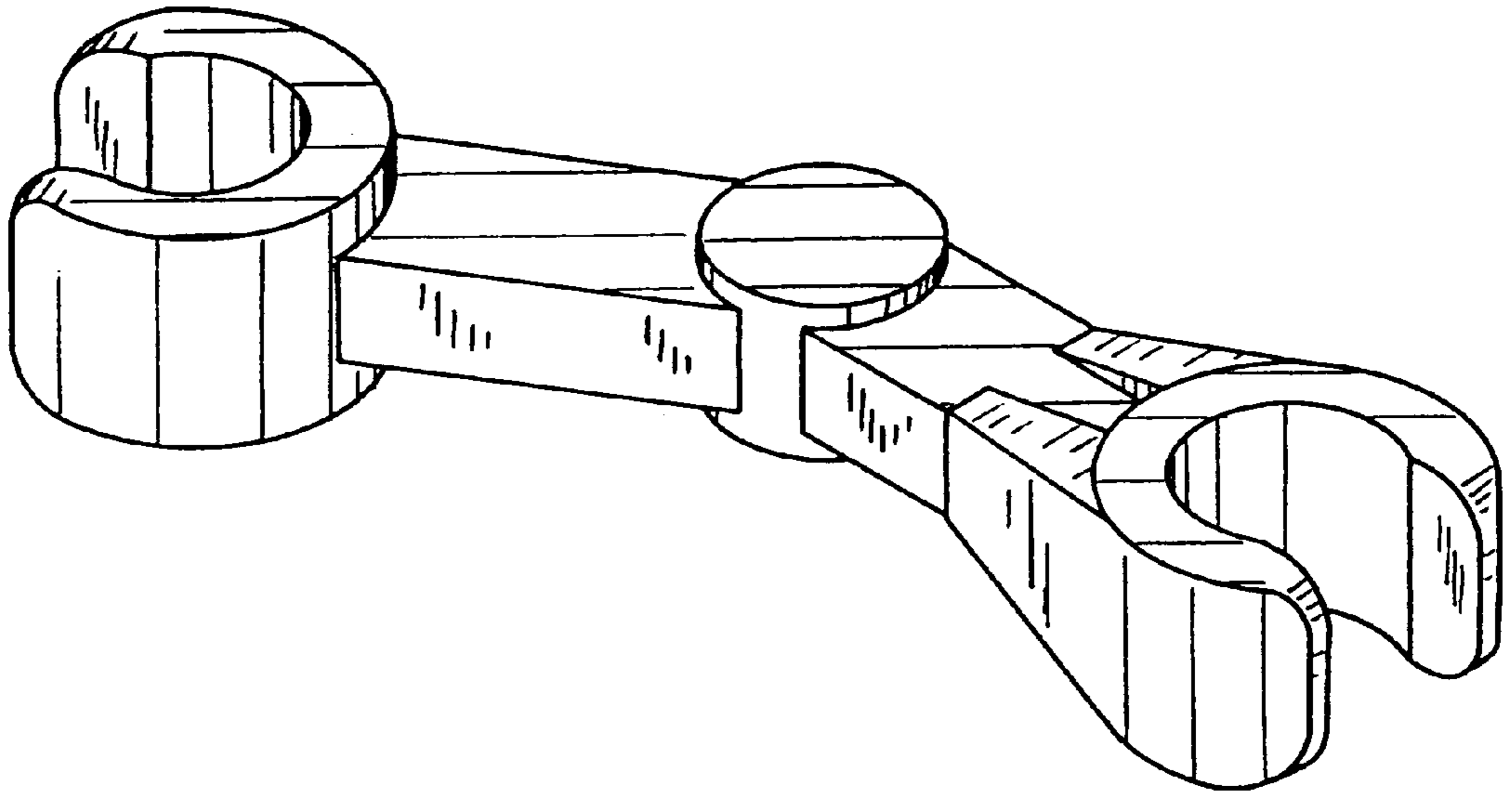


FIG. 1

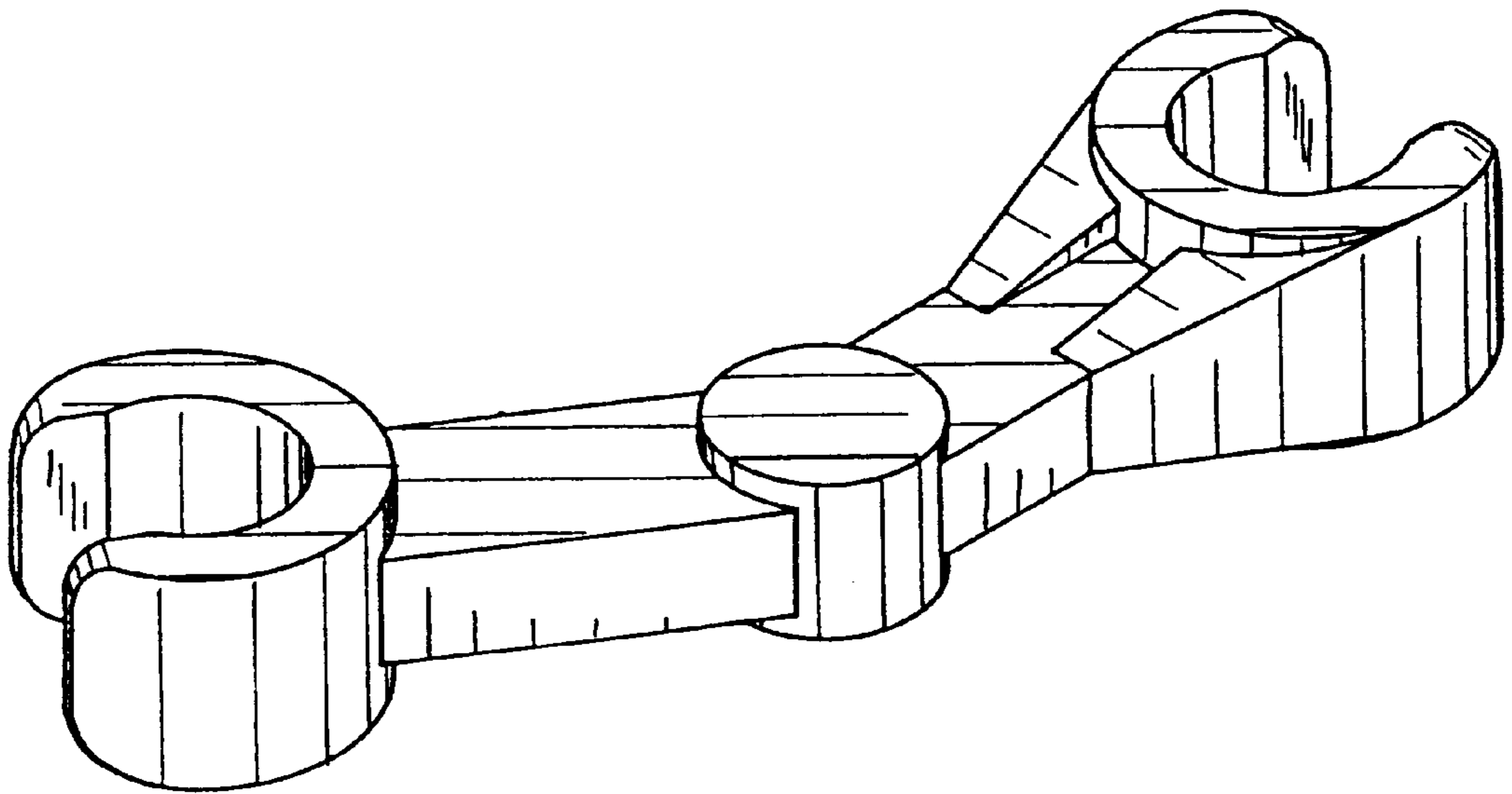


FIG. 8

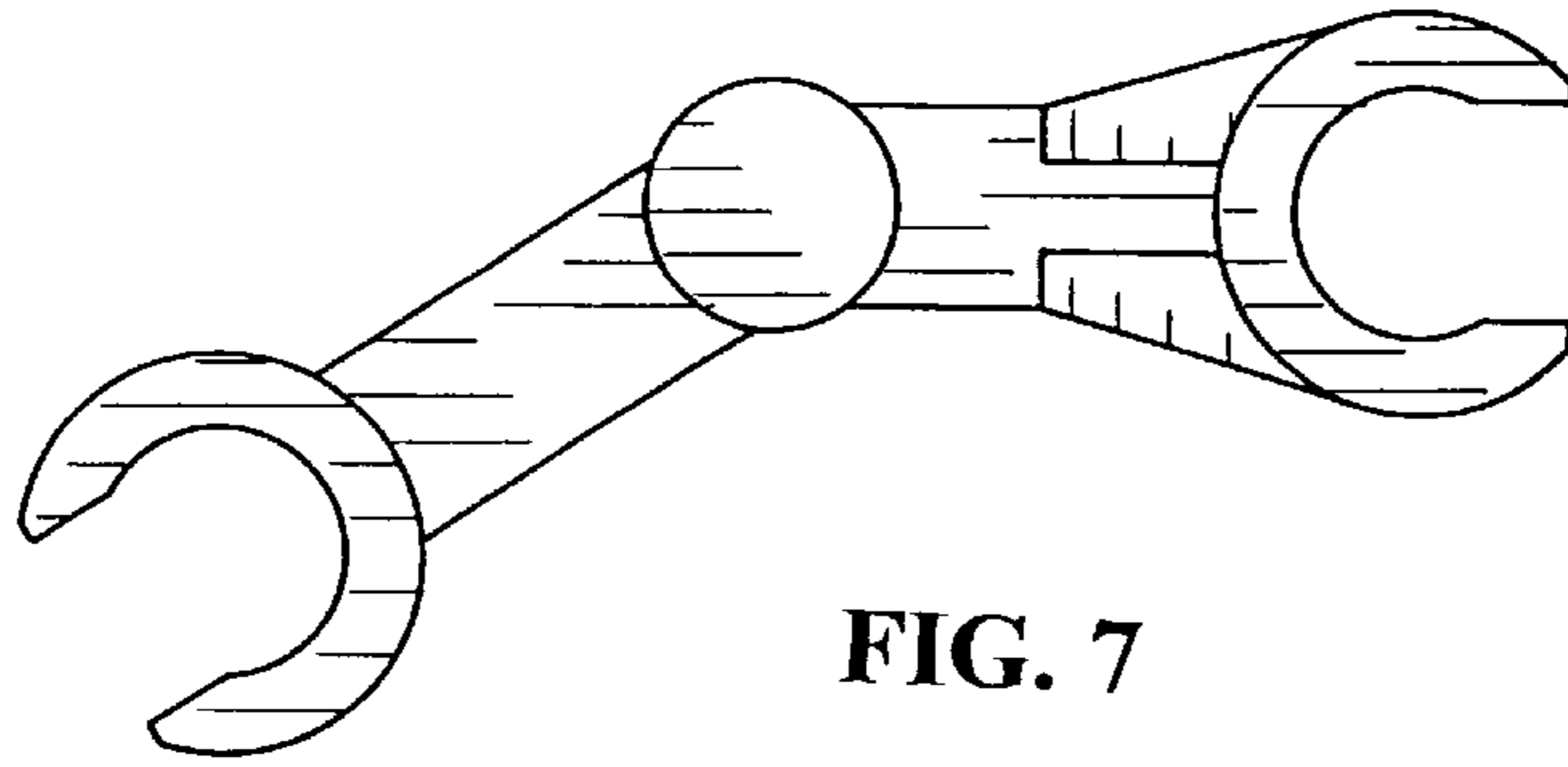


FIG. 7

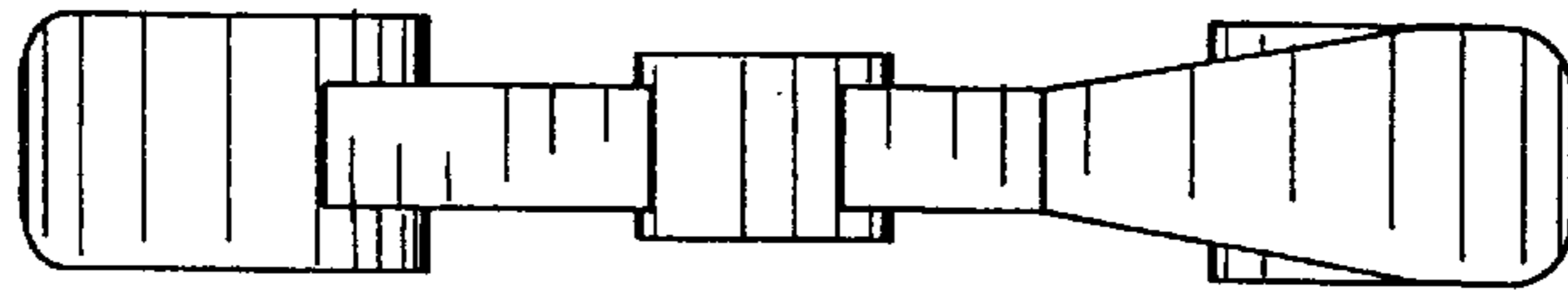


FIG. 4

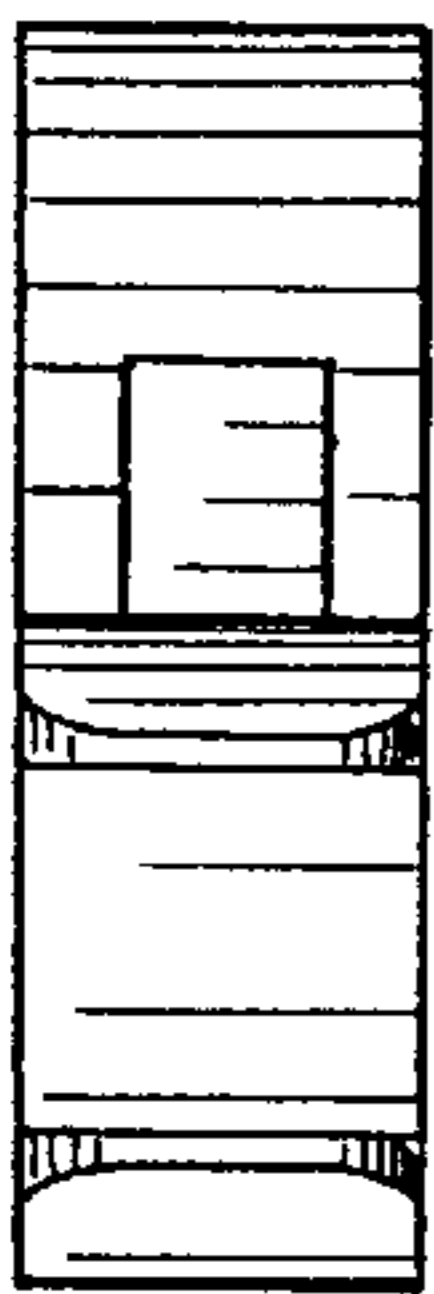


FIG. 6

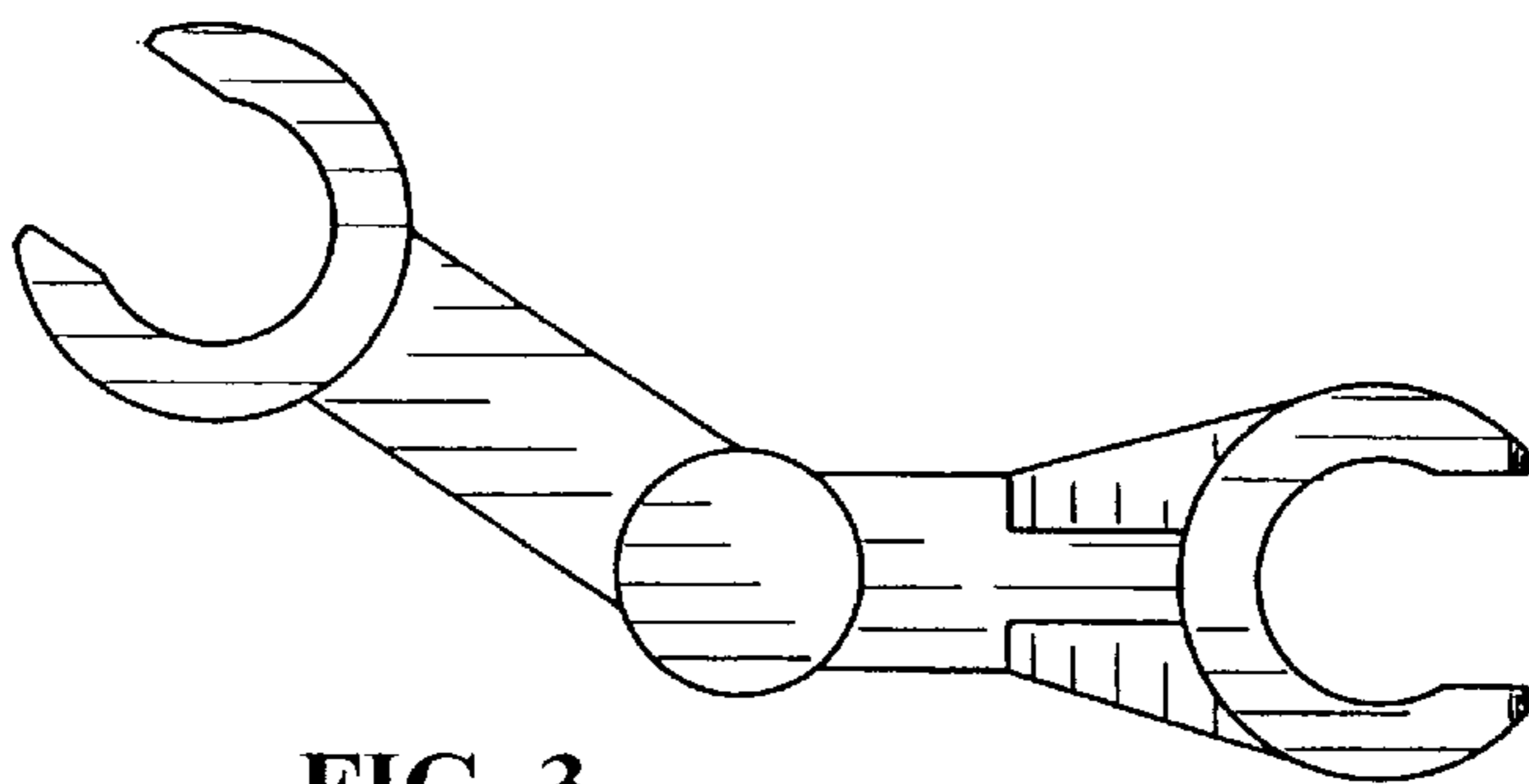


FIG. 3

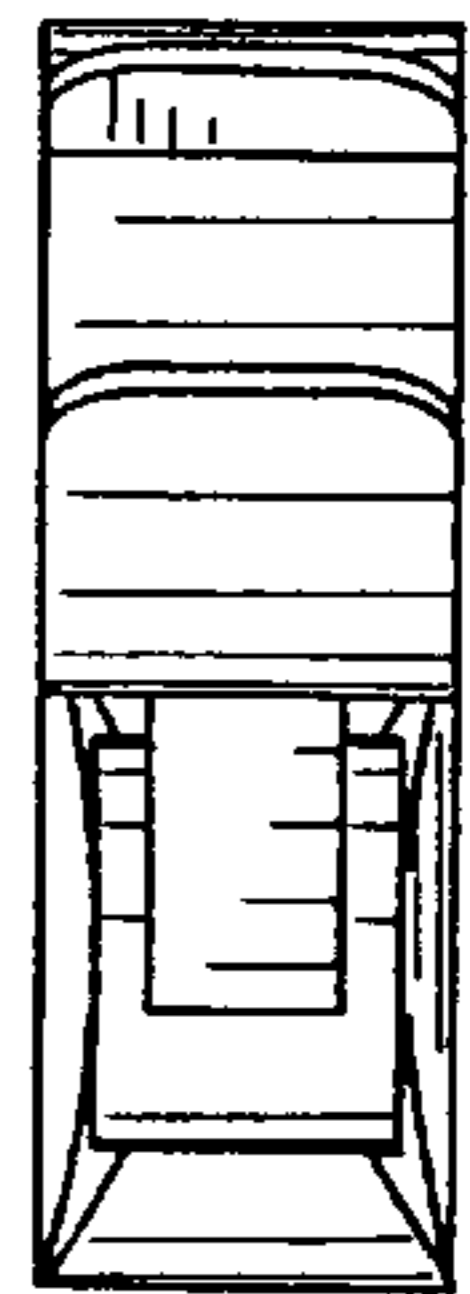


FIG. 5

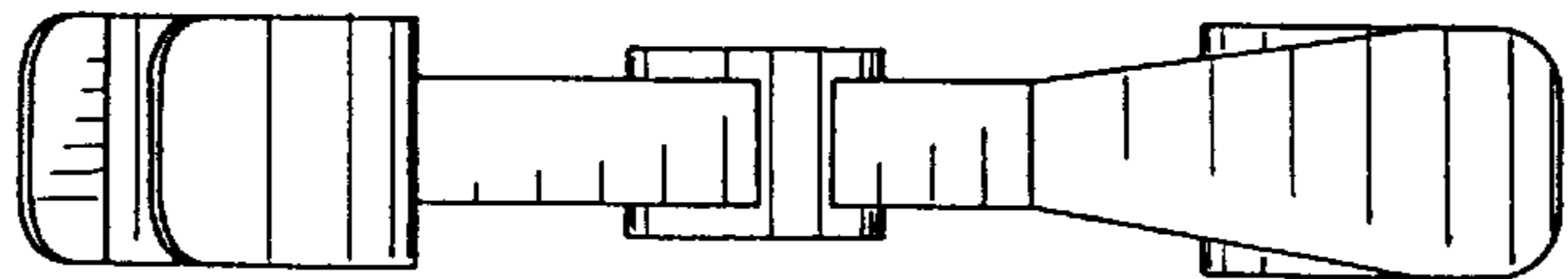


FIG. 2