



US00D410701S

**United States Patent** [19]  
**Mellander**

[11] **Patent Number: Des. 410,701**  
[45] **Date of Patent: \*\* Jun. 8, 1999**

[54] **GAME BOARD**

OTHER PUBLICATIONS

[75] Inventor: **Klas Mellander**, Malmö, Sweden

World Commodity Futures Trading Game Board Brochure.

[73] Assignee: **Celemiab International AB**, Malmö, Sweden

*Primary Examiner*—Sandra L. Morris  
*Attorney, Agent, or Firm*—Bacon & Thomas, PLLC

[\*\*] Term: **14 Years**

[21] Appl. No.: **29/084,553**

[57] **CLAIM**

[22] Filed: **Mar. 5, 1998**

The ornamental design for a game board, as shown and described.

[30] **Foreign Application Priority Data**

**DESCRIPTION**

Sep. 5, 1997 [GB] United Kingdom ..... D-2068881

[51] **LOC (6) Cl.** ..... **21-01**

The drawing is a plan view of a game board showing my design.

[52] **U.S. Cl.** ..... **D21/365**

[58] **Field of Search** ..... D21/334-369,  
D21/397; 273/236-285

The bottom and side edges of the board are unornamented and do not constitute a part of my new design.

[56] **References Cited**

**U.S. PATENT DOCUMENTS**

**1 Claim, 1 Drawing Sheet**

D. 185,079 5/1959 Germain ..... D21/338

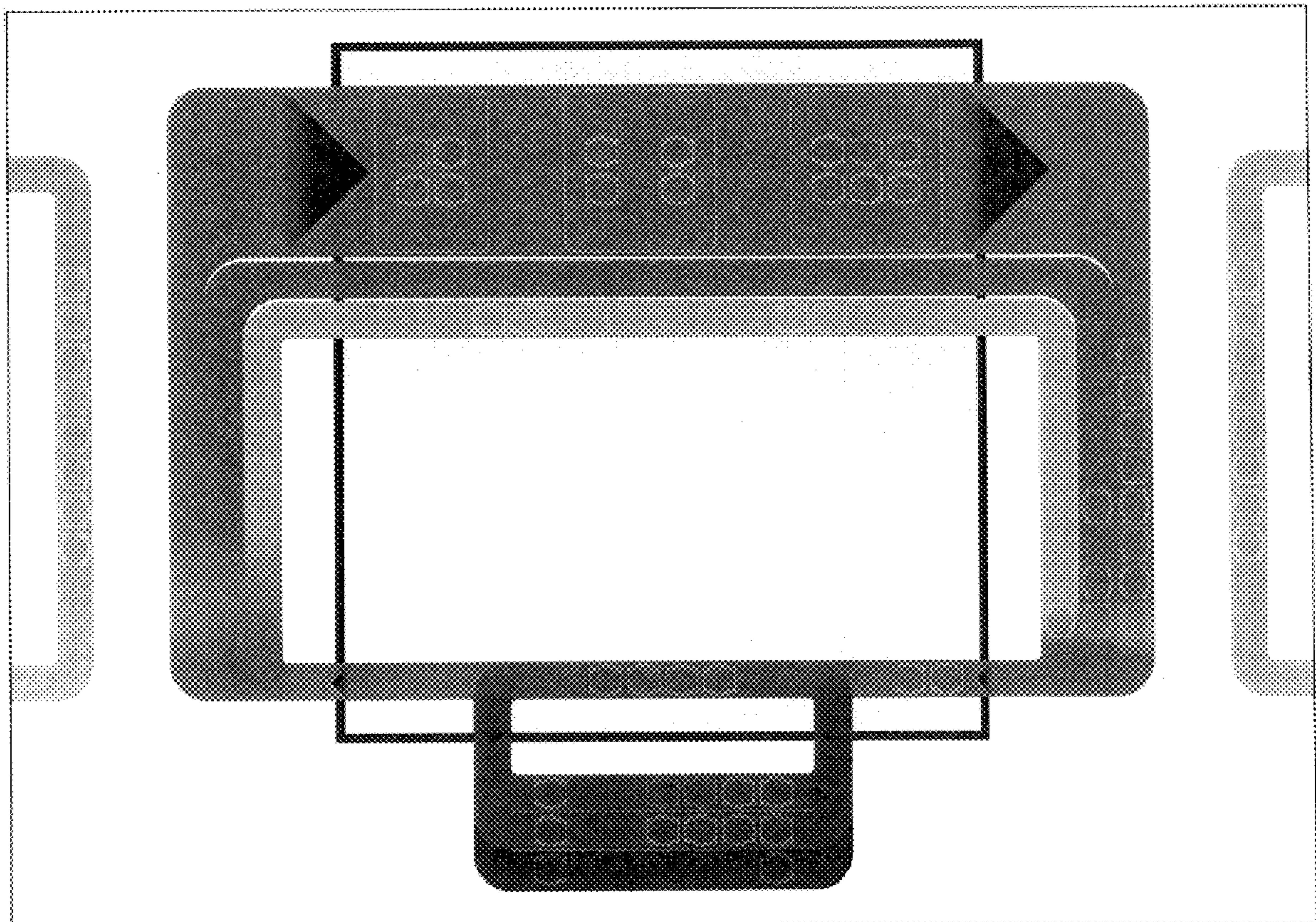


FIG. 1

