



US00D410700S

United States Patent [19]

Herlitz et al.

[11] Patent Number: **Des. 410,700**

[45] Date of Patent: **** Jun. 8, 1999**

[54] **TOY SOCCER GAME ASSEMBLY**

5,839,733 11/1998 Meeks et al. 273/407 X

[76] Inventors: **Todd S. Herlitz**, 149A Cypress St., Providence, R.I. 02906; **Michael A. Provost**, 12 Mount Pleasant View Ave., Cumberland, R.I. 02864

OTHER PUBLICATIONS

Sears Cat, p. 494, Item #4, 1985.

Primary Examiner—Prabhakar Deshmukh

[**] Term: **14 Years**

[57] CLAIM

[21] Appl. No.: **29/088,748**

The ornamental design for a toy soccer game assembly, as shown.

[22] Filed: **Jun. 1, 1998**

DESCRIPTION

[51] **LOC (6) Cl.** **21-01**

[52] **U.S. Cl.** **D21/318**

[58] **Field of Search** D21/300–305, D21/312, 313, 314, 318, 324, 578, 585, 593, 594, 705, 707, 715, 788; 273/108.1, 108.4, 109, 113, 115, 459–461, 407, 317.1, 317.5, 348; 463/4, 5, 46, 47, 49

FIG. 1 is a perspective view of the toy soccer game assembly of the instant invention;

FIG. 2 is a front elevational view of the character figure thereof;

FIG. 3 is a rear elevational view thereof;

FIG. 4 is a left side elevational view thereof;

FIG. 5 is a right side elevational view thereof;

FIG. 6 is a top plan view thereof;

FIG. 7 is a bottom plan view thereof;

FIG. 8 is a front elevational view of the goal portion of the game assembly;

FIG. 9 is a rear elevational view thereof;

FIG. 10 is a right side elevational view thereof;

FIG. 11 is a left side elevational view thereof;

FIG. 12 is a top plan view thereof; and,

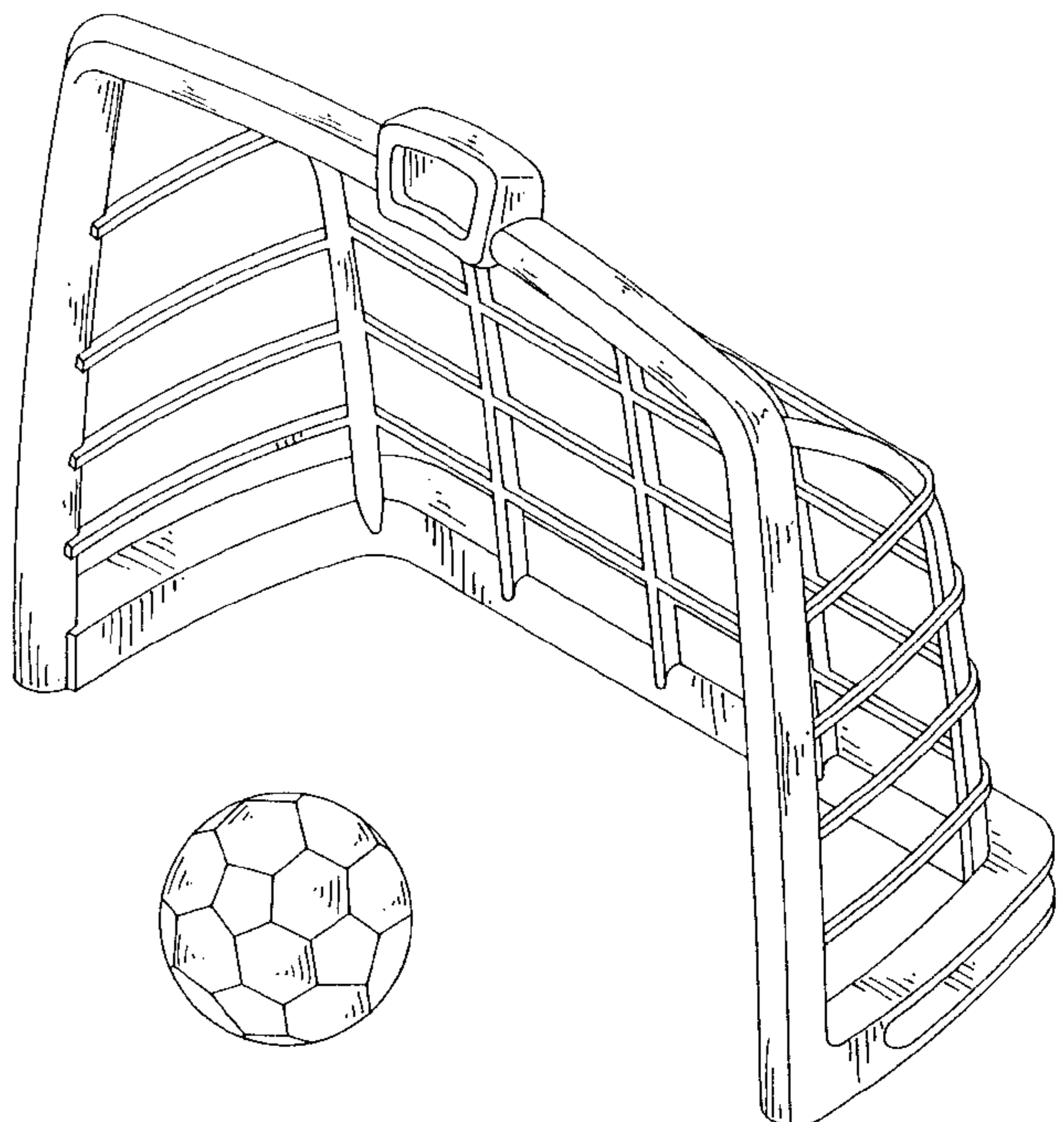
FIG. 13 is a bottom plan view thereof.

[56] References Cited

U.S. PATENT DOCUMENTS

D. 298,766	11/1988	Tanno et al.	D21/578
D. 357,282	4/1995	Arad et al.	D21/313
2,139,024	12/1938	Kolm	273/317.1
3,379,441	4/1968	Feather et al.	273/108.4 X
4,346,893	8/1982	Landsinger et al.	273/108.4 X
4,364,562	12/1982	White et al.	273/407 X
4,659,088	4/1987	Lee et al.	463/5
5,421,586	6/1995	Amram et al.	273/407 X

1 Claim, 7 Drawing Sheets



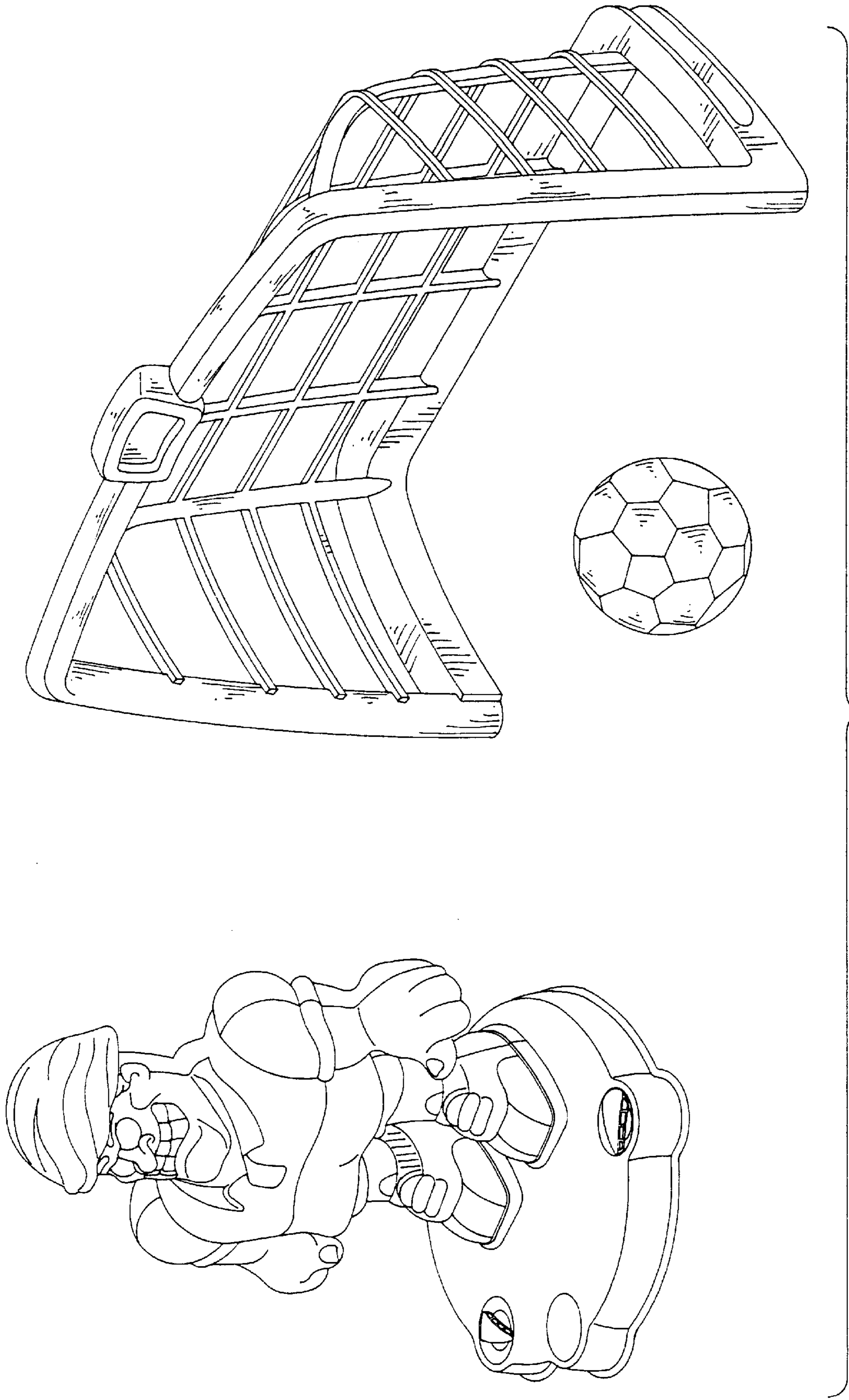


FIG. 1

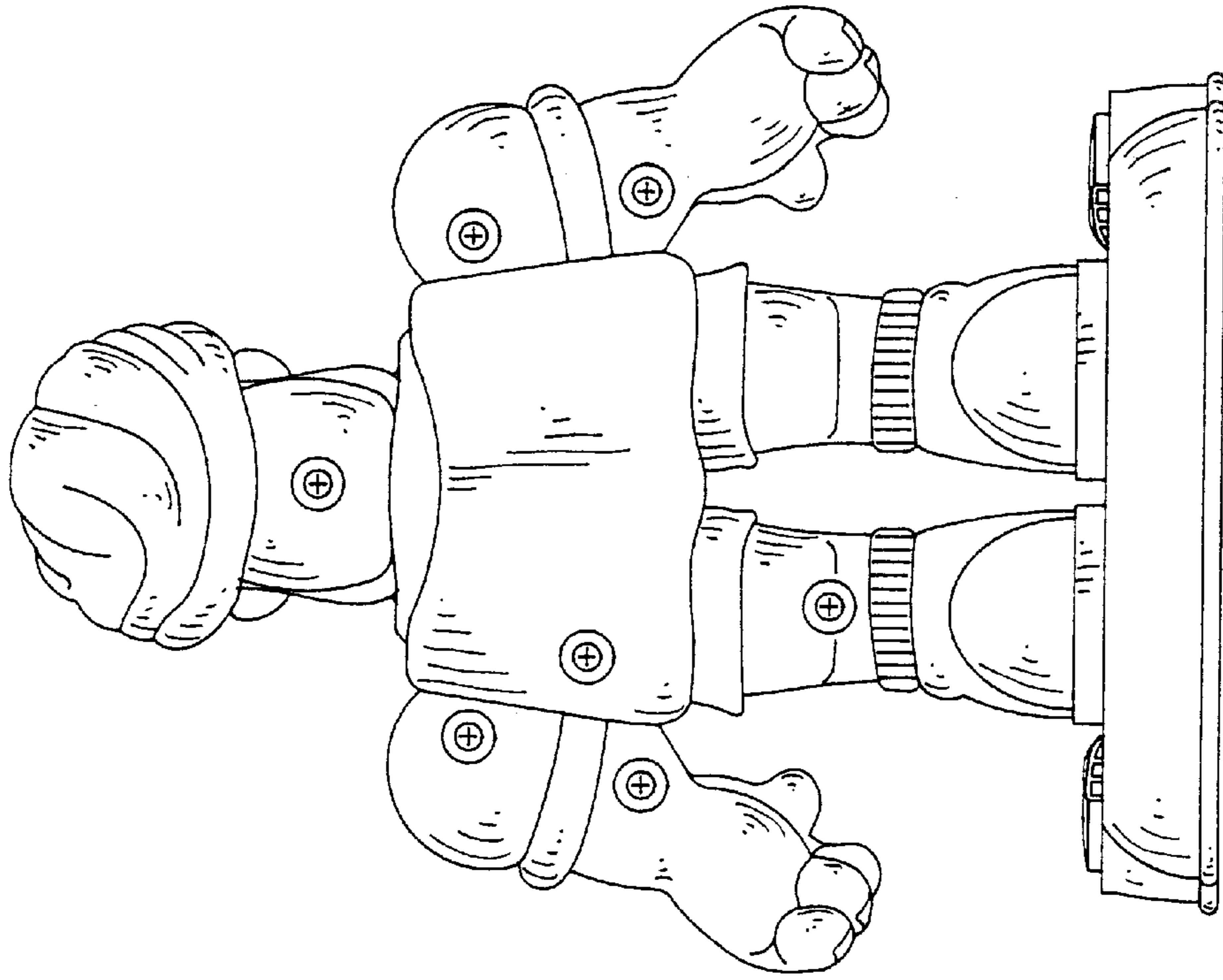


FIG. 3

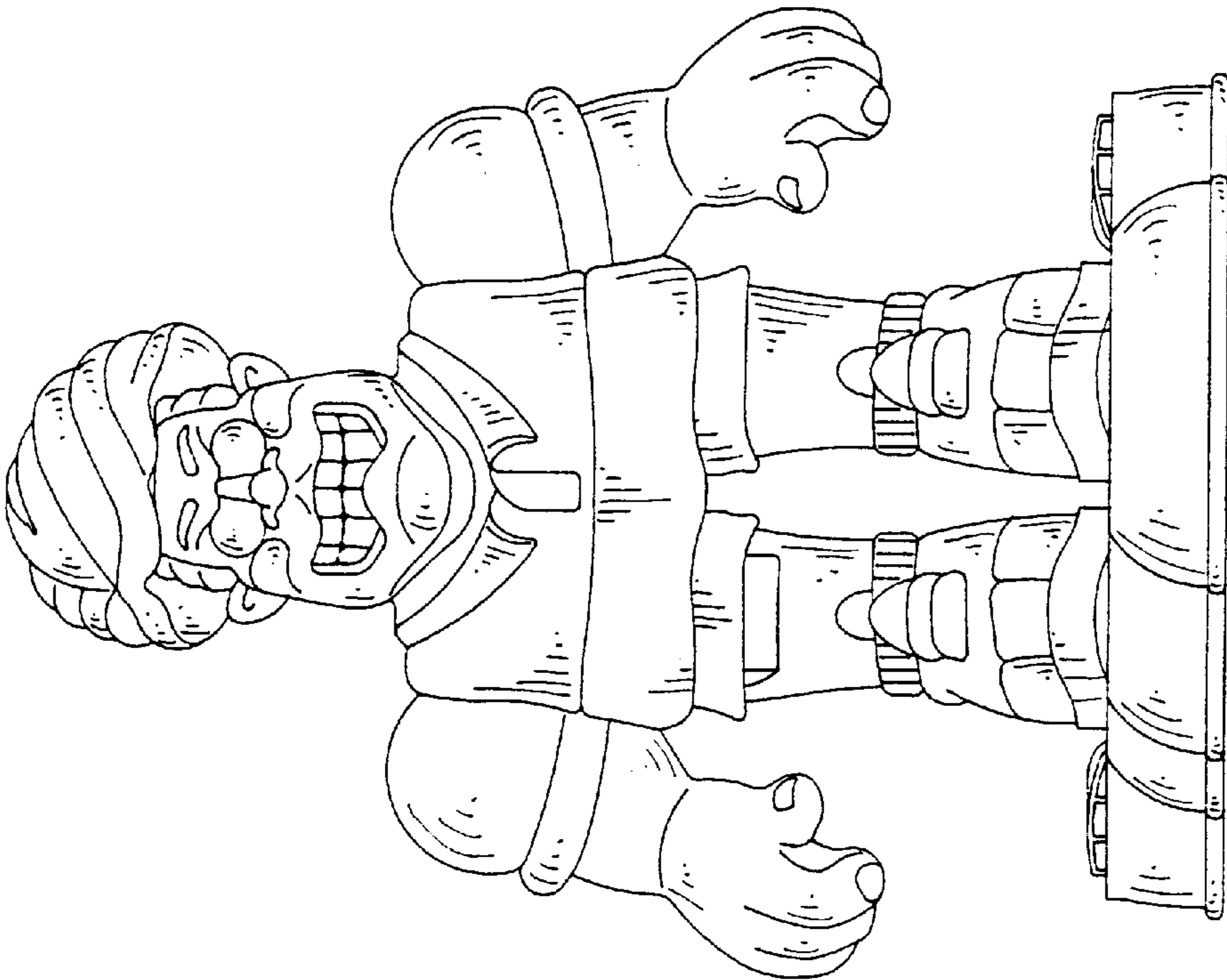


FIG. 2

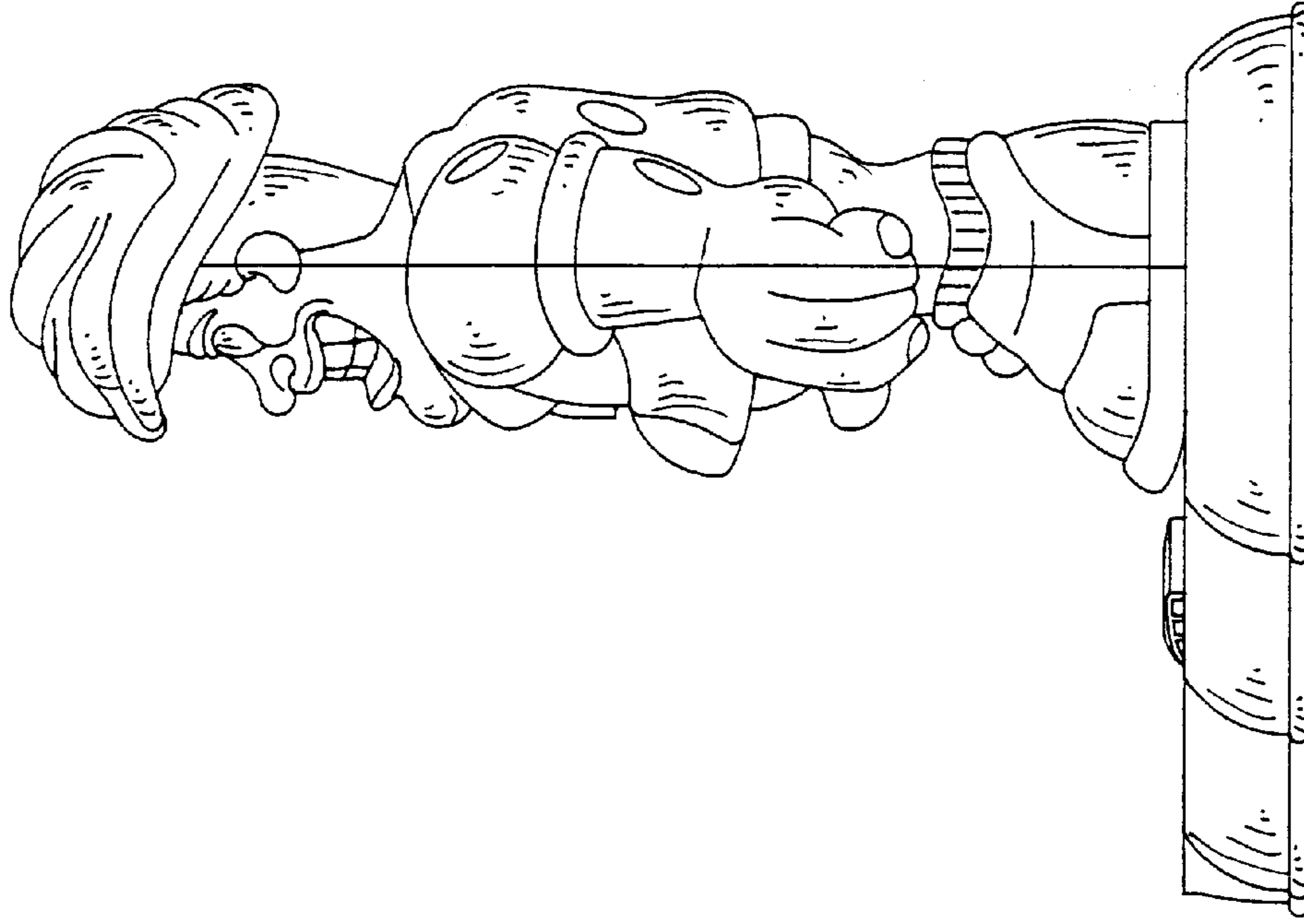


FIG. 5



FIG. 4

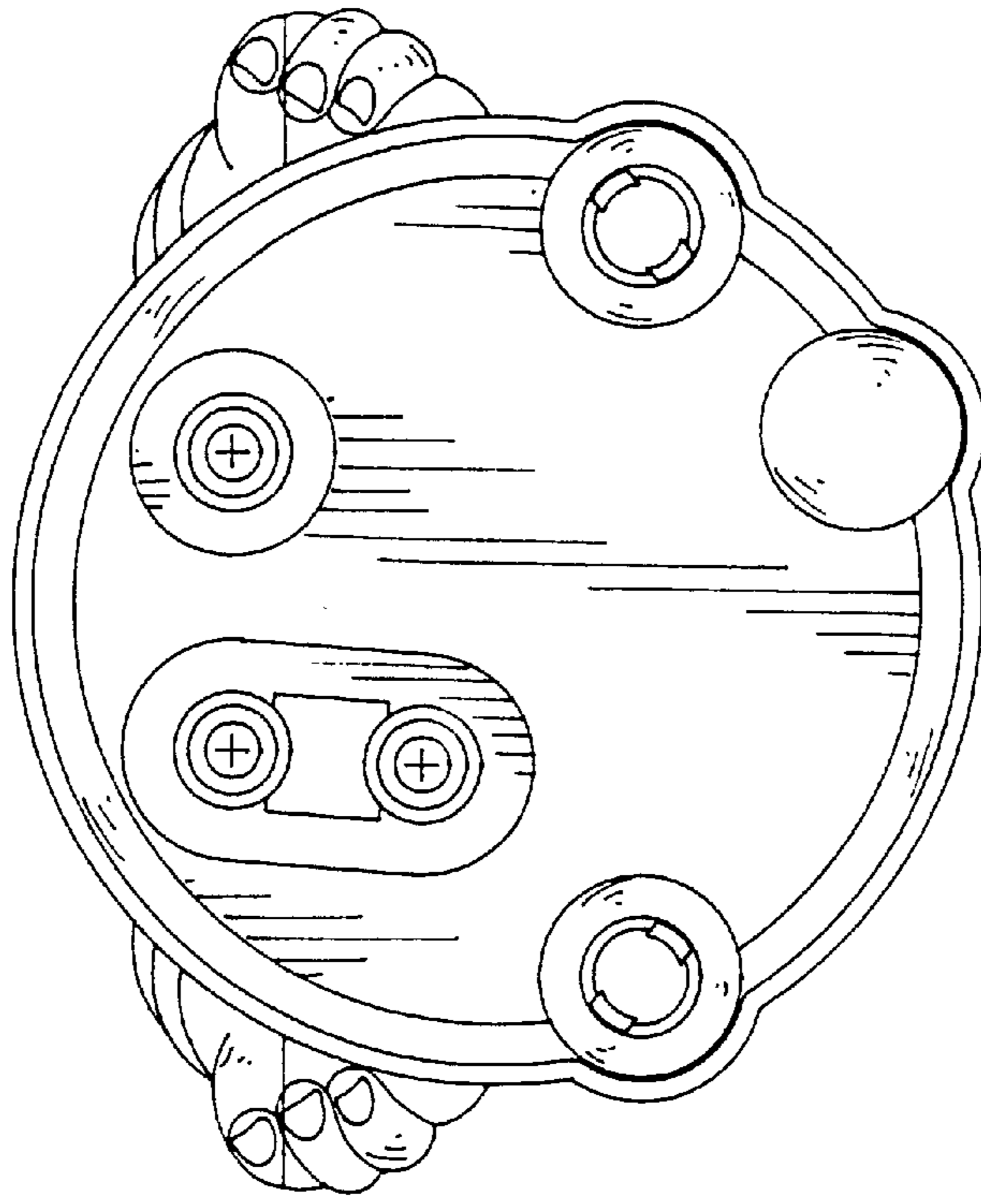


FIG. 7

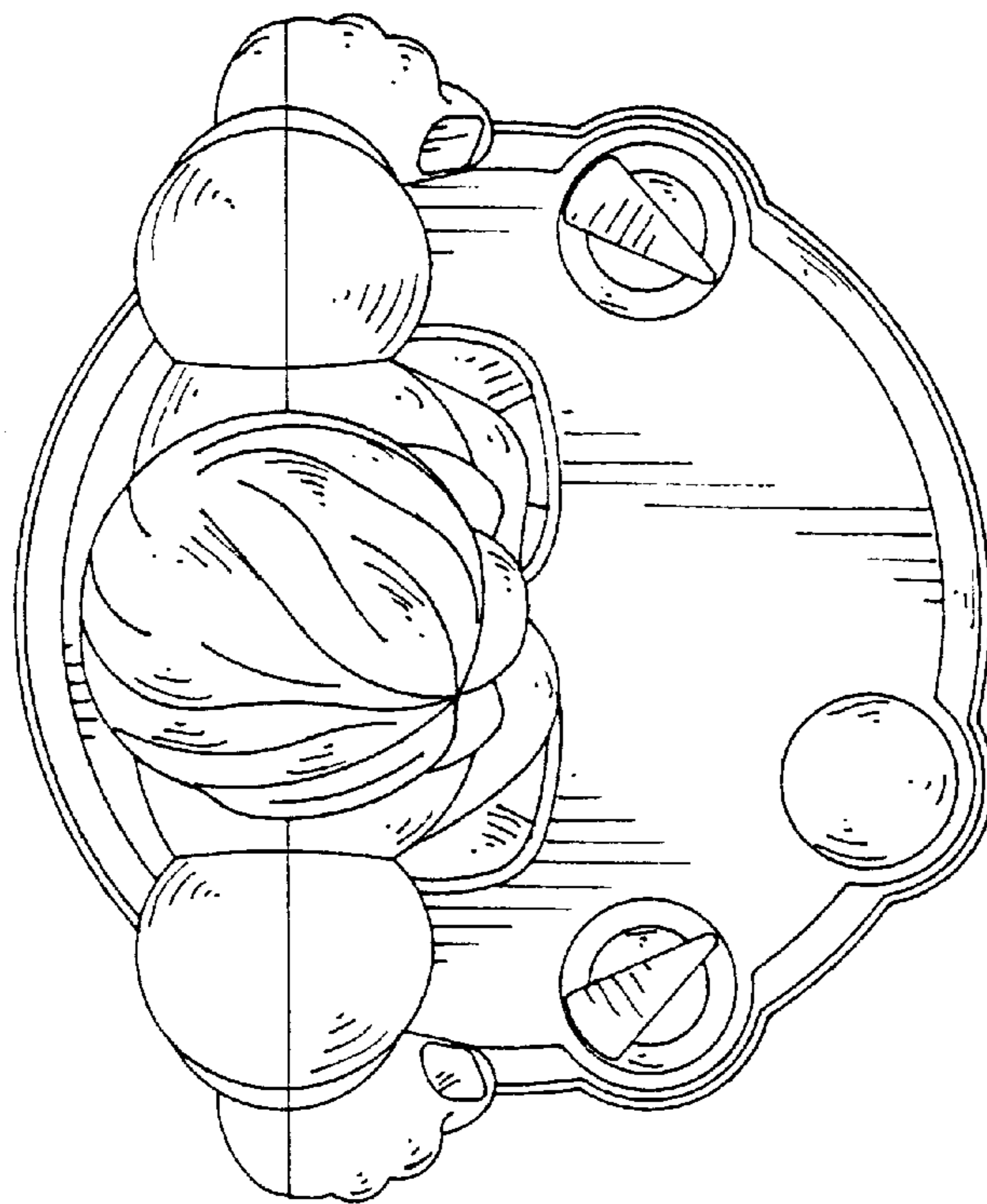


FIG. 6

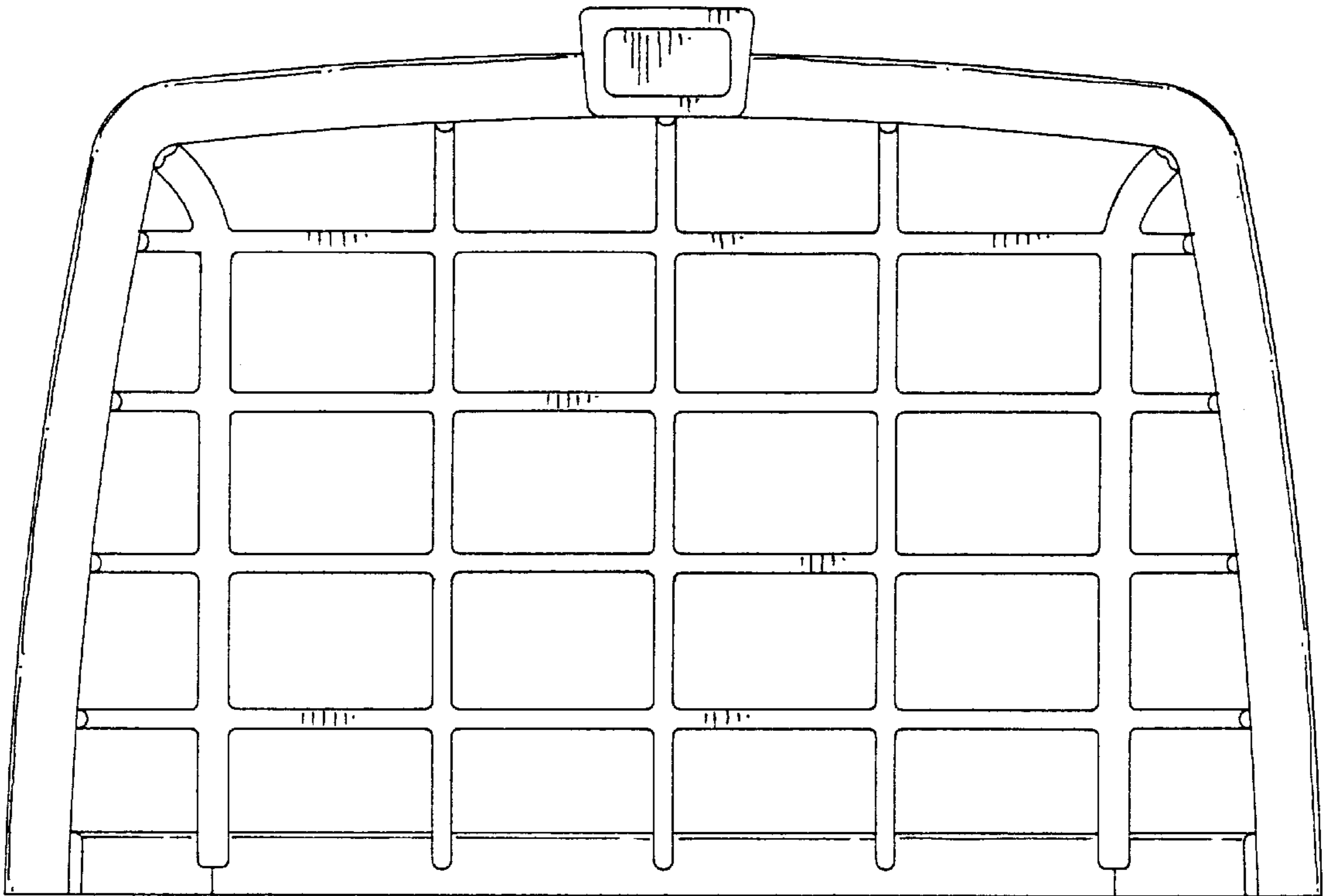


FIG. 8

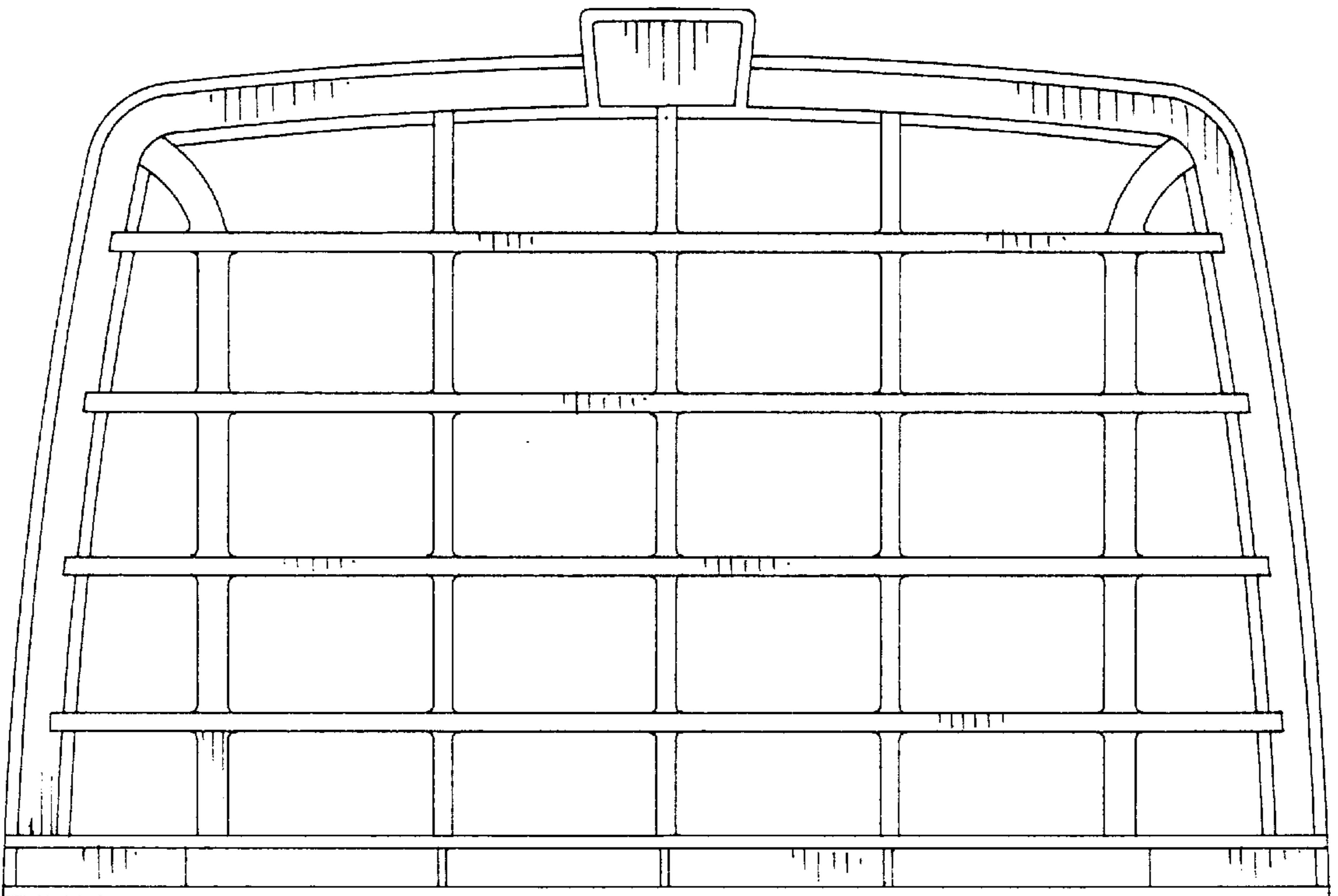


FIG. 9

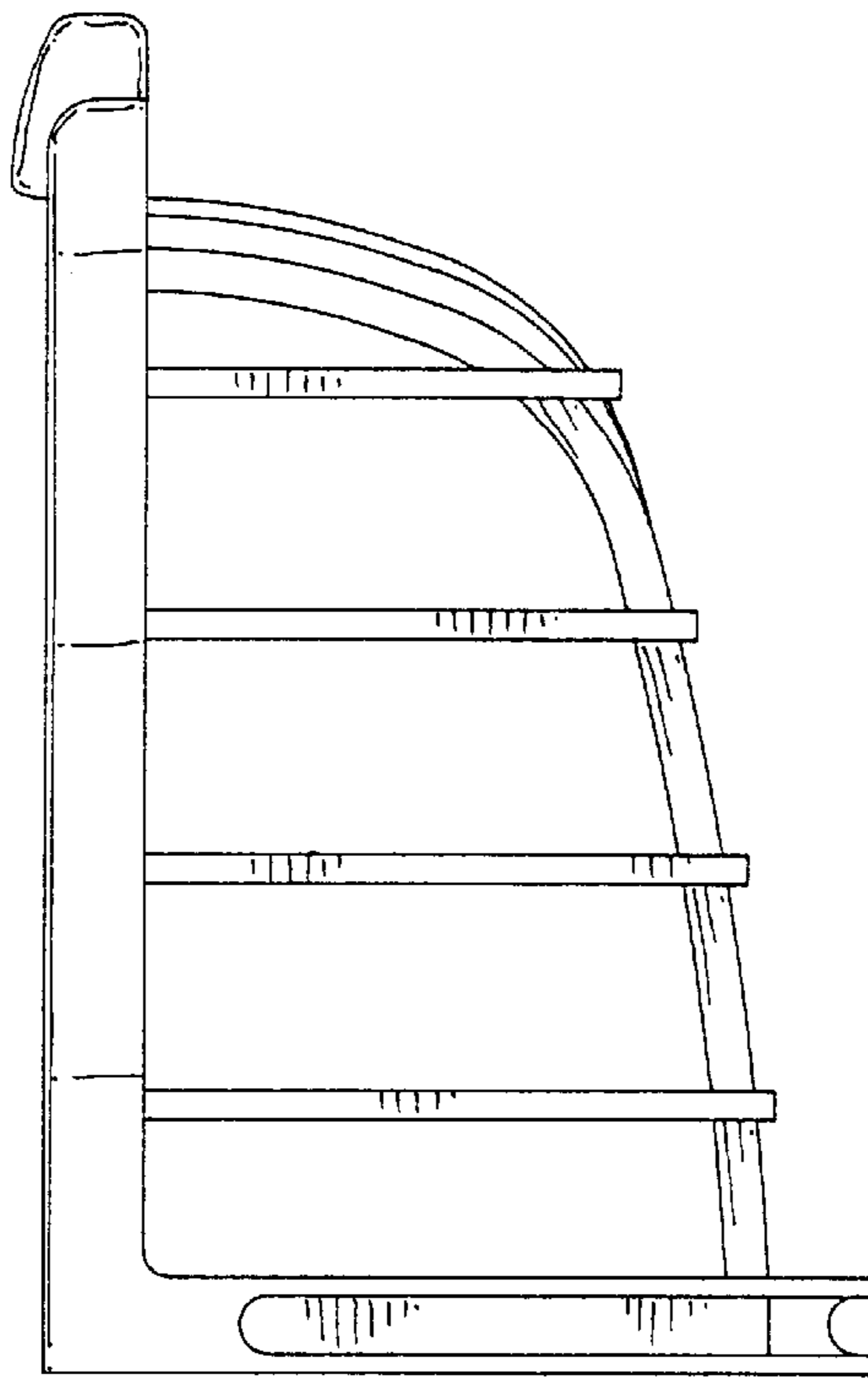


FIG. 10

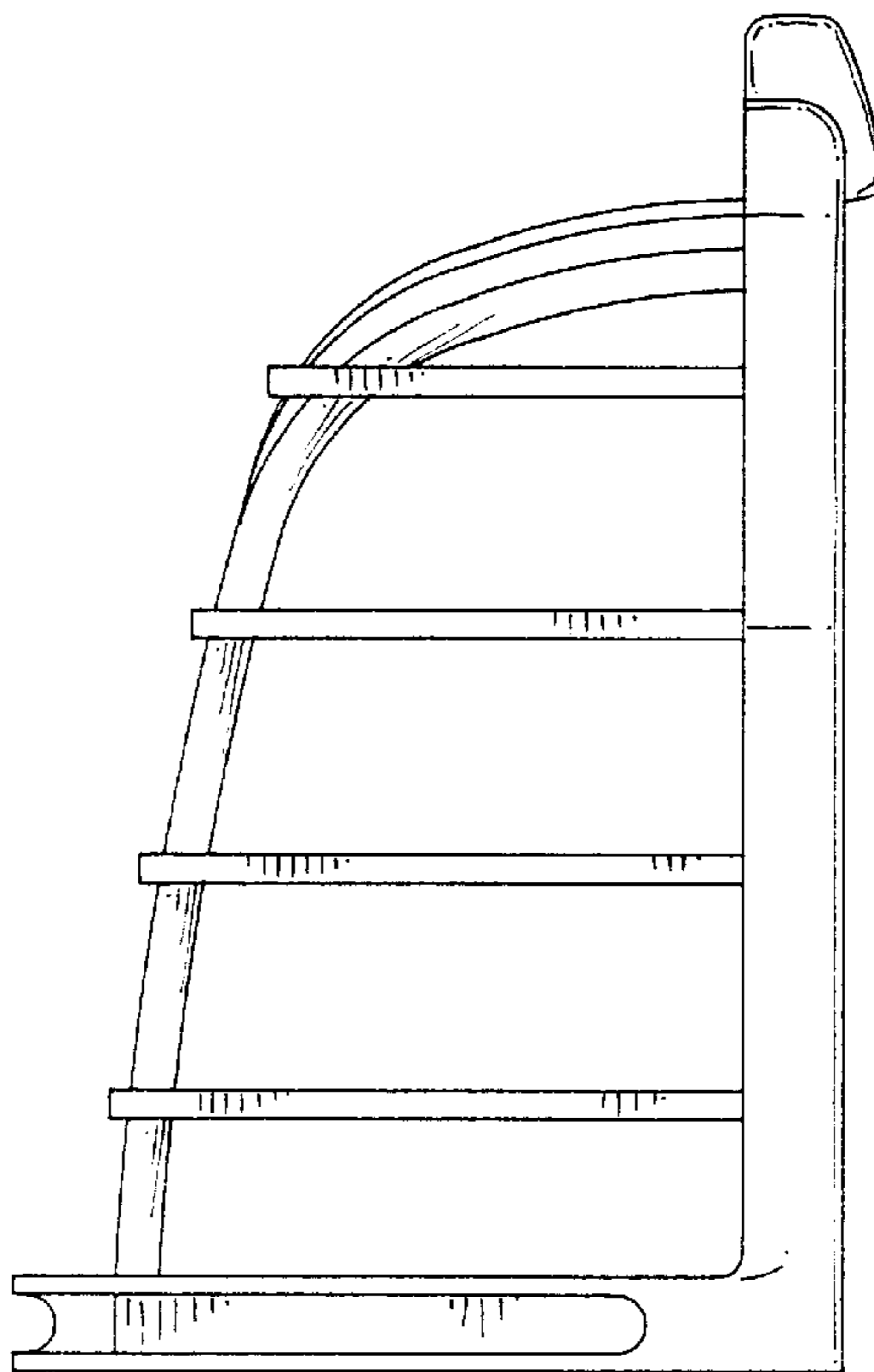


FIG. 11

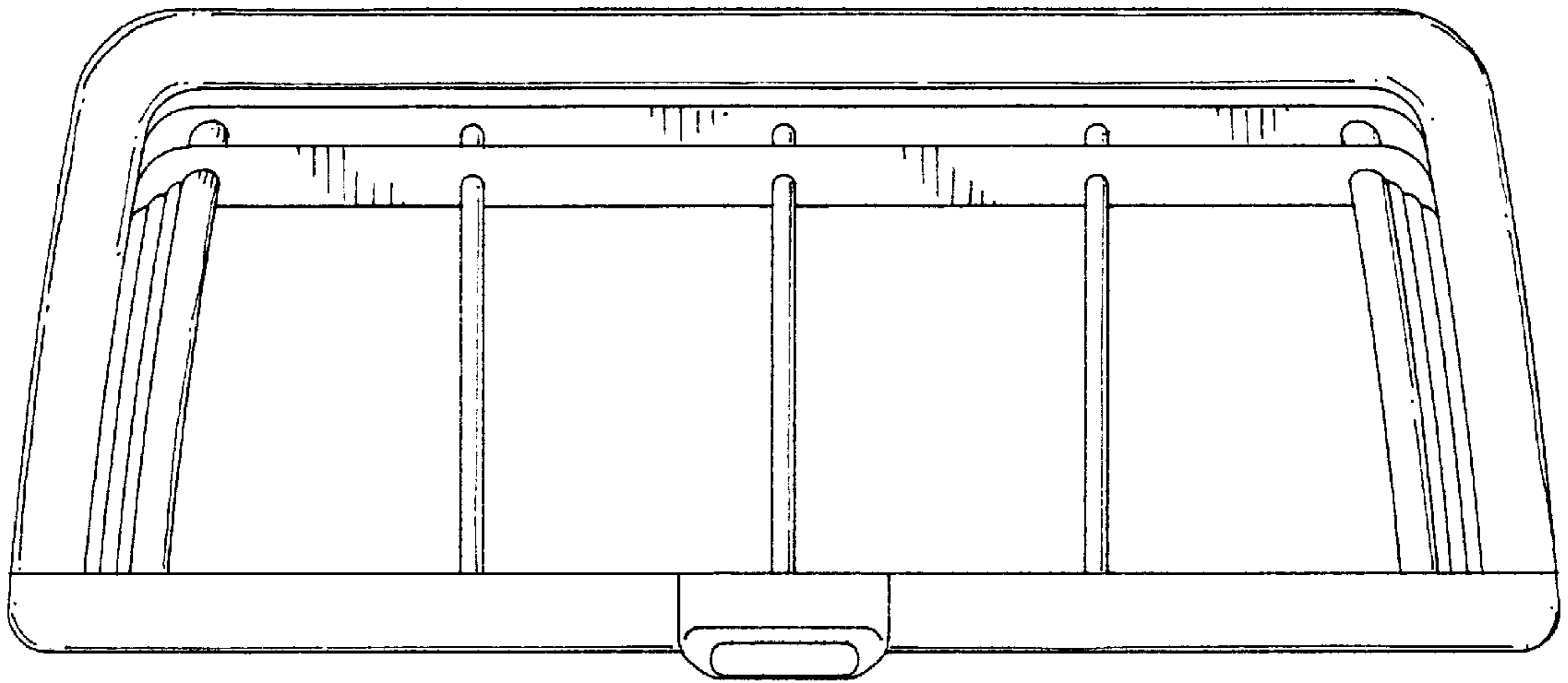


FIG. 12

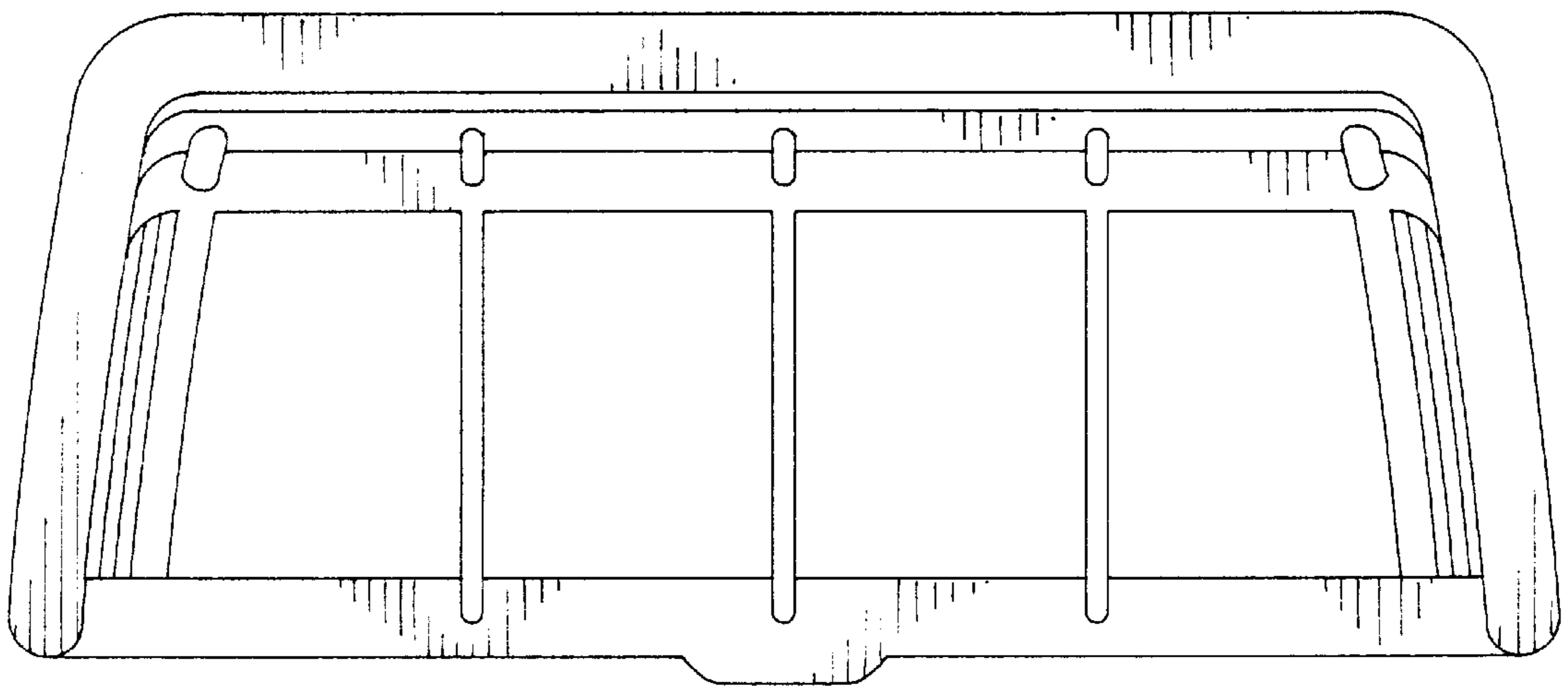


FIG. 13