



US00D410696S

United States Patent [19]

Powers

[11] **Patent Number: Des. 410,696**

[45] **Date of Patent: ** *Jun. 8, 1999**

[54] **ROADSIDE ADDRESS SIGN WITH POST**

2,913,209 11/1959 Arnold D20/41 X

[76] Inventor: **Edward L Powers**, 76 Raintree Dr.,
Port Oragne, Fla. 32127

Primary Examiner—Susan J. Lucas
Assistant Examiner—J. Regester

[*] Notice: This patent is subject to a terminal disclaimer.

[57] **CLAIM**

[**] Term: **14 Years**

The ornamental design for a roadside address sign with post, as shown and described.

[21] Appl. No.: **29/053,286**

DESCRIPTION

[22] Filed: **Apr. 15, 1996**

[51] **LOC (6) Cl.** **20-02**

[52] **U.S. Cl.** **D20/41; D20/17**

[58] **Field of Search** D20/10, 17, 41,
D20/43; 40/584, 606, 605, 612, 607

FIG. 1 is a front view of the roadside address sign with post of the present invention;

FIG. 2 is a rear view of the roadside address sign with post of FIG. 1.

FIG. 3 is a right side view of the roadside address sign with post of FIG. 1;

FIG. 4 is a left side view of the roadside address sign with post of FIG. 1;

FIG. 5 is a top view of the roadside address sign with post of FIG. 1; and,

FIG. 6 is a bottom view of the roadside address sign with post of FIG. 1.

The broken lines are shown for illustrative purposes only and form no part of the claimed design.

[56] **References Cited**

U.S. PATENT DOCUMENTS

D. 355,222	2/1995	Marshall et al.	D20/41
D. 373,584	9/1996	Anand	D20/41 X
1,327,387	1/1920	Hockaday	40/612
1,384,106	7/1921	Taussig	40/606 X
2,819,548	1/1958	Campbell	40/607

1 Claim, 3 Drawing Sheets

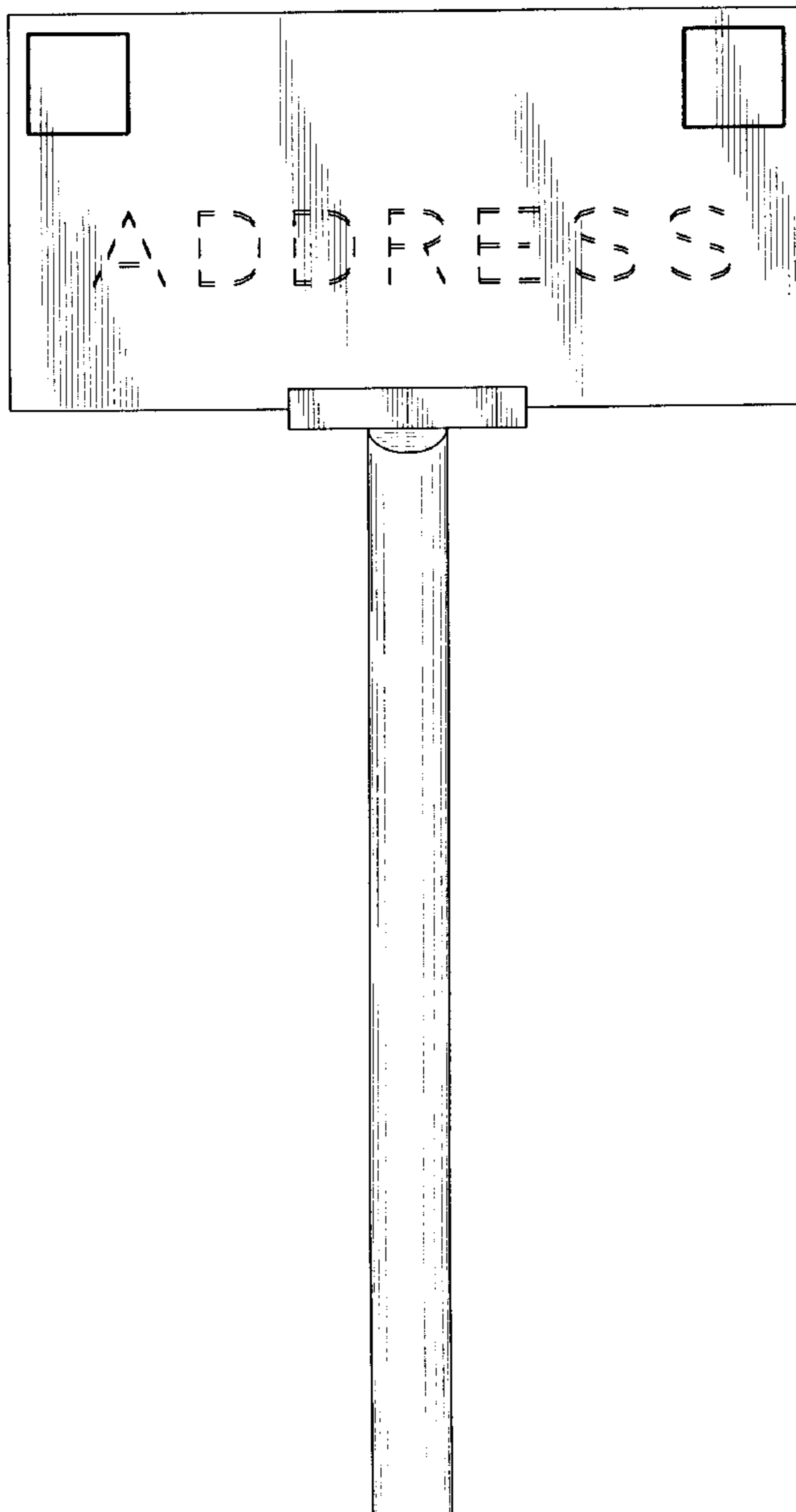


FIG. 1

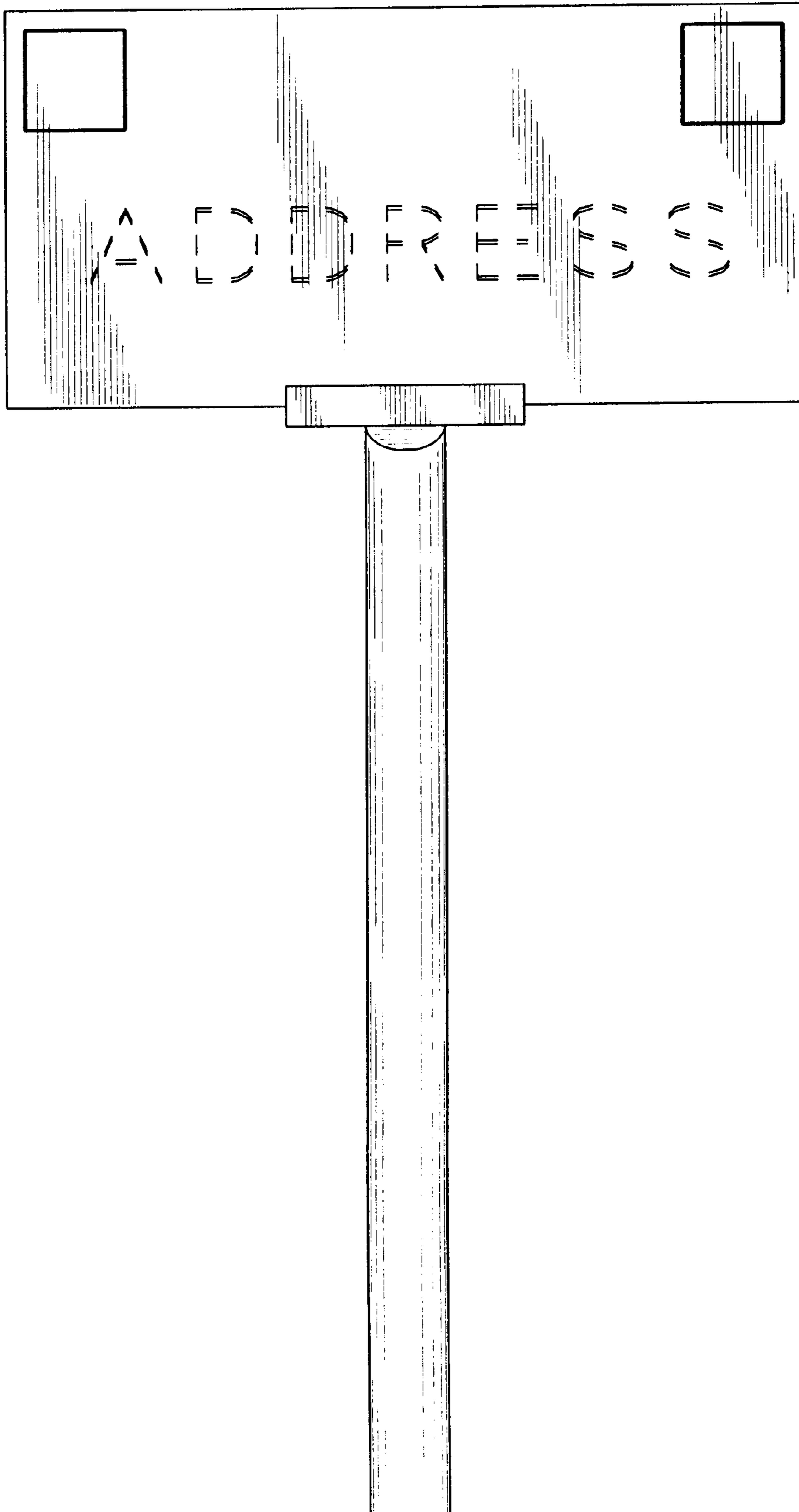


FIG. 2

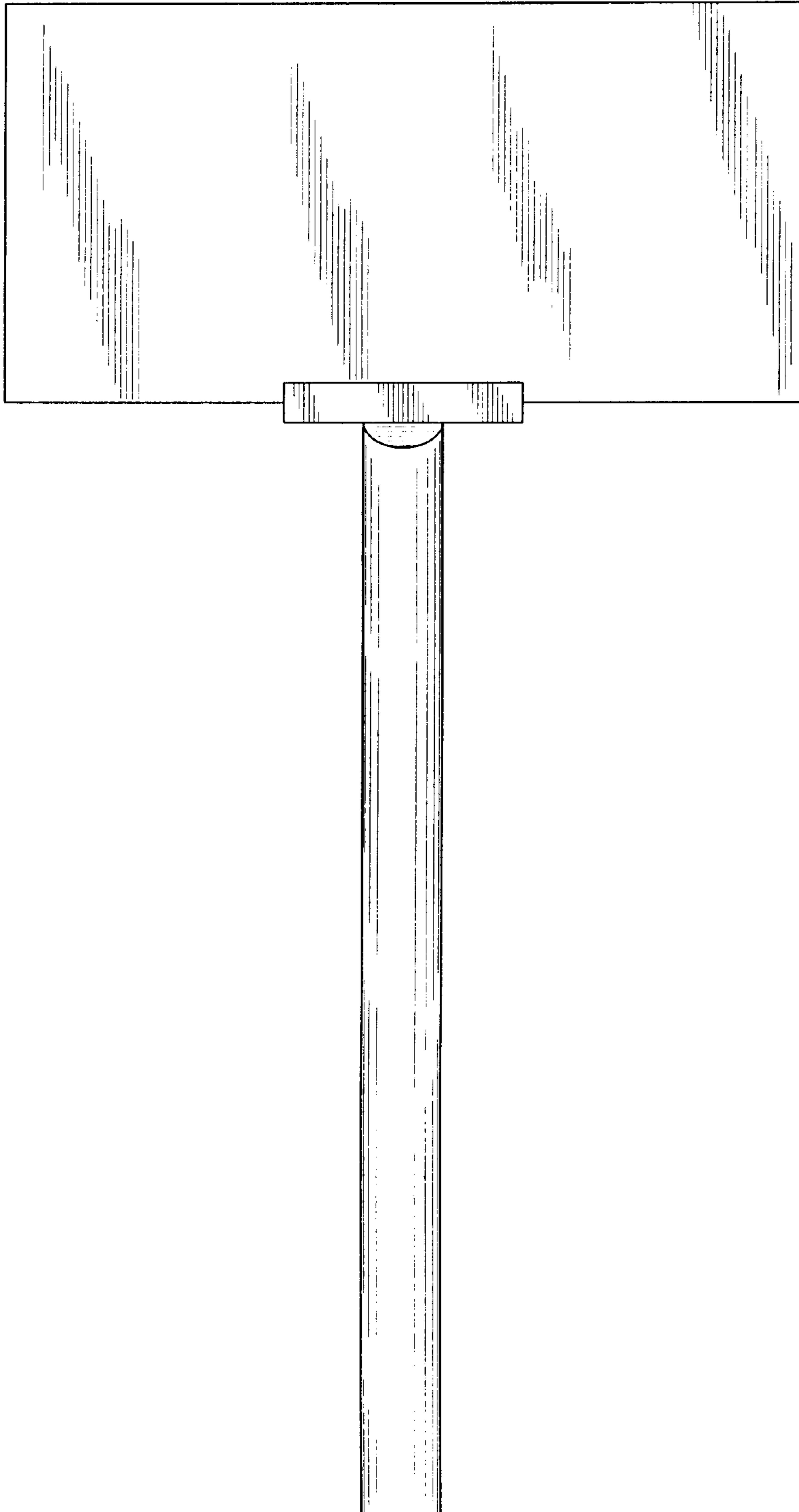


FIG. 3

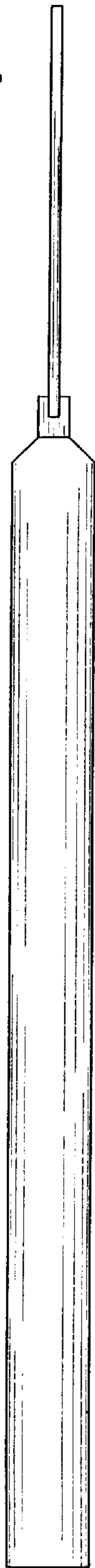


FIG. 4



FIG. 5



FIG. 6

