



US00D410693S

United States Patent [19]
Brockman

[11] **Patent Number: Des. 410,693**
[45] **Date of Patent: ** Jun. 8, 1999**

[54] **GOLF SHOE SPIKE**
[76] Inventor: **Robert Brockman**, 2928 Elmwood Ave., Bakersfield, Calif. 93305
[**] Term: **14 Years**
[21] Appl. No.: **29/079,224**
[22] Filed: **Nov. 10, 1997**
[51] **LOC (6) Cl. 02-04**
[52] **U.S. Cl. D2/962**
[58] **Field of Search D2/962; 36/127, 36/126, 67 A, 67 B, 67 D, 59 R, 134**

D. 389,997 2/1998 Adam D2/962
D. 391,047 2/1998 Backus D2/962
5,791,071 8/1998 Rosdail 36/134

Primary Examiner—Louis S. Zarfaz
Assistant Examiner—G. Andoll

[57] **CLAIM**

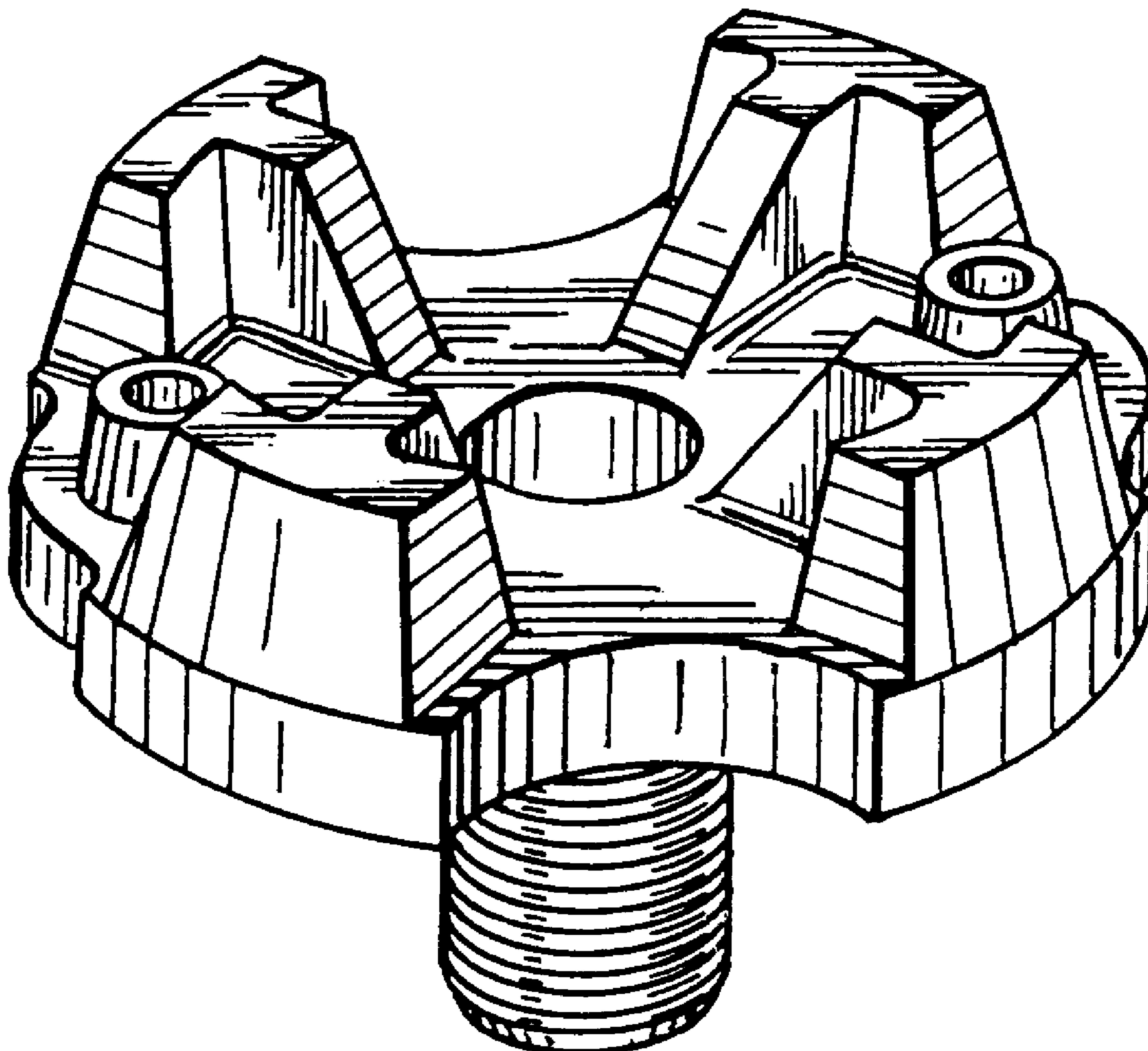
The ornamental design for a golf shoe spike, as shown and described.

DESCRIPTION

FIG. 1 is a top perspective view of a golfshoe spike, showing my new design;
FIG. 2 is a top plan view of thereof;
FIG. 3 is a bottom plan view thereof;
FIG. 4 is a front elevational view the rear being a mirror image thereof; and,
FIG. 5 is a side elevational view the opposite side being a mirror image thereof.

[56] **References Cited**
U.S. PATENT DOCUMENTS
180,578 8/1876 Gunsalus 36/59 R
D. 327,975 7/1992 Saito et al. D2/962
D. 366,755 2/1996 Abbey D2/962
D. 375,192 11/1996 Bathum D2/962
D. 389,297 1/1998 Adam D2/962

1 Claim, 1 Drawing Sheet



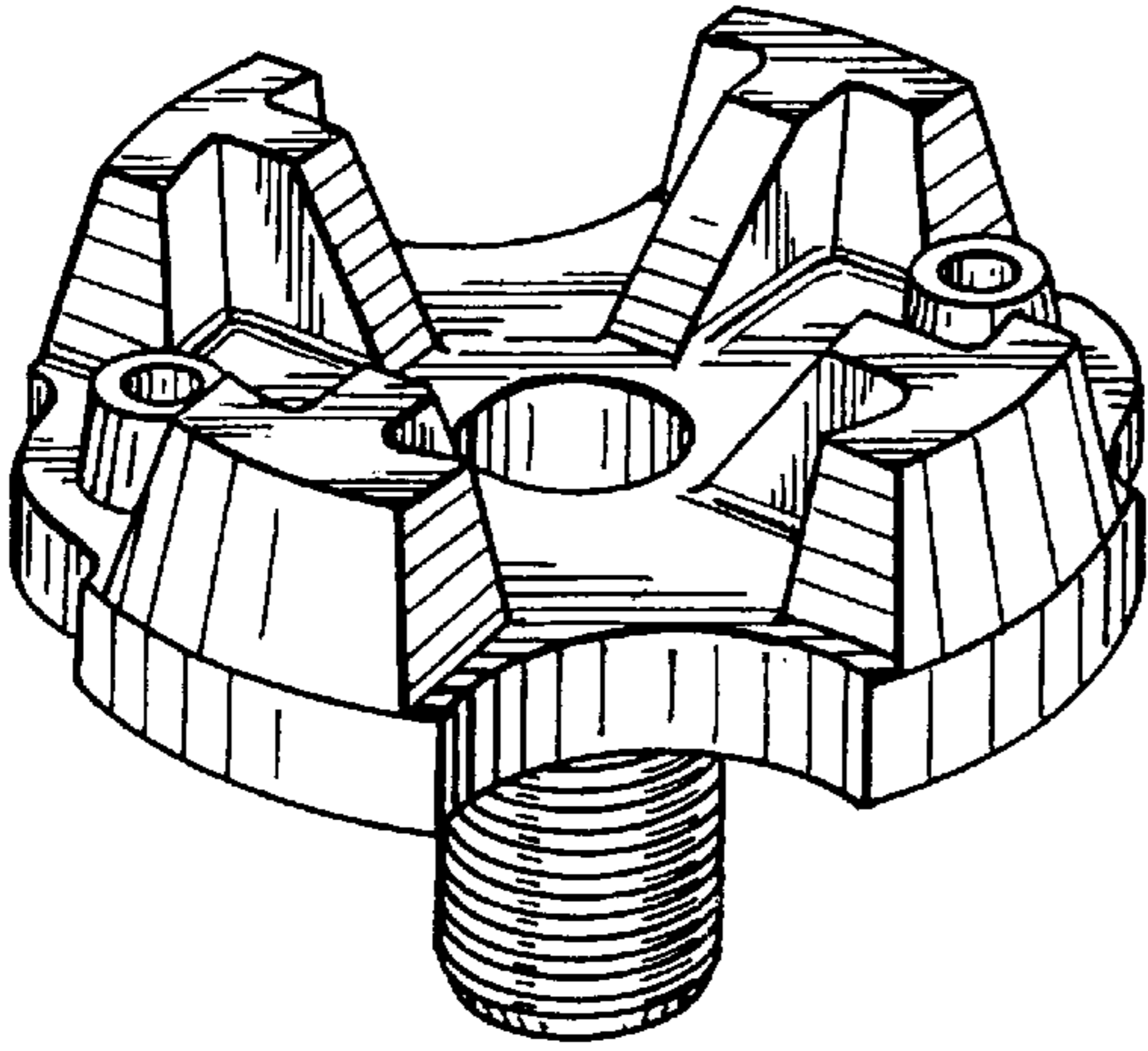


FIG.—1

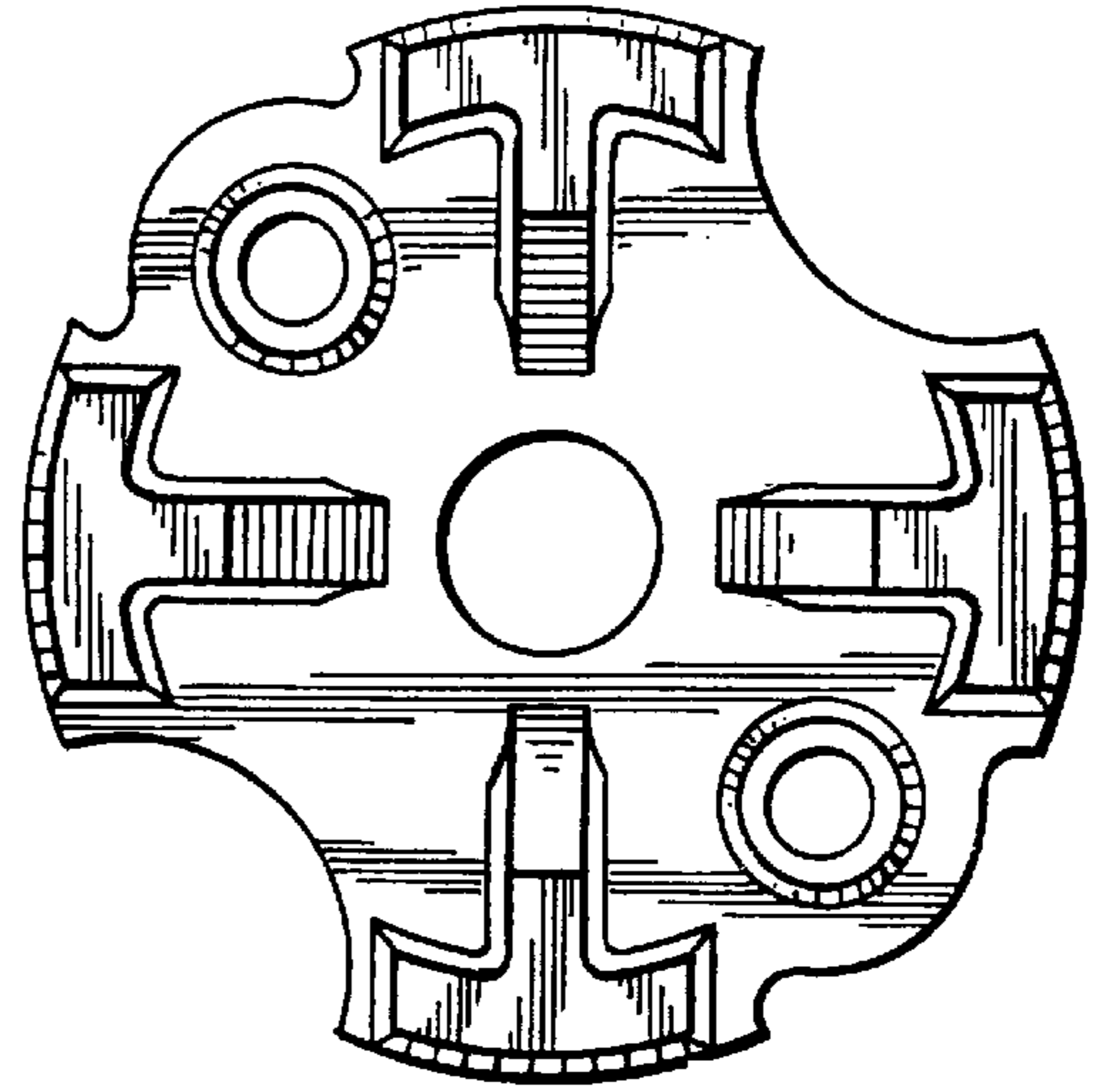


FIG.—2

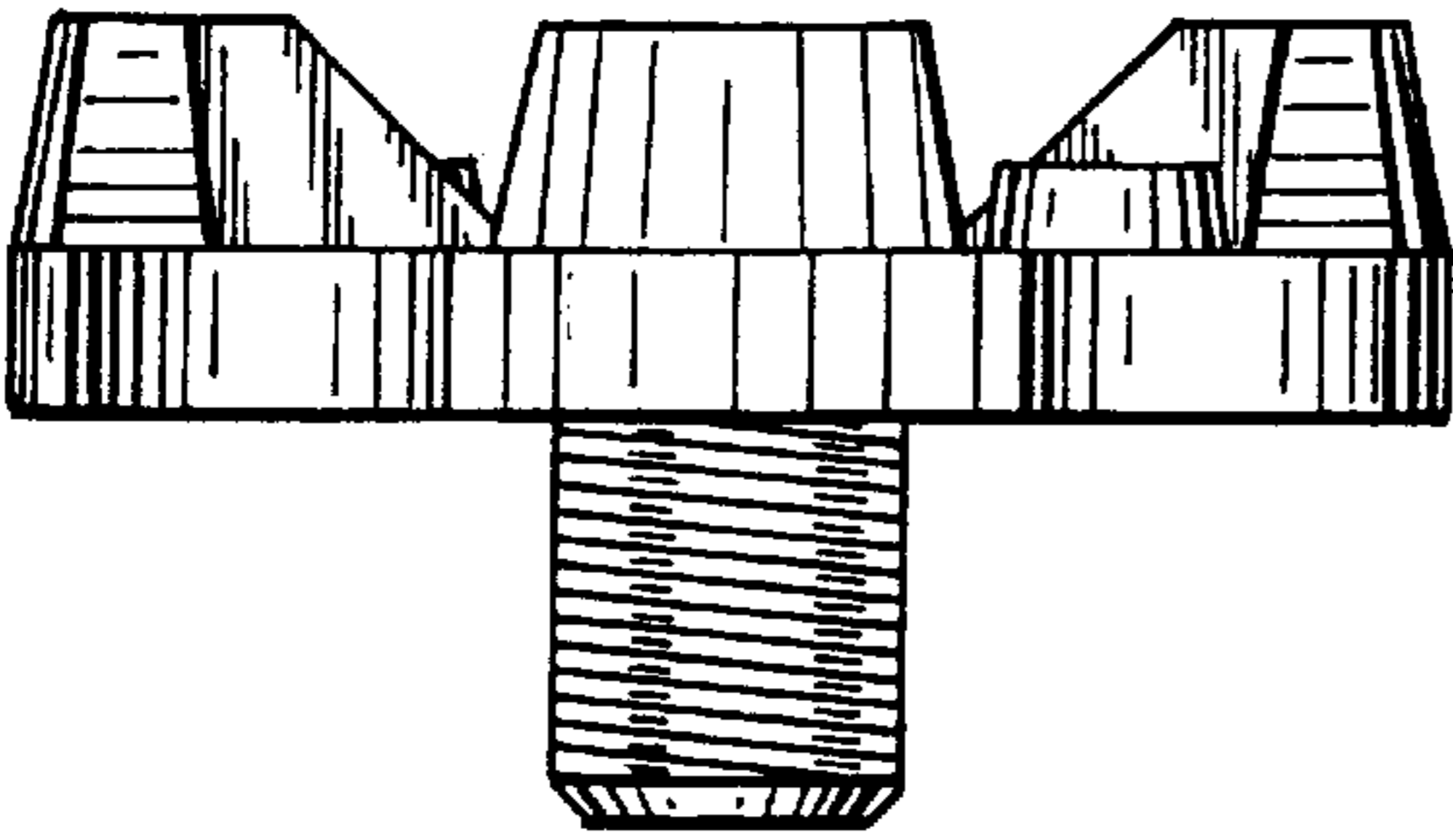


FIG.—4

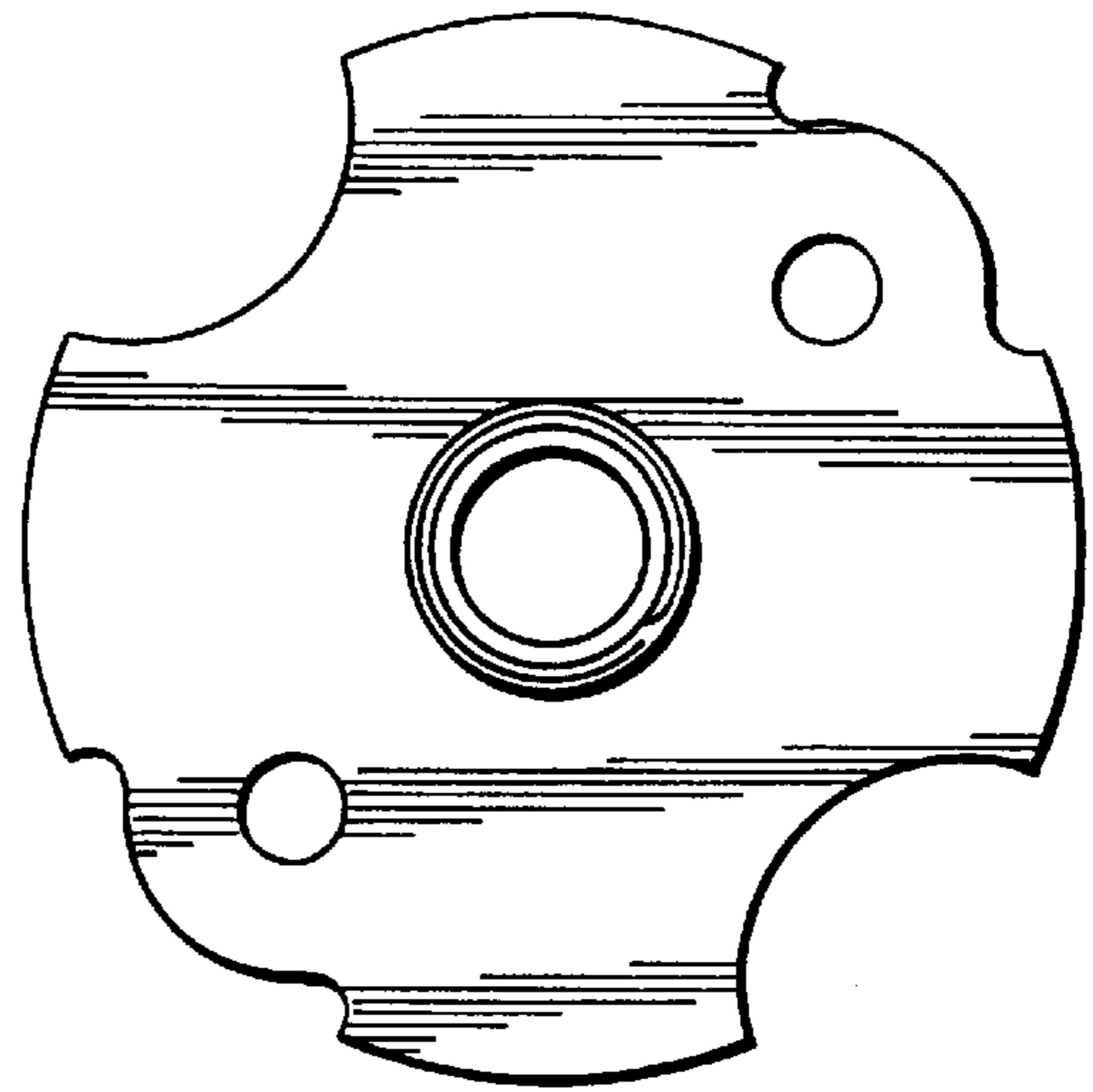


FIG.—3

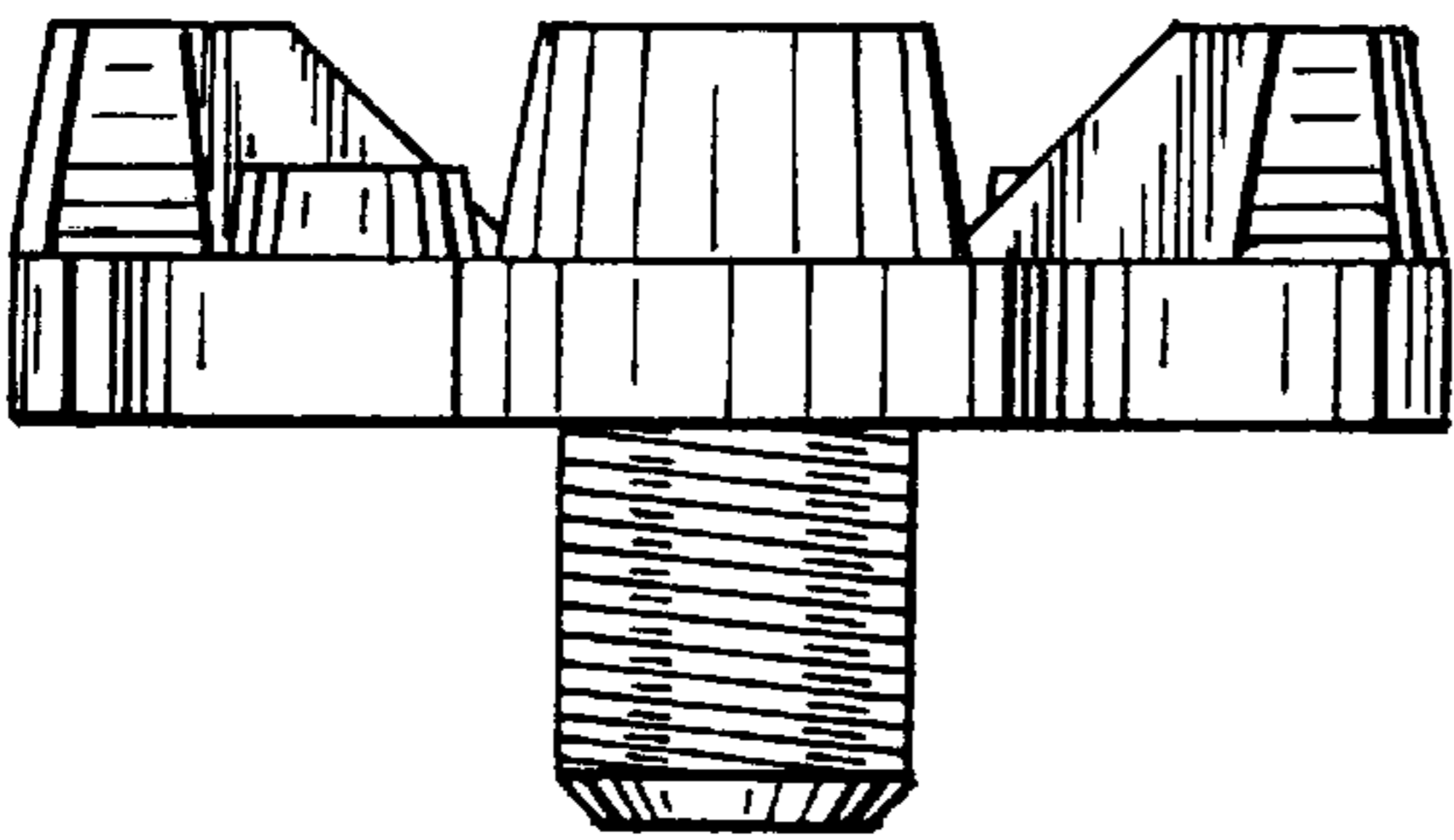


FIG.—5