



US00D410686S

United States Patent [19] Wear

[11] **Patent Number: Des. 410,686**
[45] **Date of Patent: ** Jun. 8, 1999**

[54] **LITERATURE HOLDER**

[75] Inventor: **Stuart C. W. Wear**, St. Louis Park, Minn.

[73] Assignee: **Popco, Inc.**, Minneapolis, Minn.

[**] Term: **14 Years**

[21] Appl. No.: **29/094,255**

[22] Filed: **Sep. 29, 1998**

[51] **LOC (6) Cl.** **19-02**

[52] **U.S. Cl.** **D19/90; D19/75; D19/86; D19/91; D6/553; D6/475**

[58] **Field of Search** **D6/330, 449, 466, D6/476, 475, 470, 471, 512, 553, 567, 572-574; D19/65, 75, 86, 90, 91; 211/11, 13.1, 50, 55; 40/642.02, 654.01, 124.01, 124.02, 124.06; D20/42**

[56] **References Cited**

U.S. PATENT DOCUMENTS

- D. 241,895 10/1976 Forbes D6/475
- D. 268,368 3/1983 Moss .
- D. 277,350 1/1985 Smith .
- D. 278,958 5/1985 Novak .
- D. 279,745 7/1985 Kellogg .

- D. 286,113 10/1986 Albery .
- D. 293,212 12/1987 Zuliani .
- D. 311,652 10/1990 Feller .
- D. 321,446 11/1991 Liptak D19/90 X
- D. 321,614 11/1991 Liptak .
- D. 330,470 10/1992 Liptak D19/90 X
- 3,884,410 5/1975 Giesecke 211/50 X
- 4,645,077 2/1987 McLaughlin et al. .
- 4,798,284 1/1989 Wakelin .
- 4,989,728 2/1991 Neyret et al. .
- 5,301,800 4/1994 Kenney 211/50 X

Primary Examiner—Martie K. Holtje
Attorney, Agent, or Firm—Patterson & Keough, P.A.

[57] **CLAIM**

The ornamental design for a literature holder, as shown and described.

DESCRIPTION

FIG. 1 is a perspective view of the literature holder of the present invention; FIG. 2 is a front elevational view of the literature holder; FIG. 3 is a side elevational view of the literature holder; FIG. 4 is a rear elevational view of the literature holder; FIG. 5 is a top plan view of the literature holder; and, FIG. 6 is a bottom plan view of the literature holder.

1 Claim, 2 Drawing Sheets

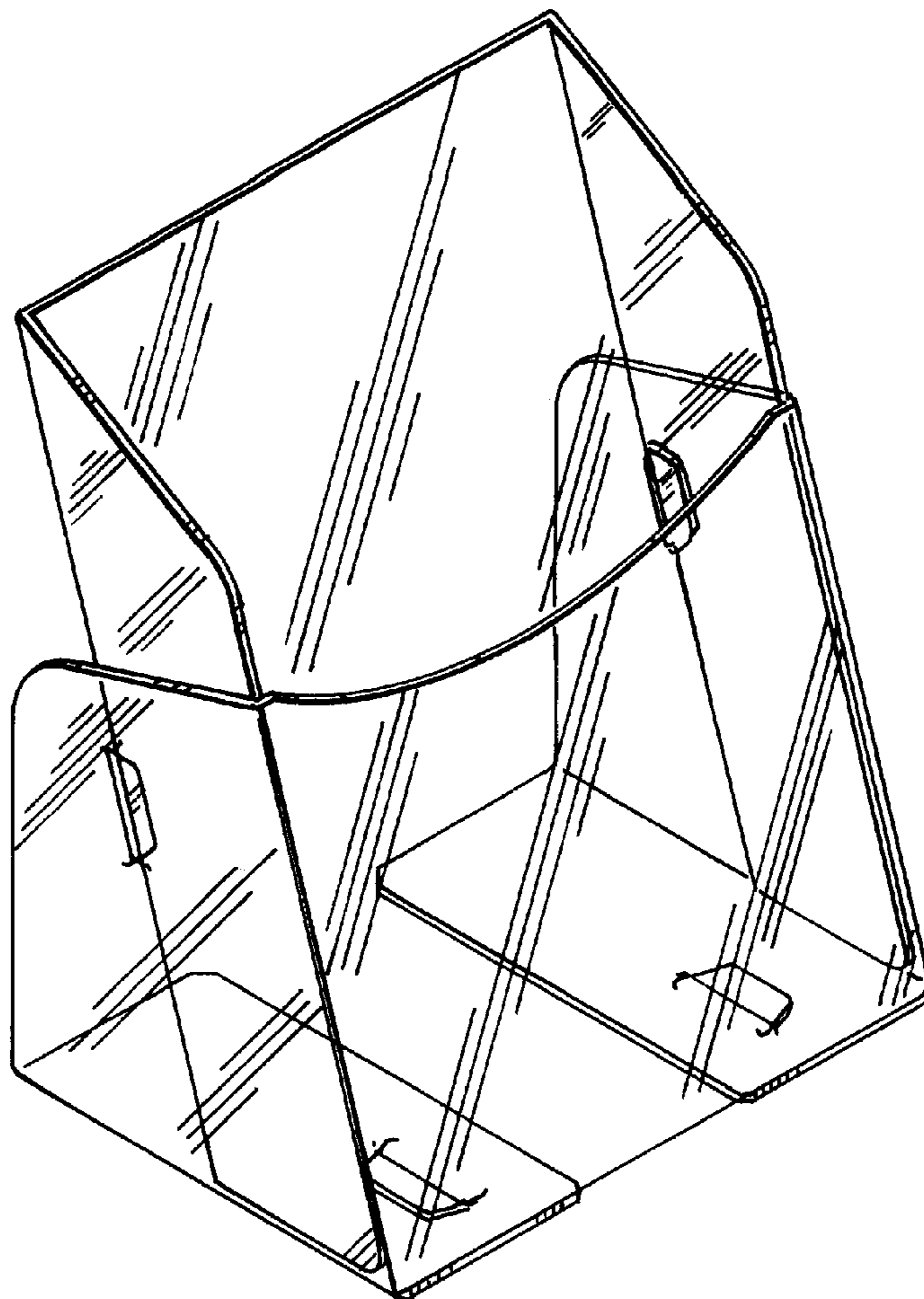


Fig. 1

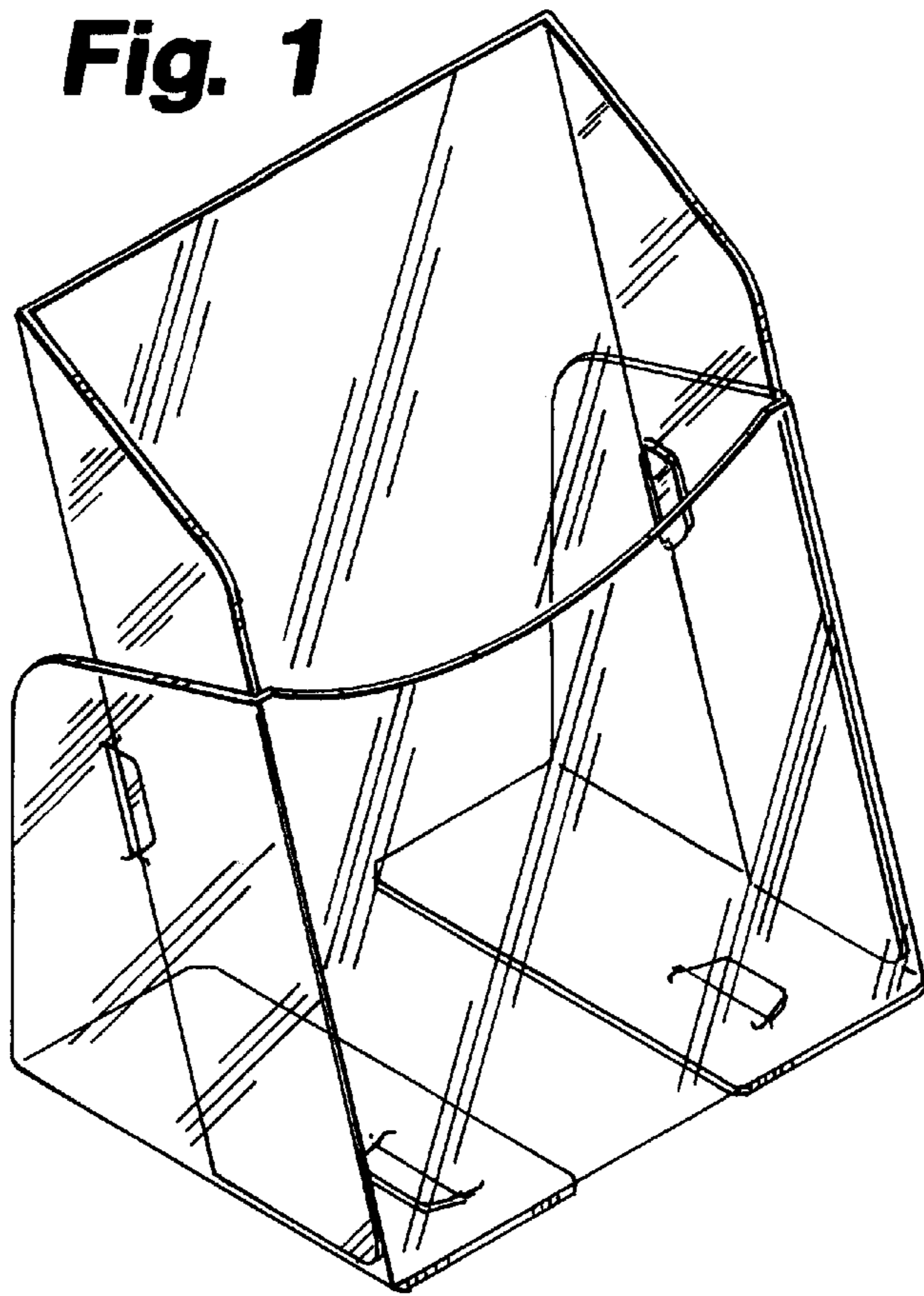


Fig. 2

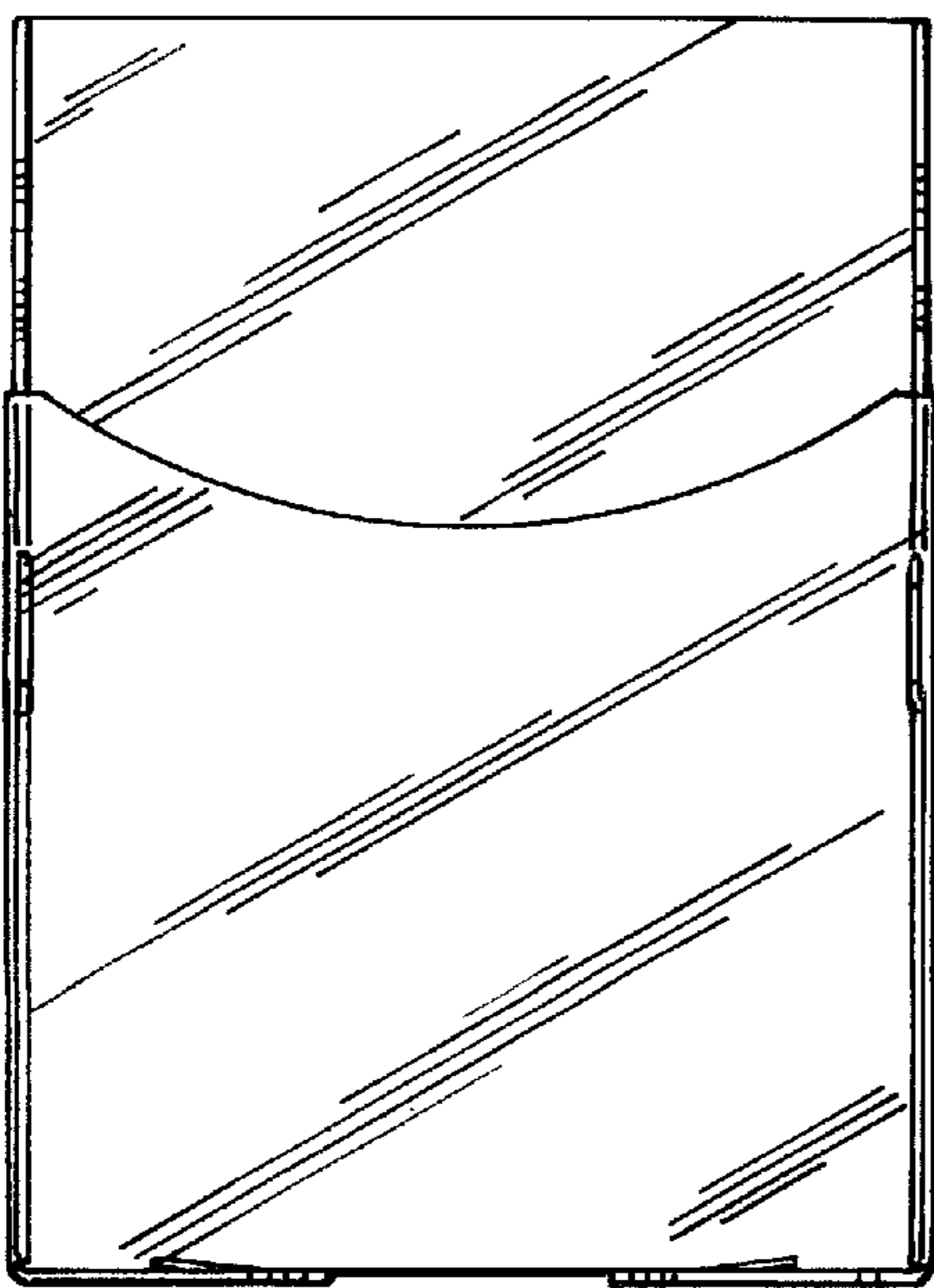


Fig. 3

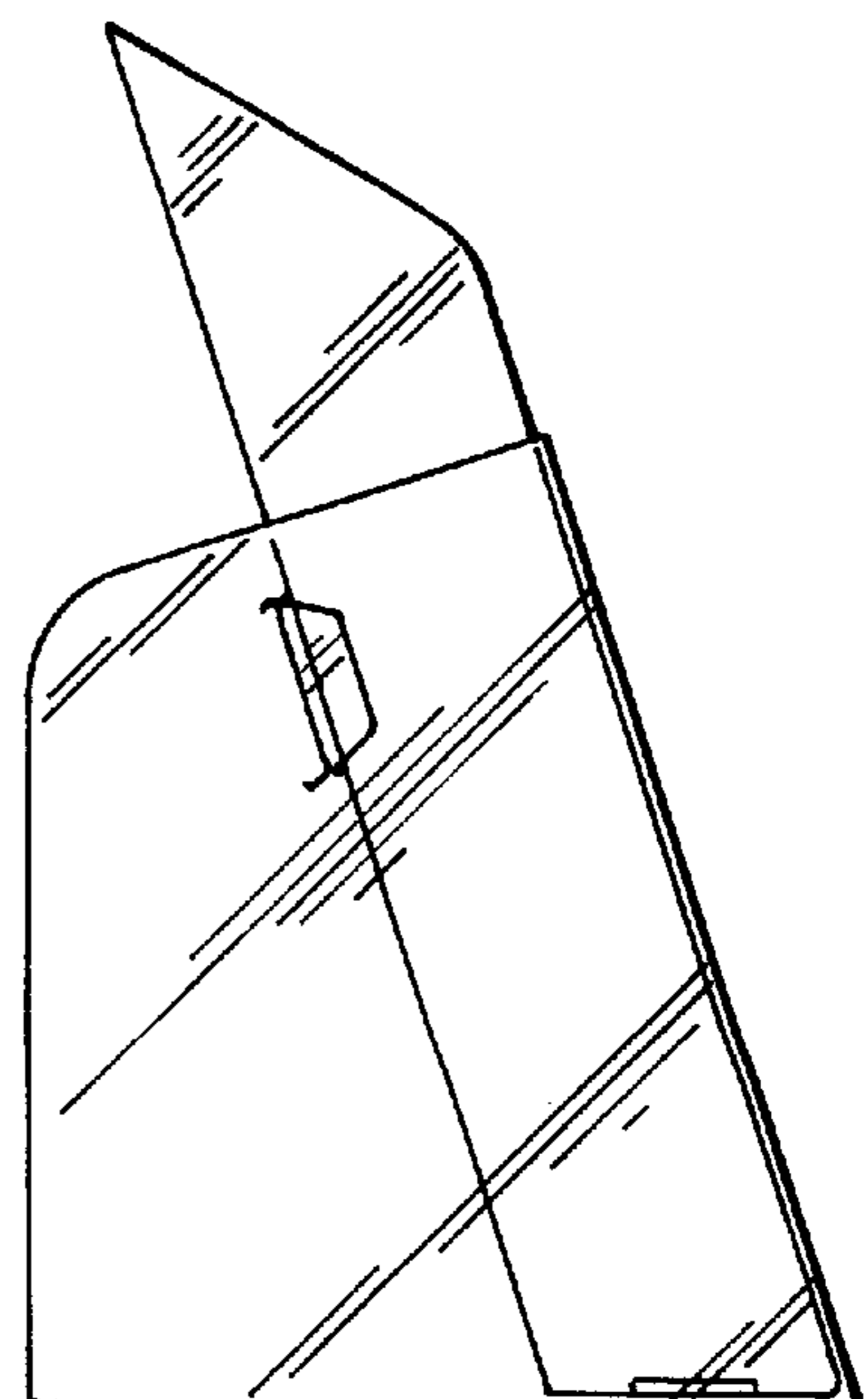


Fig. 4

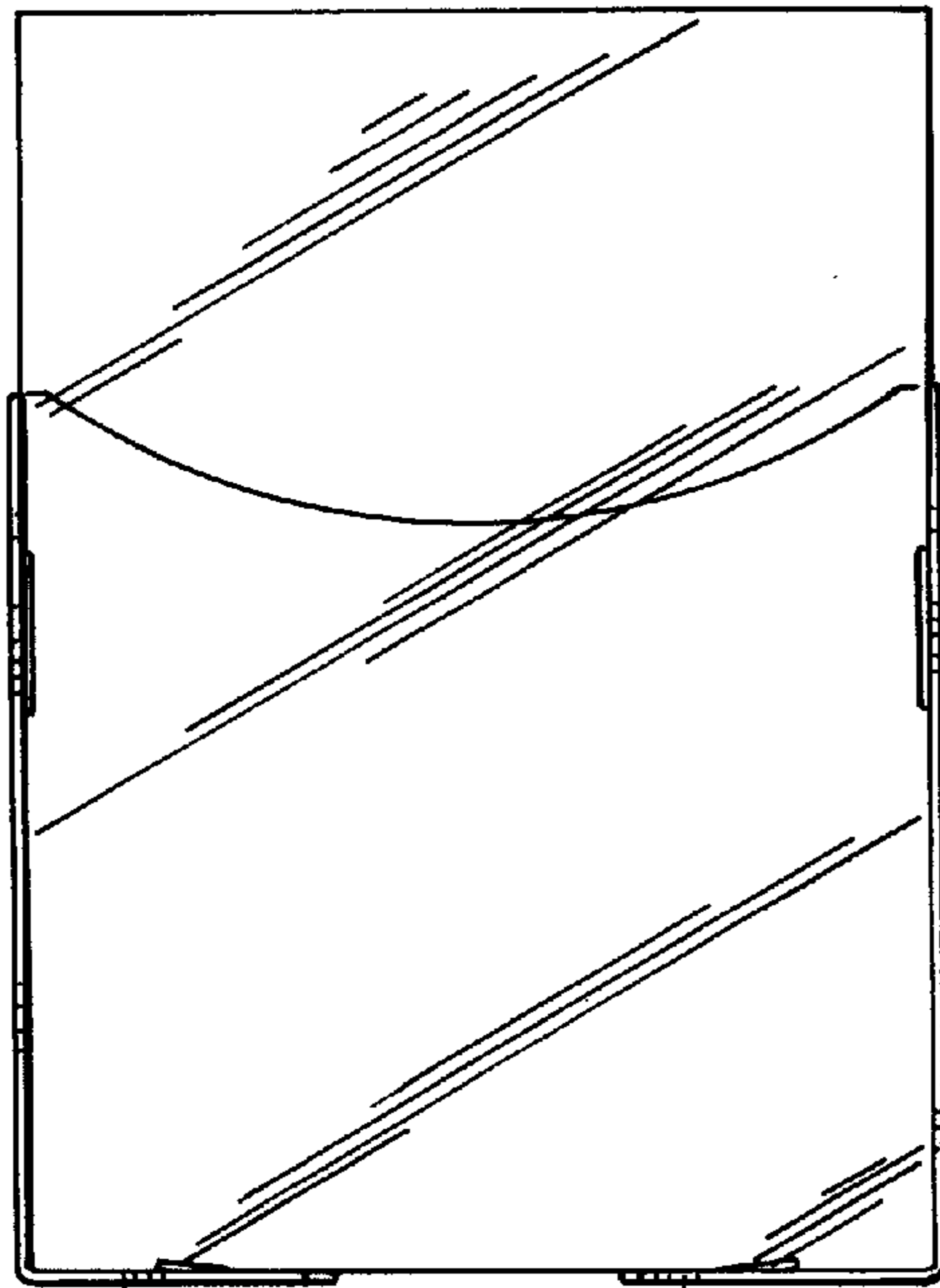


Fig. 5

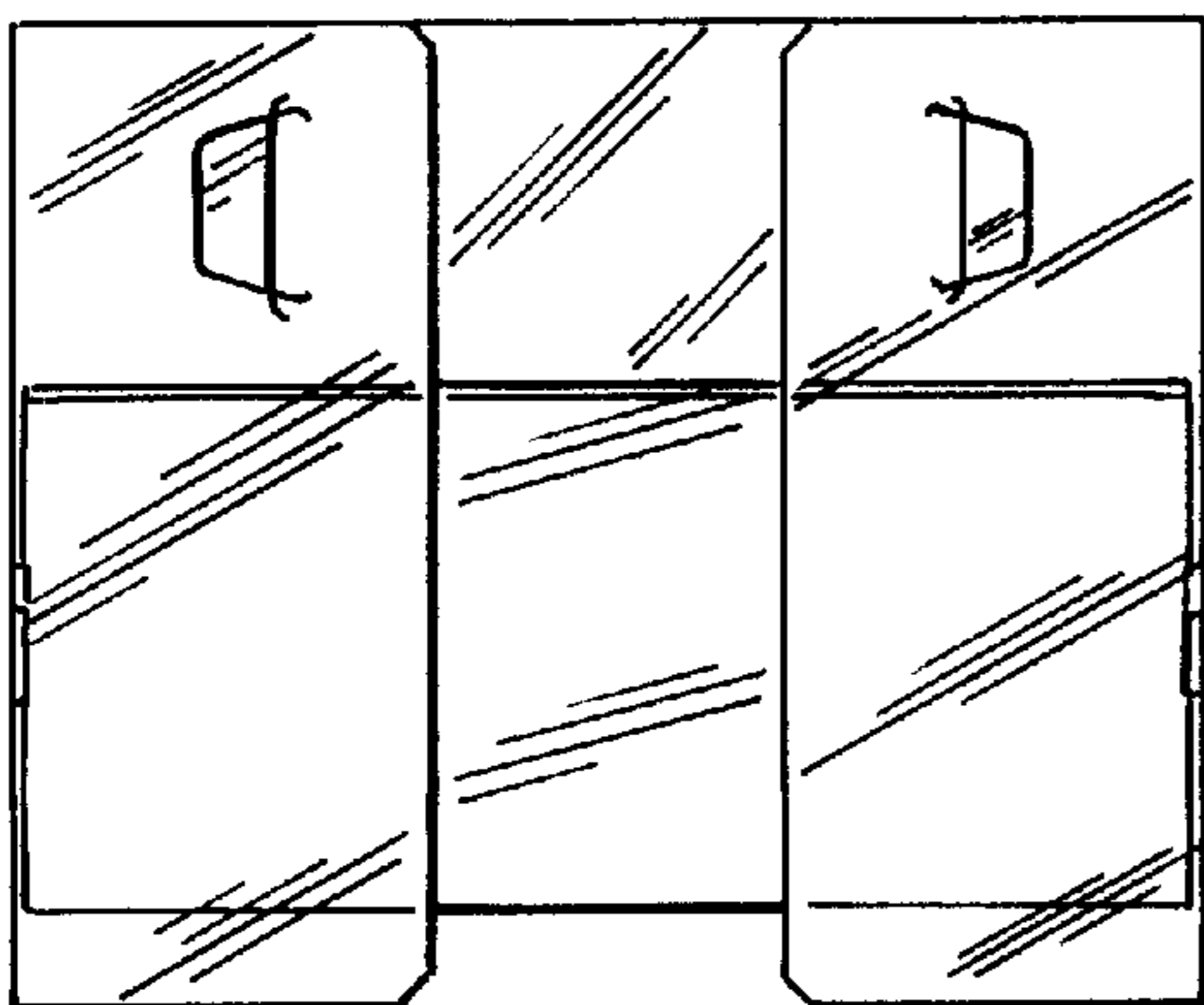


Fig. 6

