



US00D410685S

United States Patent [19]

Thorp et al.

[11] Patent Number: **Des. 410,685**

[45] Date of Patent: **** Jun. 8, 1999**

[54] **DOCUMENT STORAGE AND DISPLAY UNIT**

4-5910 1/1992 Japan .
2 204 479 11/1988 United Kingdom .

[75] Inventors: **Clarkson S. Thorp**, Wayland; **Douglas R. Himebaugh**, Fruitport, both of Mich.

OTHER PUBLICATIONS

[73] Assignee: **Haworth, Inc.**, Holland, Mich.

Levenger Holiday 1994 Brochure, p. 40.
Drawings from U.S. Provisional Application Serial No. 60/019407, filed Jun. 7, 1996, Rim Top Table (Atty Ref: Haworth PA C-01).

[**] Term: **14 Years**

Drawings from U.S. Provisional Application Serial No. 60/019 425, filed Jun. 7, 1996, Spacial Organizer for Papers (Atty Ref: Haworth PA C-03).

[21] Appl. No.: **29/088,944**

Drawings from U.S. Application Serial No. 08/870 954, filed Jun. 6, 1997, Table With Article-Supportive Surround (Atty Ref: Haworth Case 240).

[22] Filed: **Jun. 4, 1998**

[51] **LOC (6) Cl.** **19-02**

[52] **U.S. Cl.** **D19/90; D19/91; D19/86**

[58] **Field of Search** D19/65, 75, 78, D19/86, 90, 91, 95, 99, 100; D6/474, 475, 467; D21/392; 211/10, 11, 13.1, 42, 45, 50, 52, 55, 126.13; 248/441.1, 442.2, 473

Drawings from U.S. Application Serial No. 08/870 789, filed Jun. 6, 1997, Computer Work Station (Atty Ref: Haworth C-242).

Drawing Figs. 1 and 7 from U.S. Application Serial No. 08/890 914 filed Jul. 10, 1997, Work Station (Atty Ref: Haworth Case 249).

[56] **References Cited**

U.S. PATENT DOCUMENTS

- D. 118,484 1/1940 Salomon .
- D. 250,960 1/1979 Bitner, Jr. et al D19/90
- D. 301,490 6/1989 Horowitz D19/90
- D. 367,501 2/1996 Molt D21/392
- D. 370,571 6/1996 Newhouse et al. .
- D. 388,465 12/1997 Markelz et al. D19/86 X
- D. 389,336 1/1998 Moore .
- D. 389,667 1/1998 Moore .
- D. 389,870 1/1998 Hart et al. D19/90
- 581,237 4/1897 Mautz 211/50
- 808,318 12/1905 Thomas et al. .
- 1,898,666 2/1933 Isaacson .
- 2,153,422 4/1939 Kroman .
- 2,305,244 12/1942 Erickson .
- 2,480,233 8/1949 Fuller .
- 2,520,490 8/1950 Boward .
- 2,607,052 8/1952 Le Roy .

(List continued on next page.)

FOREIGN PATENT DOCUMENTS

- 0 481 159 A1 4/1992 European Pat. Off. .
- 0 531 794 A1 3/1993 European Pat. Off. .
- 1 221 737 6/1960 France .
- 92 04 035 6/1992 Germany .

Primary Examiner—Martie K. Holtje
Attorney, Agent, or Firm—Flynn, Thiel, Boutell & Tanis, P.C.

[57] **CLAIM**

The ornamental design of a document storage and display unit, as shown and described.

DESCRIPTION

FIG. 1 is a front perspective view of a first embodiment of the document storage and display unit embodying our design;

FIG. 2 is a front view thereof;

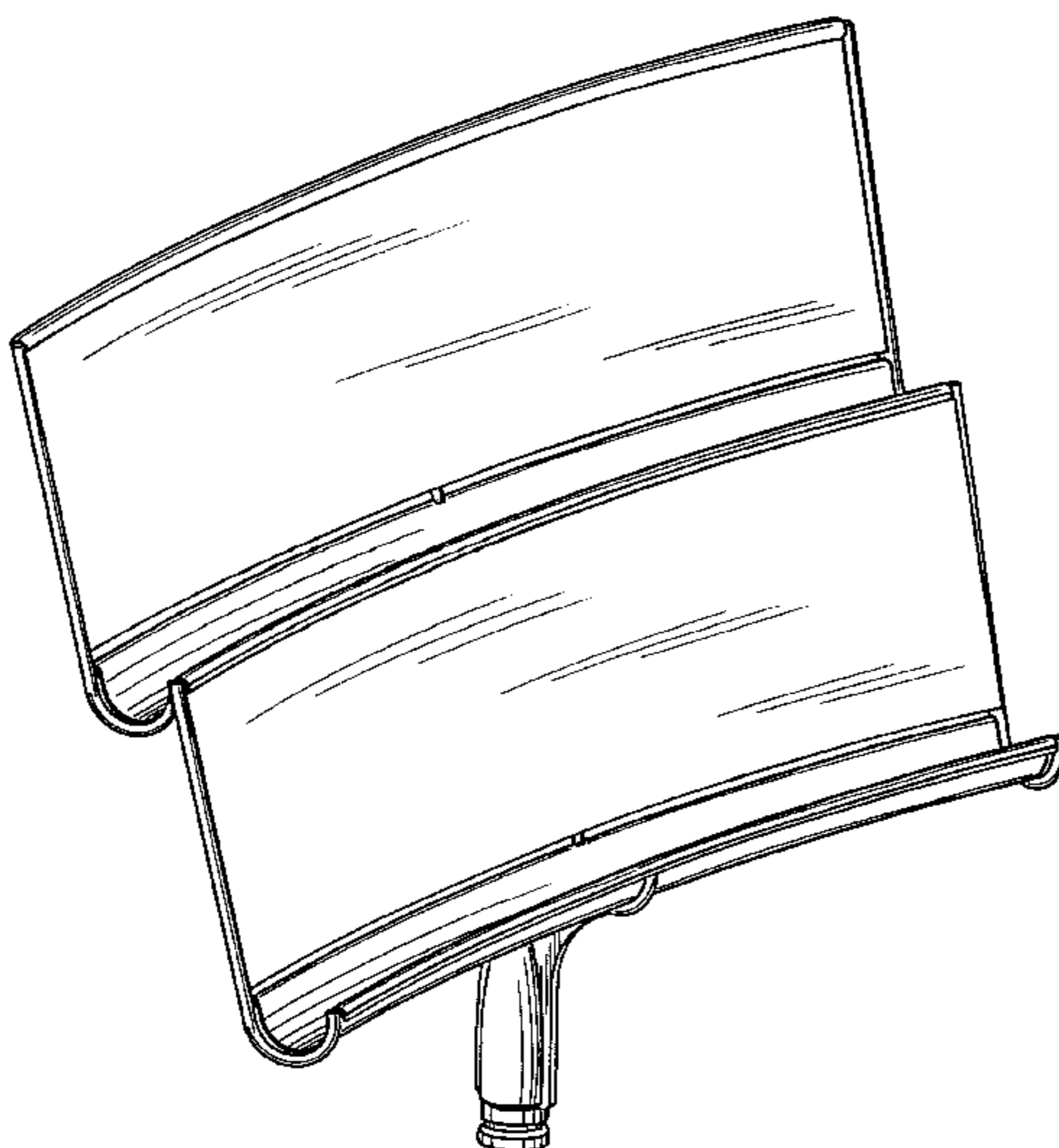
FIG. 3 is a rear view thereof;

FIG. 4 is a top plan view thereof;

FIG. 5 is a right side view thereof, the left side view being a mirror image thereof; and,

FIG. 6 is a perspective view of a second embodiment of the document storage and display unit which is identical to the first embodiment except that the rear portions of the shelves are defined by mesh-like screens including openings which penetrate through the screens.

1 Claim, 5 Drawing Sheets



Des. 410,685

Page 2

U.S. PATENT DOCUMENTS

3,160,283	12/1964	Lachance .	4,948,205	8/1990	Kelley .
3,366,415	1/1968	Cooper .	5,009,335	4/1991	Jonker .
3,464,372	9/1969	Fiterman et al. .	5,024,167	6/1991	Hayward .
3,759,569	9/1973	Bennet .	5,120,117	6/1992	Williams .
3,895,720	7/1975	Presberg 211/50	5,289,926	3/1994	Lewis et al. .
4,569,498	2/1986	Ermanski .	5,301,068	4/1994	Minisci 248/473 X
4,605,988	8/1986	Nienhuis et al. .	5,357,873	10/1994	Hilton .
4,612,863	9/1986	Vonhausen et al. .	5,473,994	12/1995	Foley et al. .
4,802,595	2/1989	Northington .	5,609,112	3/1997	Meyer et al. .
4,852,500	8/1989	Ryburg et al. .	5,694,862	12/1997	Grubb .
4,914,873	4/1990	Newhouse .	5,758,781	6/1998	Lord et al. 211/55
4,938,366	7/1990	Carroll .	5,823,359	10/1998	Harris et al. 211/11

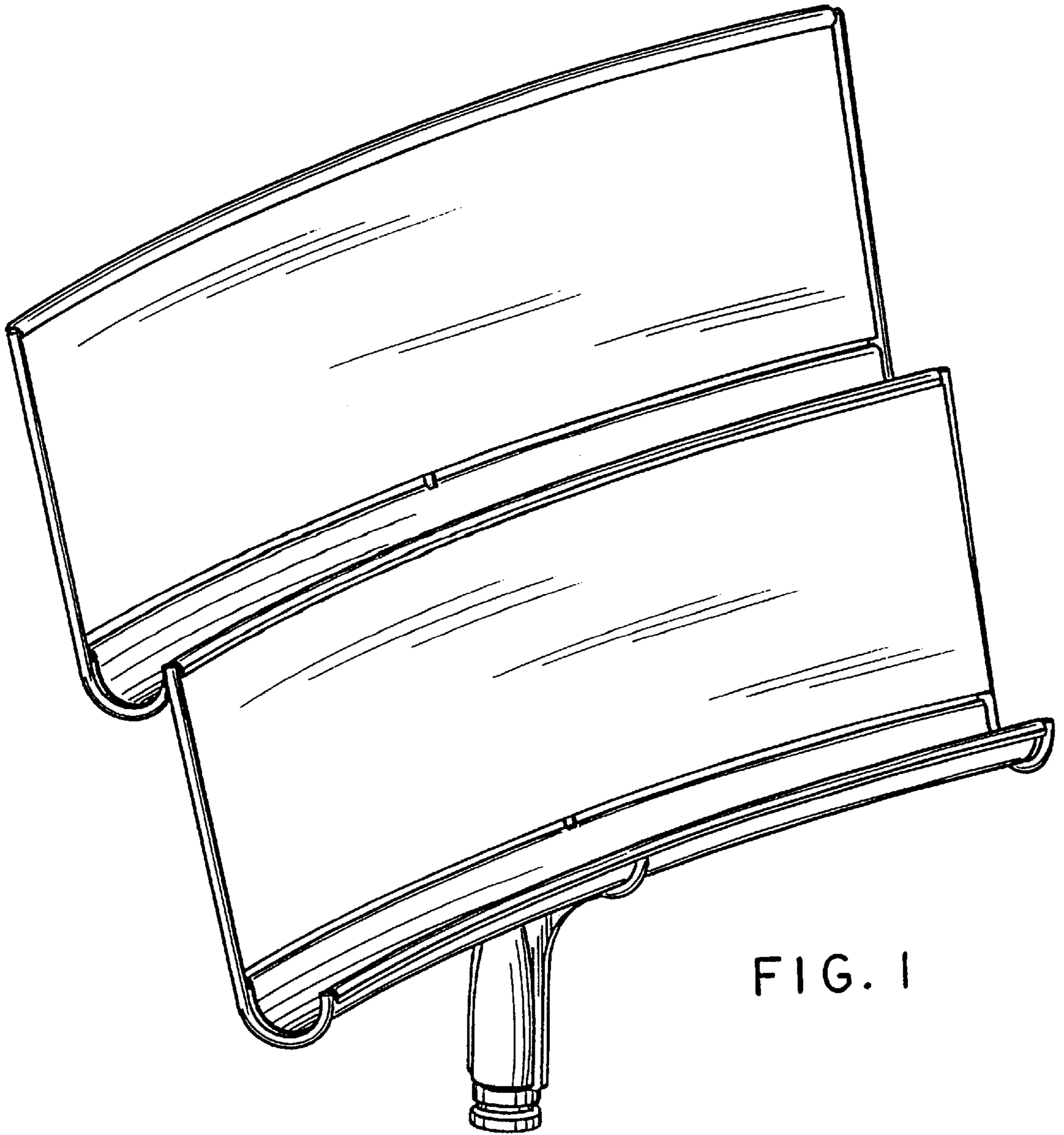


FIG. 1

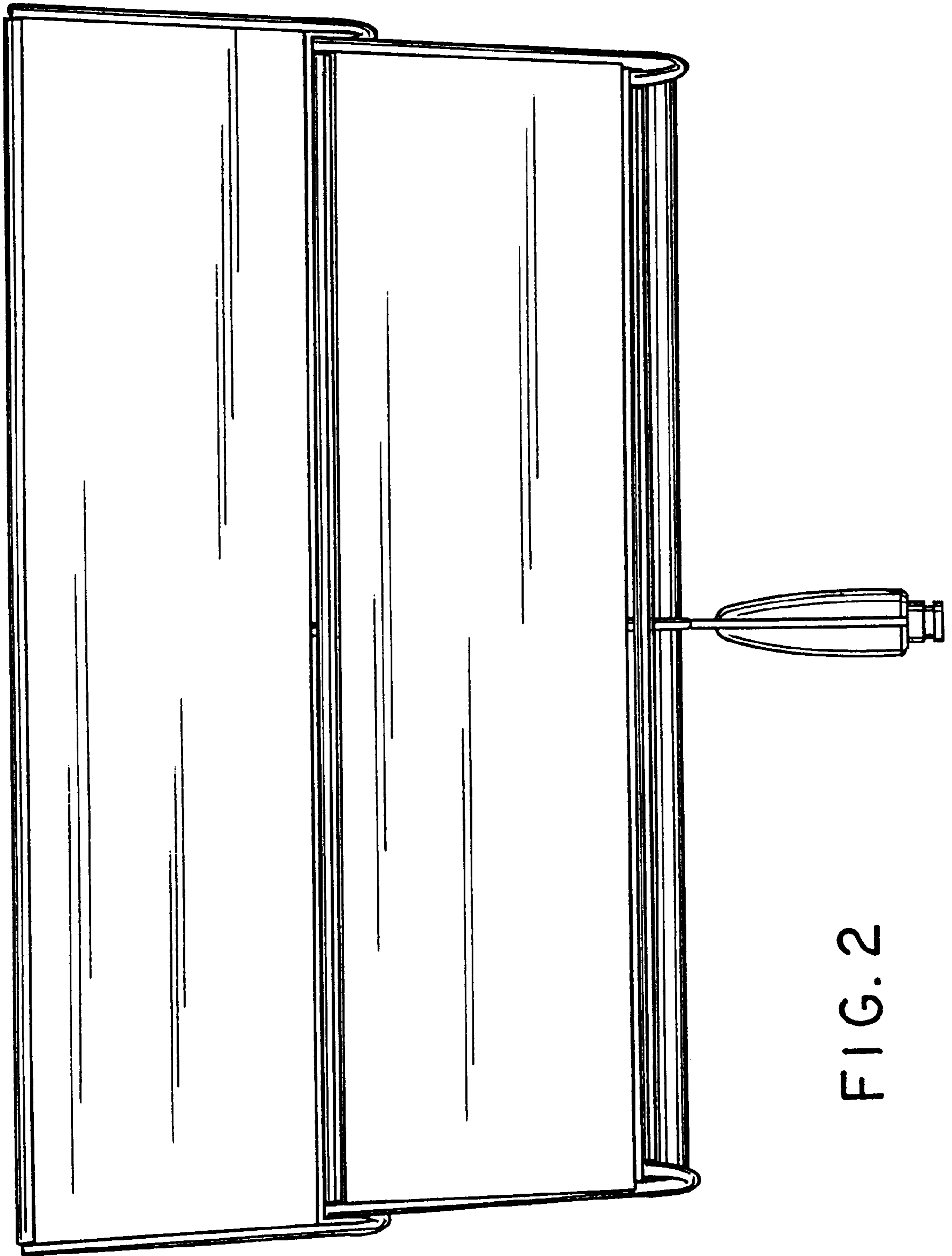


FIG. 2

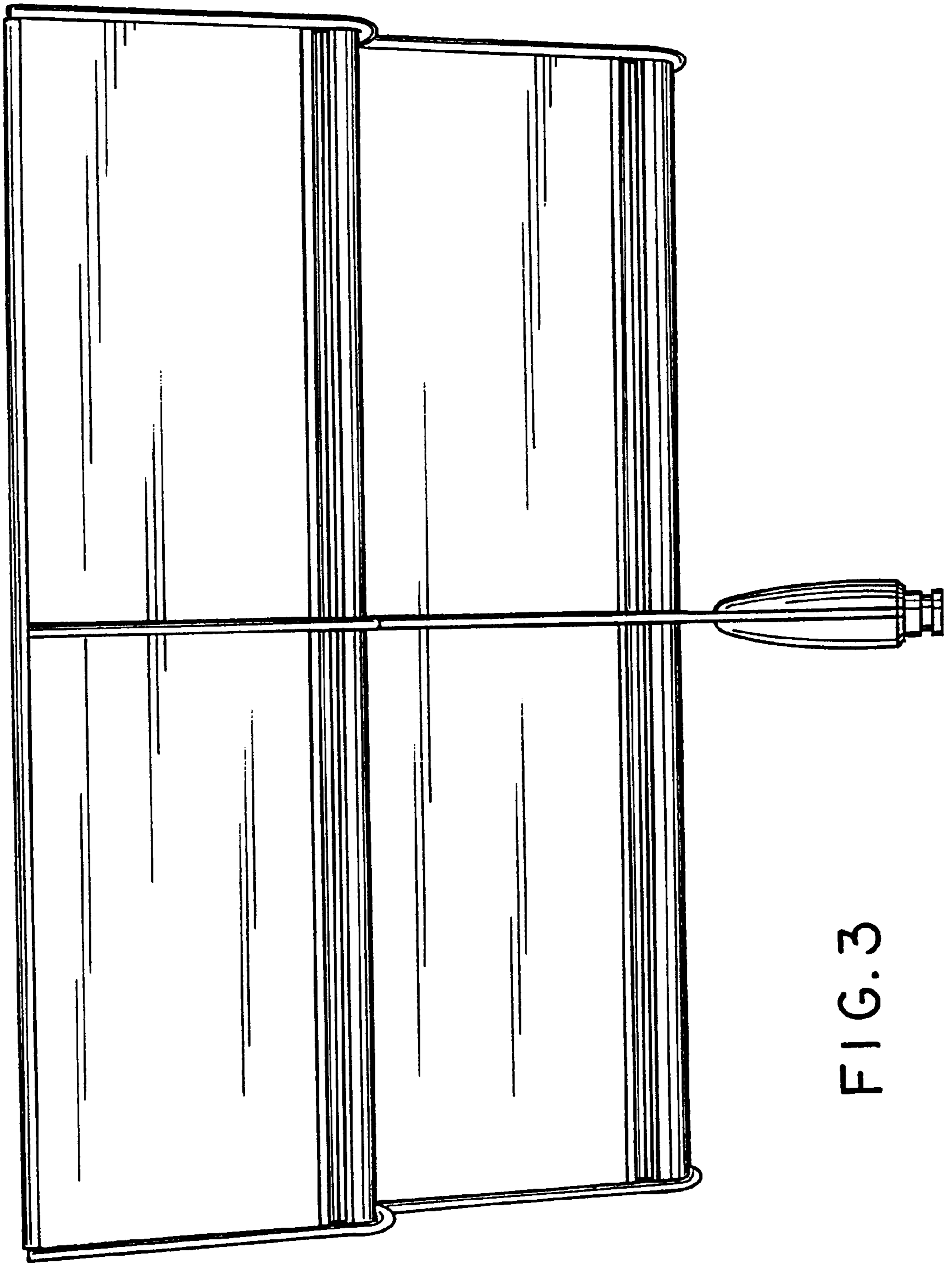


FIG. 3



FIG. 4

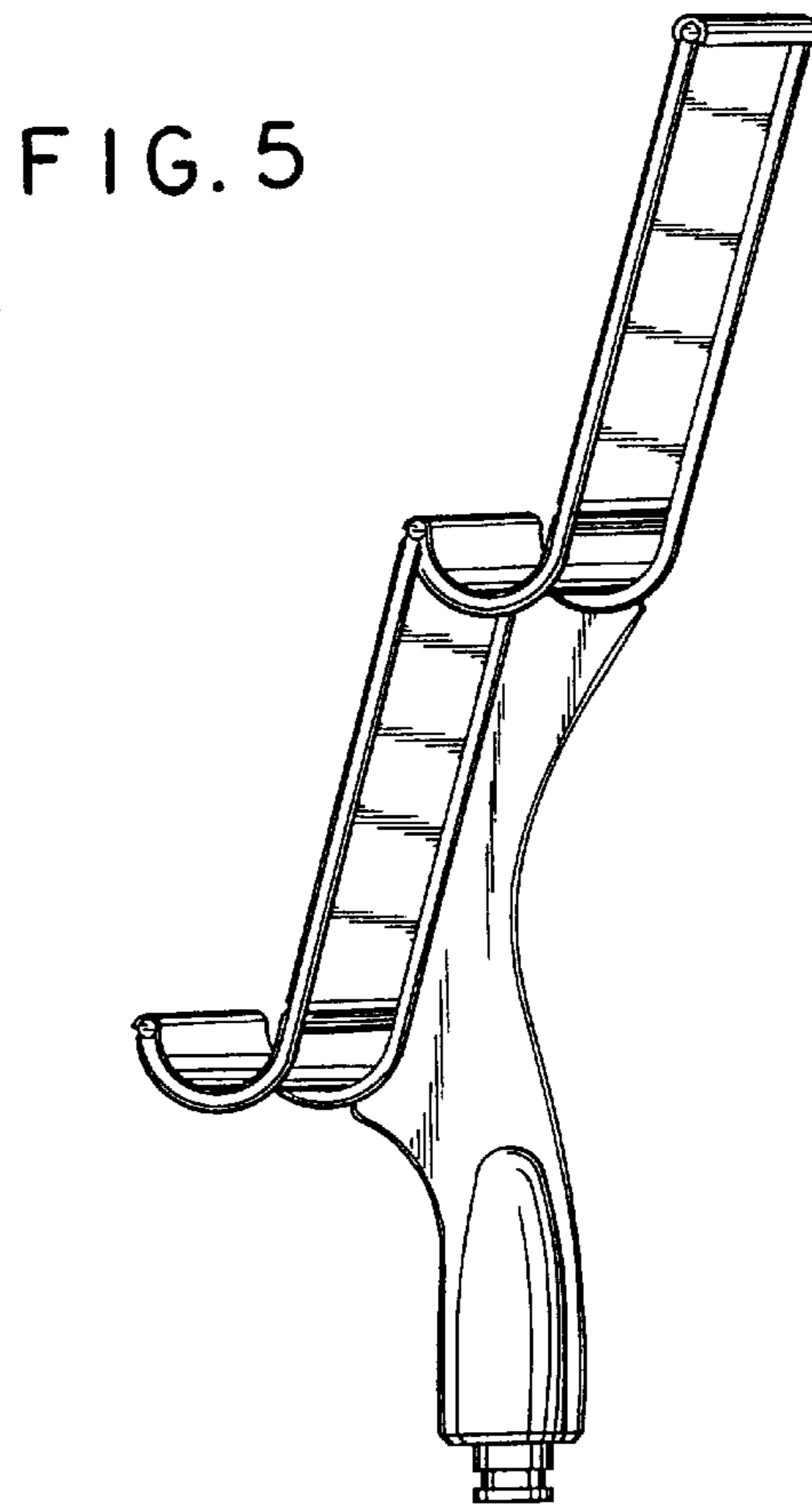


FIG. 5

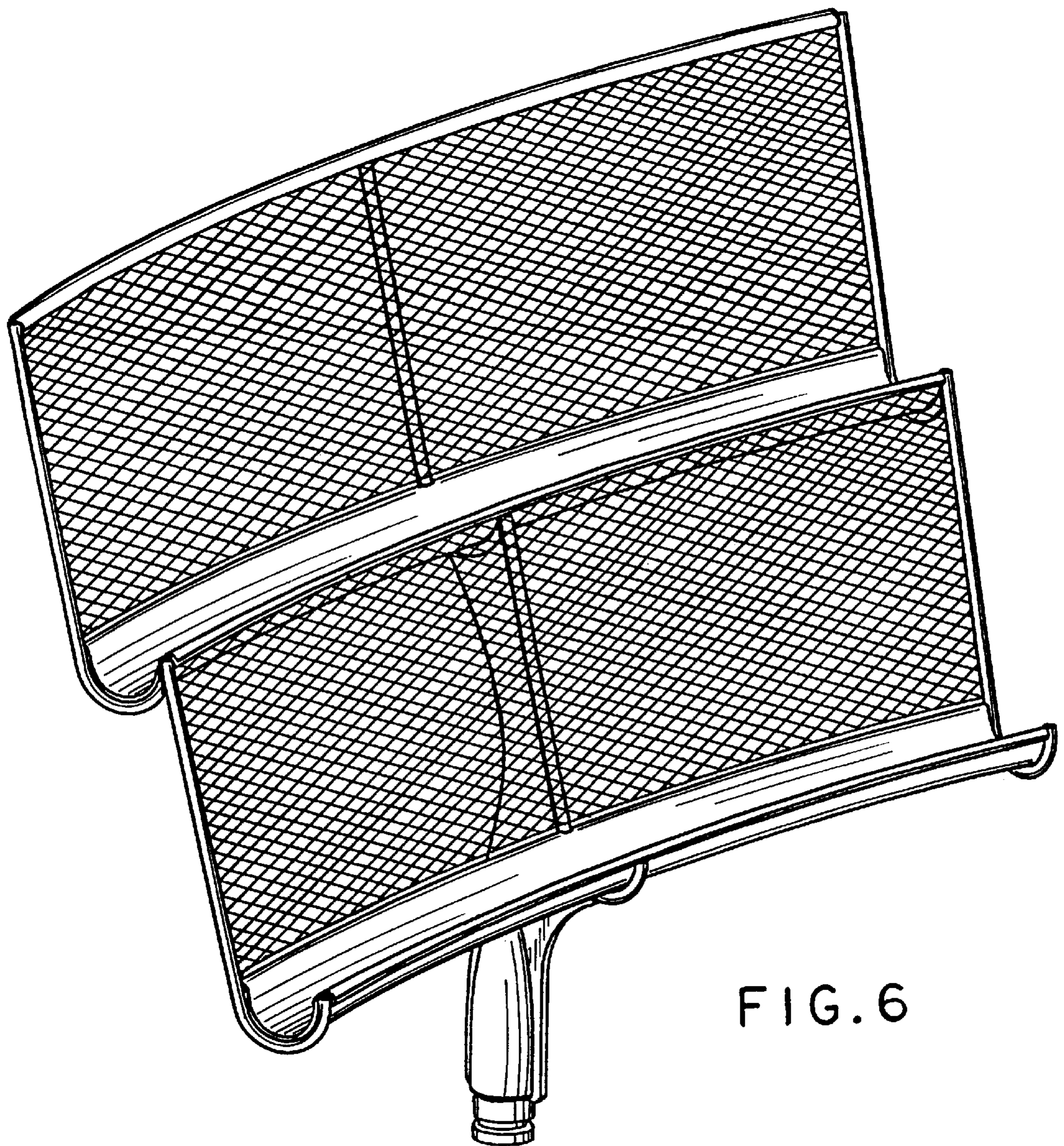


FIG. 6