



US00D410683S

United States Patent [19]
Carter

[11] **Patent Number: Des. 410,683**
[45] **Date of Patent: ** Jun. 8, 1999**

[54] **ERASABLE CERAMIC MESSAGE PAD**

[76] Inventor: **Robert L. Carter**, 21452 Countryside,
Lake Forest, Calif. 92630

[**] Term: **14 Years**

[21] Appl. No.: **29/073,453**

[22] Filed: **Jul. 10, 1997**

[51] **LOC (6) Cl.** **19-06**

[52] **U.S. Cl.** **D19/52; D6/311; D19/65;**
D19/95

[58] **Field of Search** D19/35, 36, 52,
D19/65, 86, 90, 91, 95, 99, 100; 40/1; D6/300-311;
D20/10, 42; 434/408, 409, 410, 413, 421,
422; 428/48

[56] **References Cited**

U.S. PATENT DOCUMENTS

D. 278,666	5/1985	McCartin	D6/300
D. 292,418	10/1987	Perry	D19/52
D. 316,188	4/1991	Connor et al.	D6/300
D. 324,073	2/1992	Pinkos et al.	D19/52

D. 353,942	1/1995	Lo et al.	D6/311 X
D. 356,832	3/1995	Maxwell-Trumble et al.	D6/300 X
4,129,671	12/1978	Greenberg	428/48

Primary Examiner—Martie K. Holtje
Attorney, Agent, or Firm—George F. Bethel

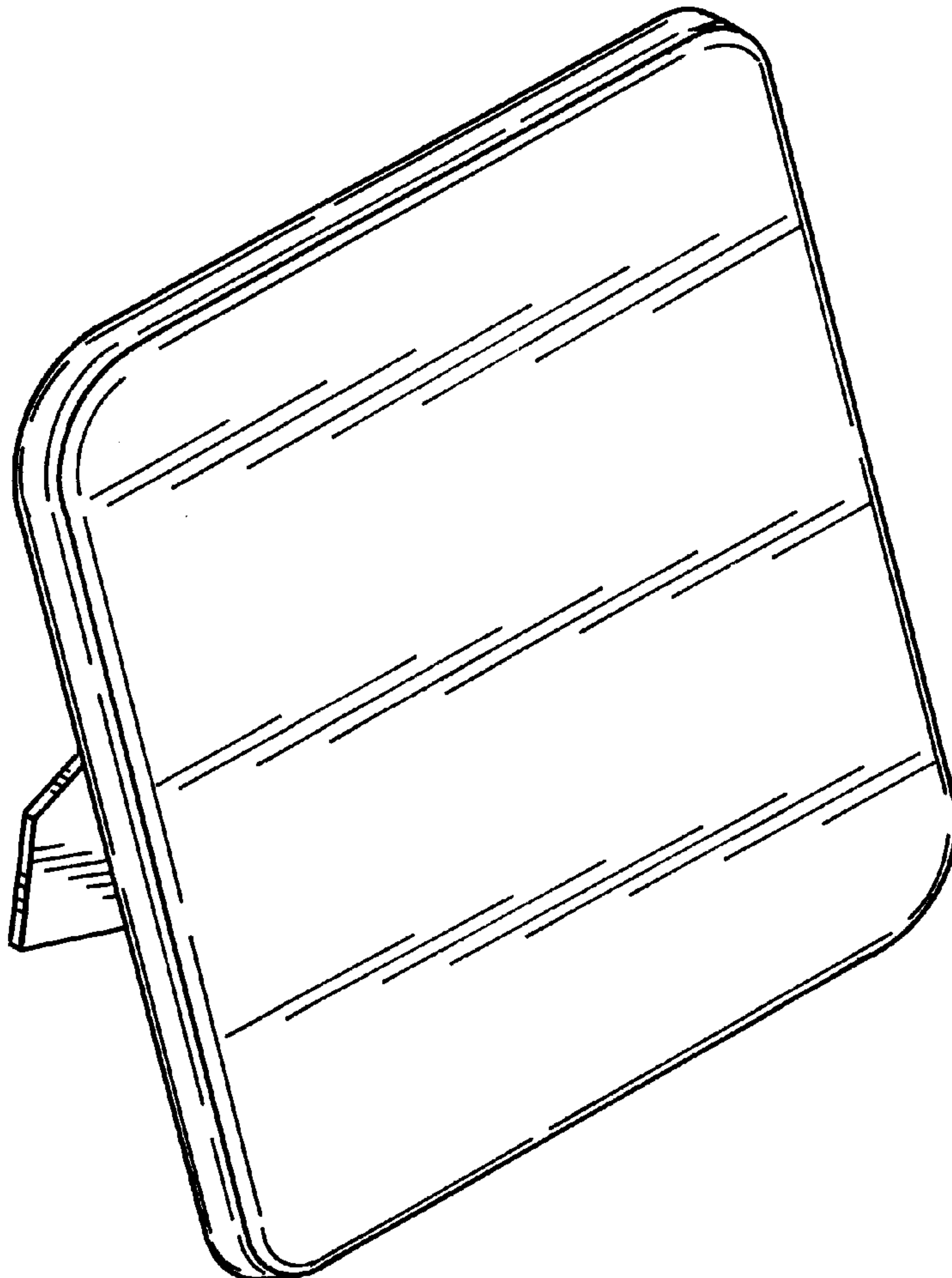
[57] **CLAIM**

I claim the ornamental design for an erasable ceramic message pad, as shown.

DESCRIPTION

FIG. 1 shows a frontal perspective view of my erasable ceramic message pad.
FIG. 2 is a side elevation view looking from the left side of FIG. 1.
FIG. 3 is a frontal elevation view.
FIG. 4 is a top plan view.
FIG. 5 is a side elevation view looking from the right side of FIG. 1.
FIG. 6 is a rear elevation view; and,
FIG. 7 is a bottom plan view thereof.

1 Claim, 2 Drawing Sheets



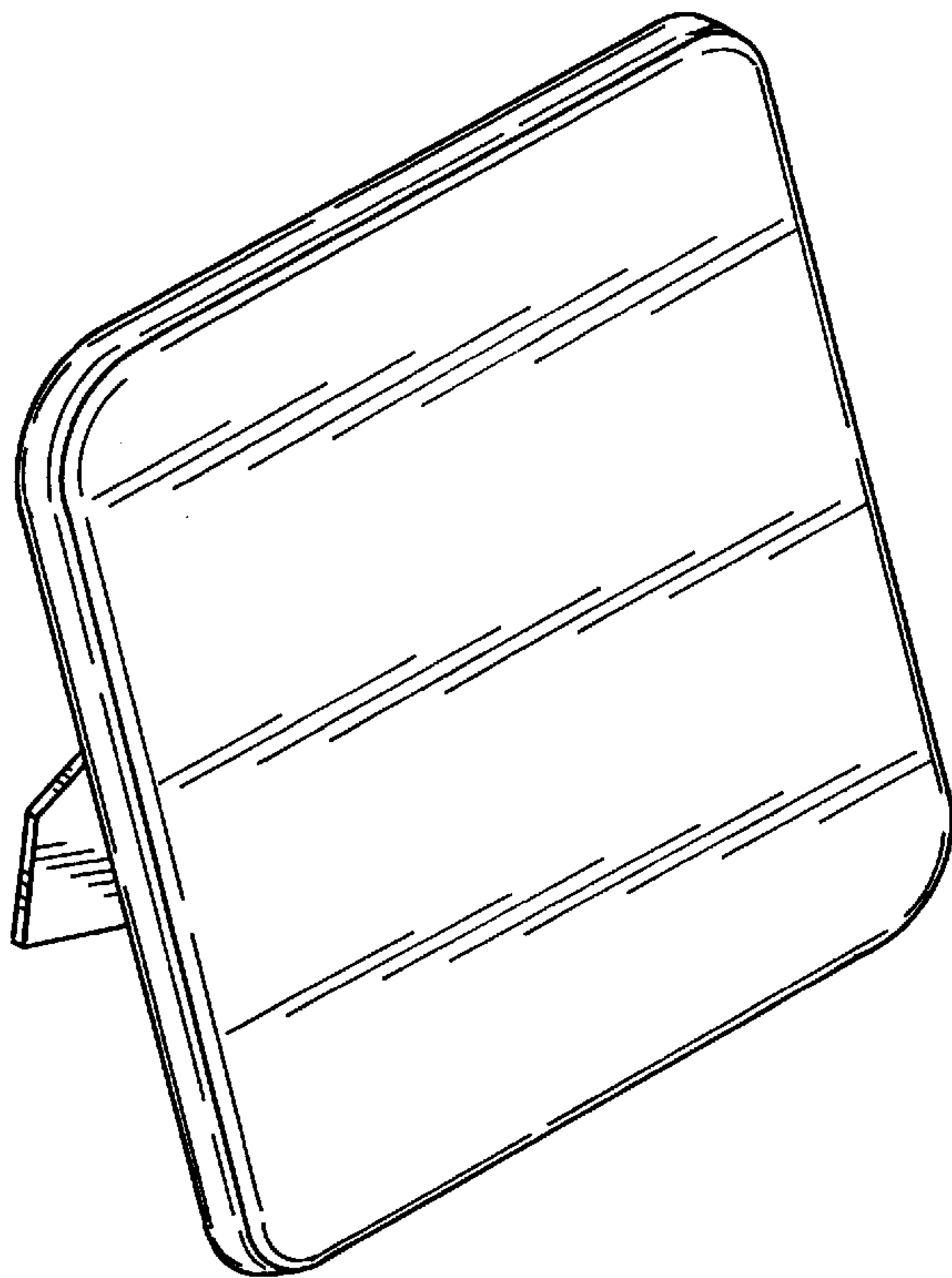


FIG. 1

FIG. 3

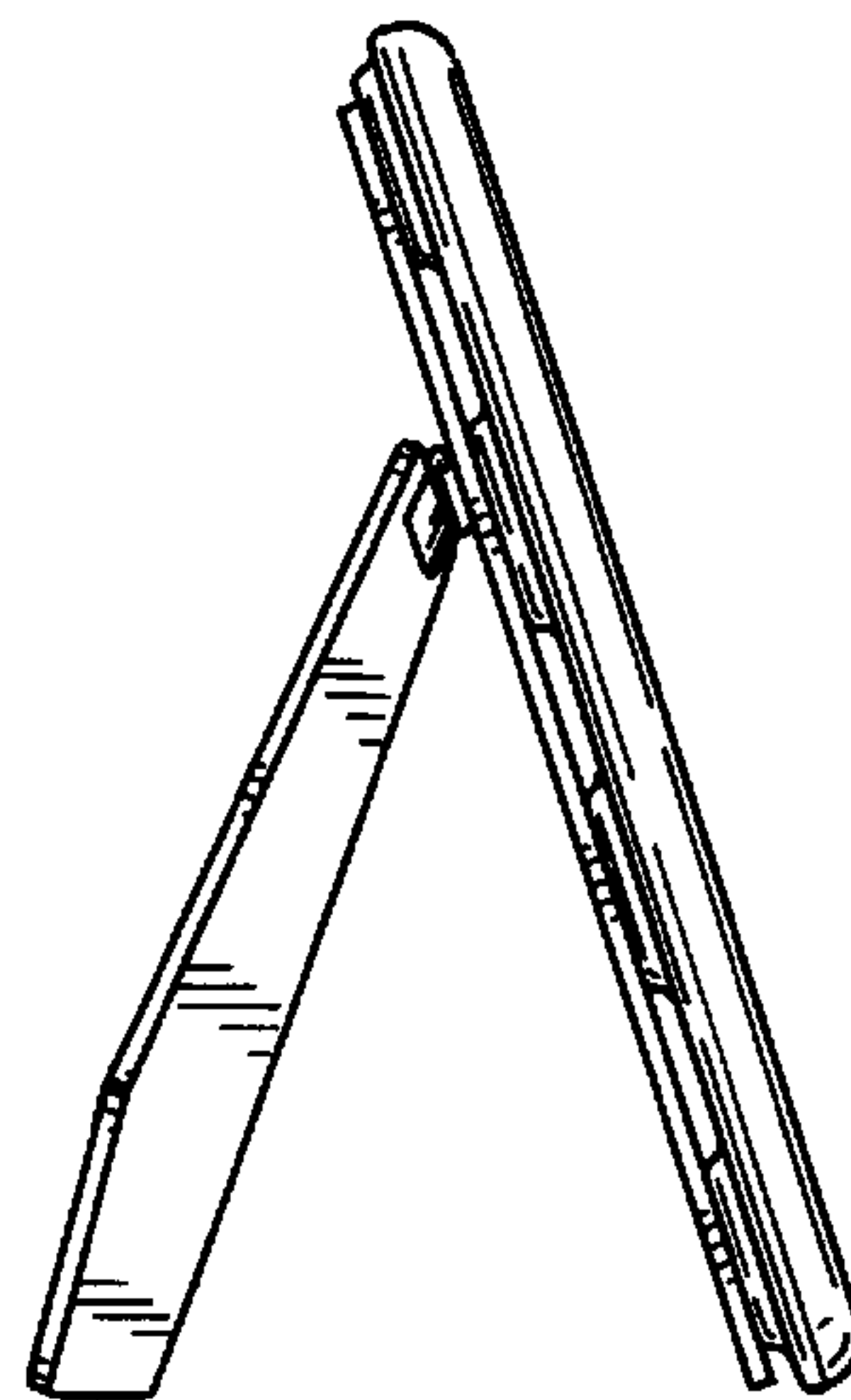
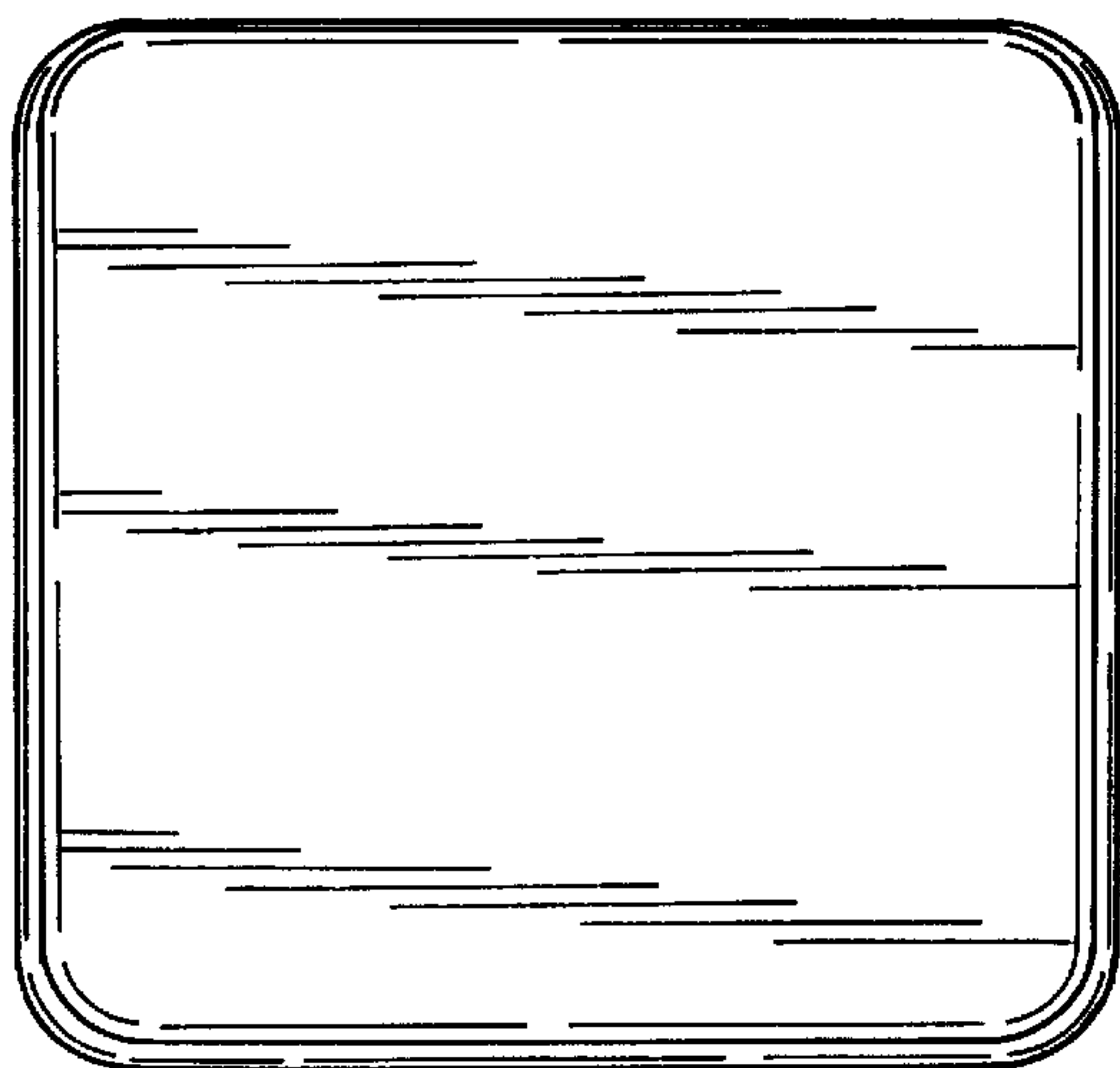


FIG. 2

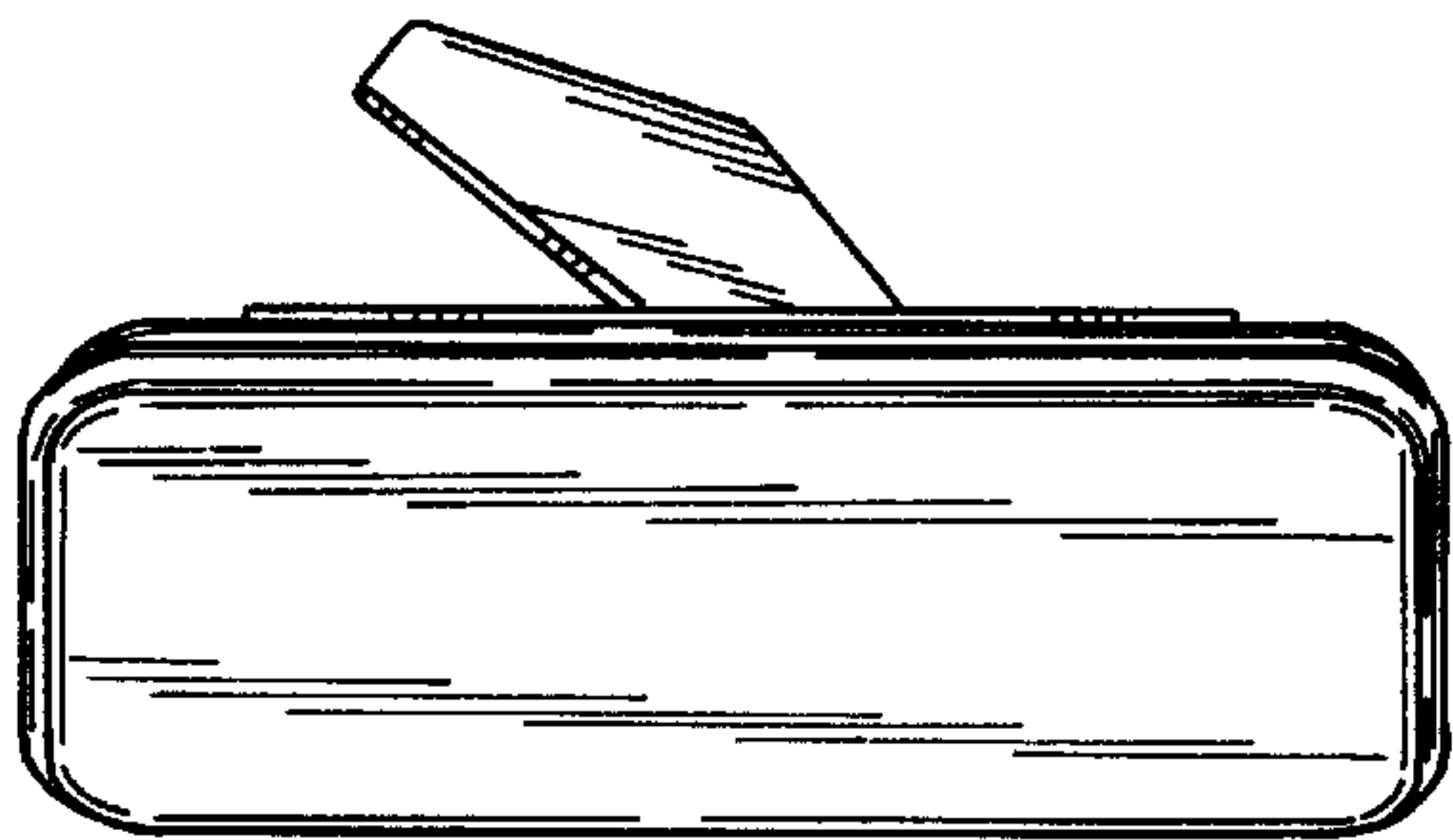


FIG. 4

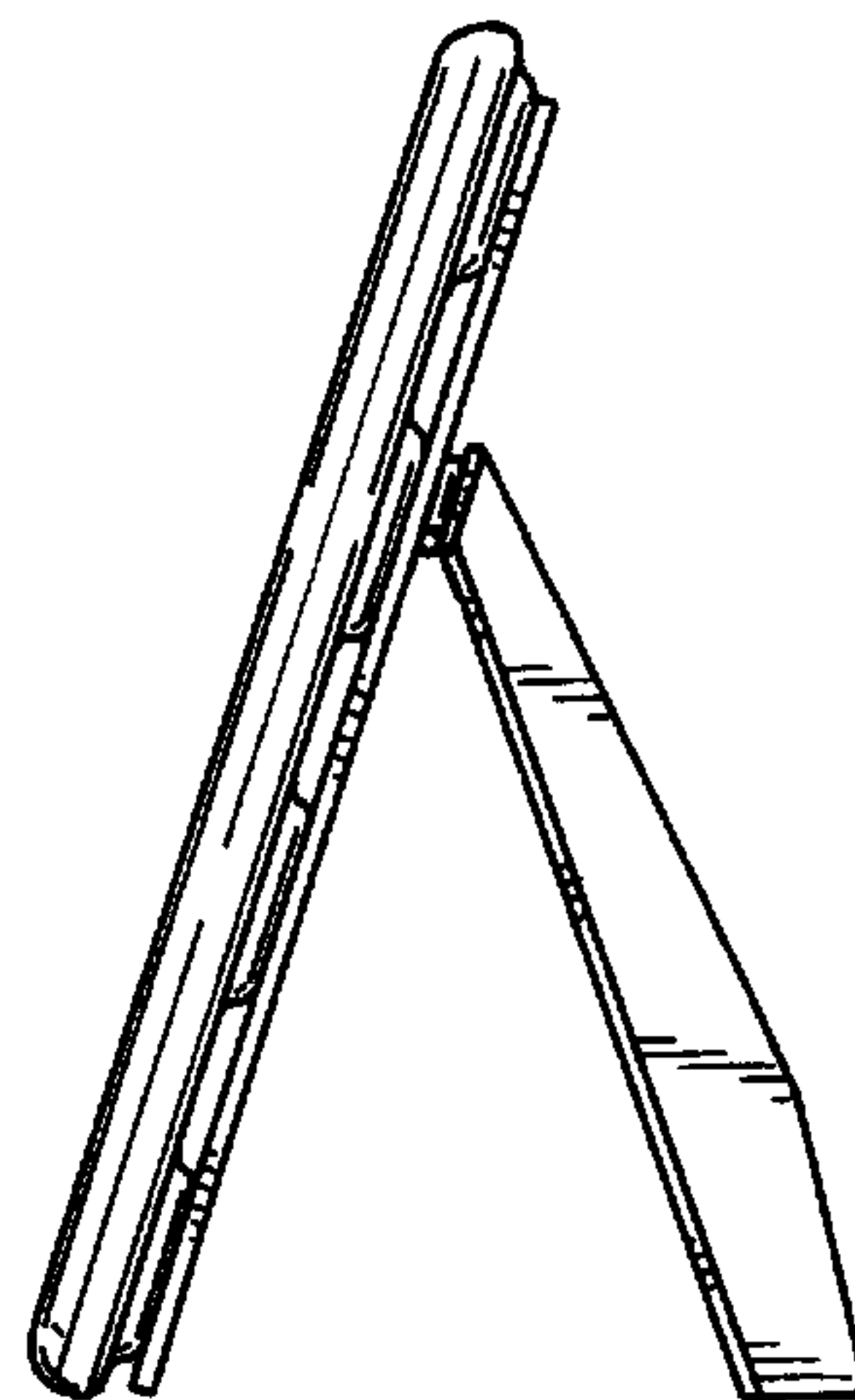


FIG. 5

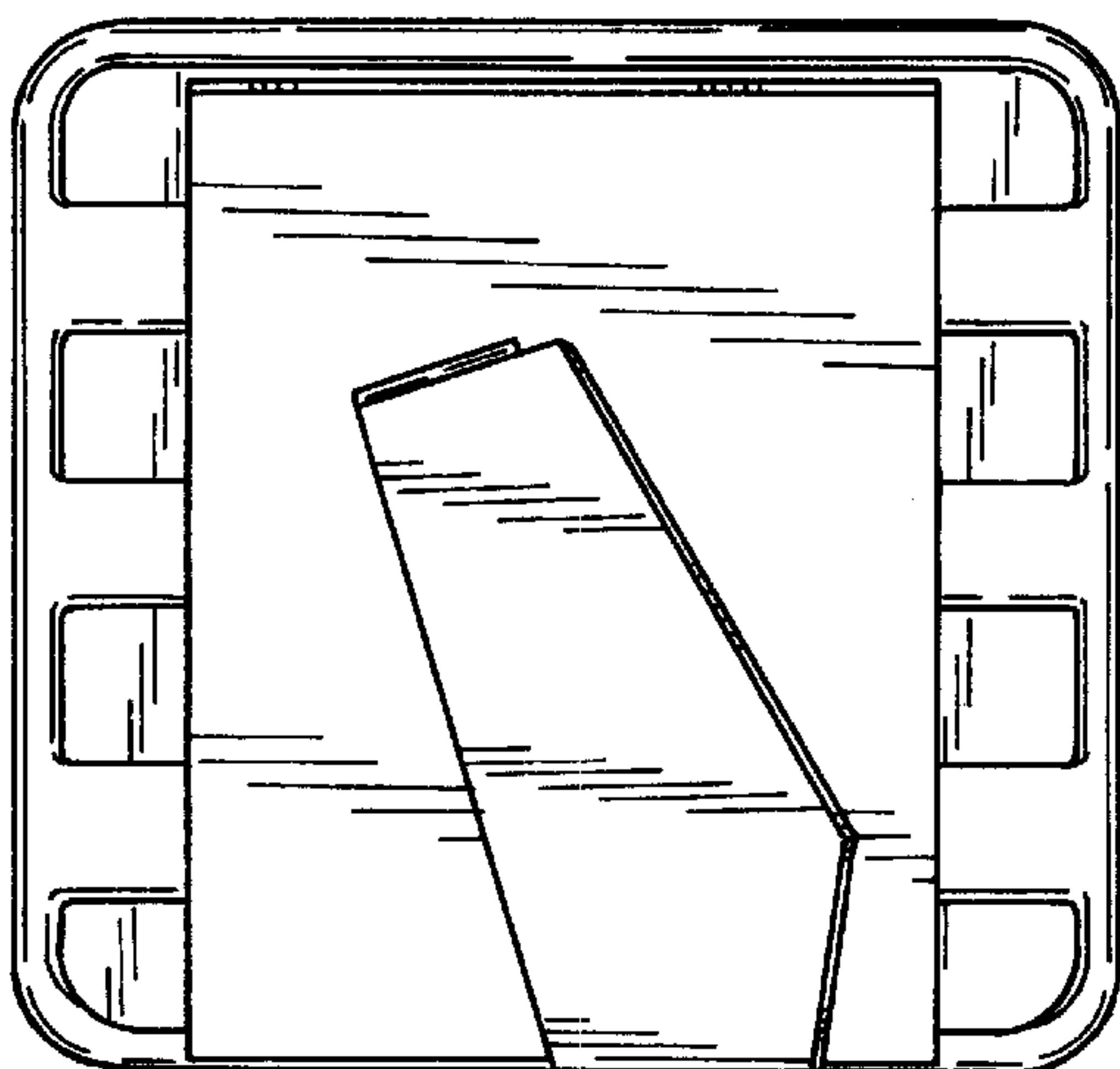


FIG. 6

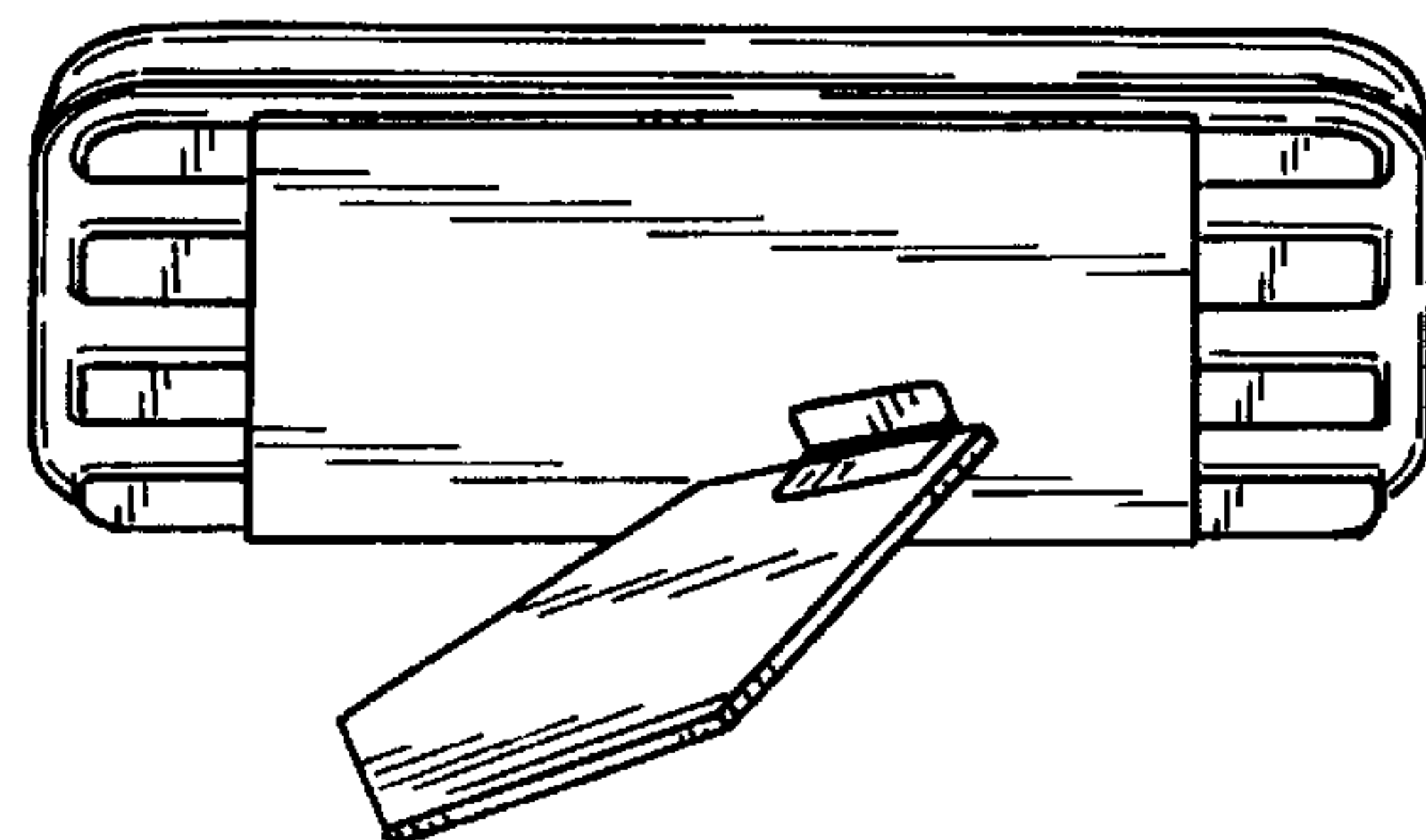


FIG. 7