



US00D410676S

United States Patent [19]

Kurabayashi et al.

[11] Patent Number: **Des. 410,676**

[45] Date of Patent: **** Jun. 8, 1999**

[54] **IMAGE DRUM CARTRIDGE**

[75] Inventors: **Atsushi Kurabayashi; Sinichi Otani; Yoshiharu Momiyama**, all of Tokyo, Japan

[73] Assignee: **Oki Data Corporation**, Tokyo, Japan

[**] Term: **14 Years**

[21] Appl. No.: **29/079,535**

[22] Filed: **Nov. 19, 1997**

[51] **LOC (6) Cl.** **16-03**

[52] **U.S. Cl.** **D18/40**

[58] **Field of Search** D18/36, 40, 43, D18/56; 222/DIG. 1; 399/24, 25, 27, 31, 119, 130, 222, 252, 262

[56] **References Cited**

U.S. PATENT DOCUMENTS

D. 354,980	1/1995	Nakajima et al.	D18/43
D. 374,250	10/1996	Yabuki et al.	D18/43
D. 377,662	1/1997	Ootani et al.	D18/43
4,839,691	6/1989	Tagawa et al.	399/12

Primary Examiner—Caron D. Veynar

Attorney, Agent, or Firm—Ladas & Parry

[57] **CLAIM**

We claim the ornamental design for image drum cartridge, as shown and described.

DESCRIPTION

FIG. 1 is a front view of image drum cartridge showing the new design;

FIG. 2 is a rear view of FIG. 1;

FIG. 3 is a top view of FIG. 1;

FIG. 4 is a bottom view of FIG. 1;

FIG. 5 is a left side view of FIG. 1;

FIG. 6 is a right side view of FIG. 1; and,

FIG. 7 is a perspective view of the image drum cartridge showing the new design.

The present article which is used for a copier or printer is an image forming unit for forming an image in an electrophotographic process. A toner image is formed by driving and charging an OPC drum, a developing roller, etc. while the present article is set in a predetermined position in the body of the copier or printer and supplied with power and high voltage electric source from the body. A concave portion for setting a toner cartridge is formed at the upper part thereof.

1 Claim, 5 Drawing Sheets

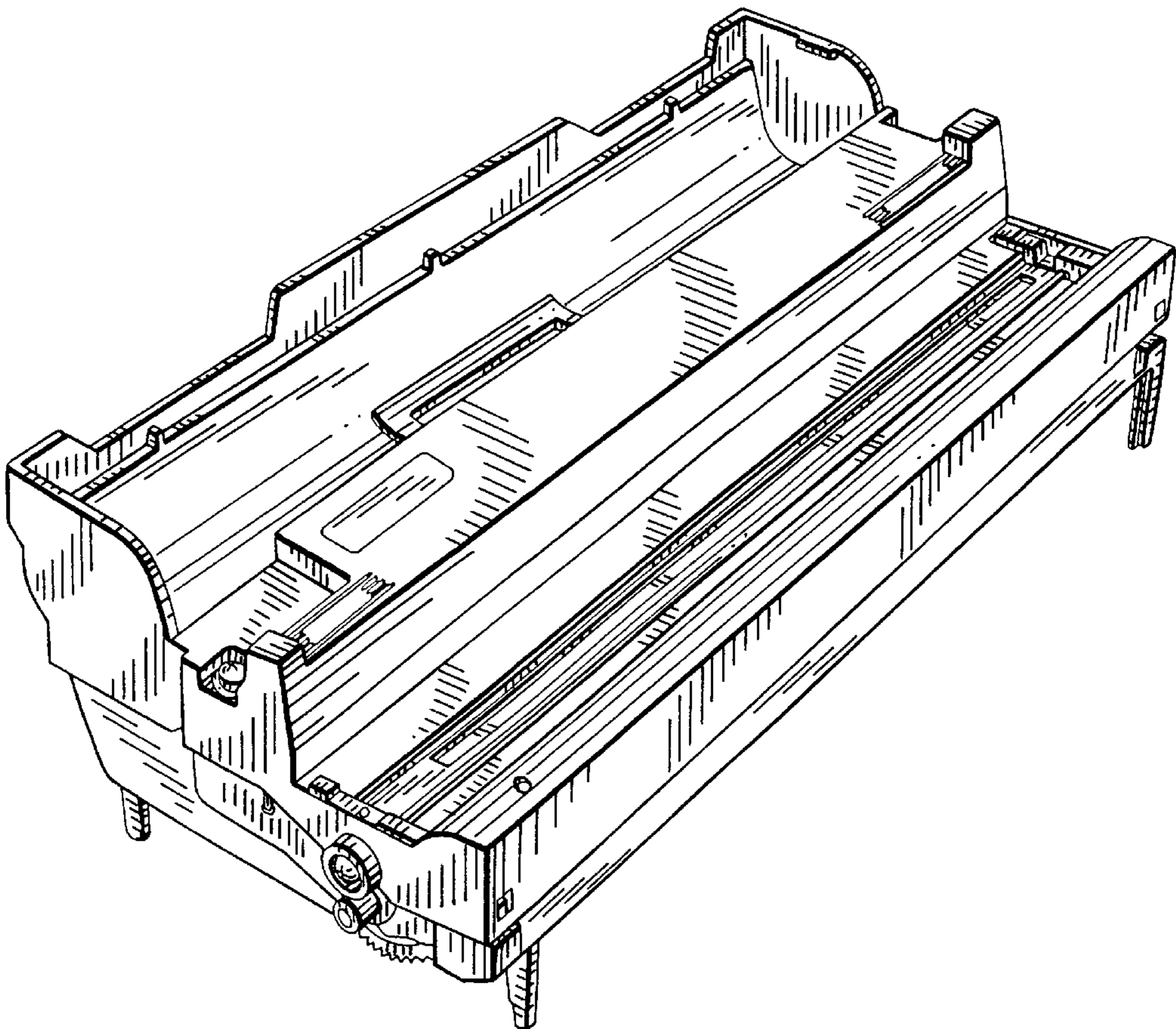


FIG. 1



FIG. 2

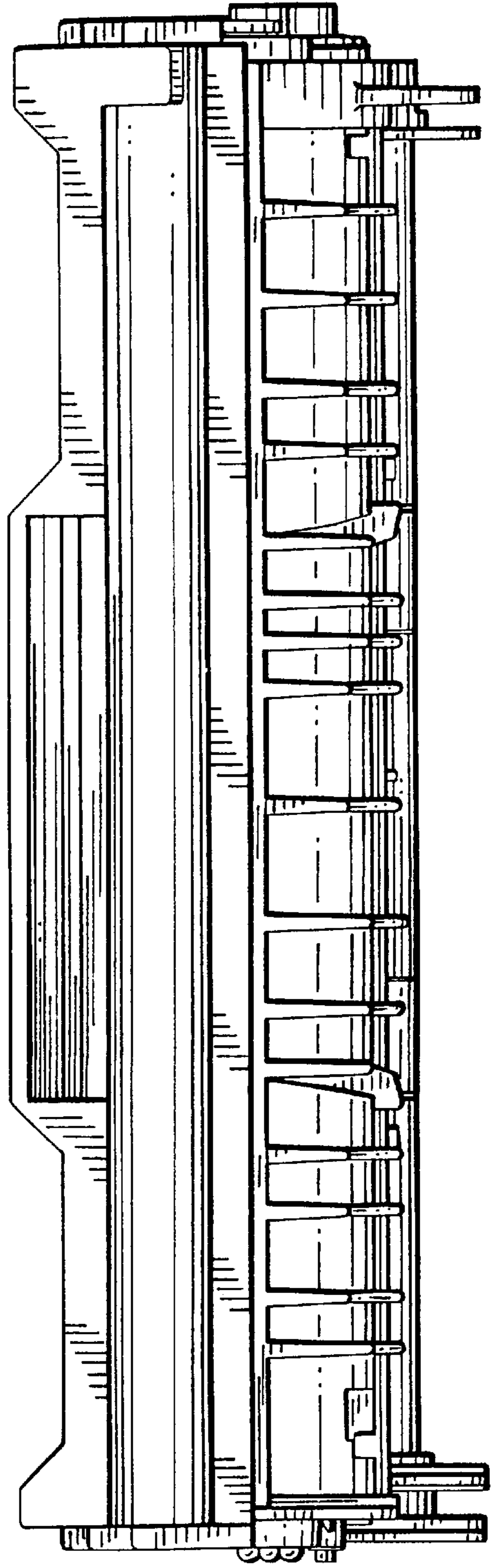


FIG. 3

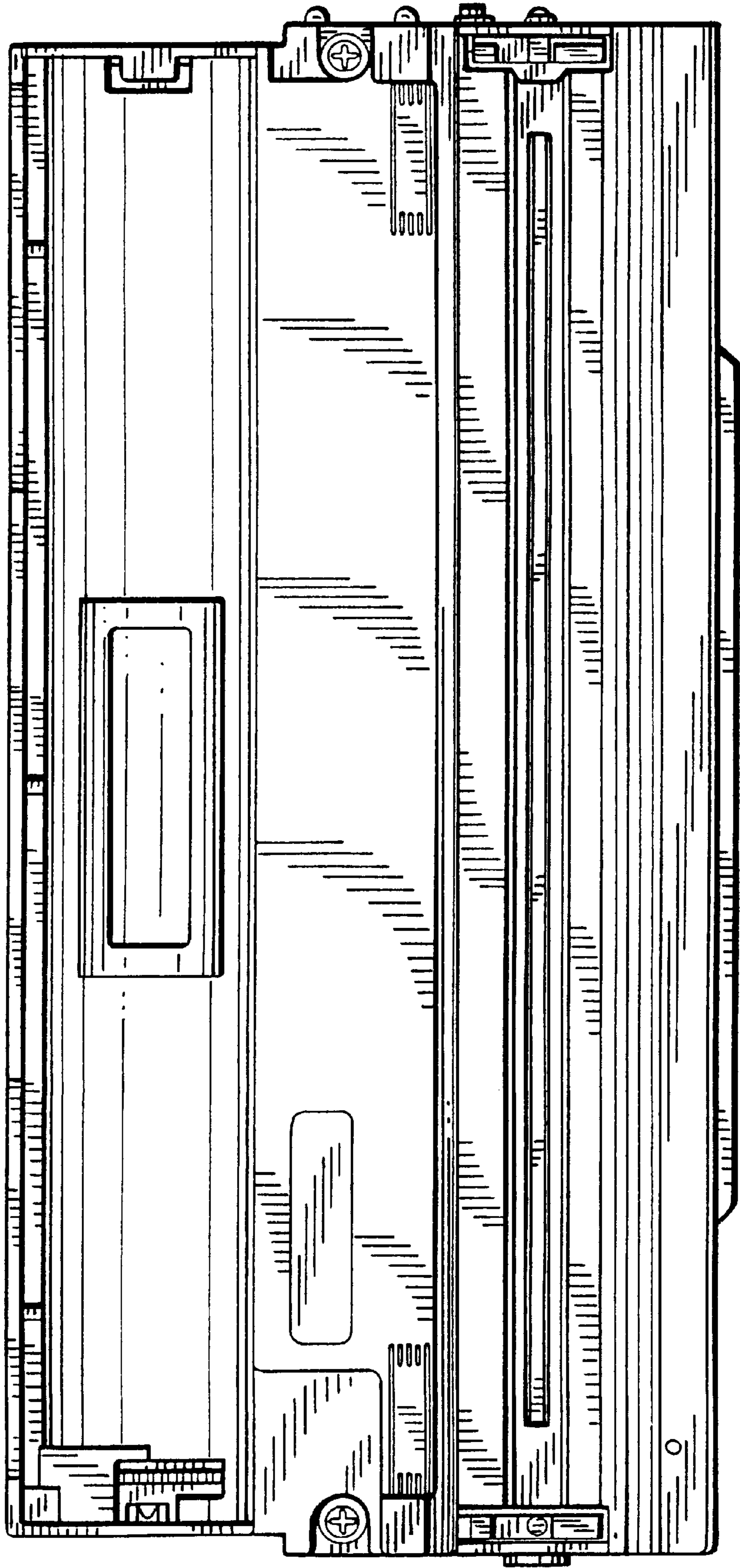
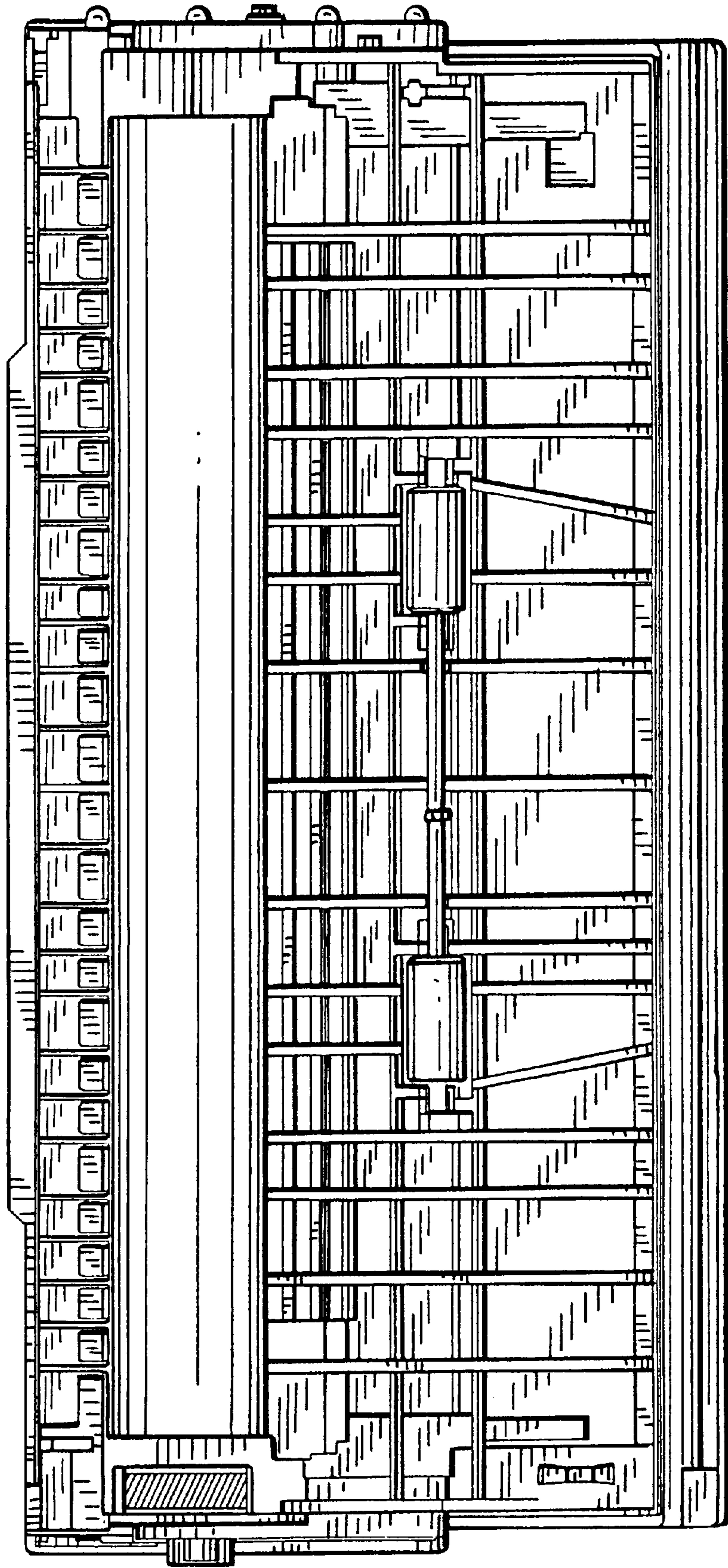
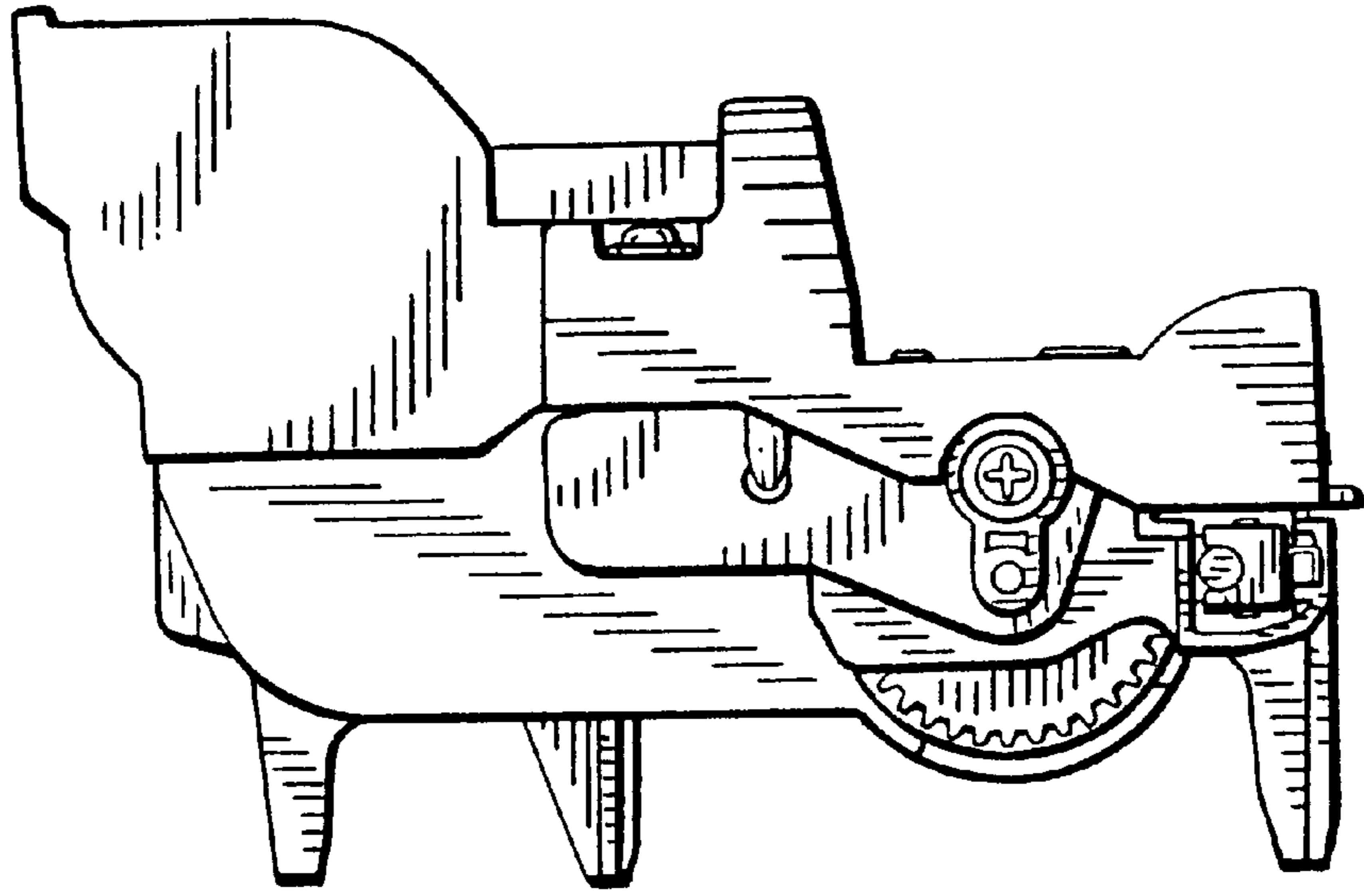


FIG. 4



F I G . 5



F I G . 6

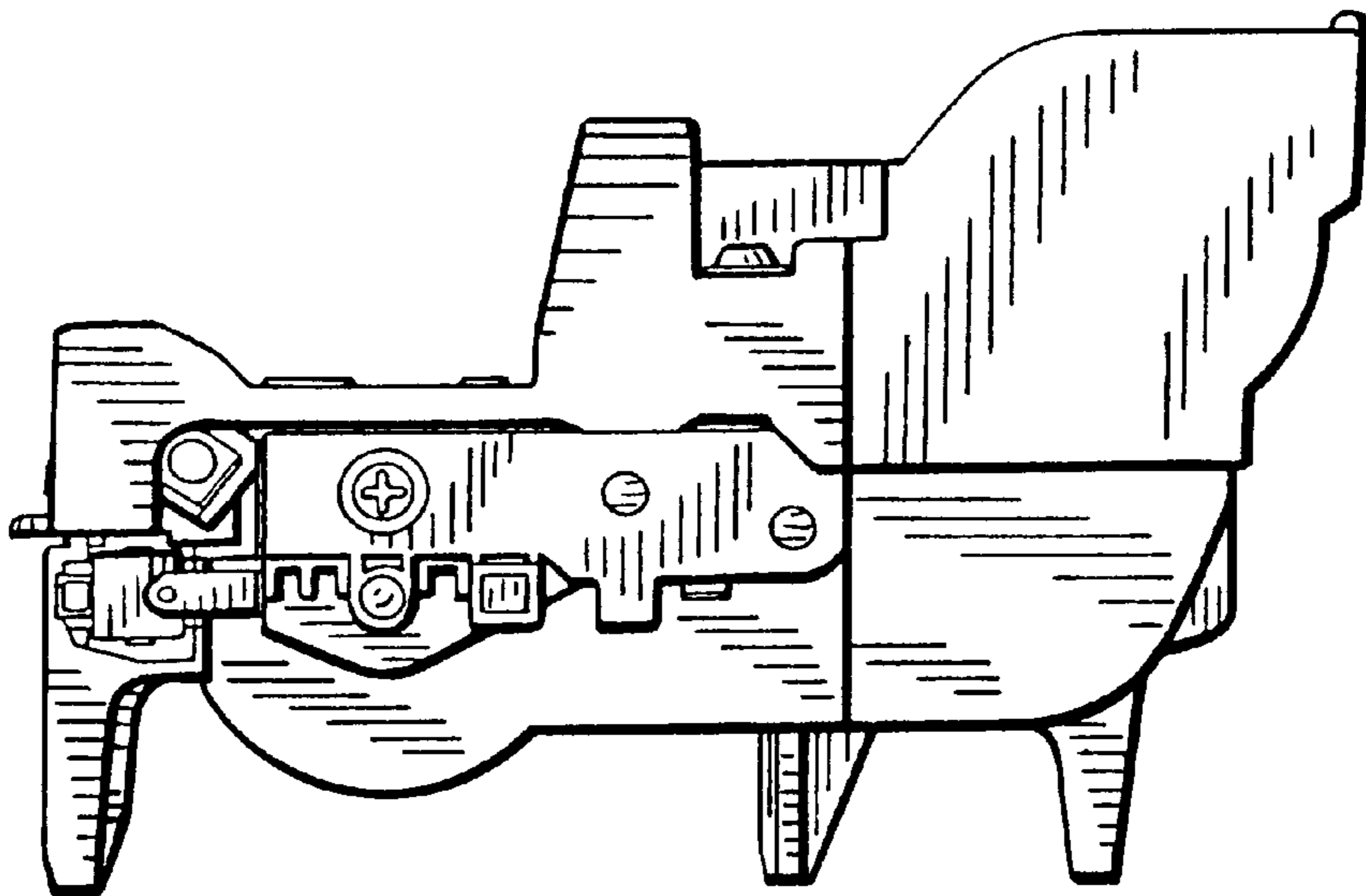


FIG. 7

