



US00D410674S

United States Patent [19]

Tanaka et al.

[11] Patent Number: **Des. 410,674**

[45] Date of Patent: **** Jun. 8, 1999**

[54] **TAPE WRITING DEVICE**

D. 373,785 9/1996 Watanabe et al. D18/19

[75] Inventors: **Hiroaki Tanaka; Kenji Watanabe; Takanobu Kameda; Tomoyuki Shimmura**, all of Tokyo, Japan

OTHER PUBLICATIONS

TEPRA Pro; SR818 Brochure; King Jim Co., Ltd., Jan., 1997; pp. 1-10.

[73] Assignee: **King Jim Co., Ltd.**, Tokyo, Japan

Primary Examiner—Louis S. Zarfes
Assistant Examiner—G. Albert Andoll
Attorney, Agent, or Firm—Frishauf, Holtz, Goodman, Langer & Chick

[**] Term: **14 Years**

[21] Appl. No.: **29/068,978**

[57] CLAIM

[22] Filed: **Apr. 22, 1997**

The ornamental design for a tape writing device, as shown.

[30] Foreign Application Priority Data

DESCRIPTION

Dec. 27, 1996 [JP] Japan 8-39289

[51] **LOC (6) Cl.** **18-99**

FIG. 1 is a front view of a tape writing device showing our new design;

[52] **U.S. Cl.** **D18/19**

FIG. 2 is a top plan view thereof;

[58] **Field of Search** D18/1, 19, 50,

FIG. 3 is a right side elevational view thereof;

D18/52, 55; 400/690.1-690.4, 613.1-613.4,

FIG. 4 is a bottom plan view thereof;

690-694; 347/222, 245, 263; 101/93.4,

FIG. 5 is a left side elevational view thereof;

269, 91

FIG. 6 is a rear view thereof;

[56] References Cited

FIG. 7 is a top, front and left side perspective view thereof; and,

U.S. PATENT DOCUMENTS

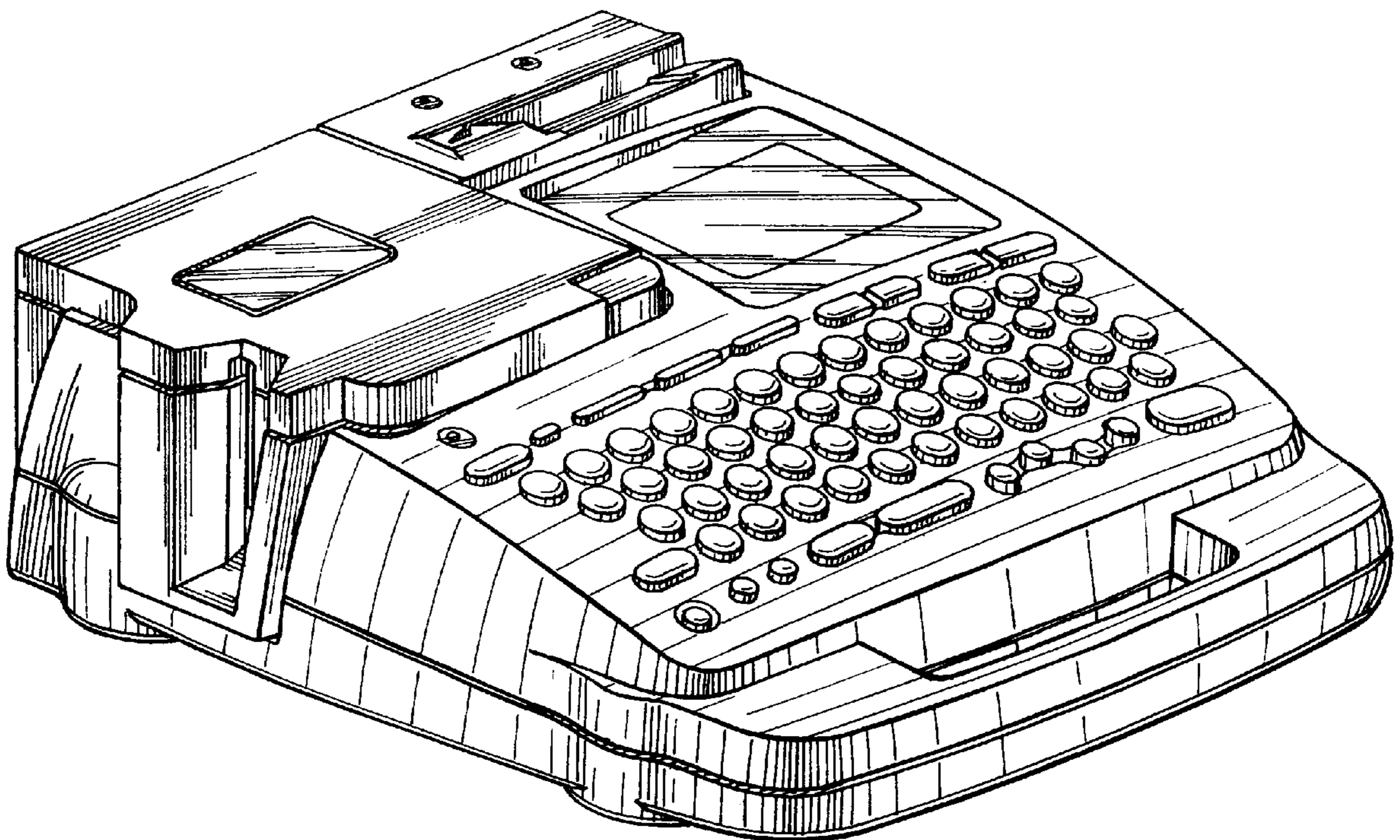
FIG. 8 is a bottom, rear and left side perspective view thereof.

D. 344,752 3/1994 Watanabe et al. D18/52

D. 344,753 3/1994 Watanabe et al. D18/52

D. 363,082 10/1995 Watanabe et al. D18/19

1 Claim, 4 Drawing Sheets



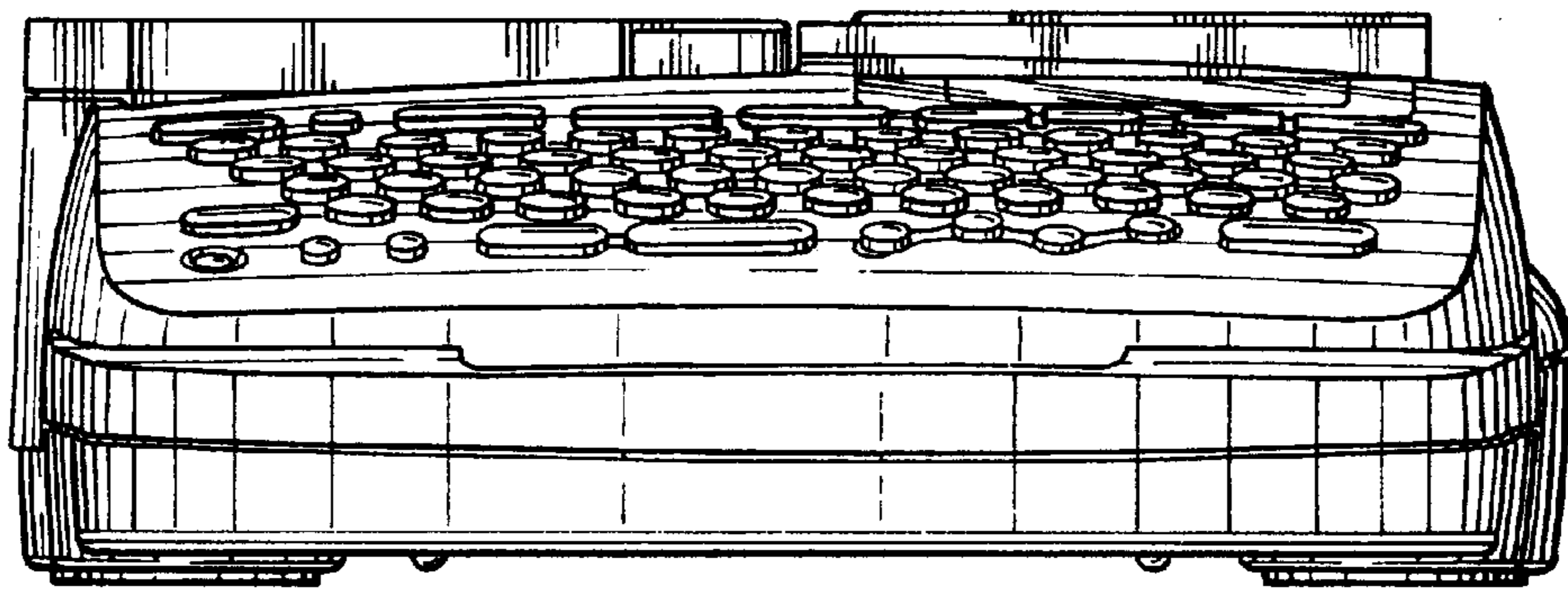


Fig. 1

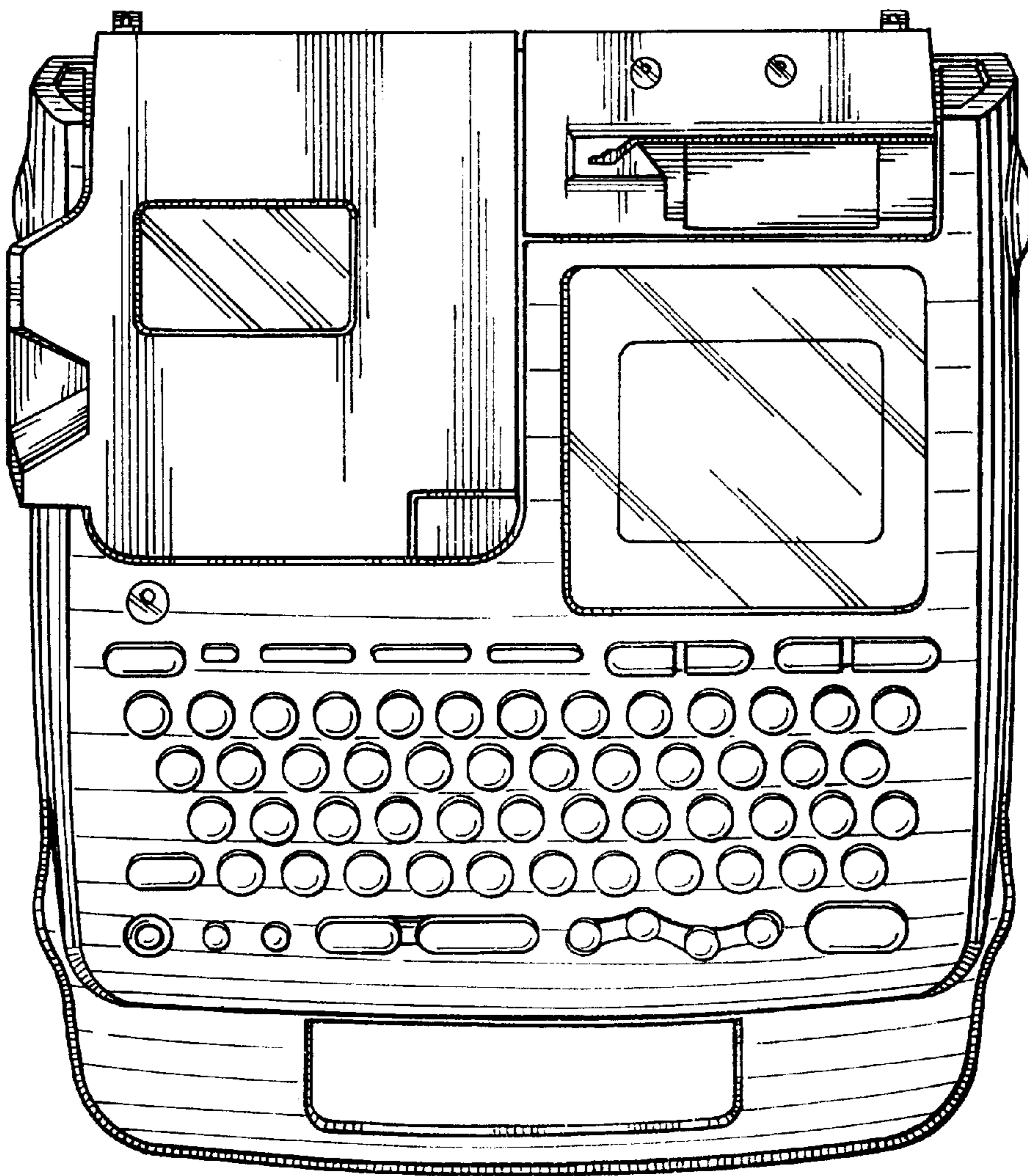


Fig. 2

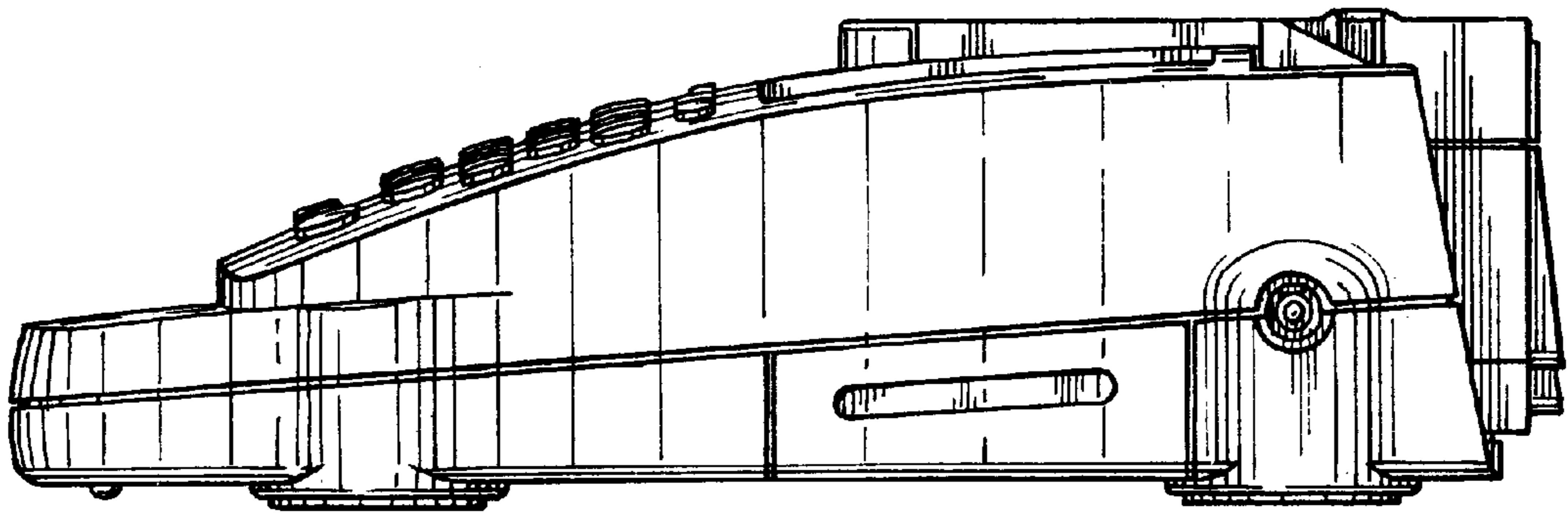


Fig. 3

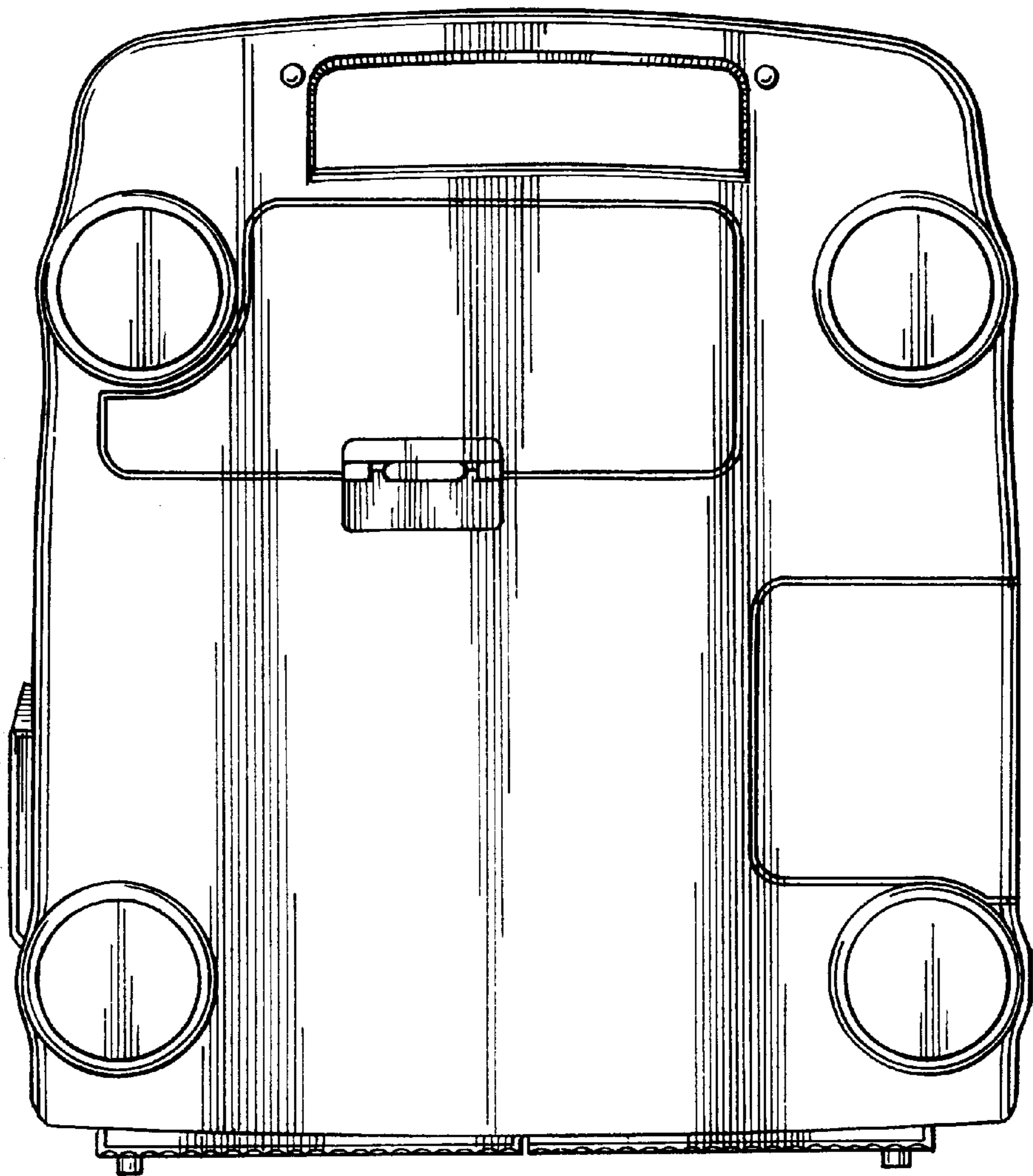


Fig. 4

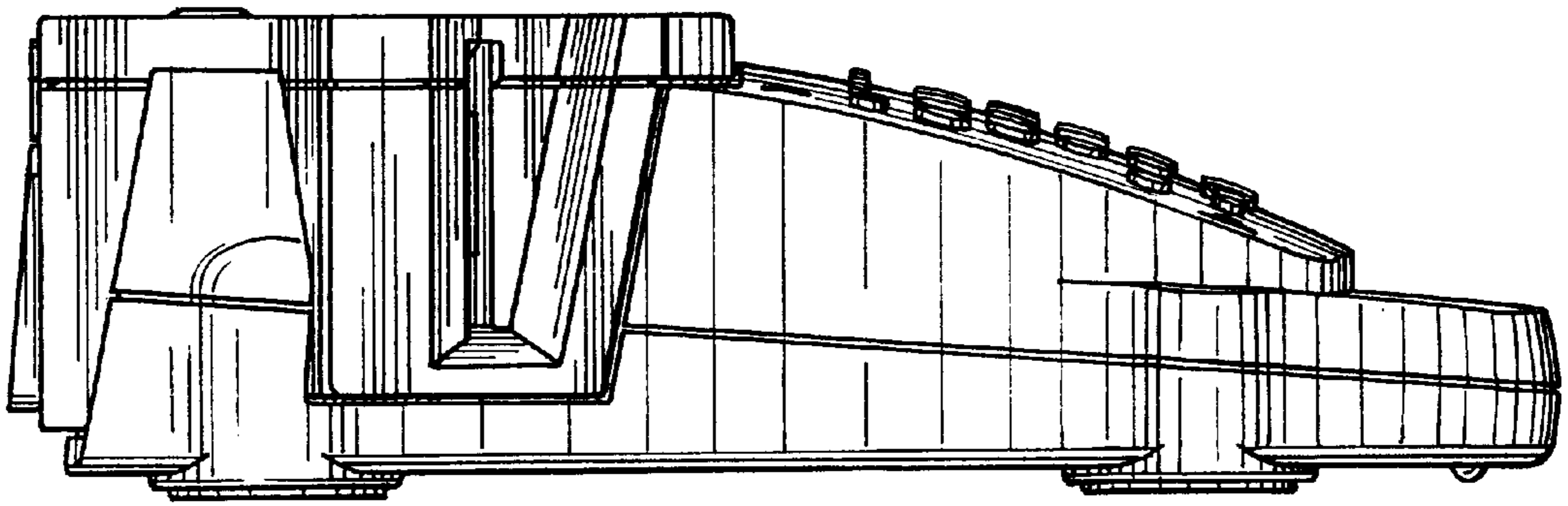


Fig. 5

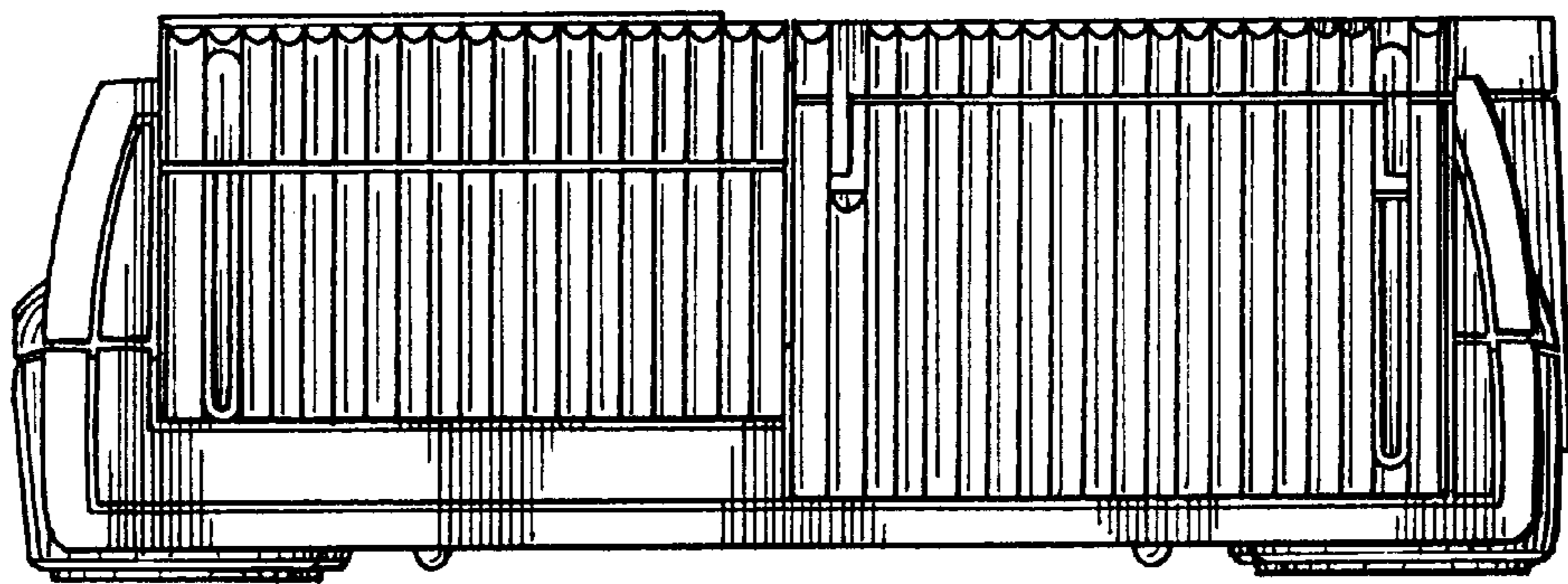


Fig. 6

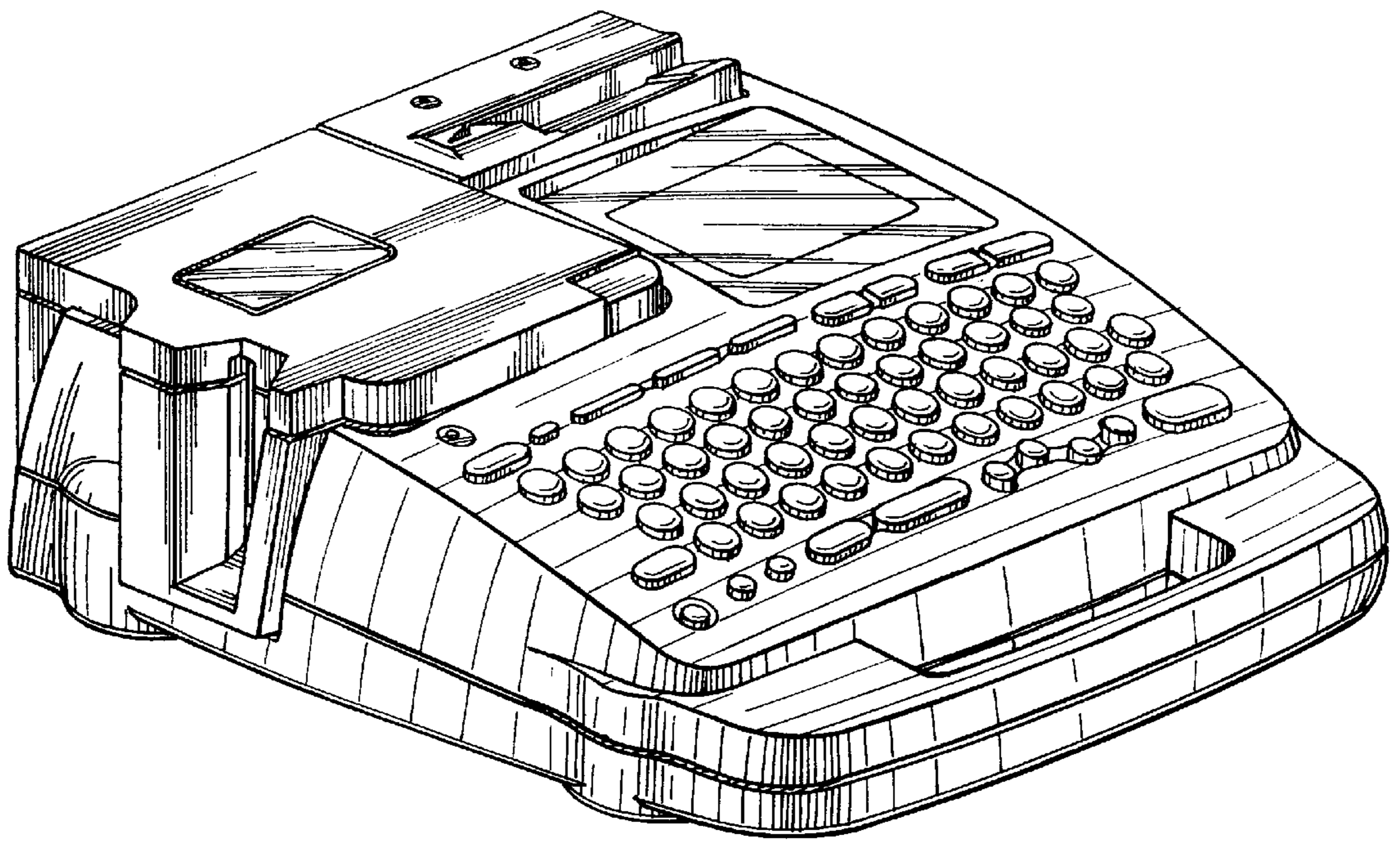


Fig. 7

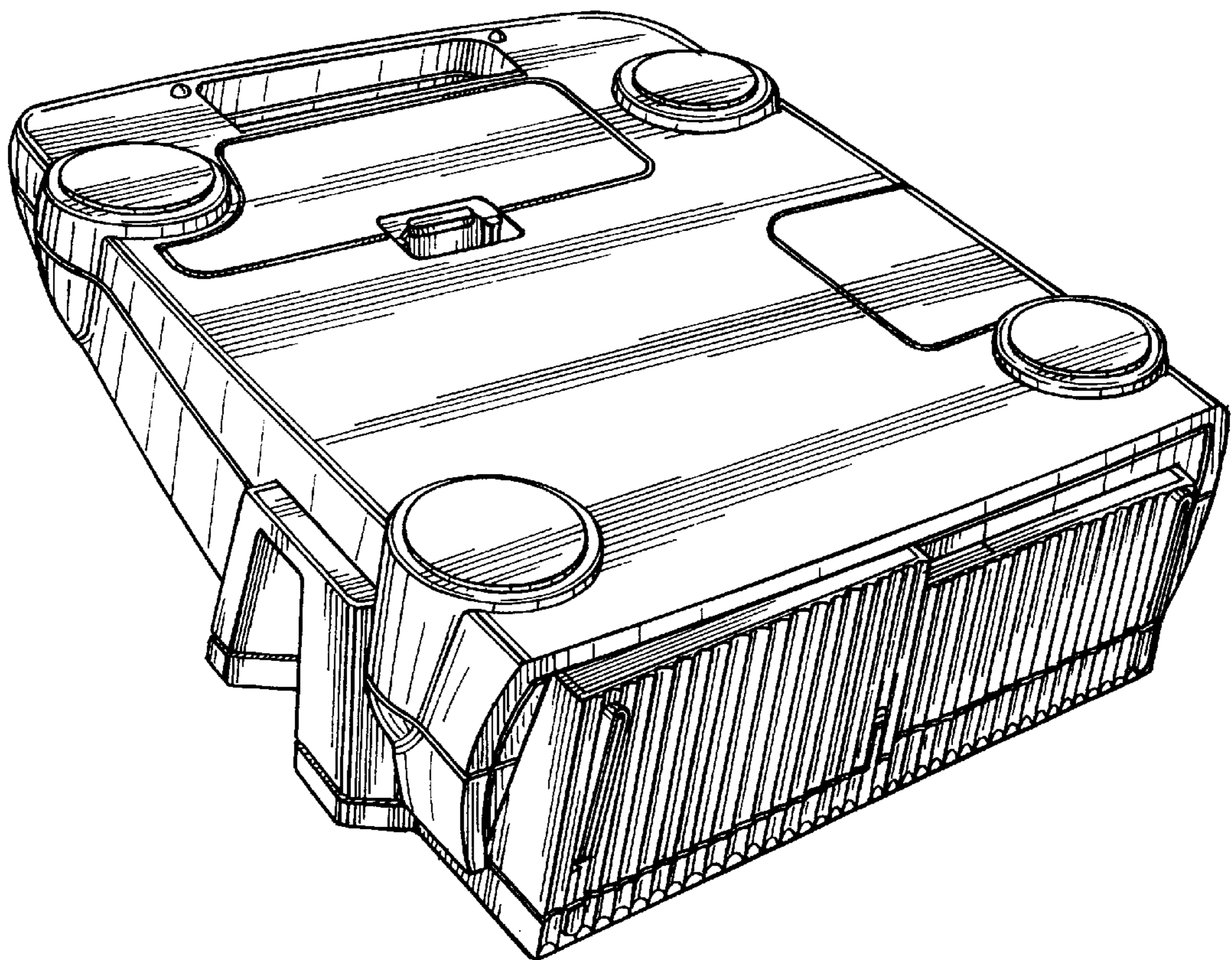


Fig. 8