



US00D410671S

United States Patent [19]

Aleksa

[11] Patent Number: **Des. 410,671**

[45] Date of Patent: **** Jun. 8, 1999**

[54] **TEACHING DEVICE FOR GUITAR PLAYERS**

[75] Inventor: **Michael M. Aleksa**, 2805 Abbey Ln.,
Richmond, Va. 23233

[73] Assignee: **Michael M. Aleksa**, Richmond, Va.

[**] Term: **14 Years**

[21] Appl. No.: **29/063,724**

[22] Filed: **Dec. 13, 1996**

[51] **LOC (6) Cl.** **17-99**

[52] **U.S. Cl.** **D17/99; D17/20**

[58] **Field of Search** D17/14, 17, 18,
D17/19, 20, 99; D21/64; 84/267, 291, 465,
470 R, 485 R, 293

[56] **References Cited**

U.S. PATENT DOCUMENTS

145,241	12/1873	Reed	84/292
D. 239,309	3/1976	Bontempi	D21/405
D. 375,901	11/1996	Wong	D17/19
1,788,313	1/1931	Mann	84/267

3,018,680	1/1962	Pau	D17/19
3,124,991	3/1964	Costen	84/267
3,943,816	3/1976	Goursau	84/293
4,172,405	10/1979	Kaman, II	84/293
4,286,495	9/1981	Roof	84/485 R

Primary Examiner—Adir Aronovich

[57] **CLAIM**

The ornamental design for a teaching device for guitar players, as shown and described.

DESCRIPTION

FIG. 1 is a left side elevation view of a teaching device for guitar players showing my new design, the undisclosed right side is a mirror image thereof;

FIG. 2 is a bottom plan view thereof;

FIG. 3 is a cross sectional view taken along line 3—3 in FIG. 2; and,

FIG. 4 is a cross sectional view taken along line 4—4 in FIG. 2.

The broken lines shown are for illustrative purposes only and form no part of the claimed design.

1 Claim, 3 Drawing Sheets

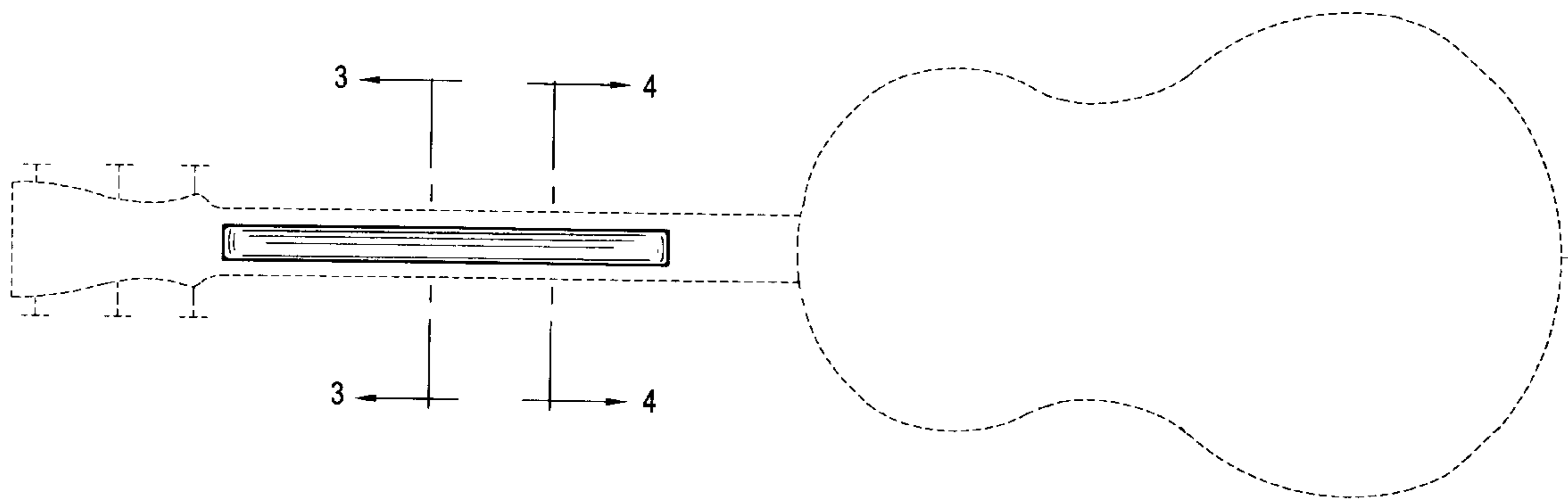


FIG. 1

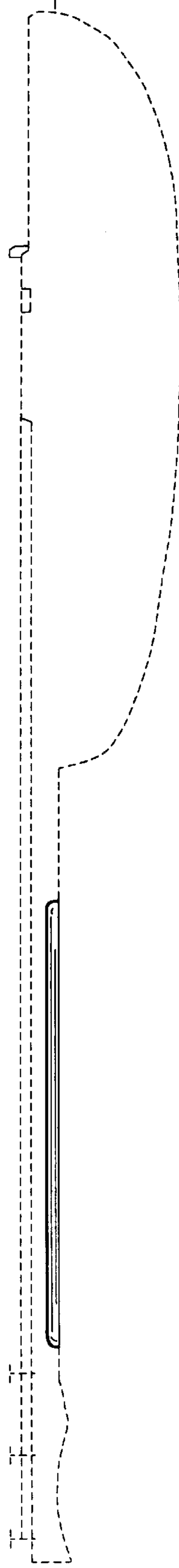


FIG. 2

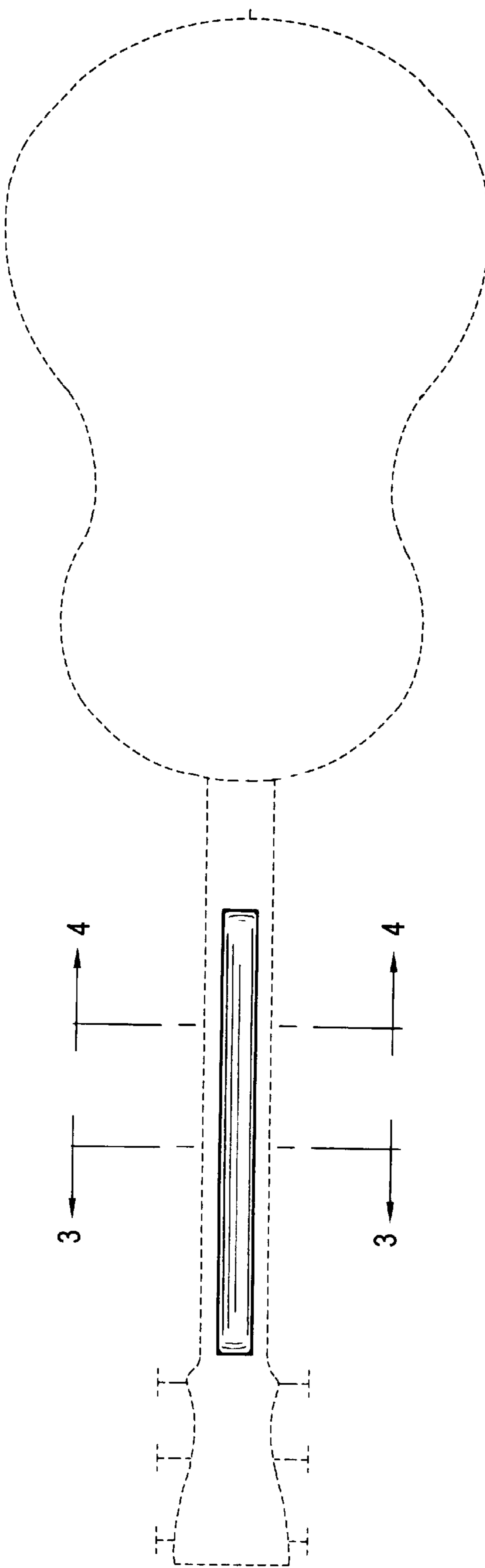


FIG. 3

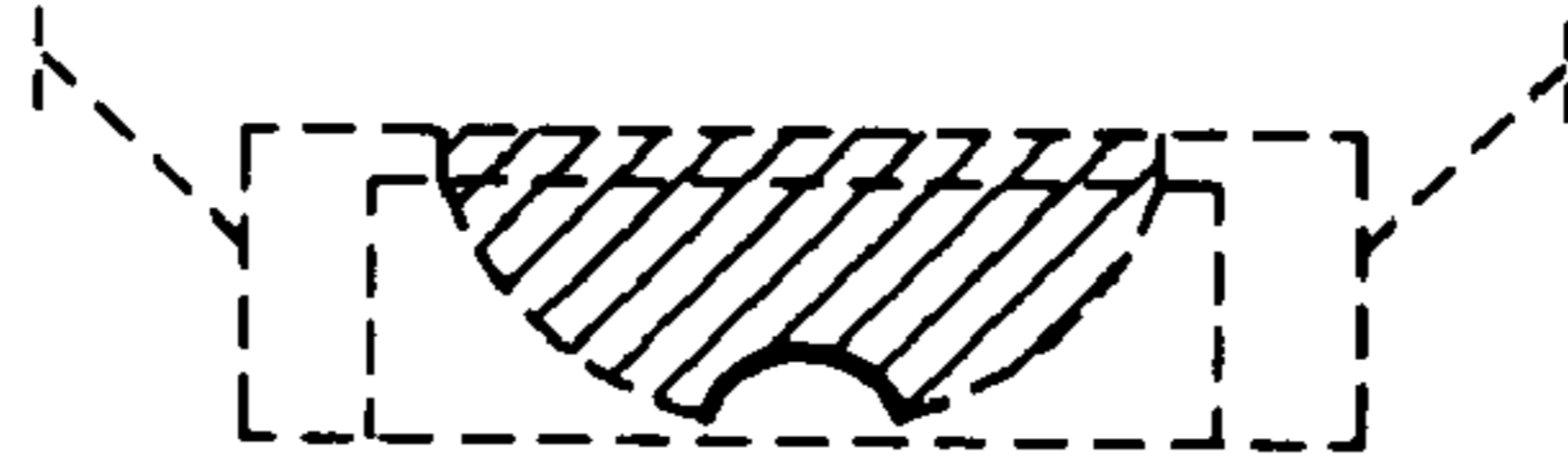


FIG. 4

