



US00D410664S

**United States Patent** [19]  
**Hibino**

[11] **Patent Number: Des. 410,664**  
[45] **Date of Patent: \*\* Jun. 8, 1999**

[54] **ELECTRONIC CAMERA WITH A SCREEN**

D. 398,018 9/1998 Lee ..... D16/202

[75] Inventor: **Takuro Hibino**, Tokyo, Japan

*Primary Examiner*—Adir Aronovich  
*Attorney, Agent, or Firm*—Foley & Lardner

[73] Assignee: **Sony Corporation**, Tokyo, Japan

[57] **CLAIM**

[\*\*] Term: **14 Years**

The ornamental design for an electronic camera with a screen, as shown and described.

[21] Appl. No.: **29/082,654**

**DESCRIPTION**

[22] Filed: **Jan. 29, 1998**

[51] **LOC (6) Cl.** ..... **16-01**

[52] **U.S. Cl.** ..... **D16/202**

[58] **Field of Search** ..... D16/200–208,  
D16/216–218; 348/373–376; 358/906–909.1;  
396/535–543

FIG. 1 is a perspective view of an electronic camera with a screen showing my new design;  
FIG. 2 is a top plan view thereof;  
FIG. 3 is a left side elevational view thereof, a right side elevational view thereof being a mirror image;  
FIG. 4 is a front elevational view thereof;  
FIG. 5 is a bottom plan view thereof;  
FIG. 6 is a rear elevational view thereof; and,  
FIG. 7 is a rear elevational view of the second embodiment of an electronic camera with a screen, the rest of undisclosed views are the same as those shown in the first embodiment.

[56] **References Cited**

**U.S. PATENT DOCUMENTS**

- D. 354,300 1/1995 Ina et al. .... D16/202
- D. 356,326 3/1995 Miyashita ..... D16/202
- D. 369,819 5/1996 Mori ..... D16/202

**1 Claim, 3 Drawing Sheets**

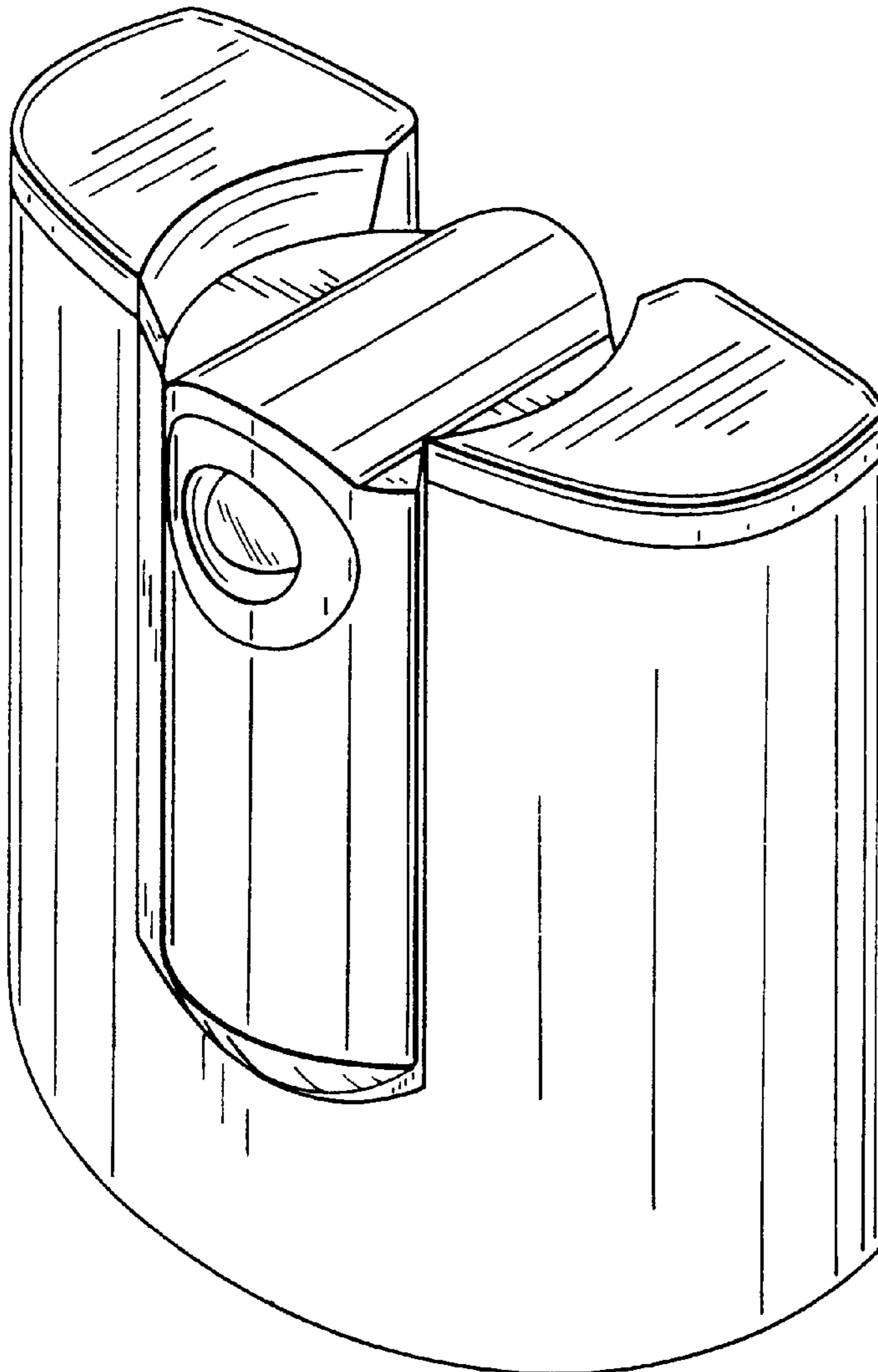
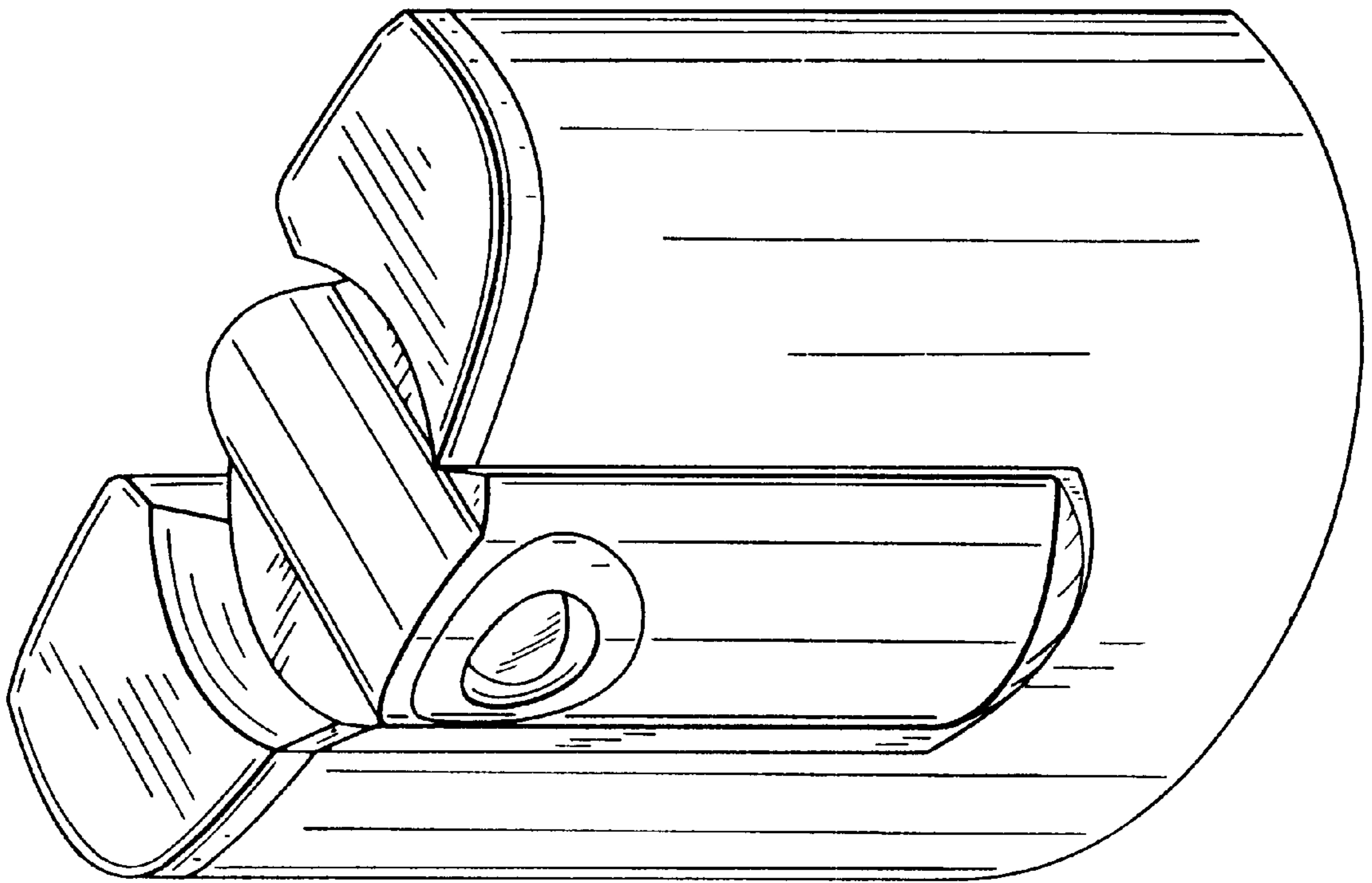


FIG. 1



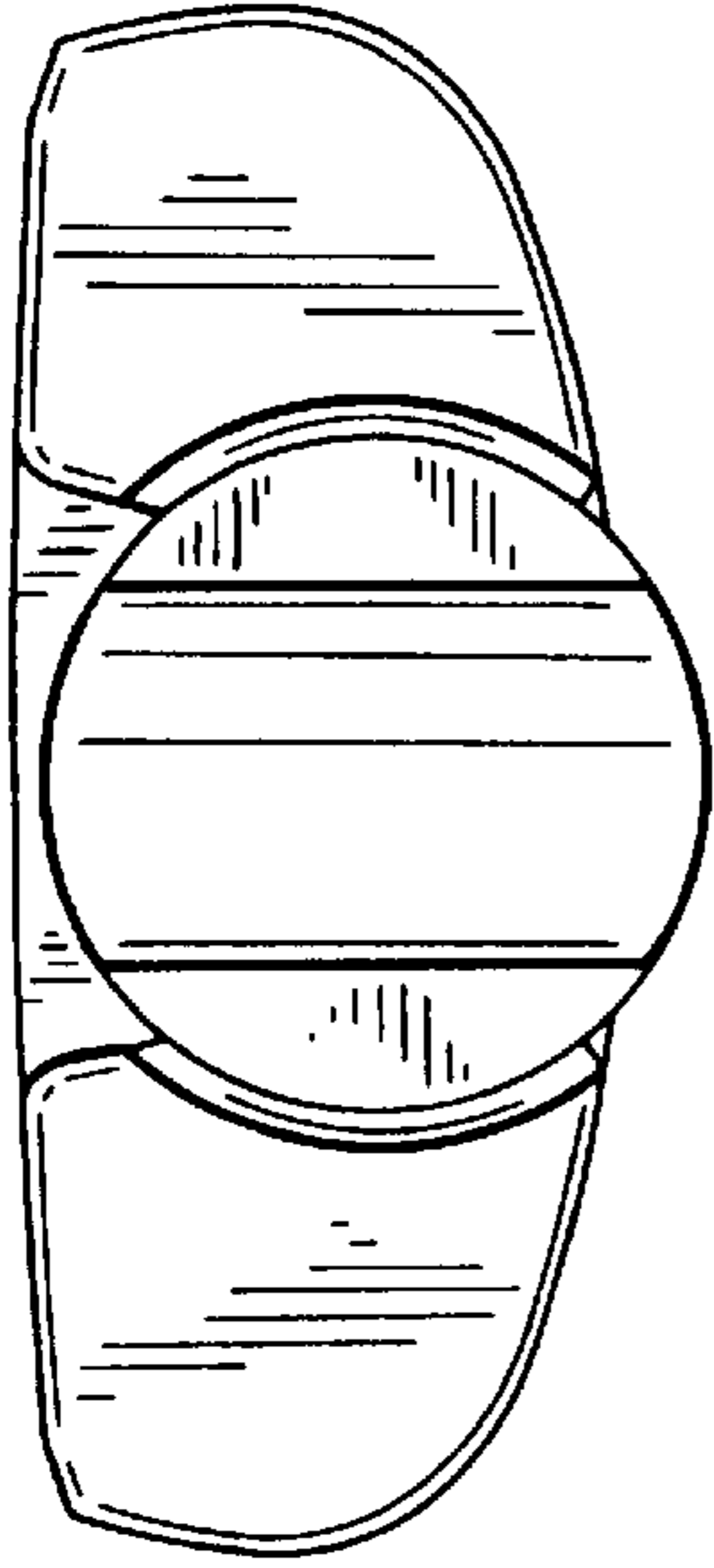


FIG. 2

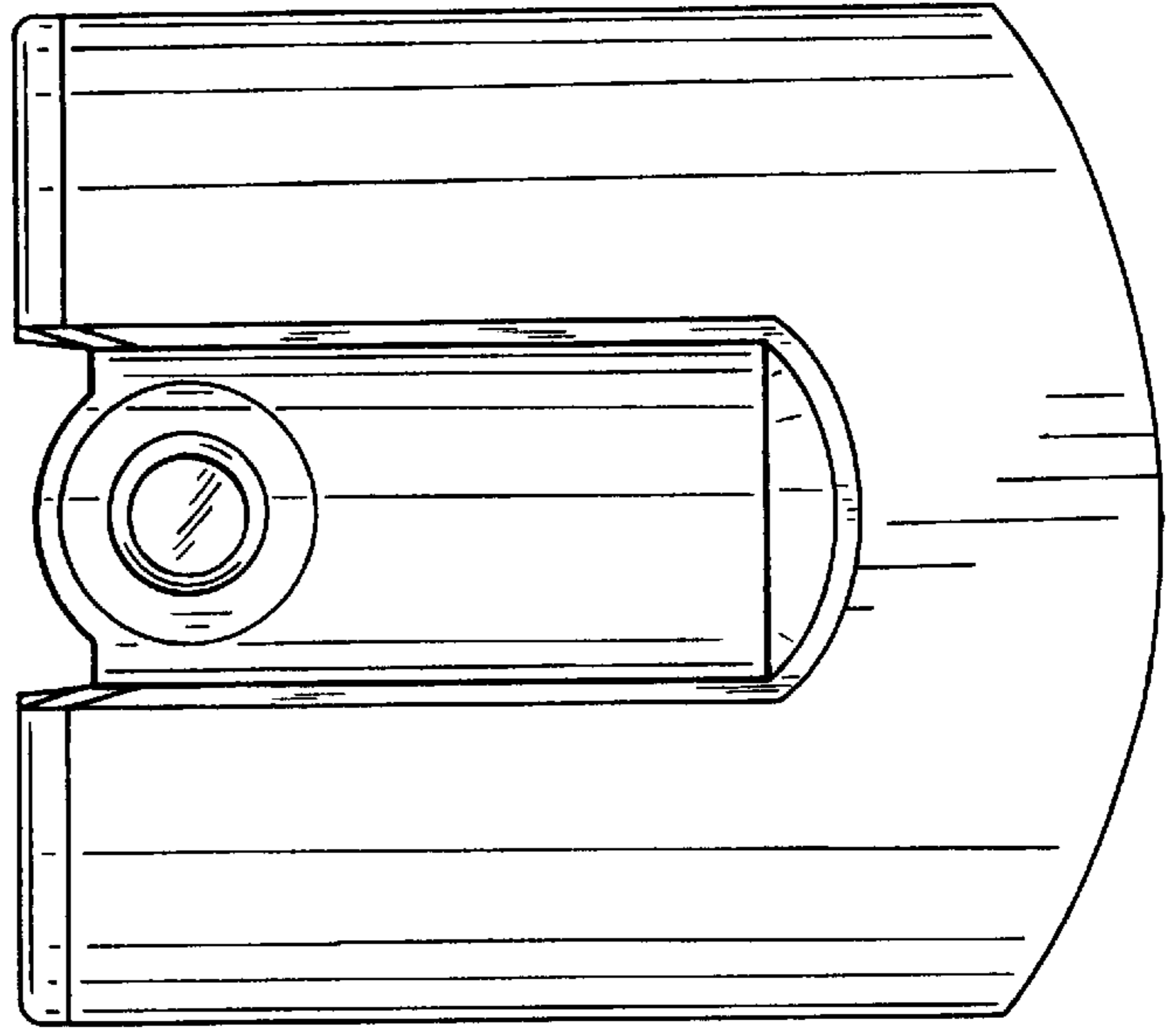


FIG. 4

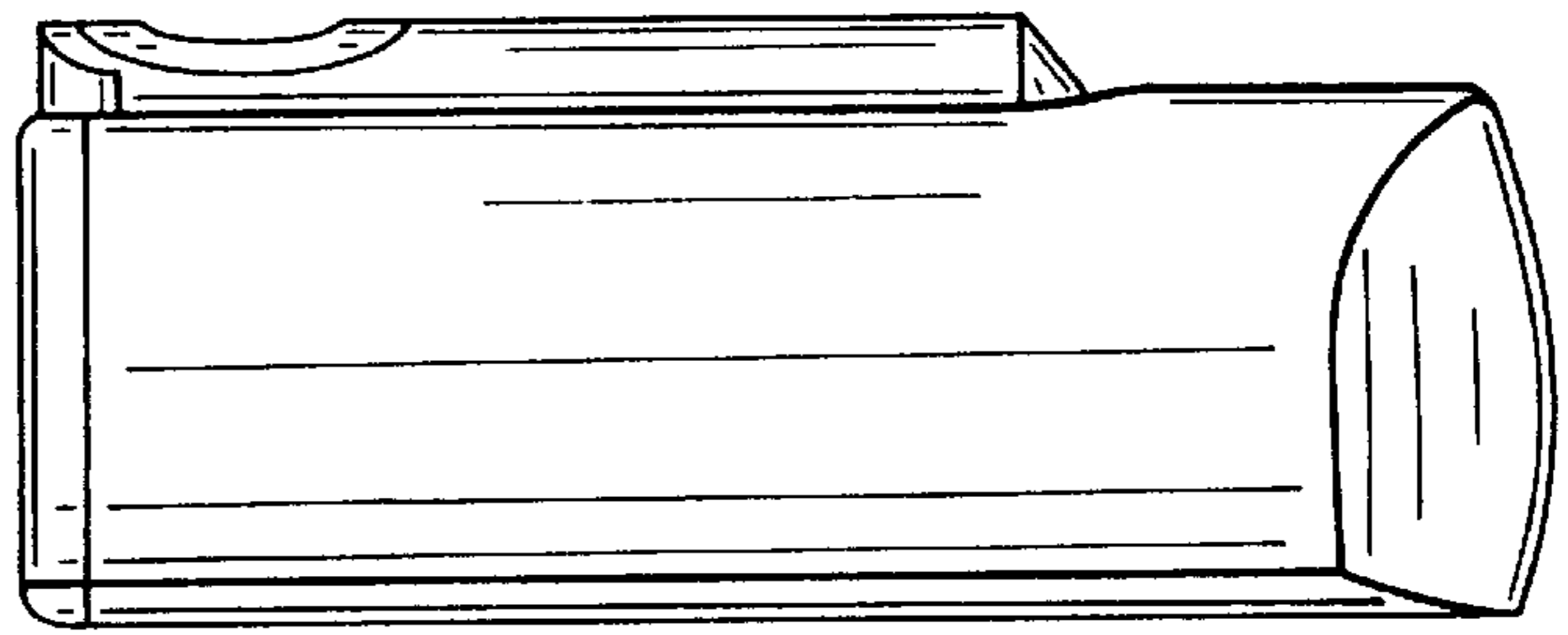


FIG. 3

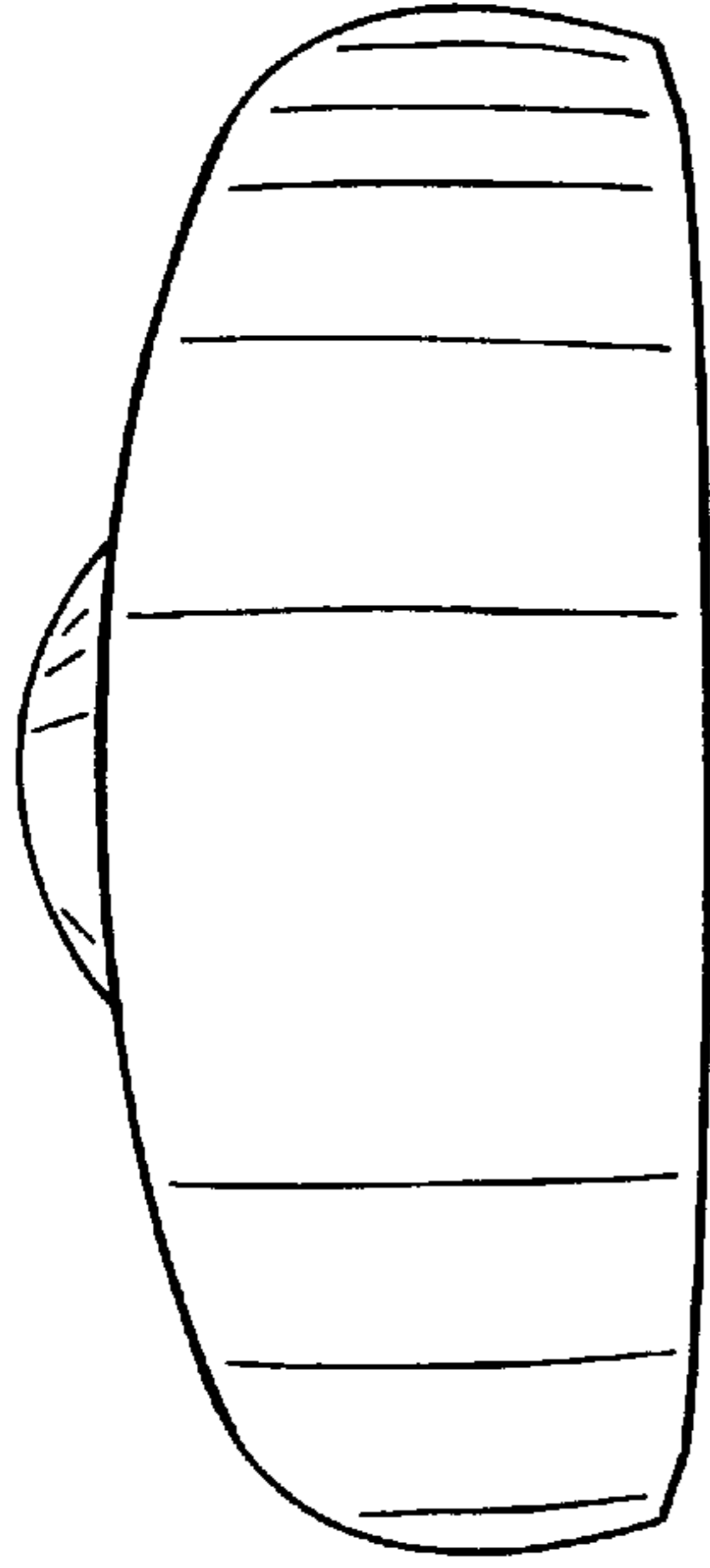


FIG. 5

FIG. 7

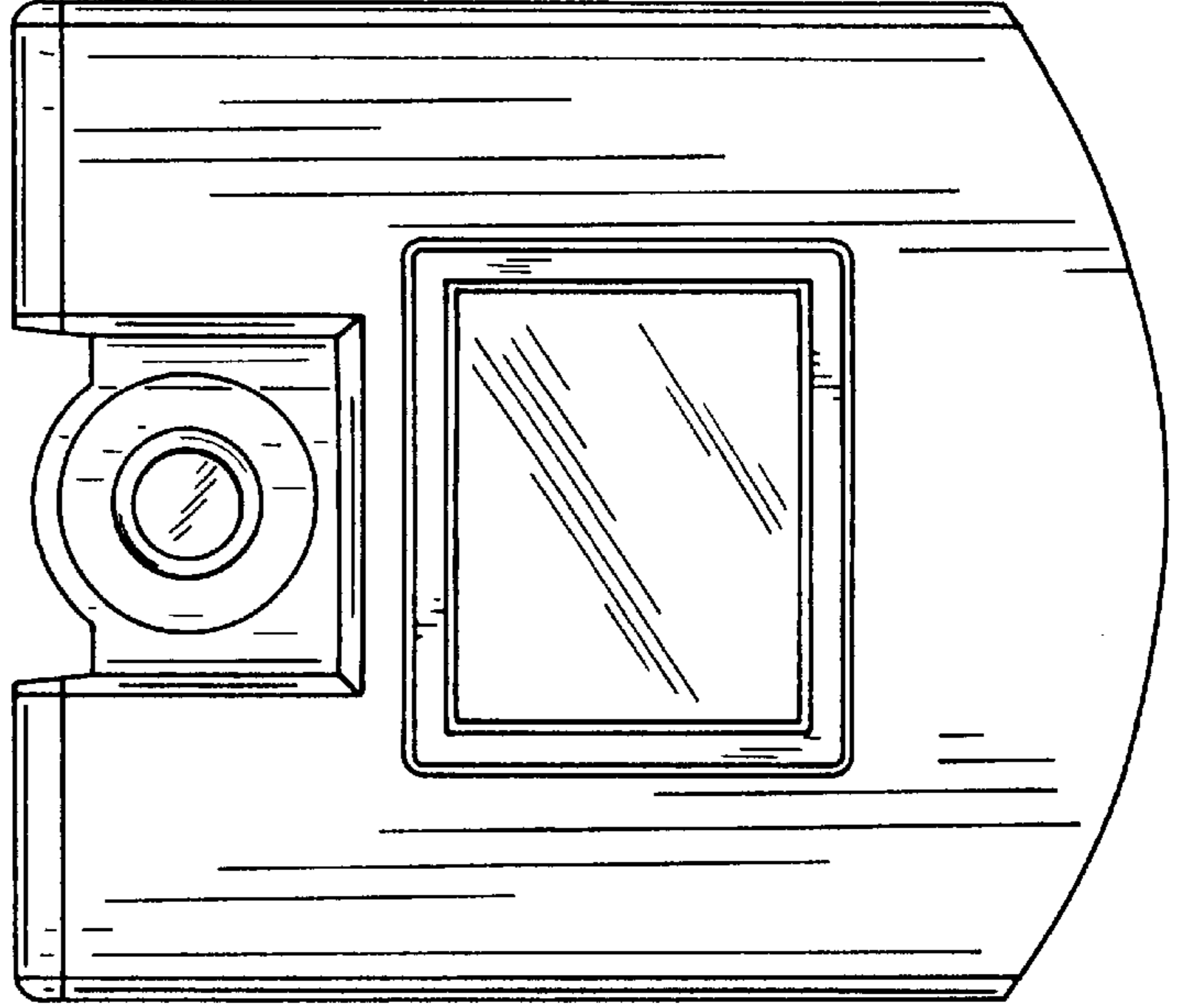


FIG. 6

