



US00D410663S

United States Patent [19] Ogasawara

[11] **Patent Number: Des. 410,663**
[45] **Date of Patent: ** Jun. 8, 1999**

[54] **ELECTRONIC CAMERA**

[75] Inventor: **Shinichi Ogasawara**, Tokyo, Japan

[73] Assignee: **Sony Corporation**, Tokyo, Japan

[**] Term: **14 Years**

[21] Appl. No.: **29/079,665**

[22] Filed: **Nov. 20, 1997**

[30] **Foreign Application Priority Data**

May 21, 1997 [JP] Japan 9-55007

[51] **LOC (6) Cl.** **16-01**

[52] **U.S. Cl.** **D16/202**

[58] **Field of Search** D16/200-208,
D16/216-218; 348/373-376; 352/242, 243;
358/906, 909.1; 396/535-543

[56] **References Cited**

U.S. PATENT DOCUMENTS

D. 371,377	7/1996	Miyahara	D16/202
D. 387,078	12/1997	Akita	D16/202
D. 389,501	1/1998	Mascarenas, Sr. et al.	D16/202
D. 392,659	3/1998	Takano	D16/202
4,873,576	10/1989	Hattori et al.	348/373

FOREIGN PATENT DOCUMENTS

3-208078 9/1991 Japan 396/535

OTHER PUBLICATIONS

Sharp Catalog, Oct., 1997.

Product Catalog Cyber Gear(Panasonic Home Pages), Nov. 1997.

Primary Examiner—Adir Aronovich

Attorney, Agent, or Firm—Foley & Lardner

[57] **CLAIM**

The ornamental design for an electronic camera, as shown and described.

DESCRIPTION

FIG. 1 is a perspective view of an electronic camera showing my new design;

FIG. 2 is a top plan view thereof;

FIG. 3 is a left side elevational view thereof;

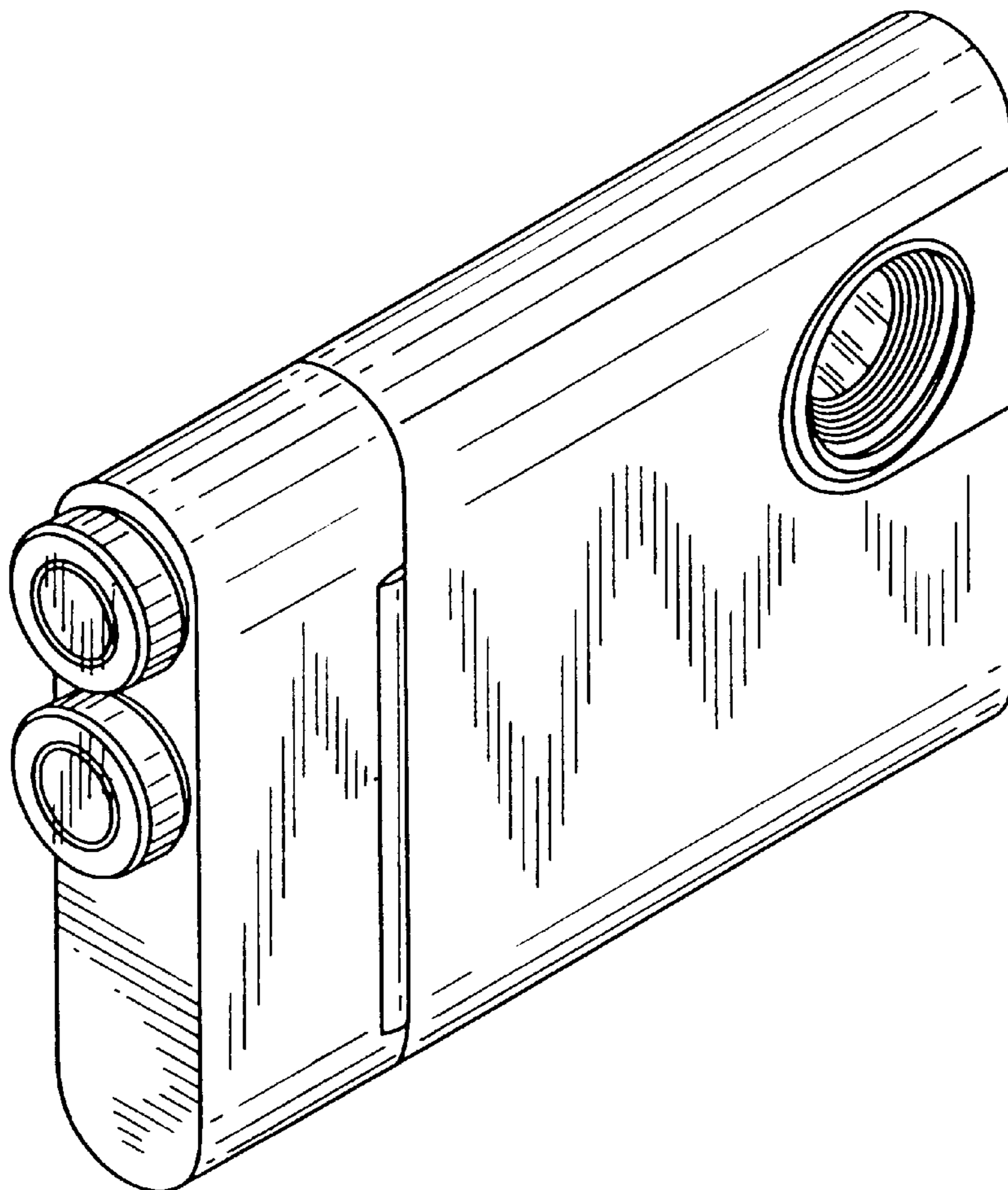
FIG. 4 is a front elevational view thereof;

FIG. 5 is a bottom plan view thereof;

FIG. 6 is a right side elevational view thereof; and,

FIG. 7 is a rear elevational view thereof.

1 Claim, 3 Drawing Sheets



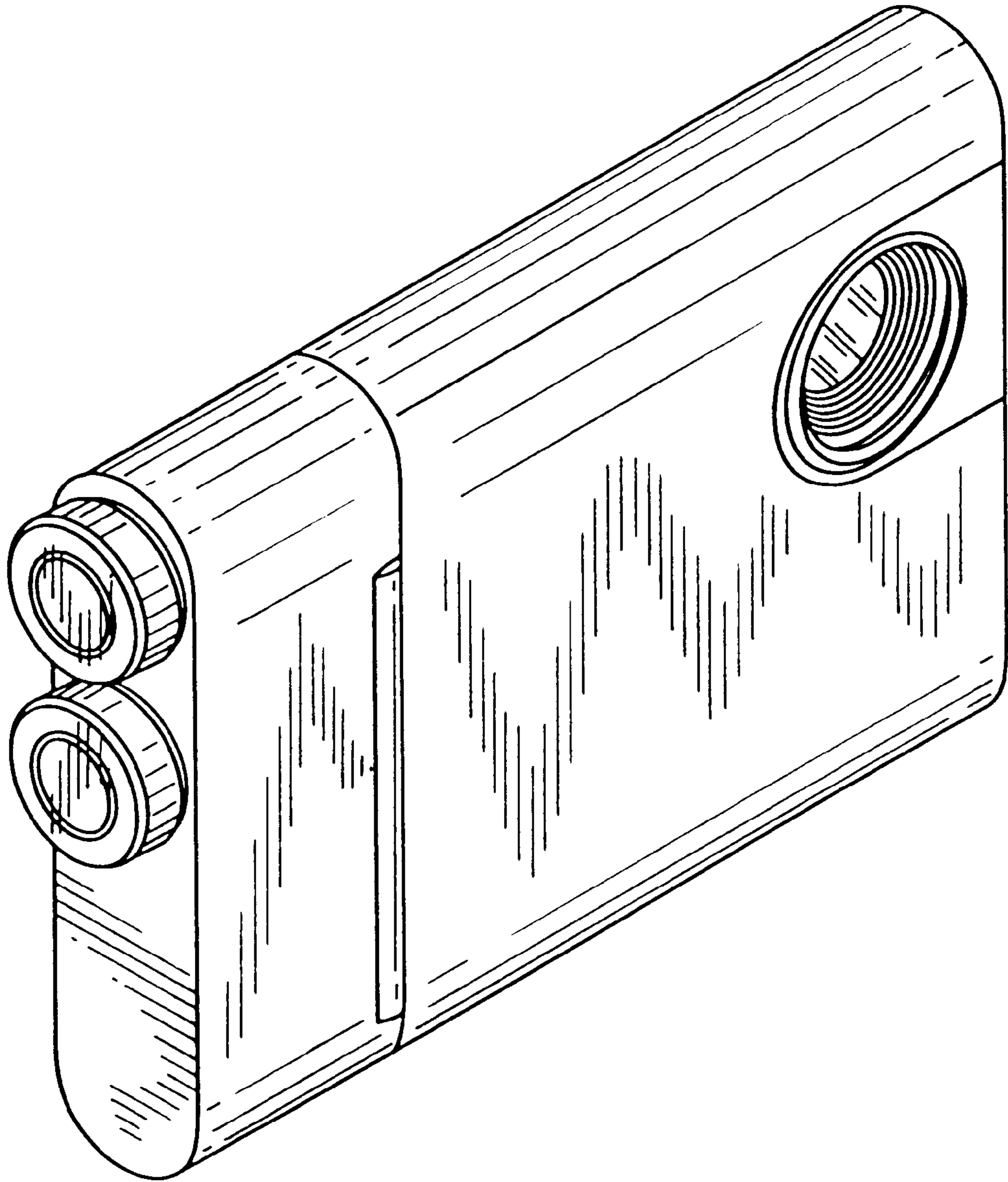


FIG. 1

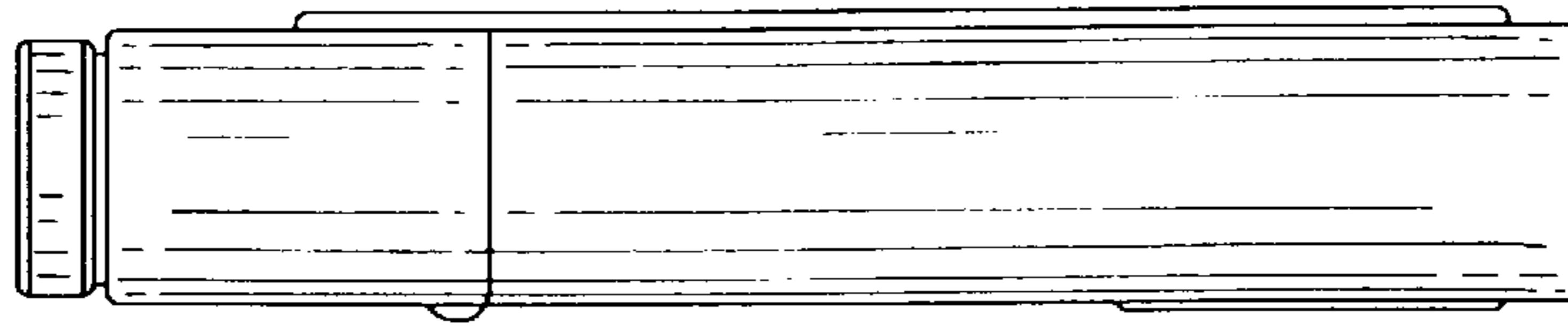


FIG. 2

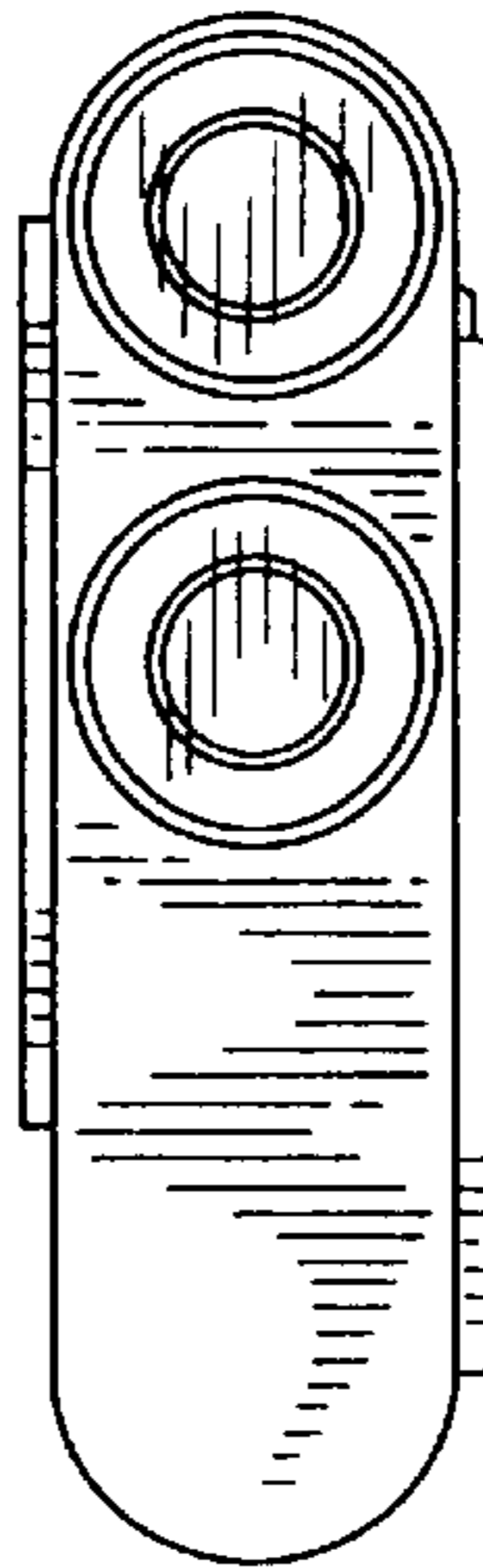


FIG. 3

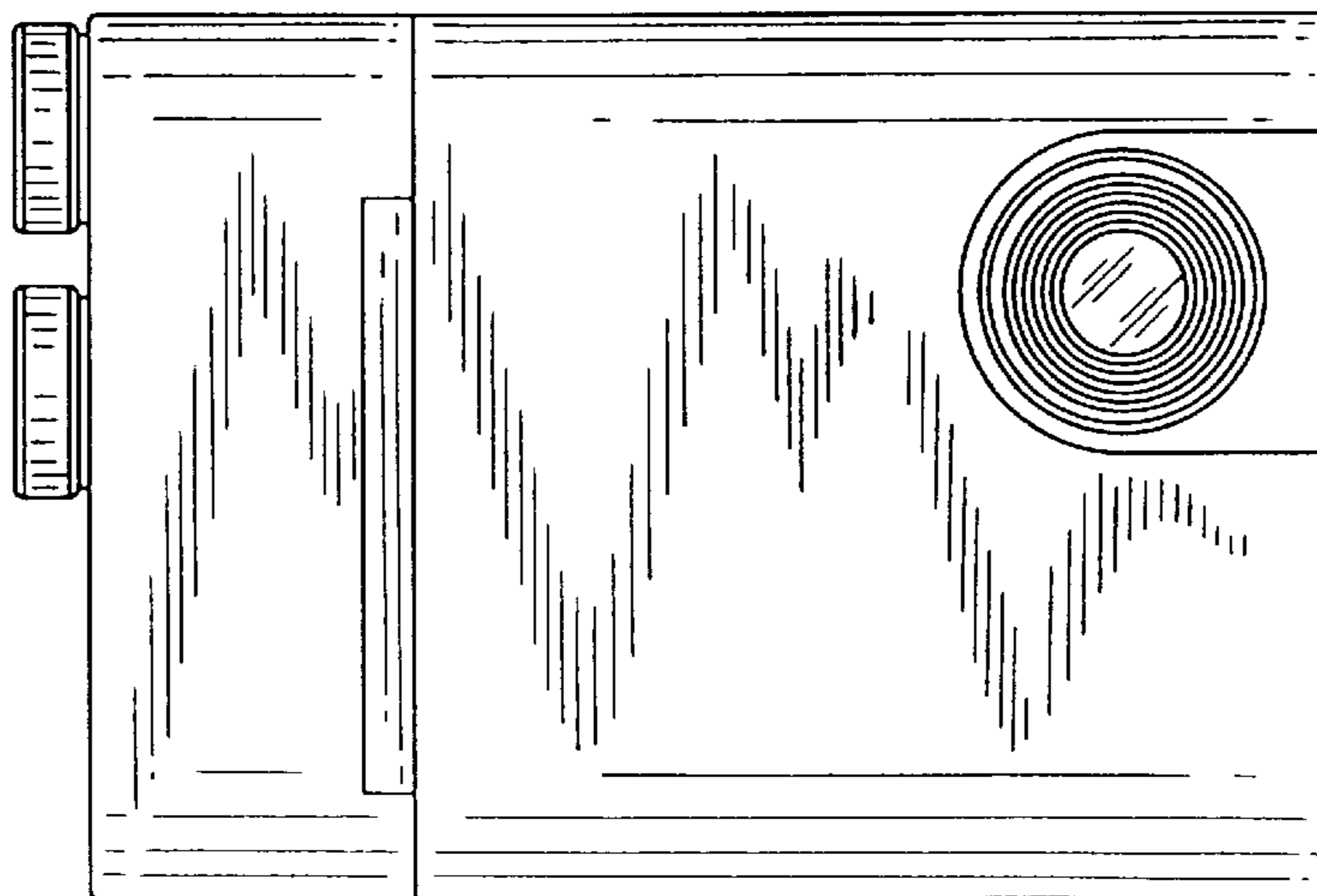


FIG. 4

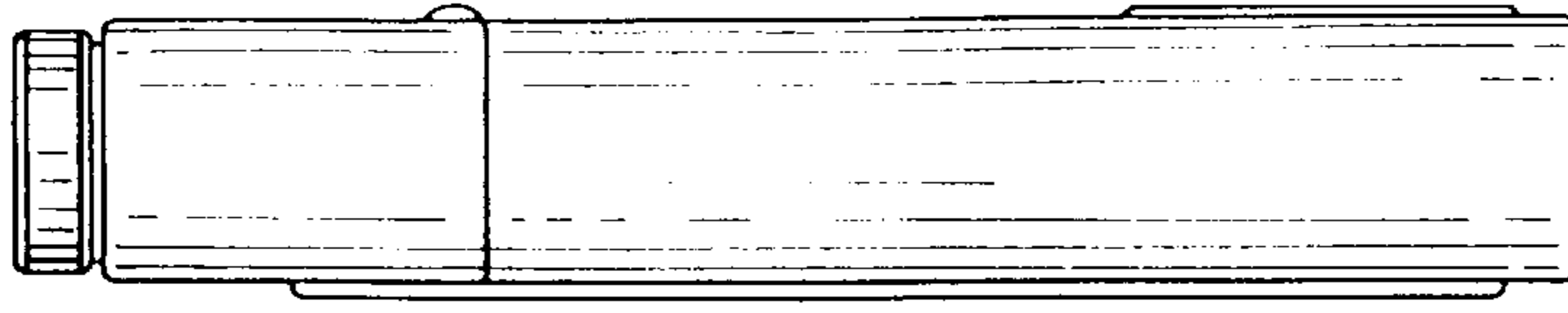


FIG. 5

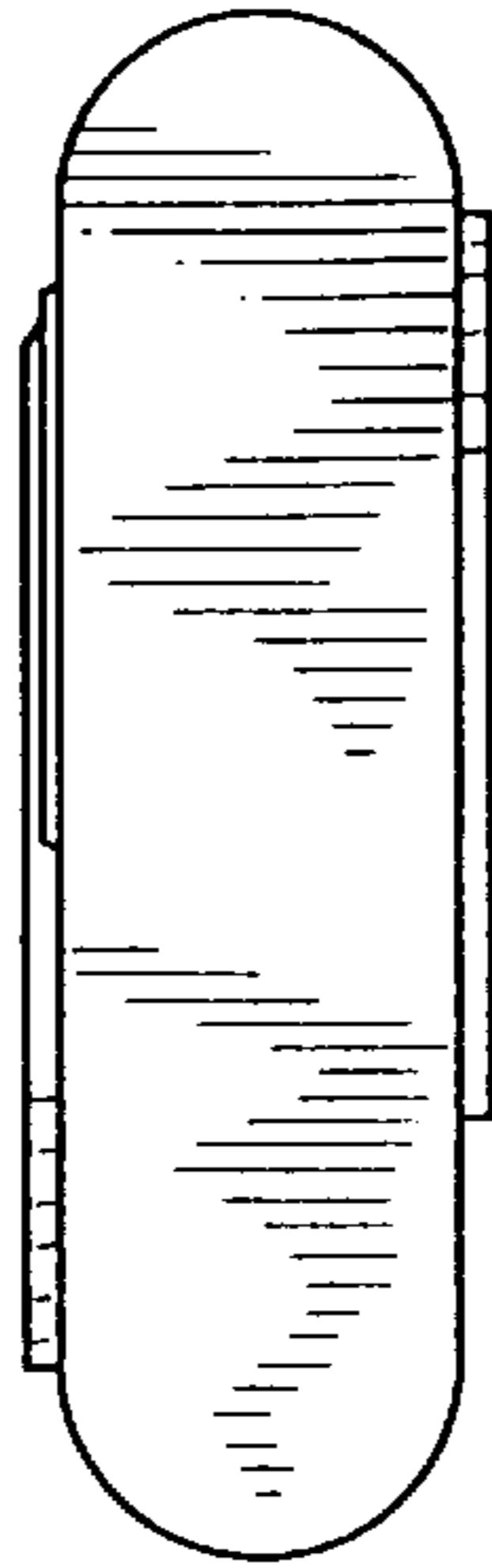


FIG. 6

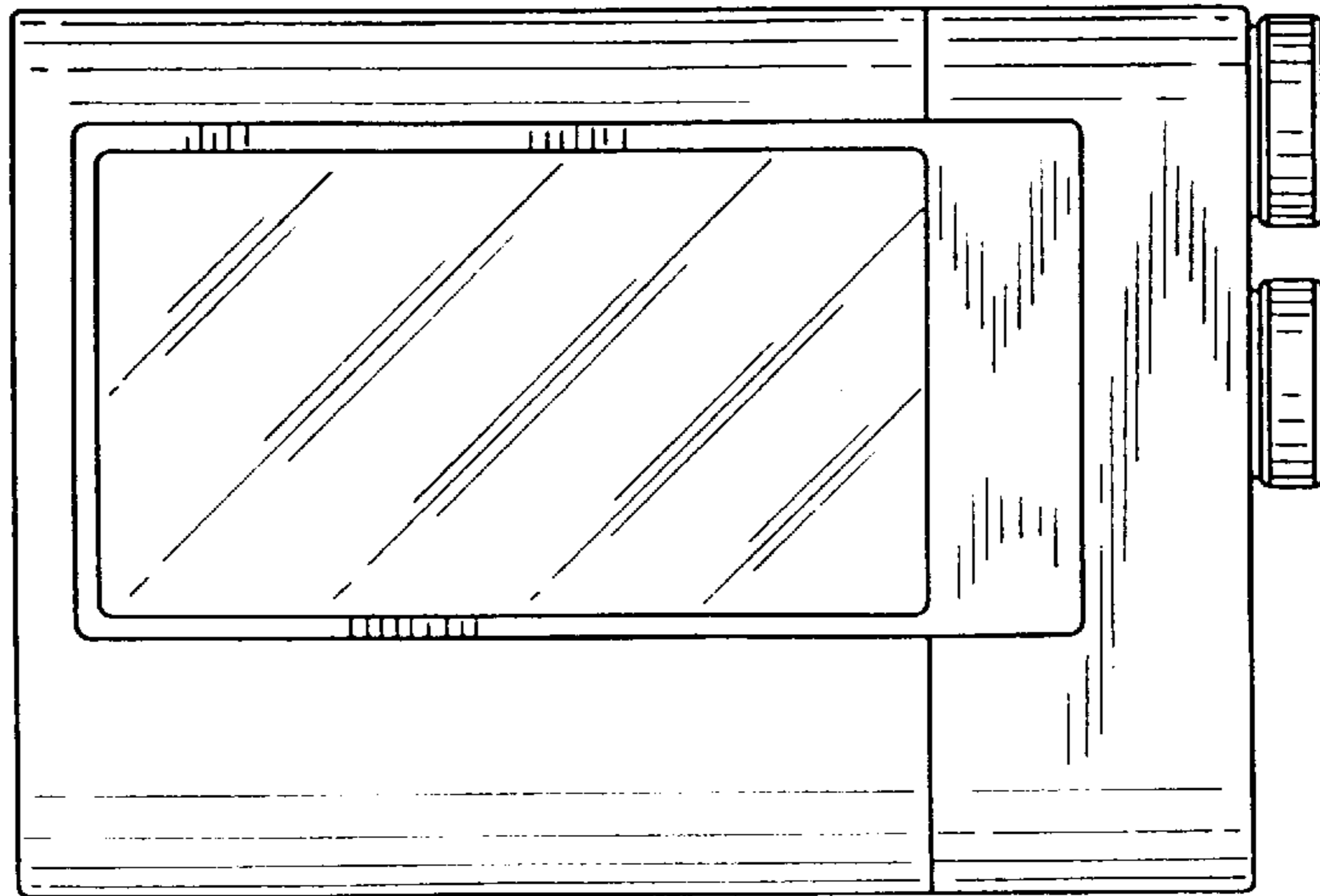


FIG. 7