



US00D410662S

# United States Patent [19]

Harata

[11] Patent Number: **Des. 410,662**

[45] Date of Patent: **\*\* Jun. 8, 1999**

[54] **COMBINED VIDEO TAPE RECORDER AND CAMERA**

[75] Inventor: **Tomohiro Harata**, Tokyo, Japan

[73] Assignee: **Sony Corporation**, Tokyo, Japan

[\*\*] Term: **14 Years**

[21] Appl. No.: **29/075,349**

[22] Filed: **Aug. 25, 1997**

[30] **Foreign Application Priority Data**

Feb. 24, 1997 [JP] Japan ..... 9-5154

[51] **LOC (6) Cl.** ..... **16-01**

[52] **U.S. Cl.** ..... **D16/202**

[58] **Field of Search** ..... D16/200-208;  
348/373-376; 352/242, 243; 358/906; 396/535-543

[56] **References Cited**

**U.S. PATENT DOCUMENTS**

D. 375,107	10/1996	Ishii	.....	D16/202
D. 375,318	11/1996	Ishii	.....	D16/202
D. 384,085	9/1997	Harata	.....	D16/202
5,499,052	3/1996	Nakanishi et al.	.....	348/373

**OTHER PUBLICATIONS**

Catalog, "Hi8 Handycam TRV 91" *Sony* (Mar. 1996).

Catalog, "Hi8 Handycam TRV91 and Hi8 Handycam SC55" *Sony* (Jun. 1996).

Catalog, "Hi8 Handycam TRV91 and Hi8 Handycam TRV101" *Sony* (Sep. 1996).

*Primary Examiner*—Adir Aronovich  
*Attorney, Agent, or Firm*—Foley & Lardner

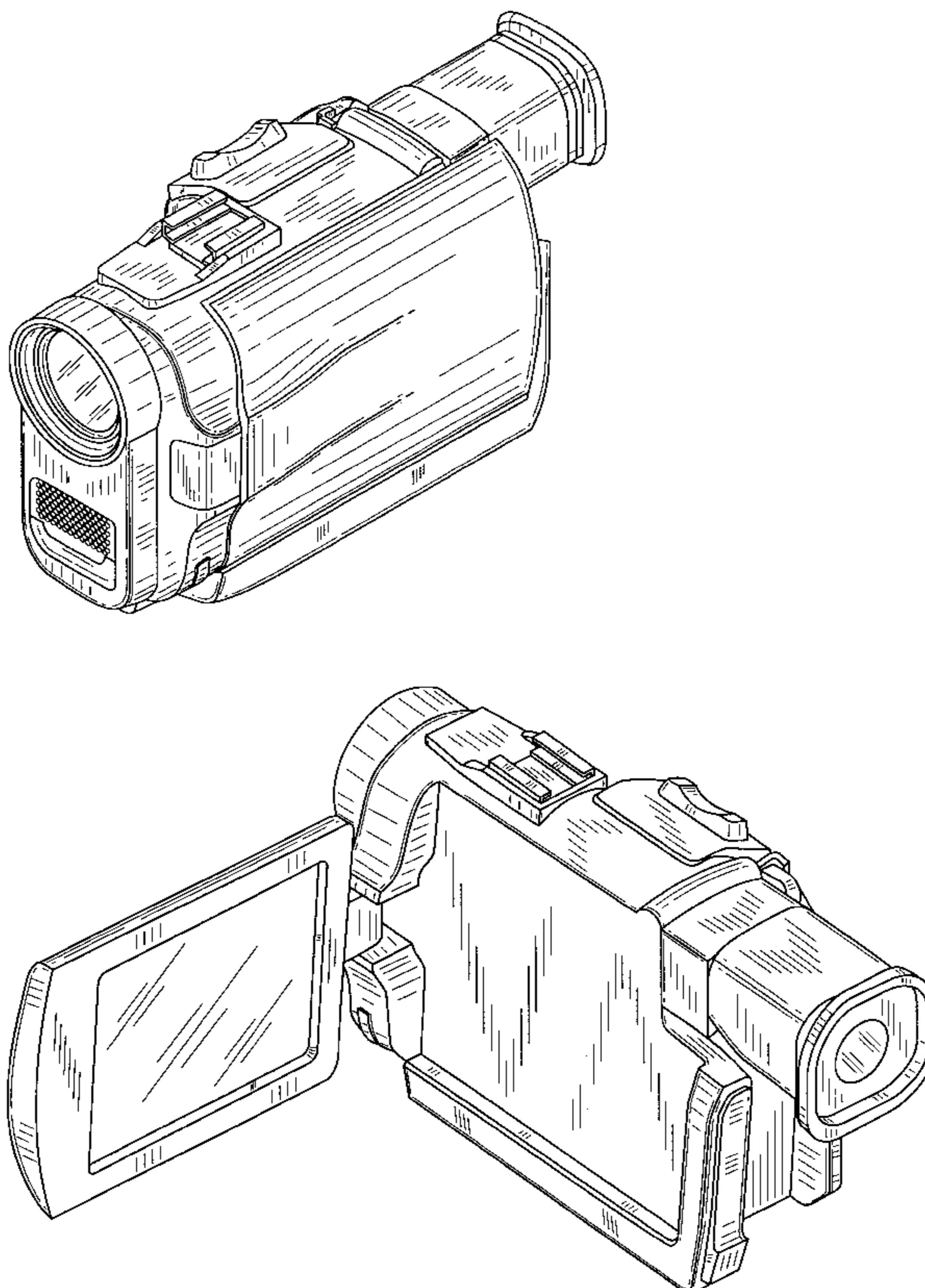
[57] **CLAIM**

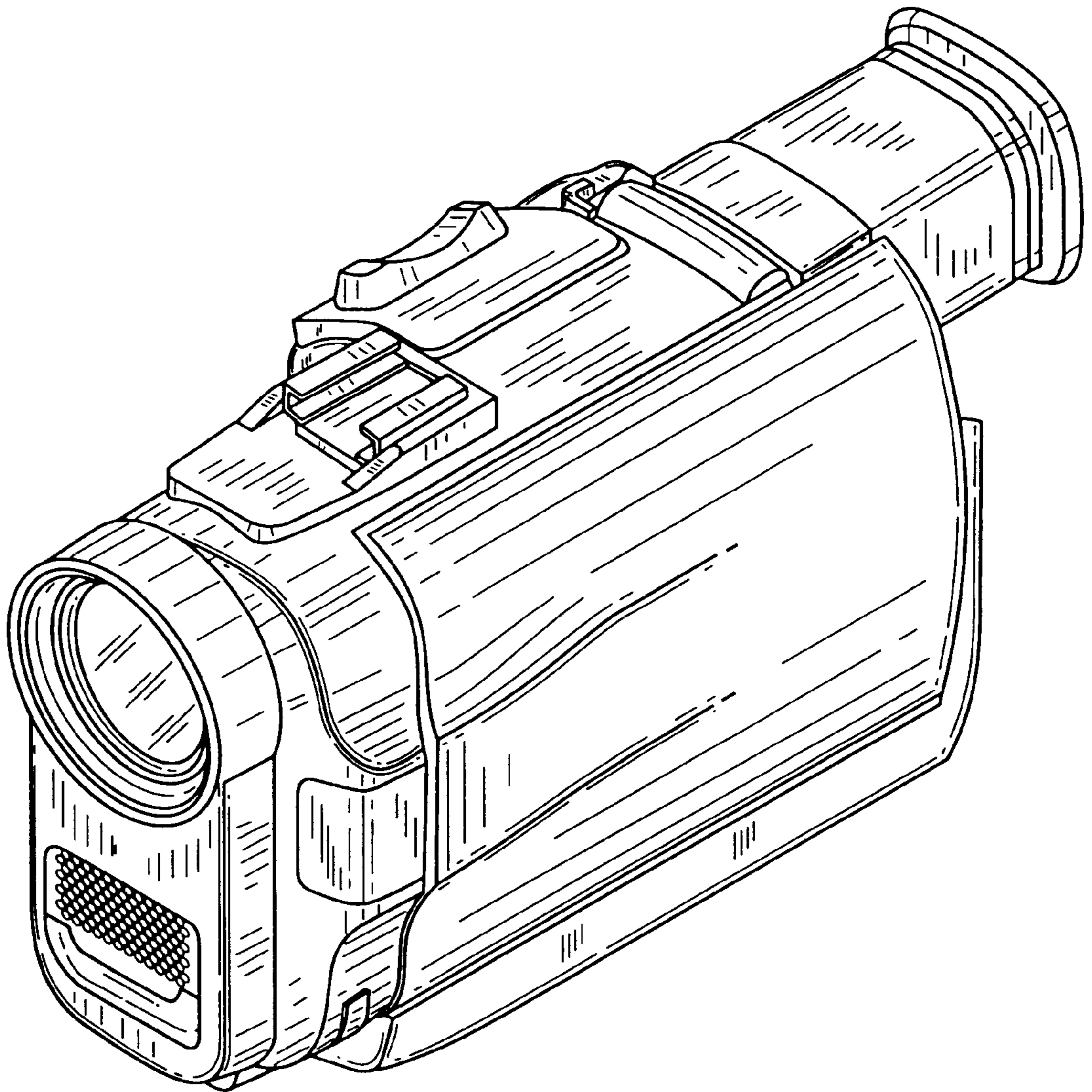
The ornamental design for a combined video tape recorder and camera, as shown and described.

**DESCRIPTION**

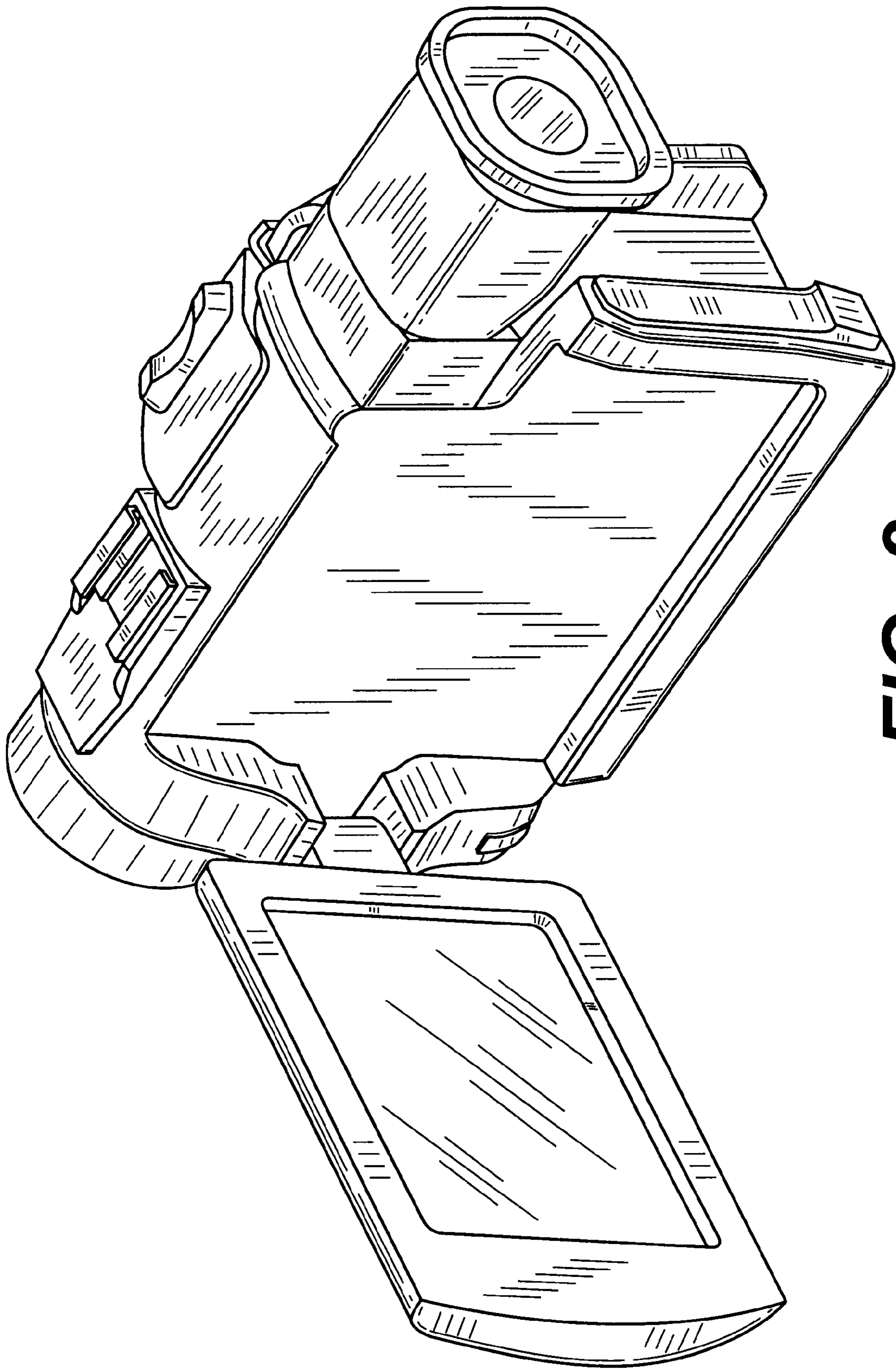
FIG. 1 is a top, front perspective view of a video camera combined with video tape recorder showing my new design; FIG. 2 is a top, rear perspective view thereof the viewing screen shown in an extending away position; FIG. 3 is a top, rear perspective view thereof, the viewing screen shown in the first alternate position; FIG. 4 is a top, rear perspective view thereof, the viewing screen shown in the second alternate position; FIG. 5 is a top, rear perspective view thereof, the viewing screen shown in the third alternate position; FIG. 6 is a top plan view of FIG. 1; FIG. 7 is a left side elevational view thereof; FIG. 8 is a front elevational view thereof; FIG. 9 is a right side elevational view thereof; and, FIG. 10 is a rear elevational view thereof.

**1 Claim, 7 Drawing Sheets**

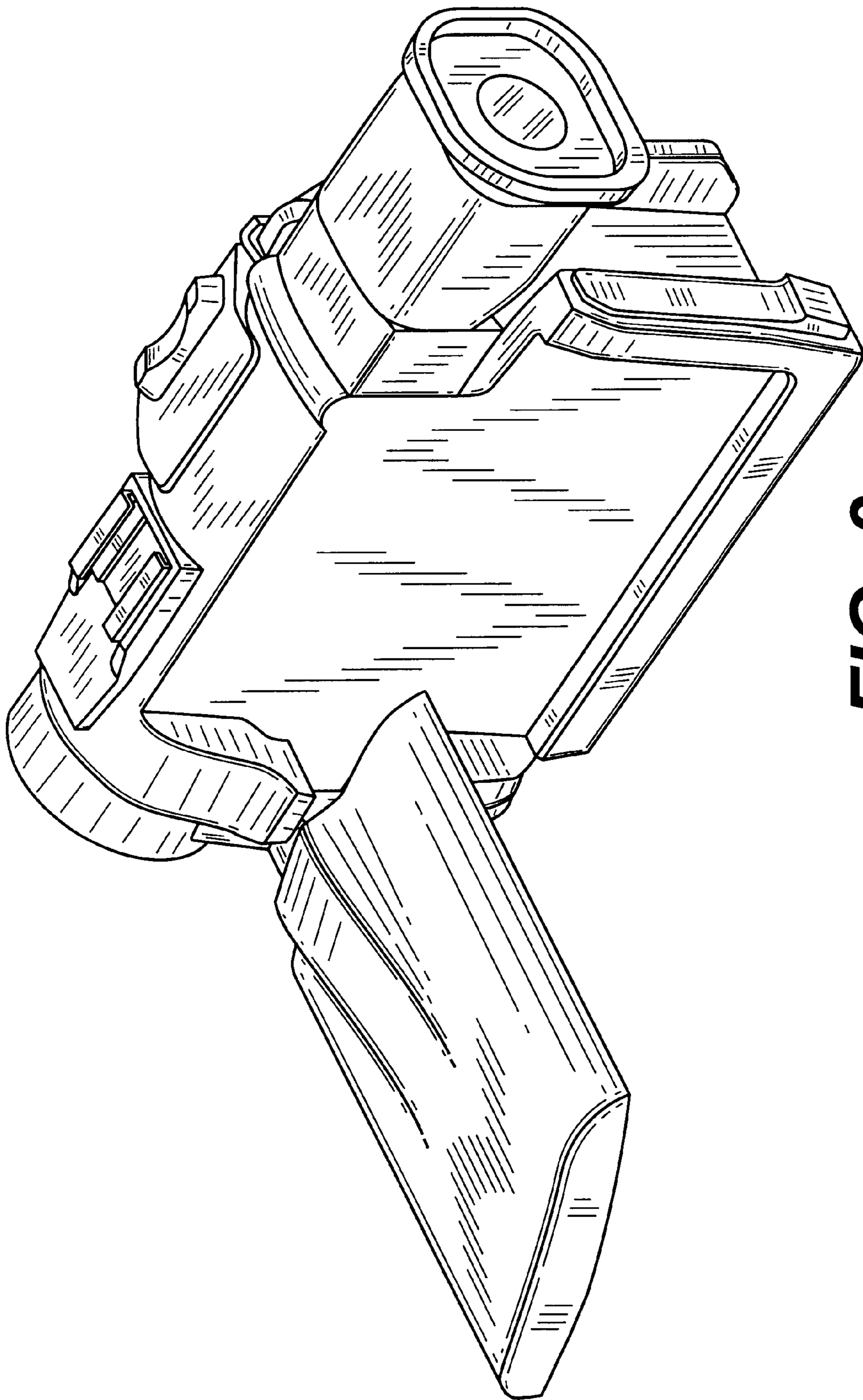




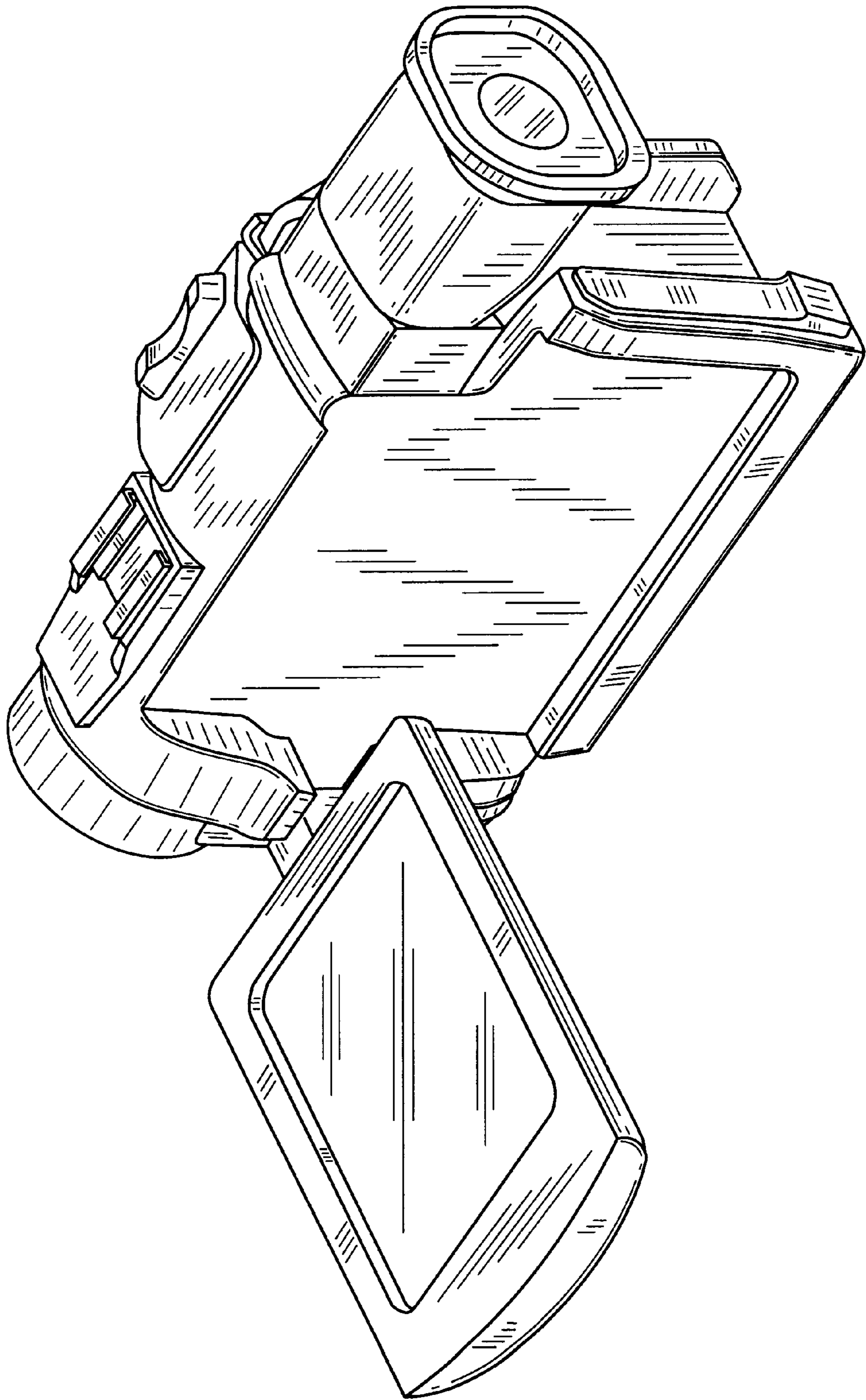
**FIG. 1**



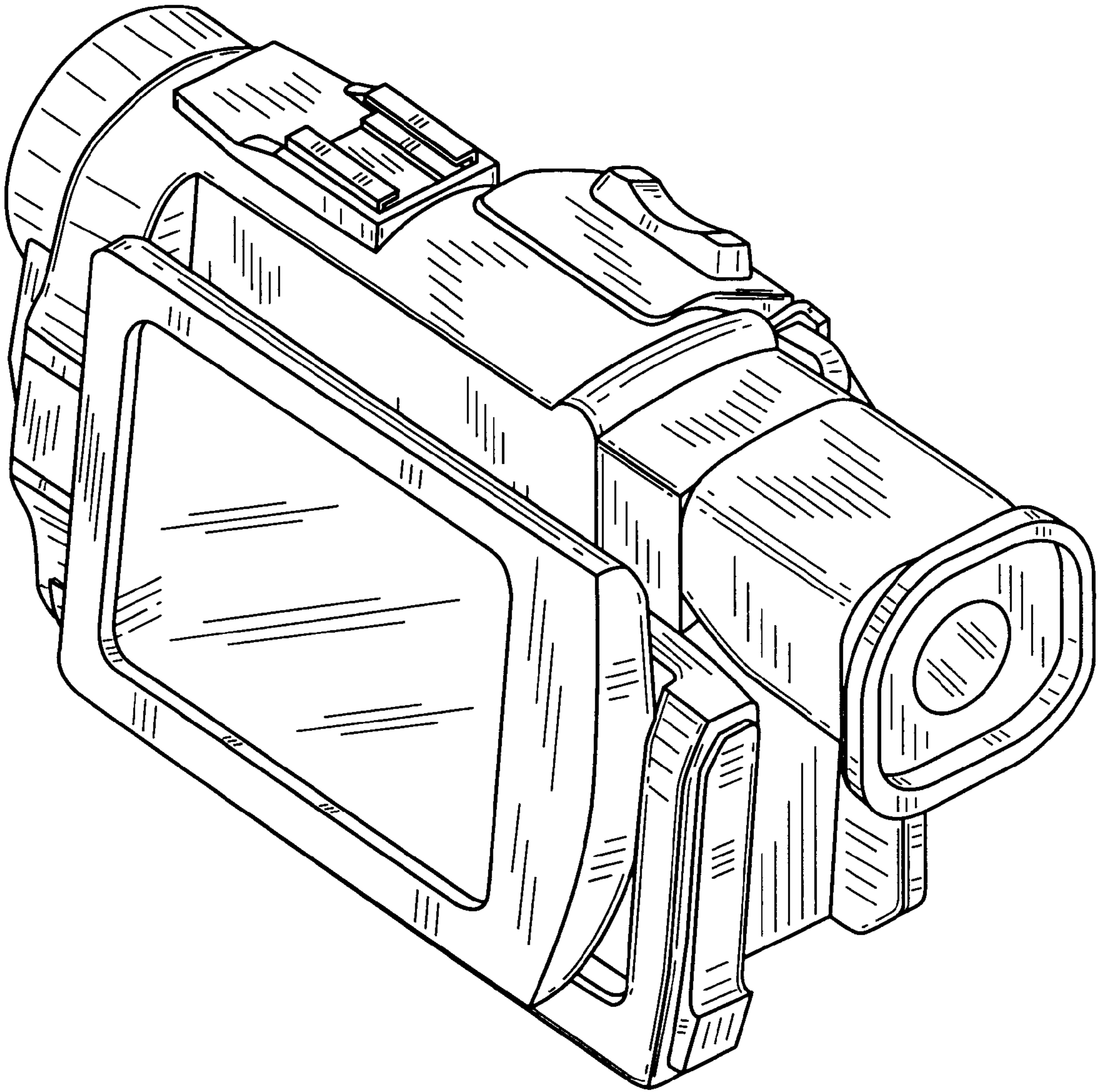
**FIG. 2**



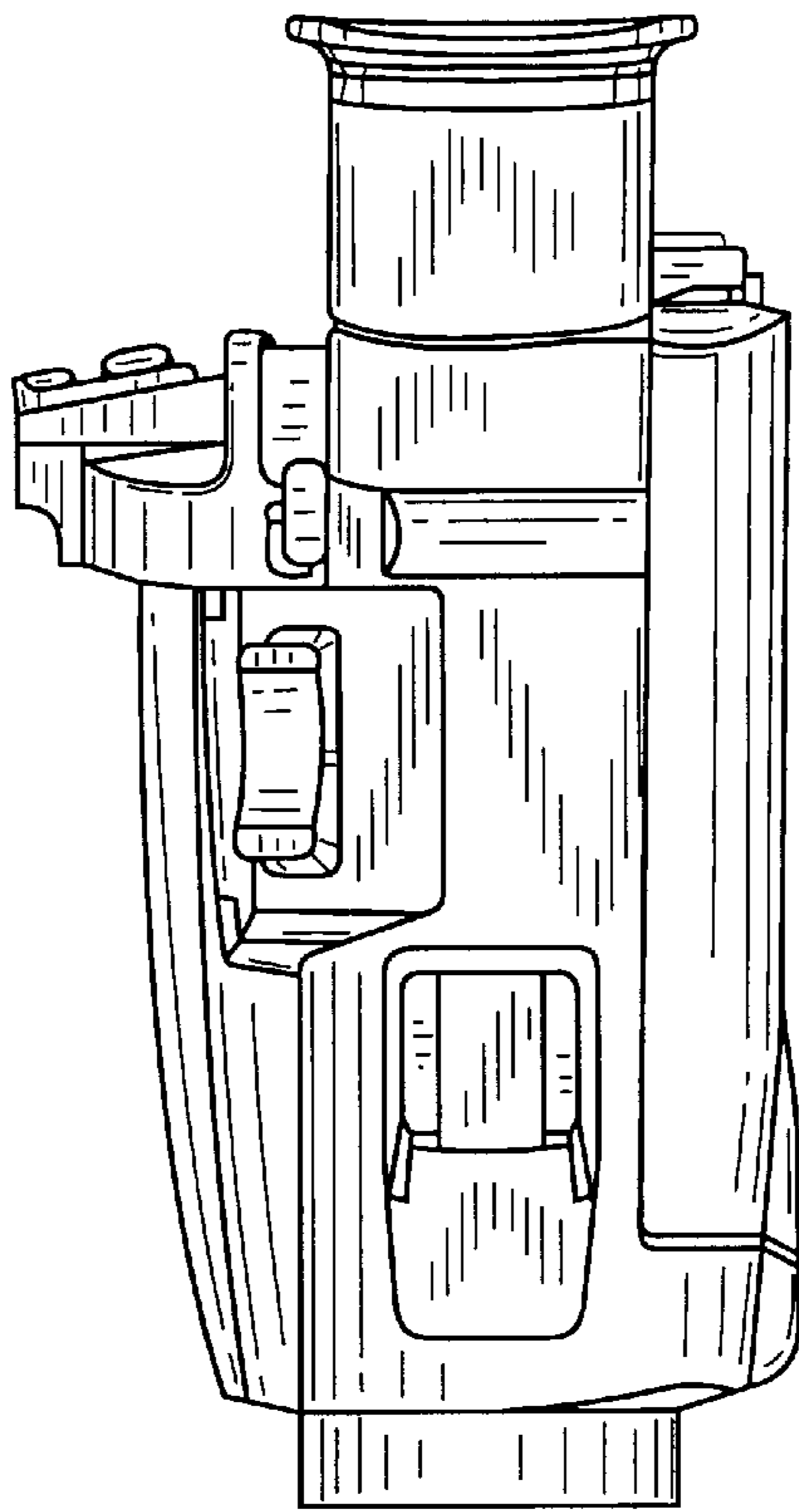
**FIG. 3**



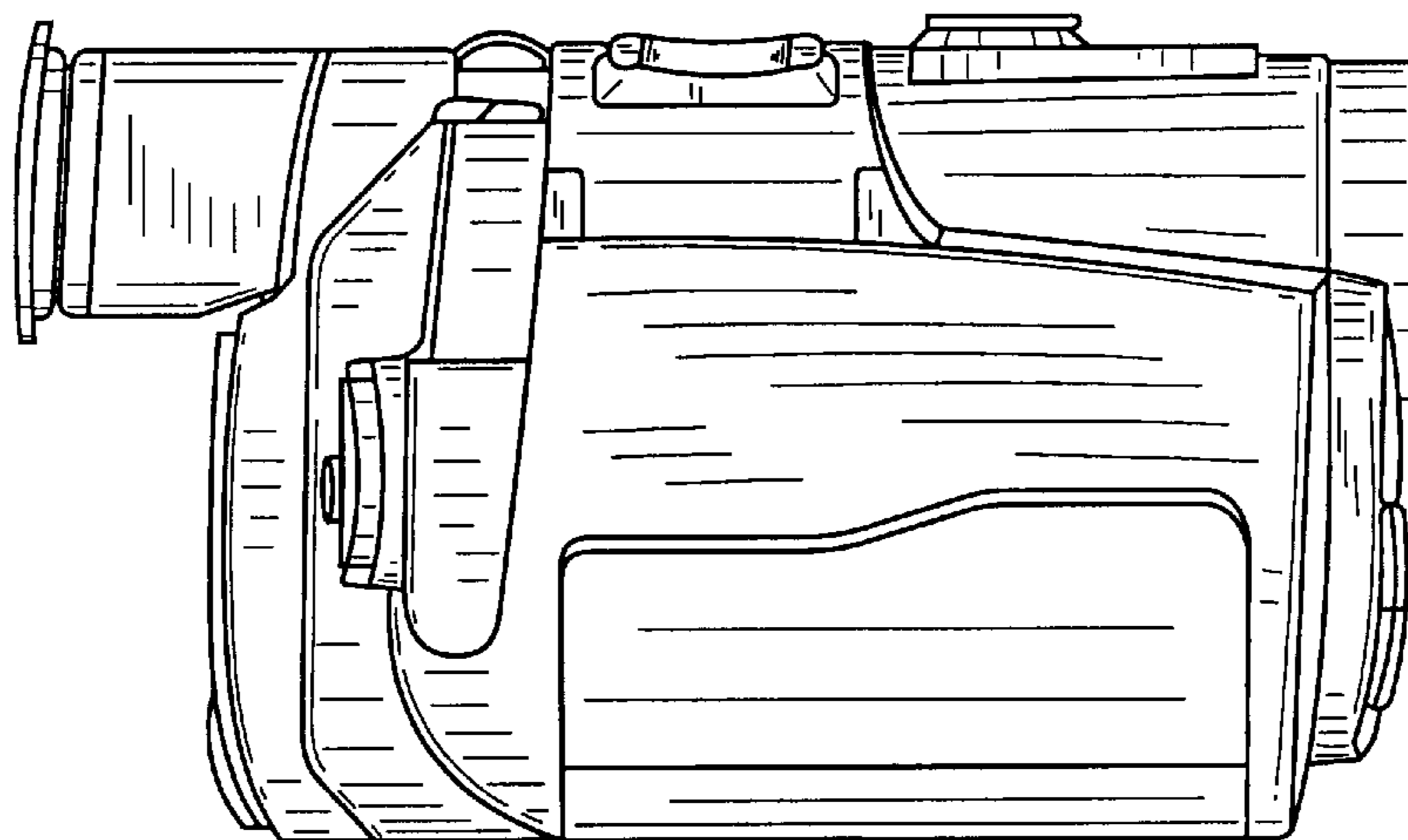
**FIG. 4**



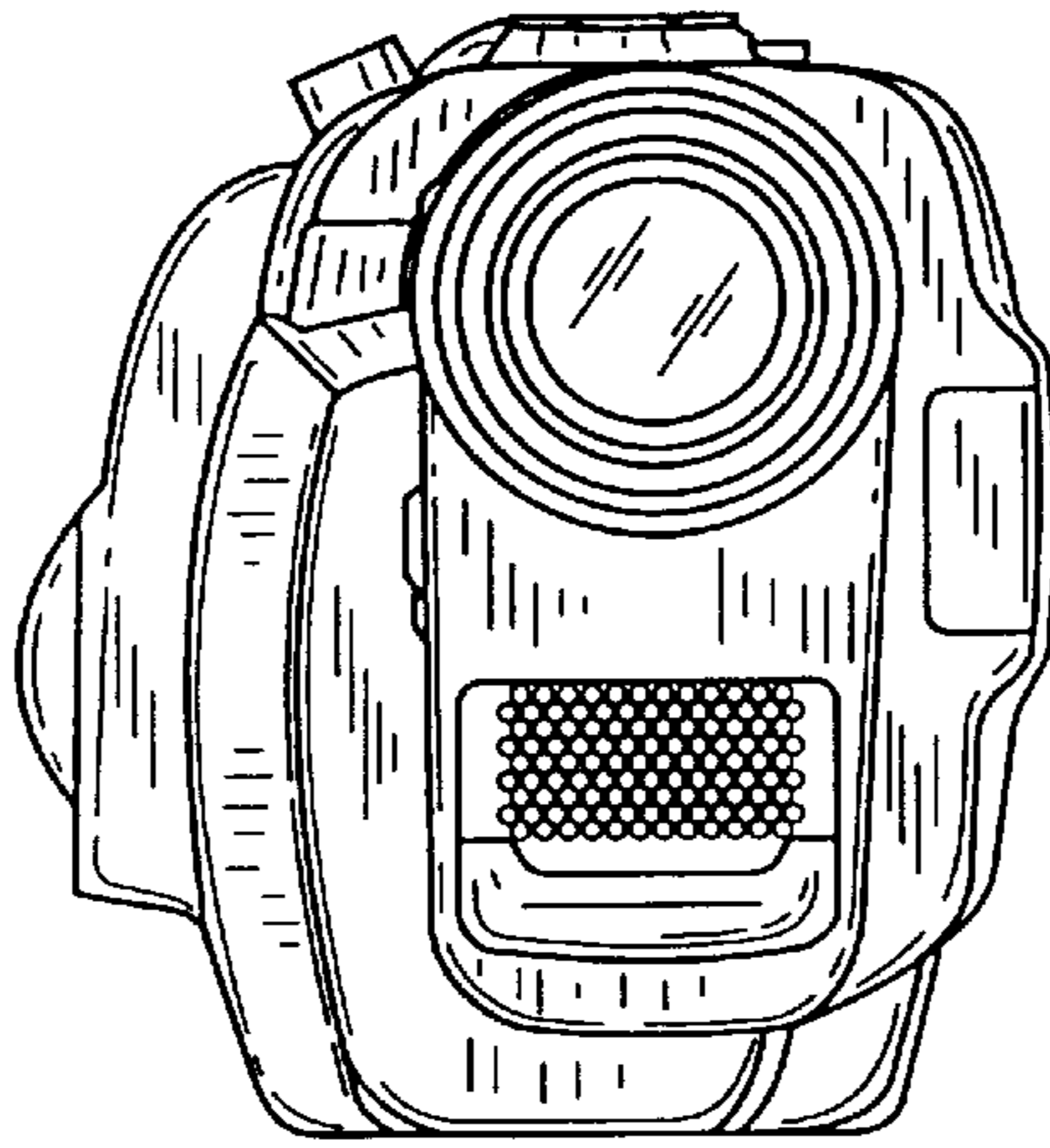
**FIG. 5**



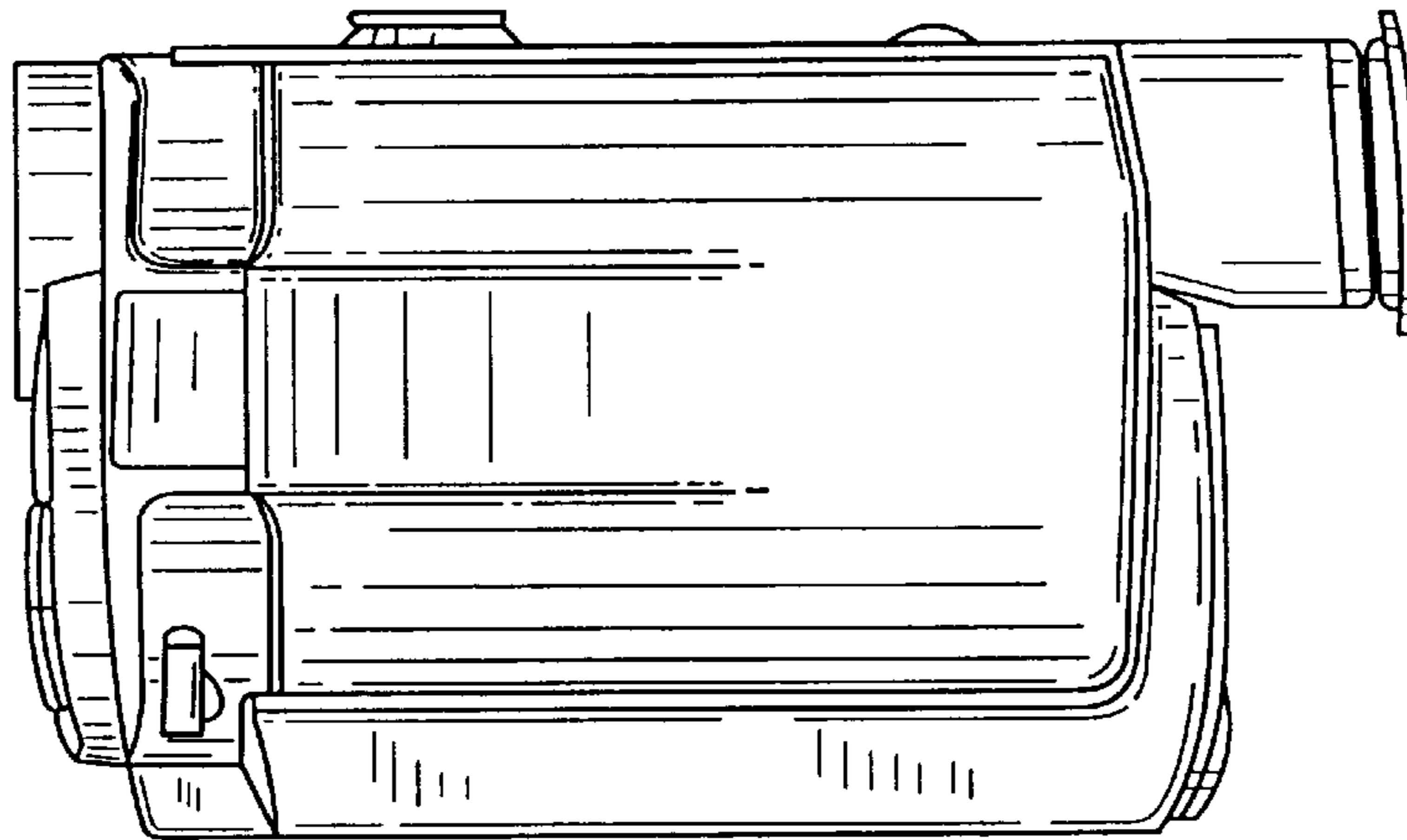
**FIG. 6**



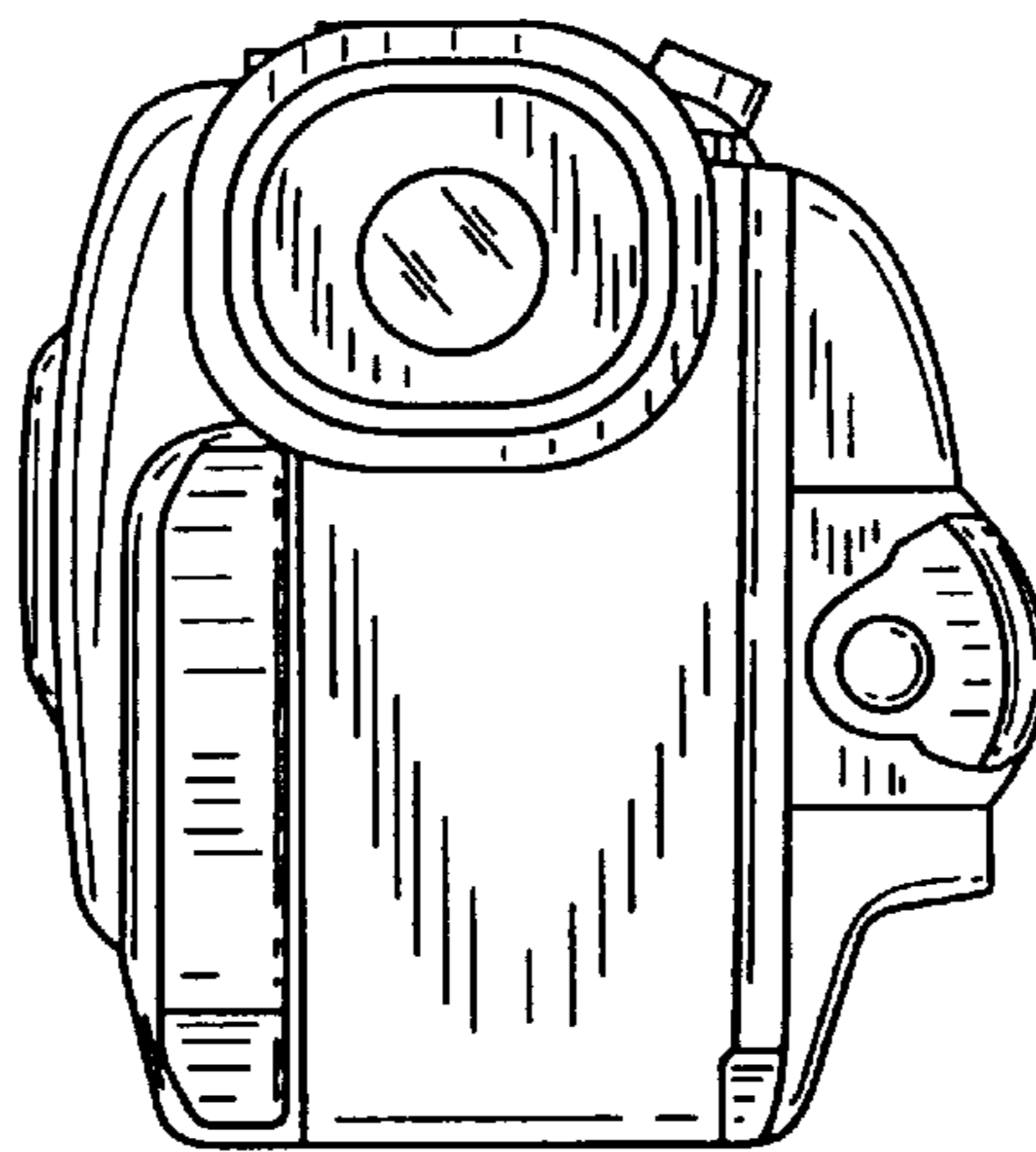
**FIG. 7**



**FIG. 8**



**FIG. 9**



**FIG. 10**